

# CXA-0217

## Dimming/Connector Type

### Features

- 2-output
- UL60950 approved
- Applicable panel size\*: 10 to 15 inches
- With brightness control function (A current system).
- In the high-voltage generator (a terminal and a pattern), an anti-dust measure by silicone application is taken.  
(Notice) Applicable panel size becomes a standard.

### Applications



## CXA-0217 Specifications (Please refer to each specification before use)

### Electrical Characteristics

Item	Unit	Symbol	Specification			Condition					Remark
			min	typ	max	Vin(V)	Vrmt(V)	Vbr(V)	Ta(°C)	RL(kΩ)	
Output Current	mA	Iout (Maximum dimmer)	5.5	6.0	6.5	12±1.2	5	0	0 to +70	95	(*1)
			5.3	6.0	6.7	12±2.4	5	0	0 to +70	76 to 114	(*1)
		Iout (Minimum dimmer)	1.7	2.0	2.4	12±1.2	5	3.4	0 to +70	250	(*1)
			1.65	2.0	2.45	12±2.4	5	3.4	0 to +70	250	(*1)
Input Current	A	Iin1	-	0.76	1.2	12±1.2	5	0	0 to +70	76 to 114	
	A	Iin2	-	0.76	1.3	12±2.4	5	0	0 to +70	76 to 114	
Frequency	kHz	Freq	52	58	64	12±2.4	5	0	0 to +70	95	
Open Circuit Voltage	Vrms	Vopen	1400	1500	2000	9.6min.	5	0 to 3.4	0 to +70	∞	Open load

(\*1) Please refer to the connection diagram for details of a dimming method.

### Other Specifications

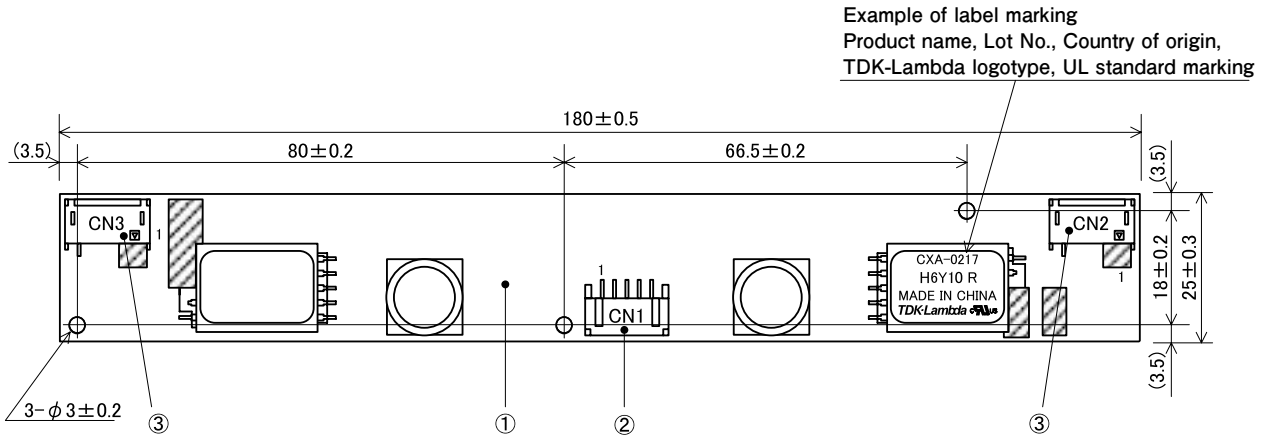
Dimming Function		Yes
Operating Temperature	°C	0 to +70
Storage Temperature	°C	-30 to +85
Operating Humidity Ratio	RH%	95Max
Safety Standard		UL60950
Weight	g	30
Dimensions(WxDxH)	mm	180x25x8 (*2)
Fused Input		Yes
Remote ON / OFF		Yes
Alarm Signal Function		No
Shutdown Function		No
Silicone Coating on High Voltage Area		Yes

(\*2) These dimensions are indicated the maximum only H. Others are typical values.

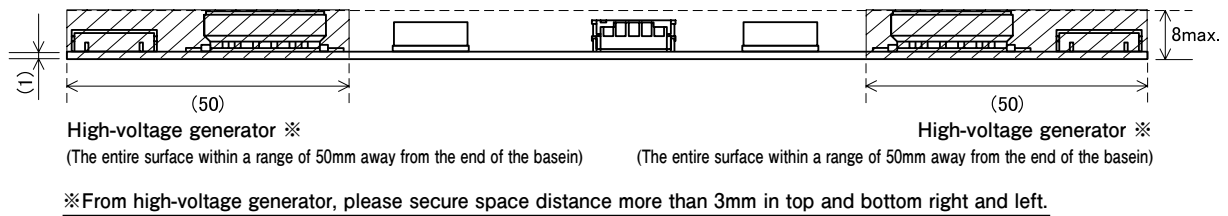
### Conformity to RoHS Directive

This means that, in conformity with EU Directive 2002/95/EC, lead, cadmium, mercury, hexavalent chromium, and specific bromine-based flame retardants, PBB and PBDE, have not been used, except for exempted applications.

# Outline Drawing



Oblique line portion in the upper figure shows silicone coating position.



unit:mm

### Connector

Connector number	Part number	Model/Material	Quantity	Remarks	Recommended applicable connector
①	Printed circuit board PCB	Composite (CEM-3)	1	UL94V-0 t=1.0	—
②	Input connector CN1	S5B-PH-SM4-TB(LF)(SN)	1	JST Mfg. Co., Ltd.	PHR-5
③	Output connector CN2,CN3	SM02 (8.0) B-BHS-1-TB (LF)(SN)	2	JST Mfg. Co., Ltd.	BHR-03VS-1

### Terminal Numbers And Functions

#### Input side CN1

Terminal number	Symbol	Rated voltage	Remarks
CN1-1	V <sub>in</sub>	12±2.4V	Power input
CN1-2	GND	0V	Ground
CN1-3	V <sub>br</sub>	0 to 3.4V	Dimmer terminal
CN1-4	N.C.	N.C.	
CN1-5	V <sub>rmt</sub>	5V	Remote terminal 0 to 0.4V : OFF 5 to 7V : ON

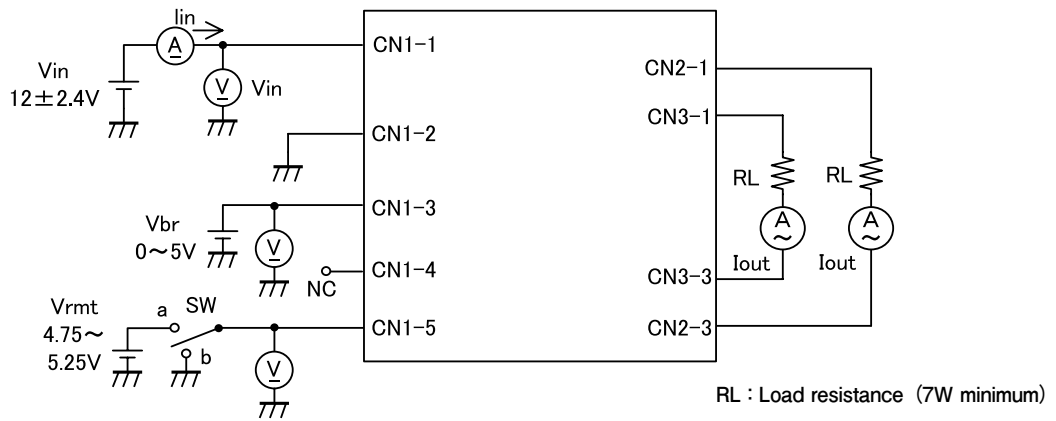
#### Output side CN2

Terminal number	Symbol	Rated voltage	Remarks
CN2-1	V <sub>HIGH1</sub>	660Vrms	Output 1
CN2-3	V <sub>LOW1</sub>	(2V)	Output 1 return

#### Output side CN3

Terminal number	Symbol	Rated voltage	Remarks
CN3-1	V <sub>HIGH2</sub>	660Vrms	Output 2
CN3-3	V <sub>LOW2</sub>	(2V)	Output 2 return

# Connections



CN1-3 has served as dimmer ability and a remote function, and operates it as follows by changing Vbr.

Vbr	Unit operation
0 to 3.4V	Operation (Maximum brightness on 0V, Minimum brightness on 3.4V)
4.75 to 7.0V	Operation stopped (Vrmt=5±0.25V)