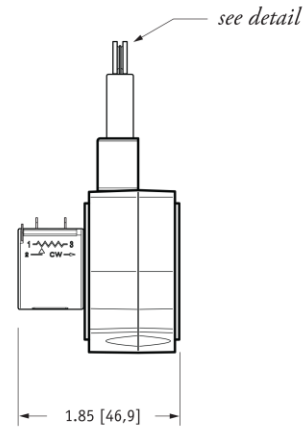
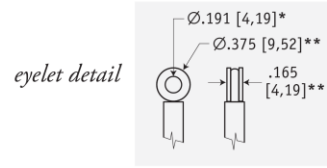
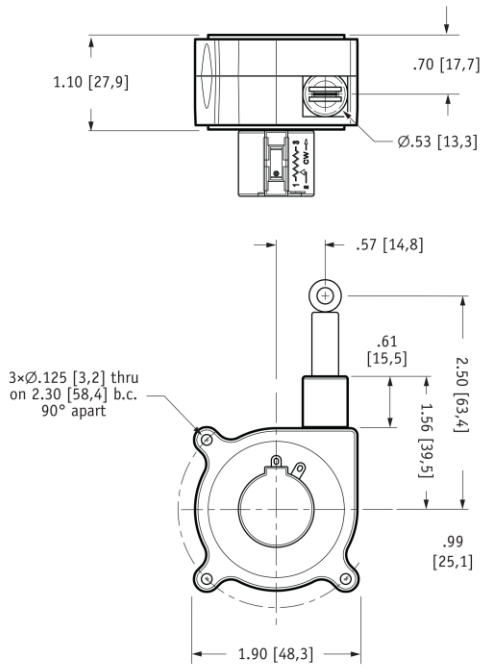


**SP1**

Compact String Pot • Voltage Divider Output

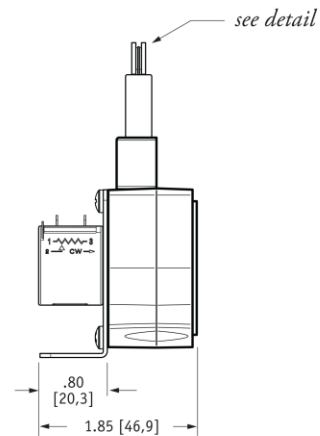
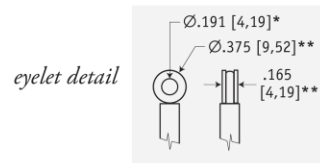
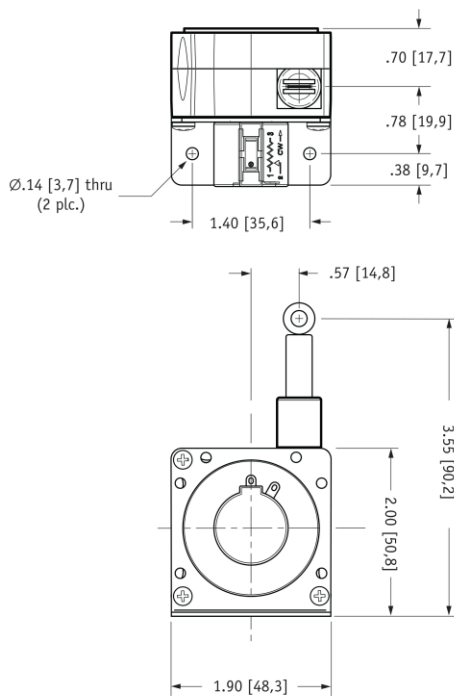
SP1-xx w/o Mounting Bracket



DIMENSIONS ARE IN INCHES [MM]  
tolerances are 0.04 IN. [1,0 MM] unless otherwise noted.

\* tolerance =  $+0.005 -0.001$  [+0,1 -0,0]  
\*\* tolerance =  $+0.005 -0.005$  [+0,1 -0,1]

SP1-xx w/ Mounting Bracket



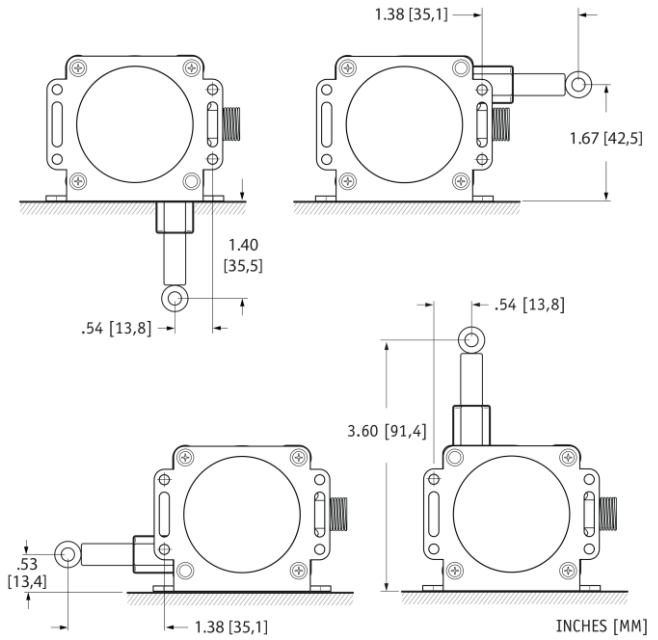
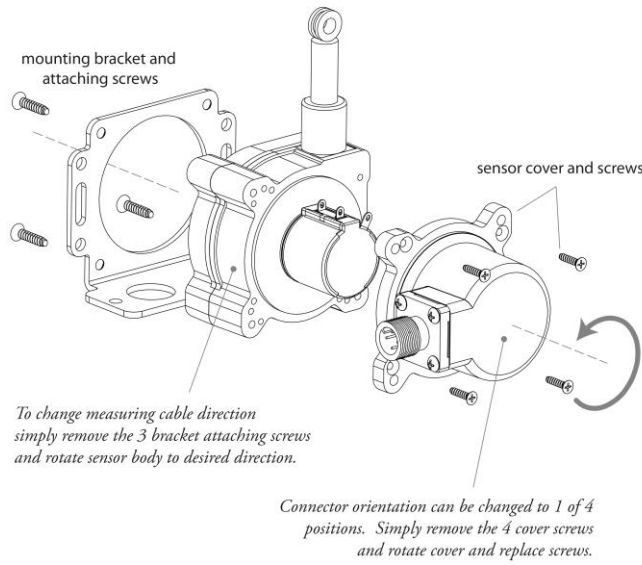
DIMENSIONS ARE IN INCHES [MM]  
tolerances are 0.04 IN. [1,0 MM] unless otherwise noted.

\* tolerance =  $+0.005 -0.001$  [+0,1 -0,0]  
\*\* tolerance =  $+0.005 -0.005$  [+0,1 -0,1]

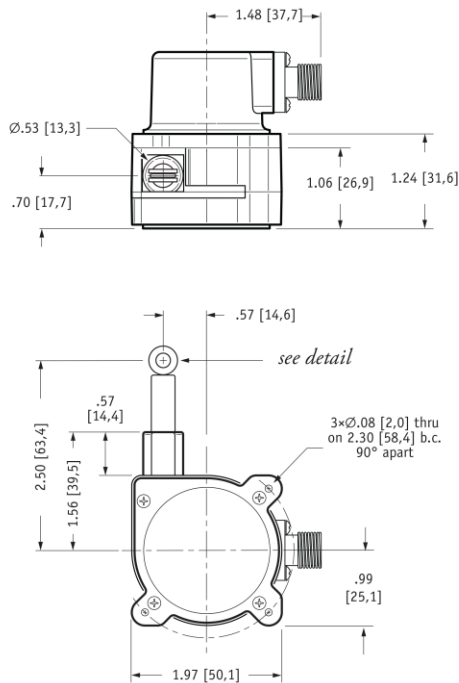
# SP1

Compact String Pot • Voltage Divider Output

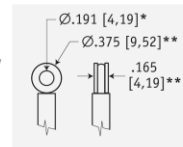
## Mounting Options for SP1-xx-3



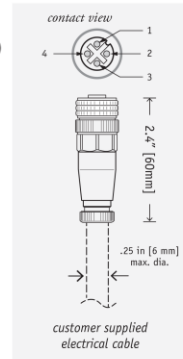
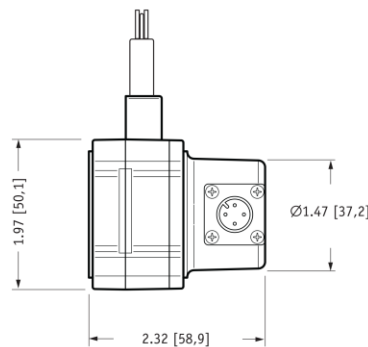
## SP1-xx-3 w/o Mounting Bracket



eyelet detail



mating plug (included)



DIMENSIONS ARE IN INCHES [MM]  
tolerances are 0.04 IN. [1,0 MM] unless otherwise noted.

\* tolerance = +.005 -.001 [+0,1 -0,0]  
\*\* tolerance = +.005 -.005 [+0,1 -0,1]