

**PROFIBUS-DP - connectors (M12, Sub-D)**

**PROFIBUS Sub-D Connector with tension clamp connection (35°)**

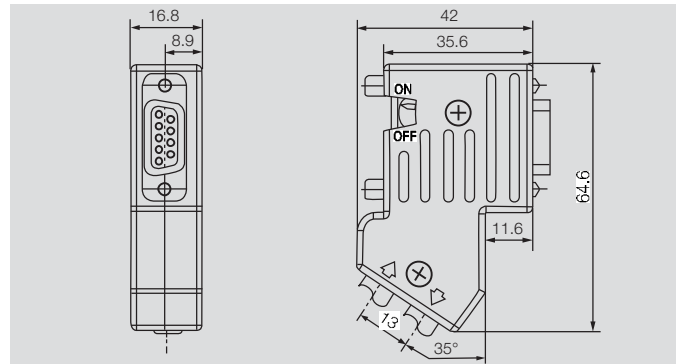
The new Sub-D Family from Weidmüller offers a fully shielded version.

**Special features:**

- Completely shielded housing
- Compact design for use in small spaces

**PB-DP SUB-D ZF35TERM**

PROFIBUS-Connector 35° with switch, without programming connector



**Technical data**

Data rate	acc. to PROFIBUS Specification, 12Mbit/s
Connector pinning	acc. to PROFIBUS Specification
PROFIBUS DP connector	D-Sub 9-polig, male
PROFIBUS DP program connector	D-Sub 9-polig, female
PROFIBUS cable connector	Tension clamp
Mechanical lifetime	200 mating cycles
Temperature range	-20 °C to +70 °C
Humidity	Max. 75 % at +25 °C, non condensing
Ingress protection class	IP30
Housing material	ZnAl
D-Sub screw connection	UNC 4-40

**Note**

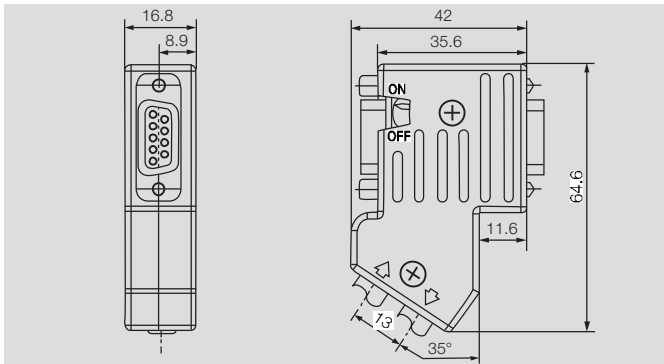
**Ordering data**

Type	Qty.	Order No.
PB-DP SUB-D ZF35TERM	1	1173220000

PROFIBUS Sub-D Connector with tension clamp connection (35°)

**PB-DP SUB-D ZF35TERM PS**

PROFIBUS-Connector 35° with switch, with programming connector



**Ordering data**

Type	Qty.	Order No.
PB-DP SUB-D ZF35TERM PS	1	1173240000