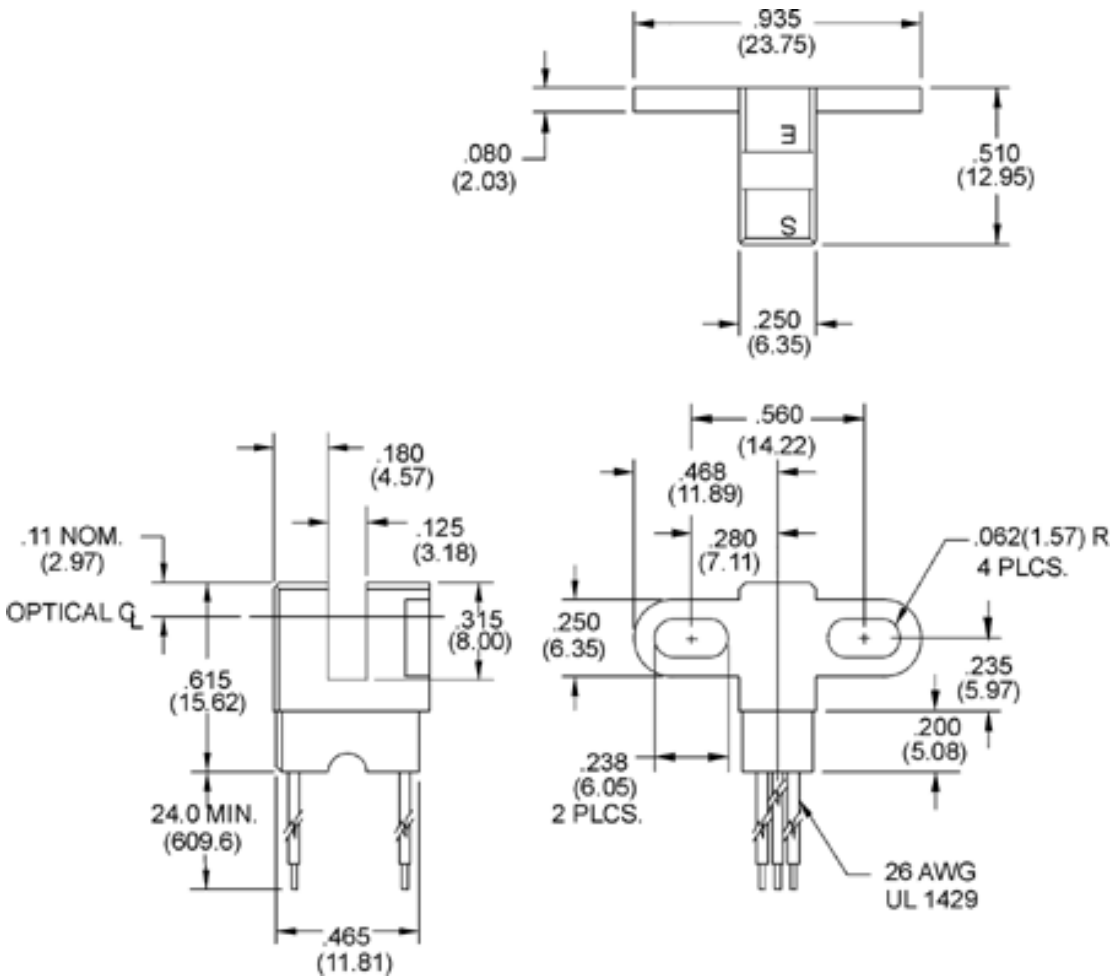


Duration of Output Short Vcc or Ground	1.0 second
IRED Trigger Current	10 mA
Comment	Output is LO when incident light intensity is above the turn-on threshold level.
Availability	Global
Product Name	Optoschmitt Sensor
Sensor Aperture	1,52 mm x 0,25 mm [0.060 in x 0.010 in]
Slot Width	3,18 mm [0.125 in]



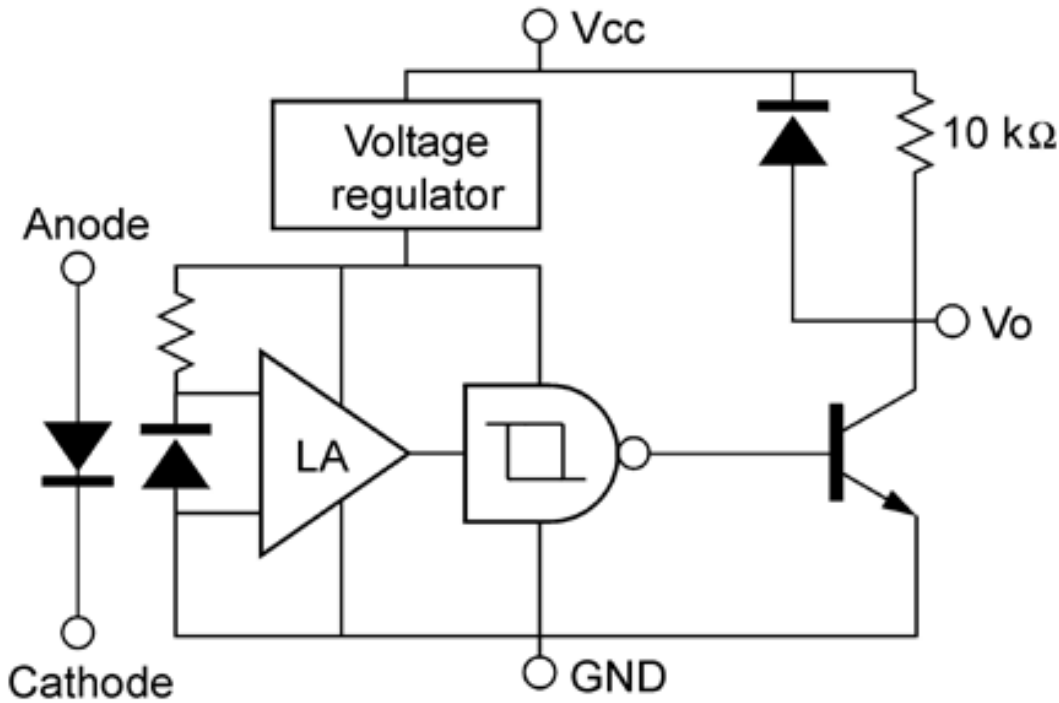
HOA2005-001

HOA Series Transmissive Optoschmitt Sensor, Transistor Output, Plastic Package



HOA2005-001

HOA Series Transmissive Optoschmitt Sensor, Transistor Output, Plastic Package



Honeywell

HOA2005-001

HOA Series Transmissive Optoschmitt Sensor, Transistor Output, Plastic Package

⚠ WARNING

PERSONAL INJURY

DO NOT USE these products as safety or emergency stop devices, or in any other application where failure of the product could result in personal injury.

Failure to comply with these instructions could result in death or serious injury.