

Multifunction programmable controllers

Racks

Selection, references

Dimensions :
page 42201/3

Selection

Standard racks

These racks have 11 slots of which 8 are reserved for the I/O modules. They are fitted with mechanical locating devices to avoid mistakes when installing or replacing a module. Two types of rack mounting are available :

- Rear mounting : these racks are rear mounted, enabling them to be fixed to a plate or rail.
- Front mounting (19 inch) : front mounted racks for mounting in a standard 19 inch cabinet. The standardised method of fixing and mechanical strength provide good withstand to vibration.

All front mounted PLCs comply with maritime standards (BV, DNV, RINA).

These racks are supplied with or without fans. The version with fan must be used with TSX/PMX P67 425/455, TSX/PMX P87 4●● and TSX/PMX P107 4●● processors (recommended for TSX/PMX P47 40●● processors to improve the MTBF). It is also compulsory for use in racks, including TSX AXM 292/492 multi-axis control modules.

Short racks

These racks are designed for compact configurations. They have 8 slots which are :

- 3 slots (1) for TSX ●7 455 type processors intended for remote I/O architectures (FIPIO),
- 5 slots for I/O modules (base rack and extension),
- 7 slots for I/O modules (direct extension unit).

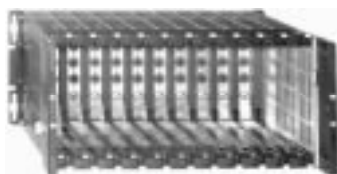
They are not suitable for TSX/PMX P87 4●● and TSX/PMX P107 4●● processors.

Note : standard and short racks are available with either a simplified or a complete bus :

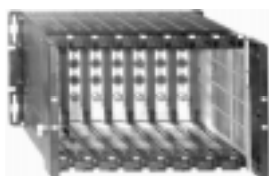
- The simplified bus enables data exchanges between the discrete I/O interfaces, the analogue interfaces, the counting interface and the TELWAY network module,
- The complete bus also enables the exchange of data required when using dedicated I/O modules and communication modules.

Base racks and I/O extension racks

Type	Use	Format	Bus	Reference	Weight kg
PLC base	TSX/PMX 47-40 TSX/PMX 67-40	Standard	Complete	TSX RKN 82	3.200
		Short	Complete	TSX RKN 52	2.000
		19" mounting	Complete	TSX RKN 82 W11	3.200
		Short (1)	–	TSX RKB 3	1.950
	TSX/PMX 67-40 TSX/PMX 87-40 TSX/PMX 107-40	Standard (2)	Complete	TSX RKN 82F	5.200
		Standard (3)	Complete	TSX RKN 82FD	5.200
19" mounting (2)		Complete	TSX RKN 82F W11	5.200	
	19" mounting (3)	Complete	TSX RKN 82FD W11	5.200	
Local or remote extension	With intelligent I/O modules	Standard	Complete	TSX RKN 8	3.200
		Standard (2)	Complete	TSX RKN 8F	5.200
		Short	Complete	TSX RKN 5	2.000
		19" mounting	Complete	TSX RKN 8 W11	3.200
	Without intelligent I/O modules	Standard	Simplified	TSX RKS 8	3.200
		19" mounting	Simplified	TSX RKS 8 W11	3.200
Direct extension	Without intelligent I/O module	Standard	Simplified	TSX RKE 8	3.300
		Short	Simplified	TSX RKE 7	2.100
		19" mounting	Simplified	TSX RKE 8 W11	3.300



TSX RKN 8/82



TSX RKN 5/52

Separate parts

Description	Use	Order in multiples of	Unit reference	Weight kg
Wire guide	Wiring the I/O	10	TSX RAC 10	0.220
Earthing strip essential for connecting cable screening to :	Standard rack	1	TSX RAC 20	0.260
	Short rack	1	TSX RAC 25	0.240
- TSX LES 6●/7● cable connectors - TSX BLK 4 terminal blocks	19" rack mounting	1	TSX RAC 20W11	0.250
Hinged support for side mounting	3 slot rack TSX RKB 3	1	TSX RK ACC 1	2.150
Backplane locating device	Optional locating	10	TSX RAC 40	0.025
Module slot cover	Empty I/O slot	10	TSX RAC 50	0.600
Cartridge slot cover	Empty cartridge slot	3	TSX RAC 80	1.340
Extractor tool	Removing module	1	TSX MNC 30	0.210

(1) Rack with 3 slots designed to receive 1 TSX SUP power supply (2 slots) and 1 processor (1 slot) with integrated FIPIO link (for TBX remote I/O).

(2) With cooling fan unit for ~ 110/240 V 50/60 Hz power supply, also suitable for TSX/PMX 47/67-40.

(3) With cooling fan unit for ~ 24/48 V power supply, also suitable for TSX/PMX 47/67-40.

Multifunction programmable controllers

Racks

Dimensions, mounting

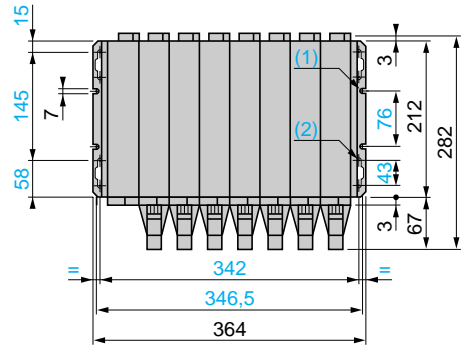
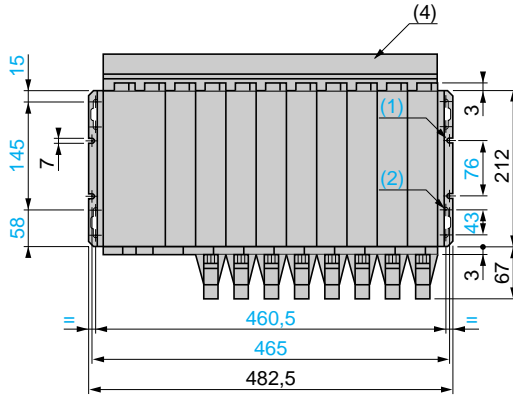
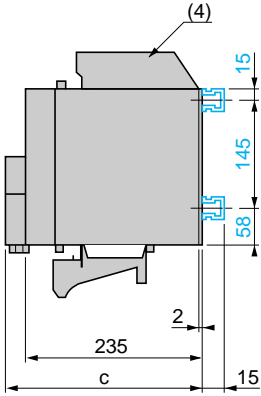
References :
pages 42201/2

Rear mounted racks (mounting on 35 mm wide rails)

View of common rail

Standard racks
TSX RKN 82, RKN 8, RKS 8, RKE 8
Standard racks with fan
TSX RKN 82F, RKN 82FD, RKN 8F

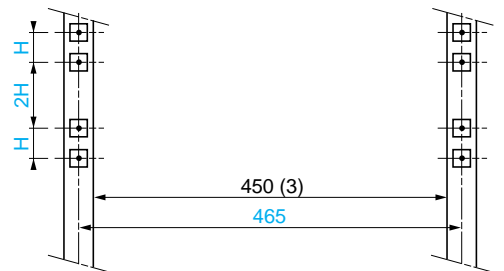
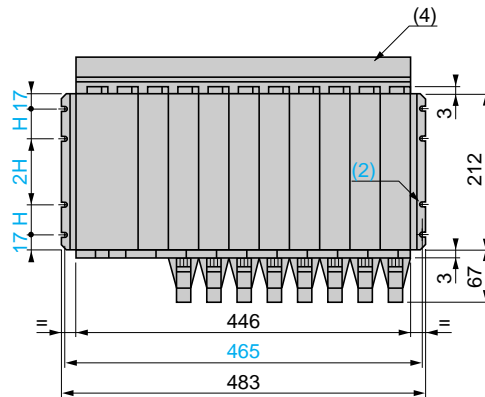
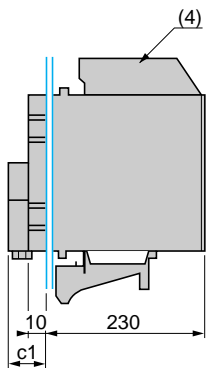
Short racks
TSX RKN 52, RKN 5, RKE 7



Front mounted racks (19")

Standard racks
TSX RKN 82 W11, RKN 8 W11, TSX RKS 8 W11, RKE 8 W11
Racks with fan
TSX RKN 82F W11, RKN 82FD W11

Mounted in 19" cabinet



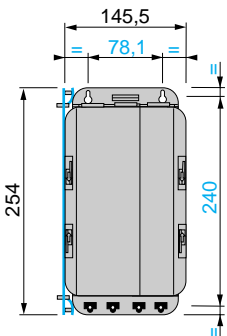
Type of module	c	c1
Discrete I/O modules with TSX BLK terminal block	235	10
Modules with TSX BLK 4 terminal block	267	42
TSX MPT 107/MAP 107, TSX LES 20/ ETH ●●●	262	37
TSX AXT/AXM 172/DTM 100 (with TSX CAC 04 connector)	275	50
TSX LFS 20●/12●	295	70
TSX SCM/LES 120/LES 200 (with TSX CAC 01 connector)	310	85
TSX AXM 182/162	310	85

c, c1 = dimension including connections

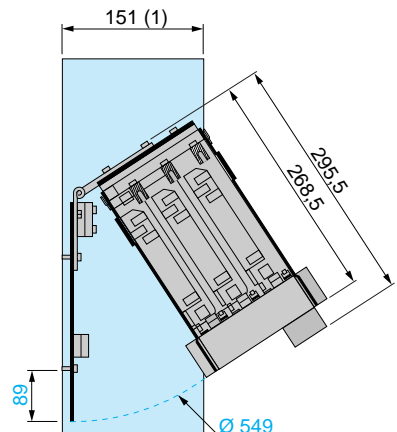
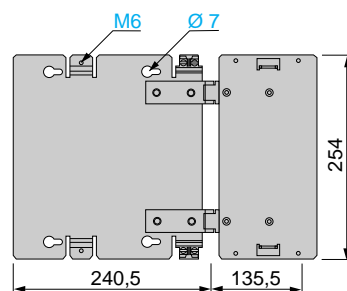
Note : when the racks are mounted in a cabinet :
- minimum distance between racks is : 150 mm
- maximum distance between rack and extension is : 800 mm

- (1) 4 x Ø 7 mm
- (2) 8 x Ø 7 mm
- (3) 450 mm minimum
- (4) For standard racks with fan, add 47 mm
H = 44.45 mm

TSX RKB 3
Short rack



TSX RK ACC 1
Hinged support for side mounting



(1) Minimum