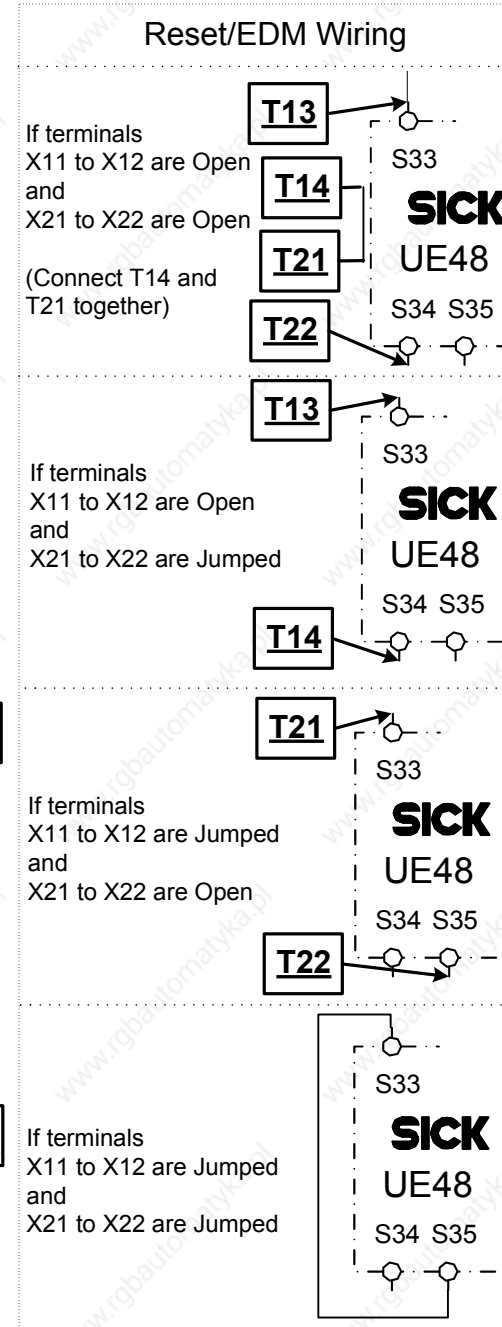
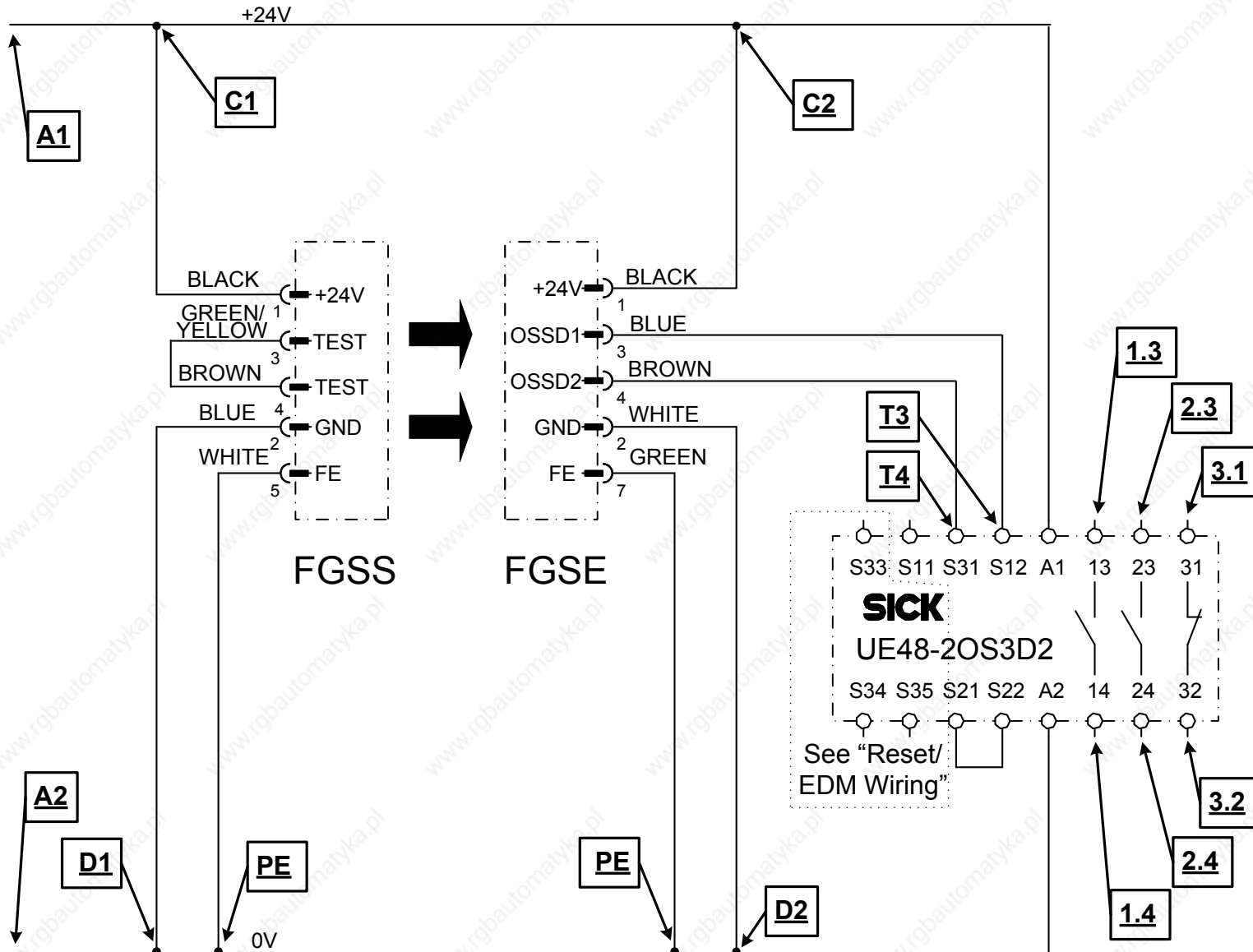


## Wiring Upgrade Guide

Use when replacing SICK models LCUX1-400 (part number 1013410) with model UE48-2OS3D2 (part number 6024916).

LCUX1-400 terminal designations are underlined. Attach the existing wires from the LCUX1-400 terminals as shown below.



For additional information regarding SICK Safety System upgrades, please visit [www.sickusa.com/safetyupgrade](http://www.sickusa.com/safetyupgrade) or email us at [safetyhelp@sick.com](mailto:safetyhelp@sick.com).