

Features

- Formerly a **KOMATSULITE™** product
- Miniature Thermal Cutoff (TCO) device
- Low current type
- Overtemperature and overcurrent protection for lithium polymer and prismatic cells
- Controls abnormal, excessive current virtually instantaneously
- Wide range of temperature options

Applications

Battery cell protection for:

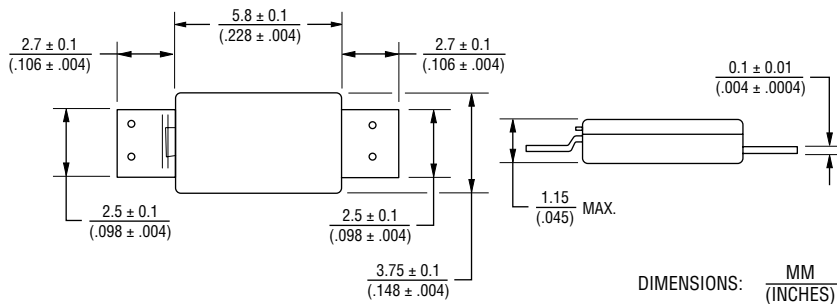
- Notebook PCs
- Tablet PCs
- Smart phones
- Mobile phones

LC Series Breaker (Thermal Cutoff Device)

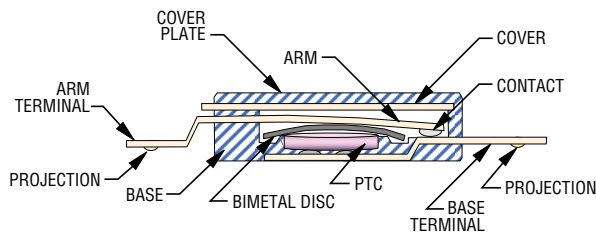
Ratings

| Specification | Model | | | |
|--------------------------|--------------------------|--------------|--------------|--------------|
| | LC72AY-1 | LC77AY-1 | LC82AY-1 | LC85AY-1 |
| Trip Temperature | 72 °C ± 5 °C | 77 °C ± 5 °C | 82 °C ± 5 °C | 85 °C ± 5 °C |
| Reset Temperature | 40 °C min. | | | |
| Contact Rating | DC9V / 12 A, 6000 cycles | | | |
| Maximum Breaking Current | DC5V / 40 A, 100 cycles | | | |
| Maximum Voltage | DC28V / 5 A, 100 cycles | | | |
| Minimum Holding Voltage | 2 V @ 25 °C for 1 minute | | | |
| Maximum Leakage Current | 150 mA max. @ 25 °C | | | |
| Resistance | 10 ± 5 milliohms max. | | | |

Product Dimensions



Product Structure



AVAILABLE WITH AND WITHOUT PROJECTIONS.

Agency Recognition

| Description | |
|-------------|------------------------|
| UL, cUL | File Number: E215638 |
| TUV | File Number: R50188566 |

How to Order

| | |
|------------------------------|--|
| Series Designator | LC 72 A Y - 1 |
| Trip Temperature (±5 °C) | <ul style="list-style-type: none"> • 72 • 77 • 82 • 85 |
| Arm Material | A = Cu Alloy |
| Manufacturer's Internal Code | |
| Terminal Type | (with/without Projection & Terminal Length) |

* RoHS Directive 2002/95/EC Jan. 27, 2003 including annex and RoHS Recast 2011/65/EU June 8, 2011.

** Bourns considers a product to be "halogen free" if (a) the Bromine (Br) content is 900 ppm or less; (b) the Chlorine (Cl) content is 900 ppm or less; and (c) the total Bromine (Br) and Chlorine (Cl) content is 1500 ppm or less.

Specifications are subject to change without notice.

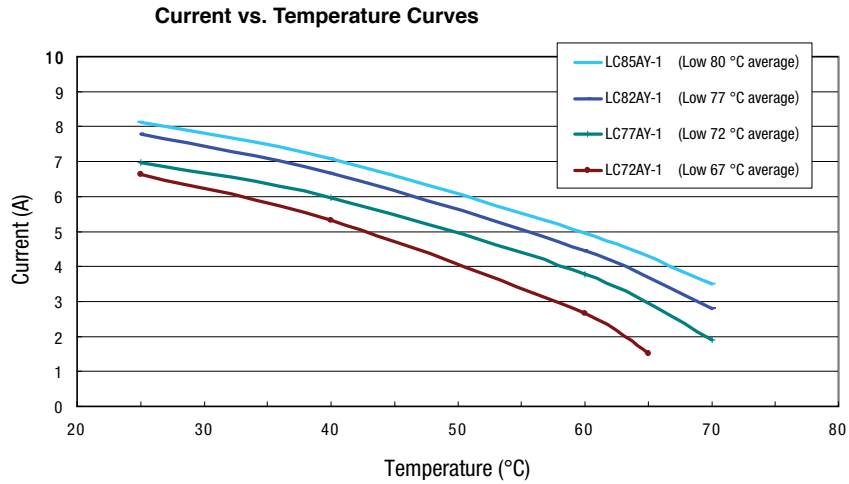
The device characteristics and parameters in this data sheet can and do vary in different applications and actual device performance may vary over time.

Users should verify actual device performance in their specific applications.

LC Series Breaker (Thermal Cutoff Device)

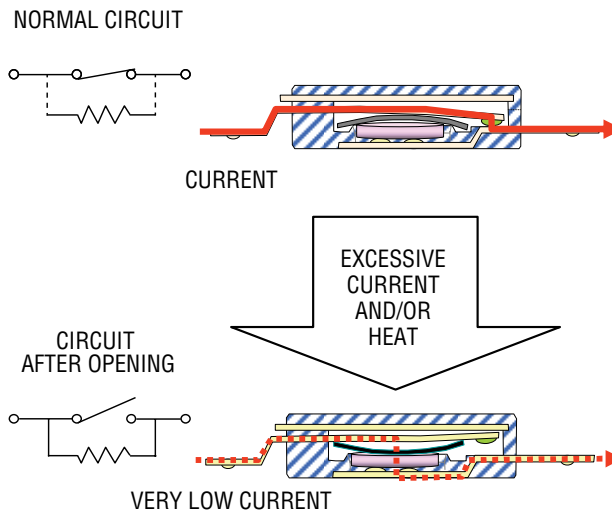
BOURNS®

Typical Performance



Place test samples in oven at 25 °C, 40 °C, 60 °C and 70°C and increase current flow through the sample at a rate of 0.1 A/minute and record current value when sample trips.

Operation



Specifications are subject to change without notice.
The device characteristics and parameters in this data sheet can and do vary in different applications and actual device performance may vary over time.
Users should verify actual device performance in their specific applications.