

EYT 240: nova240, Control panel

The **nova240** control panel is used for the visualisation and operation of all the data points of an automation station.

The menu-led operating principle is based on plain text via the six membrane keys. The illuminated LCD, which has 64x128 pixels, can show up to 8 lines à 21 characters. The information is exchanged between the contacted EY3600 automation station and the control panel. It is connected via an RJ-45 (8/8) connector.



T05687

| Type | Description | Weight g |
|--------------------------------------|--|--|
| EYT 240 F001 | Control panel | 300 |
| Technical details | | |
| Power supply | from automation station | Permissible ambient temp.: Normal operation 0...45 °C |
| Current | 100 mA | Transport & storage temp. -25...65 °C |
| Power loss, max. | approx. 0,1 W | Permissible humidity 10...90 %rh without condensation |
| Interfaces & communication | 1x RJ-45 socket 4 twisted pairs | Degree of protection IP 40/20 |
| Distance | 20 m max., shielded | Protection class III |
| Languages:- | | |
| Mikroprogramm AS Version 501xxx.001: | German, French, English, Italian, Dutch, Spanish, Swedish, Norwegian, Danish, Portuguese, Finnish | Ambient class IEC 60721 3K3 |
| Mikroprogramm AS Version 501xxx.002: | German, French, English, Polish, Slovenian, Hungarian, Russian, Czech, Turkish | Dimensions HxWxD 80x144x36 |
| | | Dimension drawing M05974 |
| | | Fitting instructions MV 505399 |
| Complies with:- | | |
| | EMC directive 2004/108/EC | EN 61000-6-1/ EN 61000-6-2 EN 61000-6-4 EN 55022 Class A |

Accessories

- [0367829 001*](#) Fixing bracket for panel
- [0367842 001](#) Connecting cable (0,35 m) **nova240** <-> **AS**
- [0367842 002](#) Connecting cable (1,5 m) **nova240** <-> **AS**
- [0367842 003](#) Connecting cable (2,9 m) **nova240** <-> **AS**
- [0367842 004](#) Connecting cable (6,0 m) **nova240** <-> **AS**
- [0367878 001*](#) Holder for wall or top-hat rail
- [0367880 001*](#) Desktop stand

*) Dimension drawing or wiring diagram are available under the same number

Engineering and fitting notes

This product enables the user to view values and conditions locally, to issue switching and positioning commands and setpoints and, along with other functions, to enter and modify the time-dependent and date-dependent switching program.

The control panel can be plugged into any compact automation station (AS) via RJ-45 plug with screened and twisted cable. The modular automation stations with the EYU 108/109 racks and the compact nova230 automation station can also be fitted in the front plate.

Accessory parts are available for fitting the unit in panel doors, on walls, on DIN top-hat rails or on desktops.

The control panel itself does not have to be parameterised, so it can be used as a mobile terminal for several stations.

It fetches all information – i.e. also plain text, unit details etc. – from the data-point parameters stored in the respective automation stations.

If, in the interests of clarity, information is needed from other automation stations, it should be put (by the station which registers the respective address) in the global address range, the so-called 'common'. Therefore, it is also available at other stations and can be put on software addresses and visualised there by the manual operating unit.

Menu 1

| | | | | | | | | | | | | | | | | | | | |
|---|---|---|---|---|---|---|---|---|---|---|---|---|---|---|---|---|---|---|---|
| M | E | N | U | 1 | → | S | e | q | u | e | n | c | e | l | i | s | t | | |
| → | P | a | s | s | w | o | r | d | | | | | | | | | | | |
| → | A | d | d | r | e | s | s | r | e | s | e | t | | | | | | | |
| → | A | l | a | r | m | s | / | f | a | u | l | t | s | | | | | | |
| → | S | t | a | t | u | s | + | b | i | n | a | r | y | F | B | | | | |
| → | M | e | a | s | u | r | e | d | v | a | l | u | e | s | | | | | |
| → | C | o | u | n | t | e | r | v | a | l | u | e | s | | | | | | |
| → | S | w | i | t | c | h | i | n | g | c | o | m | m | a | n | d | s | F | B |

Menu 2

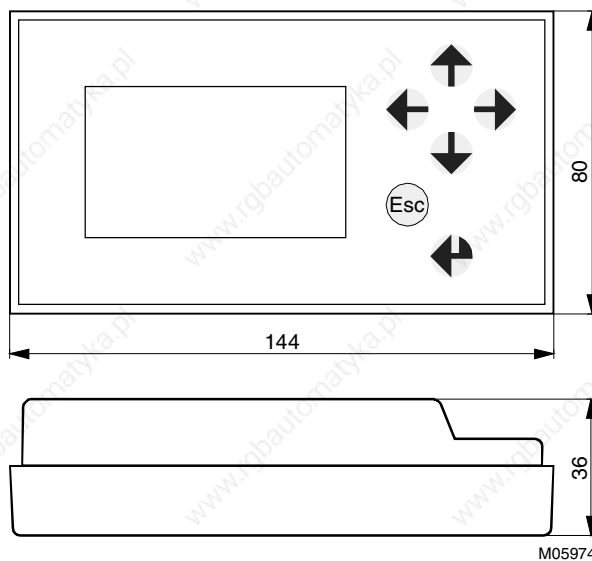
| | | | | | | | | | | | | | | | | | | | | |
|---|---|---|---|---|---|---|---|---|---|---|---|---|---|---|---|---|---|---|---|---|
| M | E | N | U | 2 | → | S | e | q | u | e | n | c | e | l | i | s | t | | | |
| → | S | e | t | p | o | i | n | t | s | / | P | o | s | . | v | a | l | u | e | s |
| → | A | l | l | M | F | A | s | | | | | | | | | | | | | |
| → | S | w | i | t | c | h | i | n | g | p | r | o | g | r | a | m | | | | |
| → | S | e | t | c | l | o | c | k | | | | | | | | | | | | |
| → | A | n | n | u | a | l | t | a | b | l | e | | | | | | | | | |
| → | S | u | m | m | e | r | - | / | w | i | n | t | e | r | t | i | m | e | | |

Menu 3

| | | | | | | | | | | | | | | | | | | | | |
|---|---|---|---|---|---|---|---|---|---|---|---|---|---|---|---|---|---|---|---|--|
| M | E | N | U | 3 | → | S | e | q | u | e | n | c | e | l | i | s | t | | | |
| → | P | a | r | a | m | e | t | e | r | s | e | r | v | i | c | e | | | | |
| → | G | r | . | n | o | . | / | c | h | a | r | a | c | t | e | r | s | e | t | |
| ↑ | E | n | g | l | i | s | h | | | | | | | | | | | | | |
| → | V | e | r | s | i | o | n | | | | | | | | | | | | | |

A detailed description of how to operate all the address data points can be found in the Operating Manual (7 000848 001).

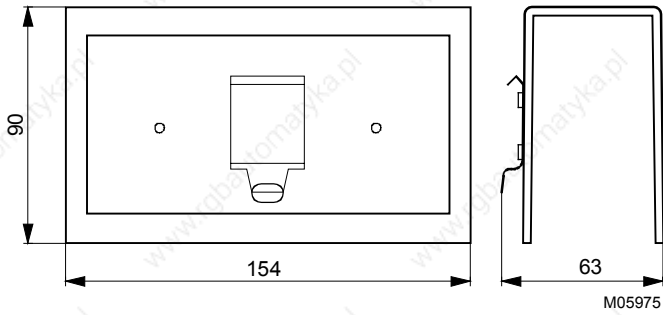
Dimension drawing



Accessories

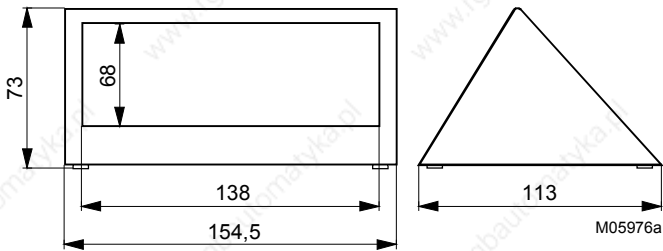
Fixing bracket for top-hat rail

367878



Desktop stand

367880



Bracket for panel

367829

