

LLF40 Series

Compact Internal Fitting, Low Level, Low S.G. Float Switch



- Suitable for low specific gravity liquids (0.7 S.G.)
- Very low level sensing
- Class leading compact design
- Flying Lead or M12 plug connection
- Available in Nylon, Polypropylene, PPS or PVDF
- 25VA & 100VA versions
- Many variants are UL recognised components File No. E171218
- Many variants have WRAS and/or UL approval

Technical Specification	LLF43	LLF44	LLF48	LLF46	LLF47
Material	Nylon	Polypropylene WRAS approved	Polypropylene UL approved	Polyphenylene Sulphide (PPS)	Polyvinylidene Fluoride (PVDF)
Colour	Black	Opaque	White	Grey	Green
Temp. Range °C	-20 / +75	-20 / +100	-20 / +100	-10 / +120*	-10 / +105
°F	-4 / +167	-4 / +212	-4 / +212	+14 / +248*	+14 / +221
Min. Fluid SG	0.7	0.7	0.7	0.7	0.7
Must close level (SG=1)	1mm	1mm	1mm	1mm	1mm
Must open level (SG=1)	10mm	10mm	10mm	10mm	10mm

* ETFE cable needs to be selected in order to achieve the maximum temperature rating

Electrical Specification	25W (Y code)	100W (H code)
Contact Form	N/O (N/C)	N/O (N/C)
Switching Power Max	VA	25
Switching Voltage AC Max	V	240
Switching Voltage DC Max	V	120
Switching Current Max	A	0.6

All ratings are for resistive load only.

Standard Parts	Material	Max Power	Leadouts	Gasket	Approvals
LLF43H100RF	Nylon	100VA	100cm PVC 16/0.2	Nitrile	WRAS
LLF43Y100RF	Nylon	25VA	100cm PVC 16/0.2	Nitrile	WRAS
LLF44H100RF	PP	100VA	100cm PVC 16/0.2	Nitrile	WRAS
LLF44Y100RF	PP	25VA	100cm PVC 16/0.2	Nitrile	WRAS
LLF46H100RF	PPS	25VA	100cm PVC 16/0.2	Nitrile	WRAS & UL
LLF46Y100RF	PPS	25VA	100cm PVC 16/0.2	Nitrile	WRAS & UL
LLF47Y100GF	PVDF	25VA	100cm PTFE 7/0.2	Nitrile	UL
LLF47H100GF	PVDF	100VA	100cm PTFE 7/0.2	Nitrile	UL
LLF47Y100GG	PVDF	25VA	100cm PTFE 7/0.2	Viton	UL
LLF47H100GG	PVDF	100VA	100cm PTFE 7/0.2	Viton	UL
LLF48H100RF	PP (UL)	100VA	100cm PVC 16/0.2	Nitrile	UL
LLF48Y100RF	PP (UL)	25VA	100cm PVC 16/0.2	Nitrile	UL
LLF43HFP	Nylon	100VA	M12 connector	Nitrile	WRAS
LLF43YFP	Nylon	25VA	M12 connector	Nitrile	WRAS
LLF44HFP	PP	100VA	M12 connector	Nitrile	WRAS
LLF44YFP	PP	25VA	M12 connector	Nitrile	WRAS
LLF46HFP	PPS	100VA	M12 connector	Nitrile	WRAS & UL
LLF46YFP	PPS	25VA	M12 connector	Nitrile	WRAS & UL
LLF47YFP	PVDF	25VA	M12 connector	Nitrile	UL
LLF47HFP	PVDF	100VA	M12 connector	Nitrile	UL
LLF47YGP	PVDF	25VA	M12 connector	Viton	UL
LLF47HGP	PVDF	100VA	M12 connector	Viton	UL
LLF48HFP	PP (UL)	100VA	M12 connector	Nitrile	UL
LLF48YFP	PP (UL)	25VA	M12 connector	Nitrile	UL

The LLF40 series is designed as a compact internal fitting device, with a wide range of options, making this ideal for size sensitive applications. Mounting of this series requires access to the inside of the tank.

These devices are particularly suitable for detecting low levels of liquids in the bottom of tanks and containers, and for lower SG liquids. Typical applications include vending machines, commercial washing machines and evaporator units.

They are manufactured in a variety of materials with a choice of gasket materials, to suit most commonly used liquids.

The switch action may be reversed by rotating the device through 180°.

Available with flying leads or M12 socket for electrical connection. Cable sets with M12 plugs are also available.

Custom versions can be made for particular applications.

Cynergy3 Components Ltd.
7 Cobham Road
Ferndown Industrial Estate
Wimborne, Dorset BH21 7PE
Telephone +44 (0) 1202 897969
Email:sales@cynergy3.com

ISO9001 CERTIFIED

LLF40 2018



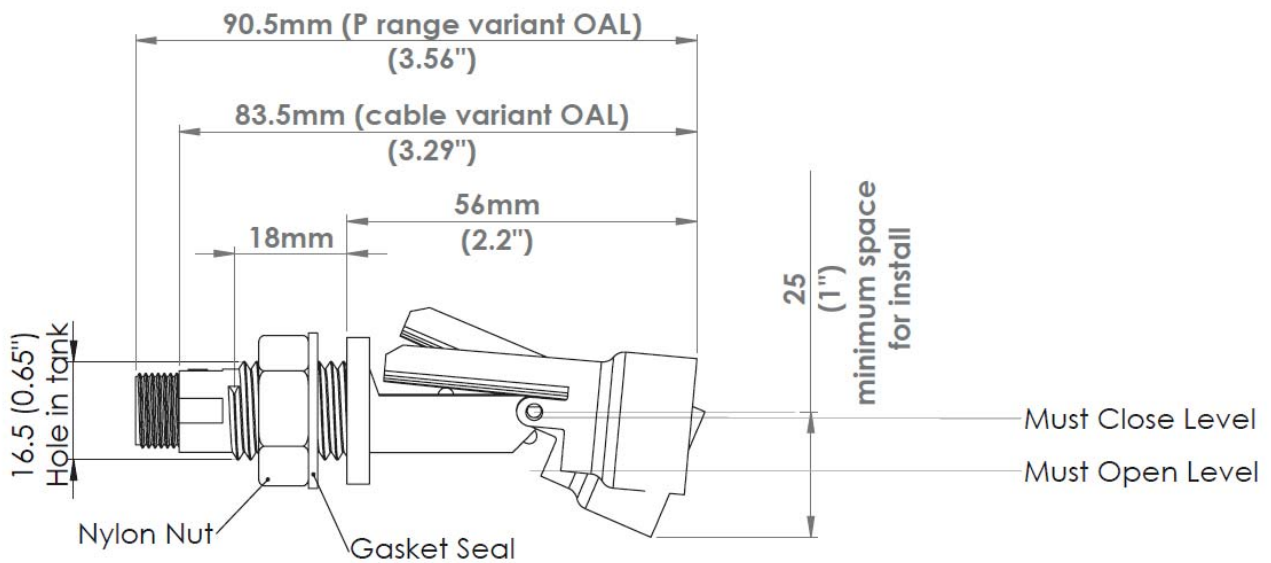
Made in the UK

www.cynergy3.com

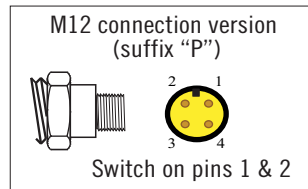
LLF40 Series

Compact Internal Fitting, Low Level, Low S.G. Float Switch

Mechanical Dimensions



Electrical Connections



Cynergy3 Components Ltd.
7 Cobham Road
Ferndown Industrial Estate
Wimborne, Dorset BH21 7PE
Telephone +44 (0) 1202 897969
Email: sales@cynergy3.com

ISO9001 CERTIFIED

www.cynergy3.com