

Standard Snap-In Panel Jacks Are Universal For Type SPJ

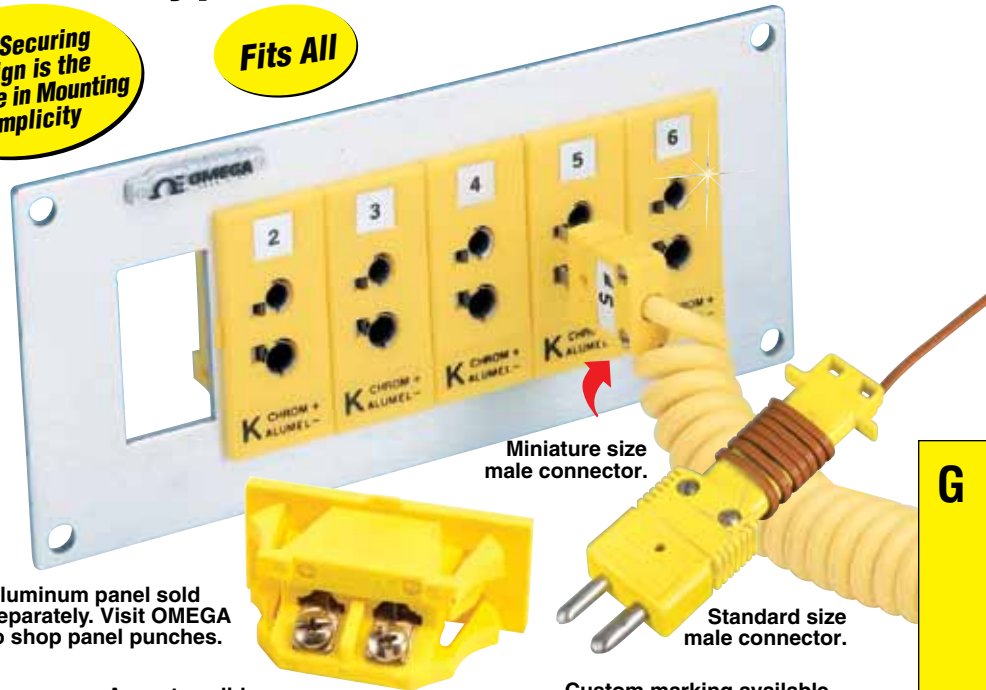
SPJ Series

**Self-Securing
Design is the
Ultimate in Mounting
Simplicity**

Fits All

- ✓ No Installation Tools Needed
- ✓ Interlocking
- ✓ Color-Coded and Numbered
- ✓ Glass Filled Nylon Rated -29 to 220°C (-20 to 425°F)
- ✓ Accepts All Standard Size and Miniature Male Connectors
- ✓ Combination Phillips/Slot Screws
- ✓ Wire Divider

Mounting hardware has been eliminated in the SPJ-style panel jacks by including retaining spring clips as part of the body design. A small tab and notch are provided to maintain straight, even rows without the need for precision matching. SPJ color-coded nylon connectors accept any standard and miniature size male thermocouple connector and are available in popular thermocouple calibrations. The tungsten alloys C, D, and G are only available in the old style, non-universal SPJ jack panel connectors, please consult sales.



Aluminum panel sold separately. Visit OMEGA to shop panel punches.

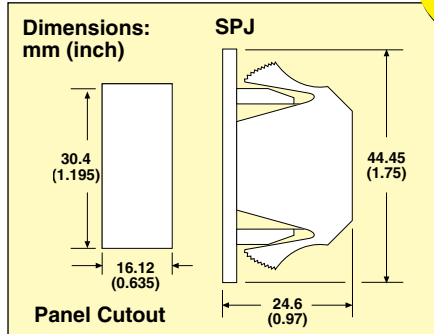
Accepts solid or stranded wire up to size 14 AWG.

Custom marking available. Consult Sales Department for pricing and quantities.

**Optional ID Number
Labels and Dust Caps
Available**

Extra ID Number Labels:

Model 1-6L, 1 thru 6
Model 1-12L, 1 thru 12
Model 1-18L, 1 thru 18
Model 1-24L, 1 thru 24
Model 1-50L, 1 thru 50
Model 1-100L, 1 thru 100



Removal Tool SIRT-1

For the large volume user who requires the ability to quickly remove installed connectors, the SIRT-1 removal tool is invaluable. Operating easily even in densely packed panels, the tool compresses all spring clips together, allowing the SPJ to be pushed out of the panel from the rear.



Discount Schedule

1-10	Net
11-49	5%
50-99	10%
100-999	15%
1000-4999	20%
5000 and over.....	25%

To Order

Alloy Code†	Type of Thermocouple Used With Connector	Compensating Alloy Used in Connector		Shell Color	Model Number (Female)*
		+	-		
K	CHROMEGA®-ALOMEGA®	CHROMEGA®	ALOMEGA®	Yellow	SPJ-K-F
T	Copper-Constantan	Copper	Constantan	Blue	SPJ-T-F
J	Iron-Constantan	Iron	Constantan	Black	SPJ-J-F
E	CHROMEGA®-Constantan	CHROMEGA®	Constantan	Purple	SPJ-E-F
R/S	Pt-Pt/13%Rh	Copper	RNX/SNX	Green	SPJ-R/S-F
U	Uncompensated	Copper	Copper	White	SPJ-U-F
N	OMEGALLOY®	OMEGA-P®	OMEGA-N®	Orange	SPJ-N-F

†K, T, J, E, R, S, B and N calibration are ANSI designations. Also available with male pins. Change "F" in model number to "M". Example: **SPJ-K-M** (same price).

Note: Type U (uncompensated) are used with Type B thermocouples, 2 wire RTDs or thermistors.

* If you previously ordered the UPJ, simply replace the "S" with a "U" at the start of the model number.

Ordering Example: **SPJ-K-F**, snap-in panel jack, Type K calibration to accept standard or miniature male connectors.



Optional supply of dust caps, SPJ-CAP, pkg of 12