

SIEMENS

SIMATIC

S7-300

PtP coupling and configuration of CP 340

Manual

Preface

Product Description	1
Basic Principles of Serial Data Transmission	2
Starting up the CP 340	3
Mounting the CP 340	4
Configuring and Parameterizing the CP 340	5
Communication using function blocks	6
Startup	7
Diagnostics with the CP 340	8
Programming Example for Standard Function Blocks	9
Technical Specifications	A
Connecting Cables	B
Accessories and Order Numbers	C
Literature on SIMATIC S7	D

Legal information

Warning notice system

This manual contains notices you have to observe in order to ensure your personal safety, as well as to prevent damage to property. The notices referring to your personal safety are highlighted in the manual by a safety alert symbol, notices referring only to property damage have no safety alert symbol. These notices shown below are graded according to the degree of danger.

⚠ DANGER
indicates that death or severe personal injury will result if proper precautions are not taken.
⚠ WARNING
indicates that death or severe personal injury may result if proper precautions are not taken.
⚠ CAUTION
with a safety alert symbol, indicates that minor personal injury can result if proper precautions are not taken.
CAUTION
without a safety alert symbol, indicates that property damage can result if proper precautions are not taken.
NOTICE
indicates that an unintended result or situation can occur if the relevant information is not taken into account.

If more than one degree of danger is present, the warning notice representing the highest degree of danger will be used. A notice warning of injury to persons with a safety alert symbol may also include a warning relating to property damage.

Qualified Personnel

The product/system described in this documentation may be operated only by **personnel qualified** for the specific task in accordance with the relevant documentation, in particular its warning notices and safety instructions. Qualified personnel are those who, based on their training and experience, are capable of identifying risks and avoiding potential hazards when working with these products/systems.

Proper use of Siemens products

Note the following:

⚠ WARNING
Siemens products may only be used for the applications described in the catalog and in the relevant technical documentation. If products and components from other manufacturers are used, these must be recommended or approved by Siemens. Proper transport, storage, installation, assembly, commissioning, operation and maintenance are required to ensure that the products operate safely and without any problems. The permissible ambient conditions must be complied with. The information in the relevant documentation must be observed.

Trademarks

All names identified by © are registered trademarks of Siemens AG. The remaining trademarks in this publication may be trademarks whose use by third parties for their own purposes could violate the rights of the owner.

Disclaimer of Liability

We have reviewed the contents of this publication to ensure consistency with the hardware and software described. Since variance cannot be precluded entirely, we cannot guarantee full consistency. However, the information in this publication is reviewed regularly and any necessary corrections are included in subsequent editions.

Preface

Purpose of the manual

This manual explains how to establish and operate a point-to-point connection.

Content of the manual

This manual describes the hardware and software of communication processor CP 340, and its implementation into the S7-300 automation system. It consists of an instruction section and also contains reference material (appendices).

Topics covered:

- The basics of point-to-point connections with the CP 340
- Starting up the CP 340
- Mounting the CP 340
- Communication via the CP 340
- Troubleshooting
- Application example
- Features and technical specifications

Scope of the manual

The manual is relevant for:

Product	Order number	From edition
CP 340-RS 232C	6ES7 340-1AH02-0AE0	01
CP 340-20mA-TTY	6ES7 340-1BH02-0AE0	01
CP 340-RS 422/485	6ES7 340-1CH02-0AE0	01

Note

The description of the CP 340 communication processor contained in this manual is correct at the date of publication. We reserve the right to describe changes to module functionality in a Product Information.

Certifications

You can find detailed information about certificates, approvals and standards in the manual *S7-300 Automation System; S7-300 Module Specifications*.

Assistance in using the manual

This manual has the following features to help you to find the information you need quickly:

- In the chapters, the information in the left-hand column of each page summarizes the content of each section.
- Following the appendices, a glossary defines important technical terms used in the manual.
- At the end of the manual a comprehensive index facilitates quick access to information relating to specific subjects.

Additional assistance

Please contact your local Siemens representative if you have any queries about the products described in this manual.

- You will find contact details for your representative at:
<http://www.siemens.com/automation/partner>
- You will find the guide to the technical documentation for the individual SIMATIC products and systems at:
<http://www.siemens.com/simatic-doku>
- You will find the online catalog and online ordering system at:
<http://www.siemens.com/automation/mall>

Conventions

The abbreviation CP 340 is used in this manual when information applies to all three module variants: CP 340-RS 232C, CP 340-20mA TTY and CP 340-RS 422/485.

Training centers

We offer a range of courses to help get you started with the S7 programmable controller. Please contact your regional training center, or the central training center in Nuremberg, Germany.

Internet: <http://www.siemens.com/sitrain>

Technical support

You can access technical support for all A&D products

- Via the support request form available online
<http://www.siemens.com/automation/support-request>

Additional information about our technical support is available in the Internet at:

<http://www.siemens.com/automation/service&support>

Service & Support on the Internet

Supplementary to our documentation offers, we provide a comprehensive online knowledge base on the Internet.

<http://www.siemens.com/automation/service&support>

There you will find:

- The newsletter, which is constantly updated to provide you with the latest information about your products
- The right documents via our Search function under Service & Support
- A forum, where users and experts from all over the world exchange their experiences
- Your local representative for Automation & Drives via our representatives database
- Information about on-site service, repairs and spare parts Lots more is available to you in the "Service" section.

Table of contents

	Preface	3
1	Product Description	11
1.1	Uses of the CP 340	11
1.2	Components for a Point-to-Point Connection with the CP 340.....	14
1.2.1	Required Hardware Components	14
1.2.2	Software Components for a Point-to-Point Connection with the CP 340	15
1.3	Design of the CP 340.....	16
1.4	Properties of the serial interface	18
1.4.1	RS 232C interface of the CP 340–RS 232C	18
1.4.2	20mA–TTY interface on the CP 340–20mA–TTY.....	20
1.4.3	X27 (RS 422/485) Interface of the CP 340–RS 422/485.....	21
2	Basic Principles of Serial Data Transmission.....	23
2.1	Serial Transmission of a Character	23
2.2	Transmission mode in Point-to-Point Communication.....	28
2.3	Transmission integrity	30
2.4	Data Transmission with the 3964(R) Procedure.....	32
2.4.1	Control characters.....	32
2.4.2	Block Checksum	33
2.4.3	Sending Data with 3964(R).....	34
2.4.4	Receiving Data with 3964(R)	38
2.4.5	Handling Errored Data	43
2.5	Data transfer using the ASCII driver	46
2.5.1	RS 232C accompanying signals.....	46
2.5.2	Sending Data with the ASCII Driver.....	50
2.5.3	Receiving Data with the ASCII Driver	51
2.5.4	BREAK - Monitoring on CP 340.....	55
2.5.5	Receive Buffer on CP 340	55
2.6	Data transmission with the printer driver	56
2.7	Parameterization Data	61
2.7.1	Basic parameters of the CP 340	61
2.7.2	Parameterization Data of the 3964(R) Procedure	62
2.7.3	Parameterization data of the ASCII driver	66
2.7.4	Parameterization data of the printer driver	72
2.7.5	Conversion and Control Statements for Printer Output.....	77

3	Starting up the CP 340	87
4	Mounting the CP 340	89
4.1	CP 340 slots	89
4.2	Installing and removing the CP 340	90
4.2.1	Installation steps	90
4.2.2	Removal steps	91
5	Configuring and Parameterizing the CP 340.....	93
5.1	Parameterization Options.....	93
5.2	Parameterizing the Communications Protocols	94
5.2.1	Parameterization of the CP 340.....	94
5.2.2	Installing the engineering tool	95
5.3	Configuring the CP 340.....	96
5.4	Managing the Parameter Data	97
5.5	Identification data	98
5.6	Download of firmware updates	100
6	Communication using function blocks.....	103
6.1	Communication via Function Blocks	103
6.2	Overview of the Function Blocks.....	104
6.3	Using the function blocks for connecting to a communications processor	105
6.3.1	S7 sends data to a communication partner	105
6.3.2	S7 receives data from a communication partner	109
6.4	Using function blocks for the output of message texts to a printer	113
6.5	Use of function blocks for reading and controlling the RS 232C secondary signals	118
6.6	Delete receive buffer, FB12 "P_RESET"	121
6.7	General Information on Program Processing.....	124
6.8	Technical data of the function blocks.....	125
7	Startup.....	127
7.1	Operating Modes of the CP 340	127
7.2	Startup Characteristics of the CP 340.....	128
7.3	Behavior of the CP 340 on Operating Mode Transitions of the CPU.....	129
8	Diagnostics with the CP 340.....	131
8.1	Diagnosis via the Display Elements of the CP 340.....	133
8.2	Diagnostics Messages of the Function Blocks P_SEND, P_RCV and P_PRINT	134
8.3	Diagnostics via the S7-300 backplane bus	142
8.4	Diagnostics by means of the diagnostic buffer of the CP 340	144

9	Programming Example for Standard Function Blocks.....	147
9.1	Device Configuration.....	148
9.2	Settings	149
9.3	Blocks Used	150
9.4	Example "Point-to-Point Communication"	151
9.5	Example "Printing" and "Reading and Controlling the CP 340 Inputs/Outputs"	153
9.6	Installation, Error Messages	155
9.7	Activation, Start-Up Program and Cyclic Program.....	156
A	Technical Specifications	159
A.1	Technical Specifications of the CP 340	159
A.2	Recycling and Disposal.....	164
B	Connecting Cables	165
B.1	RS 232C interface of the CP 340–RS 232C	165
B.2	20 mA TTY interface on the CP 340-20mA-TTY	173
B.3	X27 (RS 422/485) Interface of the CP 340–RS 422/485	180
C	Accessories and Order Numbers.....	185
D	Literature on SIMATIC S7.....	187
	Glossary	191
	Index.....	197

Product Description

1.1 Uses of the CP 340

Introduction

The communication processor allows you to exchange data between programmable controllers or computers by means of point-to-point communication.

Functionality of the CP 340

The CP 340 communication processor provides the following functionality:

- Transmission rate up to 19.2 Kbaud, half duplex
- Integration of the most important transmission protocols in the module firmware:
 - 3964(R) procedure
 - ASCII driver
 - Printer driver
- Adaptation of transmission protocols by means of parameter assignment with the CP 340 parameter assignment user interface: Point-to-point communication, parameter assignment
- Integrated serial interface:

Three module variants are available, each having a different interface type that is suitable for different communication partners (see Module variants table).

Module variants

The following variants of the CP 340 communication processor are available:

Table 1- 1 Module variants of the CP 340 communication processor

Module	Order number	Integrated interface
CP 340–RS 232C	6ES7340–1AH02–0AE0	RS 232C interface
CP 340–20mA–TTY	6ES7340–1BH02–0AE0	20mA-TTY interface
CP 340–RS 422/485	6ES7340–1CH02–0AE0	X27 (RS 422/485) interface

Functions of module variants

The functionality of the drivers depends on the module variant of the CP 340:

Table 1-2 Functions of CP 340 module variants

Function	CP 340–RS 232C	CP 340–20mCP TTY	CP 340 RS 422*	CP 340 RS 485*
ASCII driver	Yes	Yes	Yes	Yes
Operating the RS 232C accompanying signals	Yes	No	No	No
Controlling/reading of RS 232C accompanying signals with FBs	Yes	No	No	No
RTS/CTS flow control	Yes	No	No	No
XON/XOFF flow control	Yes	Yes	Yes	No
3964(R) procedure	Yes	Yes	Yes	No
Printer driver	Yes	Yes	Yes	Yes
RTS/CTS flow control	Yes	No	No	No
XON/XOFF flow control	Yes	Yes	Yes	No
* The RS 422 and RS 485 differ in respect of their parameter assignments.				

Possible applications for the CP 340

The CP 340 communication processor supports point-to-point communication with various Siemens modules and with non-Siemens products:

- SIMATIC S5 via the 3964(R) driver with corresponding interface module on S5 side
- Siemens BDE terminals ES 2 family via 3964(R) driver
- MOBY I (ASM 420/421, SIM), MOBY L (ASM 520) and ES 030K data acquisition terminal via 3964R driver
- SIMOVERT and SIMOREG (USS protocol) via the ASCII driver (CP 340-RS 422/485), with appropriate adaptation of the protocol using a STEP 7 program
- PCs via the 3964(R) procedure (the following development tools are available for programming on PCs for MS DOS or for Windows: PRODAVE S5 DOS/Win 64R (6ES5 897-2VD01))
- Barcode readers via the 3964(R) or ASCII driver
- Non-Siemens PLCs via the 3964(R) or ASCII driver
- Other devices with simple protocol structures by means of appropriate protocol adaptation with the ASCII driver
- Other devices that also have a 3964(R) driver
- Printers (HP Deskjet, HP Laserjet, Postscript, Epson, IBM)

The CP 340 can also be operated in a distributed configuration using the ET 200M (IM153) I/O device.

Note

The CP 340 modules (6ES7 340-1xH0y-0AE0) cannot be operated downstream from the external communication CPs CP 342-5 (PROFIBUS DP) and CP 343-1 (PROFINET IO).

1.2 Components for a Point-to-Point Connection with the CP 340

Introduction

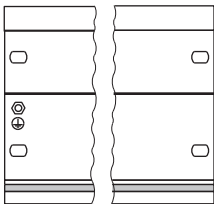
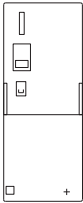
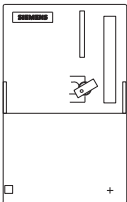


The PtP connection between the communication processor and a communication partner requires specific hardware and software components.

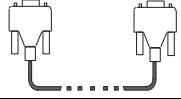
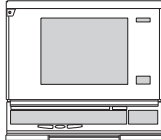
1.2.1 Required Hardware Components

Hardware Components

The table below describes the hardware components for a point-to-point connection.

Table 1- 3 Hardware Components for a Point-to-Point Connection with the CP 340

Components	Function	Diagram
Mounting rack	... provides the mechanical and electrical connections of the S7-300.	
Power supply module (PS)	... converts the line voltage (120/230 VAC) into the operating voltage of 24 VDC required to supply the S7-300.	
Central Processing Unit (CPU) Accessories: <ul style="list-style-type: none"> • Memory Card • Backup battery 	... executes the application program; communicates via the MPI interface with other CPUs or with a programming device.	
Communications processor	... communicates via the interface with a communication partner.	
Standard Connecting Cable	... connects the communications processor to the communication partner.	

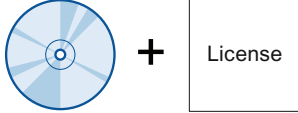

Components	Function	Diagram
Standard connecting cable	... connects a CPU to a programming device/PC.	
Programming device (PG) or PC	... communicates with the CPU of the S7-300.	

1.2.2 Software Components for a Point-to-Point Connection with the CP 340

Software components

The following table lists the software components required for establishing a point-to-point connection with the CP 340.

Table 1- 4 Software components for a point-to-point connection with the CP 340

Components	Function	Diagram
STEP 7 software package	... configures, assigns parameters, programs and tests the S7-300.	
Parameter assignment interface Assigning parameters to point-to-point connections	... parameterizes the interface of the CP 340.	
Function blocks (FBs) with programming example	... control communication between the CPU and the CP 340.	

1.3 Design of the CP 340

Introduction

The CP 340 communication processor is supplied with an integrated serial interface.

Positions of module elements

The figure shows the positions of the module elements on the front panel of the CP 340 communication processor.

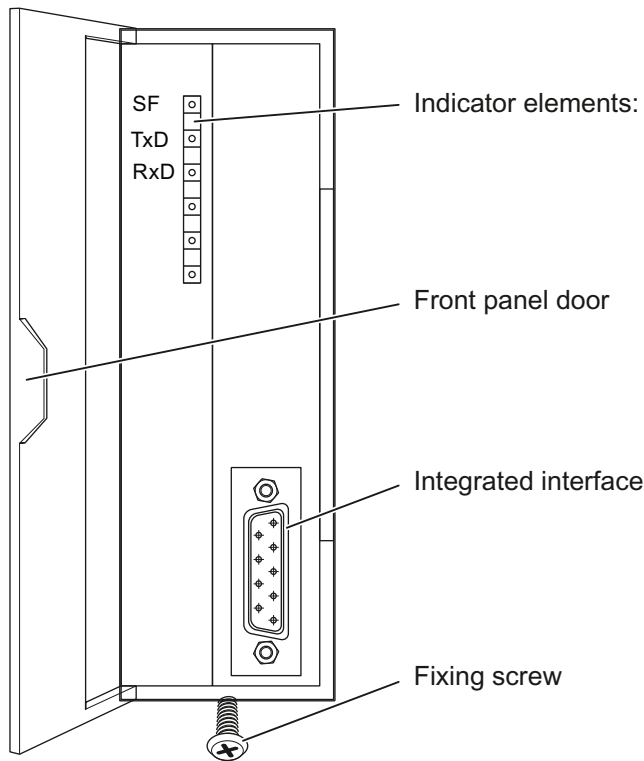


Figure 1-1 Positions of the module elements on the CP 340 communication processor

LED display elements

The following LED display elements are located on the front panel of the communication processor:

- SF (red) Error display
- TxD (green) Interface sending
- RxD (green) Interface receiving

Section "Diagnosis via the Display Elements of the CP 340 (Page 133)" describes the operating states and errors that these LEDs indicate.

Integrated interface

The CP 340 is available in three variants with different interface types:

- RS 232C
- X27 (RS 422/485)
- 20mA-TTY

The interface types are indicated on the front of the CP 340. A detailed interface description can be found in Section "Properties of the serial interface (Page 18)".

Bus connector for the S7 rear panel bus

A bus connector is supplied with the CP 340. The bus connector is plugged onto the back panel of the CP 340 when it is mounted. The S7-300 rear panel bus is connected via the bus connector.

The S7-300 rear panel bus is a serial data bus via which the CP 340 communicates with the modules of the programmable controller and is supplied with the necessary voltage.

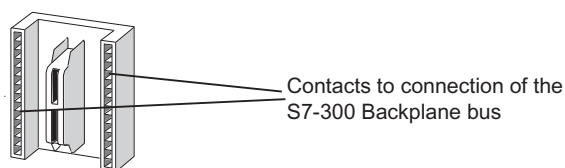


Figure 1-2 Connector S7

1.4 Properties of the serial interface

Introduction

Three module variants of the CP 340 are available, each having a different interface type that is suitable for different communication partners. For point-to-point connections between the CP 340 and a communication partner, Siemens offers standard connecting cables in various lengths.

1.4.1 RS 232C interface of the CP 340–RS 232C

Features

The RS 232C interface is a voltage interface used for serial data transmission in compliance with the RS 232C standard.

Type:	Voltage interface
Front connector:	9-pin sub D male connector with screw-locking
RS 232C signals:	TXD, RXD, RTS, CTS, DTR, DSR, RI, DCD, GND; all isolated from the S7-internal power supply
Max. transmission rate:	19.2 kbps (3964(R) procedure) 9.6 kbps (ASCII driver, printer driver)
Max. cable length:	15 m, cable type LIYCY 7 x 0.14
Standard:	DIN 66020, DIN 66259
EIA-RS 232C	CCITT V.24/V.28
Degree of protection:	IP 00

RS 232C signals

The table below shows the meaning of the RS 232C accompanying signals.

Table 1- 5 RS 232C interface signals

Signal	Designation	Meaning
TXD	Transmitted Data	Transmitted data; transmission line is maintained at logic "1" by the communication processor in idle state.
RXD	Received Data	Received data; receive line must be maintained at logic "1" by communication partner.
RTS	Request To Send	RTS "ON": Communication processor is ready to send. RTS "OFF": Communication processor is not sending.
CTS	Clear to send	Communication partner can receive data from the communication processor. The communication processor expects this signal in response to RTS "ON".
DTR	Data terminal ready	DTR "ON": Communication processor is active and ready for operation. DTR "OFF": Communication processor is not active and not ready for operation.
DSR	Data Set Ready	DSR "ON": Communication partner is active and ready for operation. DSR "OFF": Communication partner is not active and not ready for operation.
RI	Ring Indicator	Incoming call when connecting a modem
DCD	Data carrier detect	Carrier signal when connecting a modem

1.4 Properties of the serial interface

1.4.2 20mA–TTY interface on the CP 340–20mA-TTY

Definition

The 20mA-TTY interface is a current-loop interface used for serial data transmission.

Features

The 20mA-TTY interface has the following features and meets the following requirements:

Type:	Current-loop interface
Front connector:	9-pin sub D socket with screw-locking
20mA TTY signals	Two isolated 20 mA current sources, receiving loop (RX) "-" and "+" send loop (TX) "-" and "+"; all isolated from the S7-internal power supply
Max. baud rate:	Baud rate: 9.6 kbps
Max. cable length:	100 m active, 1000 m passive; Cable type LIYCY 7 x 0.14
Standard:	DIN 66258 Part 1
Degree of protection:	IP 00

1.4.3 X27 (RS 422/485) Interface of the CP 340–RS 422/485

Definition

The X27 (RS 422/485) interface is a voltage-difference interface for serial data transmission in compliance with the X27 standard.

Properties

The X27 (RS 422/485) interface has the following properties and fulfills the following requirements:

Type:	Differential voltage interface
Front connector:	15-pin sub-D female, with screwed interlock
RS 422 Signals:	T (A)-, R (A)-, T (B)+, R (B)+, GND; All isolated against the S7-internal power supply
RS 485 Signals:	R/T (A)-, R/T (B)+, GND; All isolated against the S7-internal power supply
Max. baud rate:	19.2 kbps (3964(R) procedure) 9.6 kbps (ASCII driver, printer driver)
Max. cable length:	1,200 m, cable type LIYCY 7 0.14
Standard:	DIN 66259 Parts 1 and 3, EIA-RS 422/485, CCITT V.11
Degree of protection:	IP 00

Note

The X27 (RS 422/485) interface can only be run in 4-wire mode with the 3964 procedure.

Basic Principles of Serial Data Transmission

2.1 Serial Transmission of a Character

Introduction

The system provides various networking options for the exchange of data between two or more communication partners. The simplest form of data interchange is via a point-to-point connection between two communication partners.

Point-to-point communication

In point-to-point communication the communications processor forms the interface between a programmable controller and a communication partner. In PtP communication with communication processor, data are transferred via serial interface.

Serial Transmission

In serial transmission, the individual bits of each byte of information are transmitted one after the other in a fixed order.

Unidirectional/Bidirectional Data Traffic

The CP 340 itself handles data transmission with communication partners via the serial interface. The CP 340 is equipped with three different drivers for this purpose.

- Unidirectional data traffic:
 - Printer Driver
- Bidirectional data traffic:
 - ASCII driver
 - 3964(R) procedure

The CP 340 handles data transmission via the serial interface in accordance with the interface type and the selected driver.

Unidirectional Data Traffic - Printer Output

In the case of printer output (printer driver), n bytes of user data are output to a printer. No characters are received. The only exception to this are data flow control characters (e.g. XON/XOFF).

Bidirectional Data Traffic - Operating Modes

The CP 340 has two operating modes for bidirectional data traffic:

- Half-duplex operation (3964(R) procedure, ASCII driver)

Data are exchanged between the communication partners, but only in one direction at a time. In half-duplex operation, therefore, at any one time data is being either sent or received. The exception to this may be individual control characters for data flow control (e.g. XON/XOFF), which can also be sent during a receive operation or received during a send operation.

- Full-duplex operation (ASCII driver)

Data are exchanged between two or more communication partners in both directions simultaneously. In full-duplex mode, data can be sent and received at the same time. Every communication partner must be able to operate a send and a receive facility simultaneously.

You can choose between half-duplex operation (RS 485) and full-duplex operation (RS 422) when using the CP 340-RS 422/485 module variant.

Asynchronous Data Transmission

With the communications processor, serial transmission occurs asynchronously. The so-called timebase synchronism (a fixed timing code used in the transmission of a fixed character string) is only upheld during transmission of a character. Each character to be sent is preceded by a synchronization impulse, or start bit. The length of the start-bit transmission determines the clock pulse. The end of the character transmission is signaled by the stop bit.

Declarations

As well as the start and stop bits, further declarations must be made between the sending and receiving partners before serial transmission can take place. These include:

- Transmission speed (baud rate)
- Character and acknowledgment delay times
- Parity
- Number of data bits
- Number of stop bits
- Number of setup and transmission attempts permitted

Chapters "Transmission integrity (Page 30)" and "Transmission mode in Point-to-Point Communication (Page 28)" describe the role the declarations play in the various transmission procedures, and how they are parameterized.

Character frame

Data is transmitted between the CP 340 and a communication partner via the serial interface in a 10-bit or 11-bit character frame. Three data formats are available for each character frame. You can assign parameters to the format you require using the **CP 340: Point-to-Point Communication, Parameter Assignment** parameterization interface.

10-Bit Character Frame

The figure below shows the three possible data formats for an 10-bit character frame.

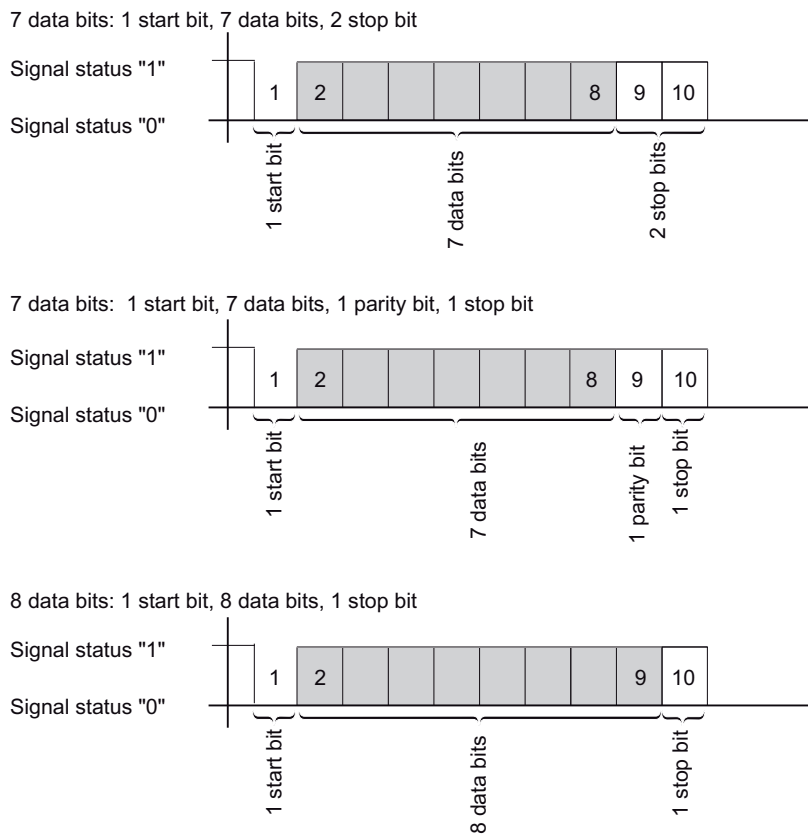
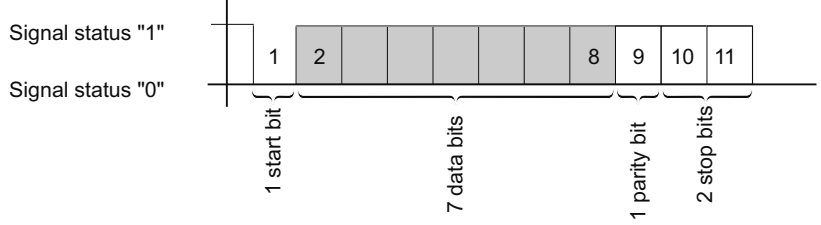


Figure 2-1 10-Bit Character Frame

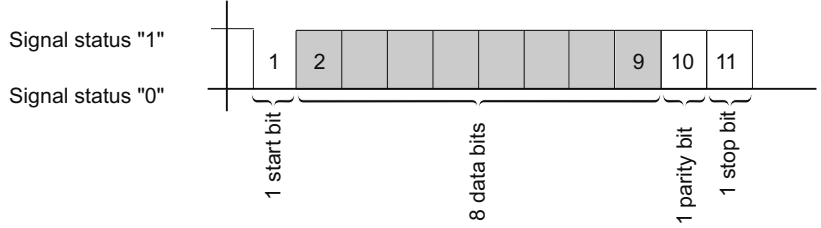
11-Bit Character Frame

The figure below shows the three possible data formats for an 11-bit character frame.

7 data bits: 1 start bit, 7 data bits, 1 parity bit, 2 stop bits



8 data bits: 1 start bit, 8 data bits, 1 parity bit, 1 stop bit



8 data bits: 1 start bit, 8 data bits, 2 stop bit

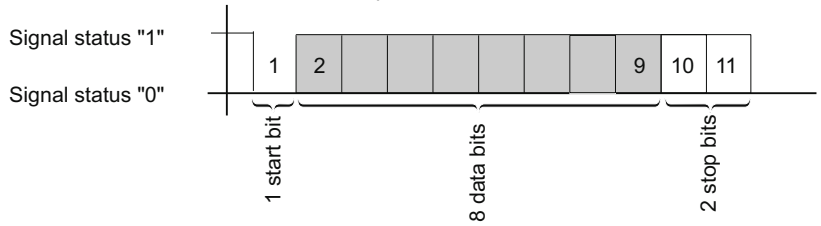


Figure 2-2 11-Bit Character Frame

Character Delay Time

The figure below shows the maximum time permitted between two characters received within a telegram. This is known as the character delay time.

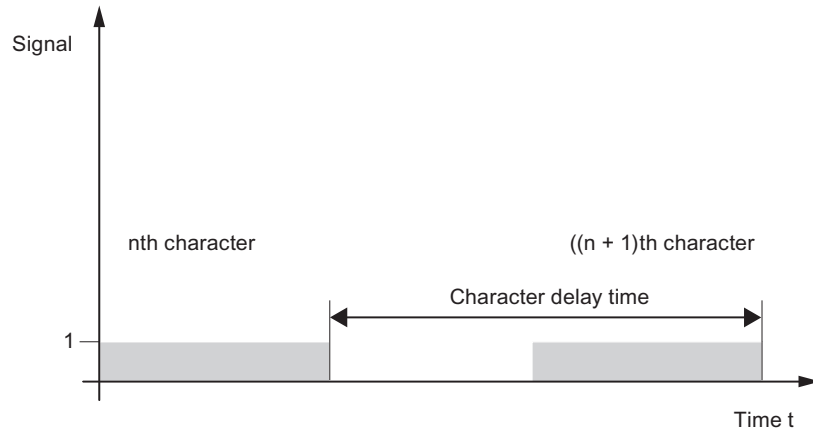


Figure 2-3 Character Delay Time

2.2 Transmission mode in Point-to-Point Communication

Introduction

When data are transmitted, all communication partners must adhere to a fixed set of rules for handling and implementing data traffic. The ISO has defined a 7-layer model, which is recognized as the basis for a worldwide standardization of transmission protocols for computer-to-computer communication.

ISO 7-Layer Reference Model for Data Transmission

All communication partners must adhere to a fixed set of rules for handling and implementing data traffic. Such rules are called protocols.

Protocol

A protocol defines the following points:

- Operating mode
Half-duplex or full-duplex operation
- Initiative
Which communication partners can initiate the transmission and under what conditions
- Control characters
Which control characters are to be used for data transmission
- Character frame
Which character frames are to be used for data transmission.
- Data backup
The data backup procedure to be used
- Character delay time
The time period within which an incoming character must be received.
- Transmission speed
The baud rate in bits/s

Procedure

This is the specific process according to which the data is transmitted.

ISO 7-Layer Reference Model

The reference model defines the external behavior of the communication partners. Each protocol layer, except for the lowest one, is embedded in the next one down.

The individual layers are as follows:

1. Physical layer
 - Physical conditions for communication, e.g. transmission medium, baud rate
2. Data-link layer
 - Security procedure for the transmission
 - Access modes
3. Network layer
 - Network connections
 - Addressing for communication between two partners
4. Transport layer
 - Error-recognition procedure
 - Debugging
 - Handshaking
5. Session layer
 - Establishing communication
 - Communication control
 - Terminating communication
6. Presentation layer
 - Conversion of the standard form of data representation of the communication system into a device-specific form (data interpretation rules)
7. Application layer
 - Defining the communication task and the functions it requires

Processing the Protocols

The sending communication partner runs through the protocols from the highest layer (no. 7 - application layer) to the lowest (no. 1 - physical layer), while the receiving partner processes the protocols in the reverse order, i.e. starting with layer 1.

Not all protocols have to take all 7 layers into account. If the sending and receiving partners both use the same protocol, layer 6 can be omitted.

2.3 Transmission integrity

Introduction

Transmission integrity plays an important role in the transmission of data and in selection of the transmission procedure. Generally speaking, the more layers of the reference model are applied, the greater the transmission integrity.

Classifying the Supplied Protocols

The CP 340 governs the following protocols:

- 3964(R) procedure
- ASCII driver
- Printer Driver

The figure below illustrates how these supplied protocols of the CP 340 fit into the ISO reference model:

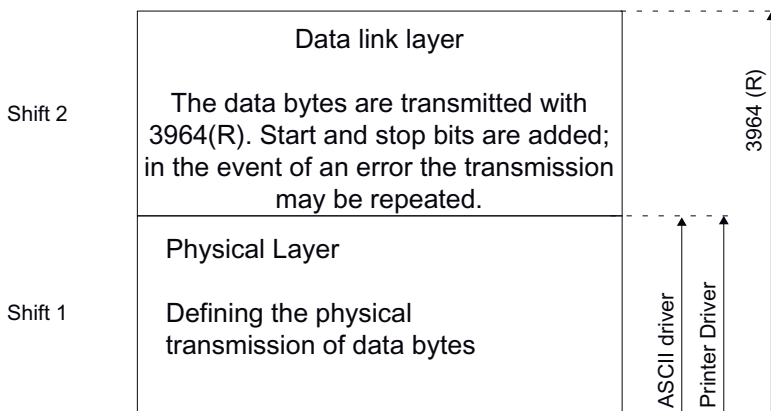


Figure 2-4 Position of the Supplied Protocols of the CP 340 in the ISO Reference Model

Transmission Integrity with the Printer Driver

Data Integrity When Using the Printer Driver:

- No data integrity precautions are taken for data transmission with the printer driver.
- To prevent data from being lost in the event of the printer receive buffer overflowing, you can work with data flow control (XON/XOFF, RTS/CTS).
- When data is output to the printer, the printer's BUSY signal is evaluated. The CP 340 receives the BUSY signal as a CTS signal and evaluates it in the same way (see ASCII driver). Please note that, when using CTS/RTS flow control, you must set the polarity of the BUSY signal to CTS = "OFF" on the printer.

Transmission Integrity with the ASCII Driver

Data Integrity When Using the ASCII Driver:

- When data is transmitted via the ASCII driver, there are no data integrity precautions other than the use of a parity bit (can also be canceled, depending on how the character frame is set). This means that, although this type of data transport has a very efficient throughput rate, security is not guaranteed.
- Using the parity bit ensures that the inversion of a bit in a character to be transmitted can be recognized. If two or more bits of a character are inverted, this error can no longer be detected.
- To increase transmission integrity, a checksum and length specification for a message frame can be employed. These measures must be implemented by the user.
- A further increase in data integrity can be achieved by means of acknowledgment message frames in response to send or receive message frames. This is also the case with high-level protocols for data communication (see ISO 7-layer reference model).

Transmission Integrity with 3964(R)

Enhanced Data Integrity with the 3964(R) Procedure:

- The Hamming distance with the 3964(R) is 3. This measures the integrity of data transmission.
- The 3964(R) procedure ensures high transmission integrity on the data line. This high integrity is achieved by means of a fixed message-frame set-up and clear-down as well as the use of a block check character (BCC).

Two different procedures for data transmission can be used, either with or without a block check character:

- data transmission without a block check character: 3964
- data transmission with a block check character: 3964R

In this manual, the designation 3964(R) is used when descriptions and notes refer to both data transmission procedures.

Performance Limits with 3964(R)

- Further processing of the send/receive data by the PLC program in the communication partner is not guaranteed. You can only ensure this by using a programmable acknowledgment mechanism.
- The block check of the 3964R procedure (EXOR operation) cannot detect missing zeros (as a whole character) because a zero in the EXOR operation does not affect the result of the calculation.

Although the loss of an entire character (this character has to be a zero!) is highly unlikely, it could possibly occur under very bad transmission conditions.

You can protect a transmission against such errors by sending the length of the data message along with the data itself, and having the length checked at the other end.

2.4 Data Transmission with the 3964(R) Procedure

Introduction

The 3964(R) procedure control PtP data exchange between the communications processor and a communication partner. As well as the physical layer (layer 1), the 3964(R) procedure also incorporates the data-link layer (layer 2).

2.4.1 Control characters

Introduction

During data transmission, the 3964(R) procedure adds control characters to the user data (data-link layer). These control characters allow the communication partner to check whether the data has arrived complete and without errors.

The control characters of the 3964(R) Procedure

The 3964(R) procedure analyzes the following control codes:

- STX Start of Text;
Start of the string to be transmitted
- DLE Data Link Escape;
Data Link Escape
- ETX End of Text;
End of string to be transmitted
- BCC Block Check Character (only with 3964R);
Block Check Character
- NAK Negative Acknowledgement;
Negative Acknowledgement

Note

If DLE is transmitted as an information string, it is sent twice so that it can be distinguished from the control code DLE during connection setup and release on the send line (DLE duplication). The receiver then reverses the DLE duplication.

Priority

With the 3964(R) procedure, one communication partner must be assigned a higher priority and the other partner a lower priority. If both partners try to send at the same time, the partner with the lower priority will defer its send request.

2.4.2 Block Checksum

Block Checksum

With the 3964R transmission protocol, data integrity is increased by the additional sending of a block check character (BCC).

Message frame:

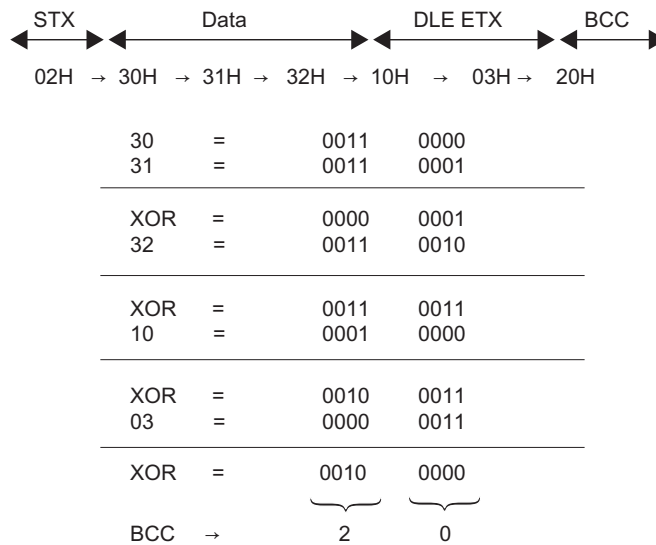


Figure 2-5 Block Checksum

The block checksum is the even longitudinal parity (EXOR operation on all data bytes) of a sent or received block. Its calculation begins with the first byte of user data (first byte of the message frame) after the connection setup, and ends after the DLE ETX code on connection release.

Note

If DLE duplication occurs, the DLE code is accounted for twice in the BCC calculation.

2.4.3 Sending Data with 3964(R)

Process of Data Transmission when Sending

The figure below illustrates the transmission sequence when data is sent with the 3964(R) procedure.

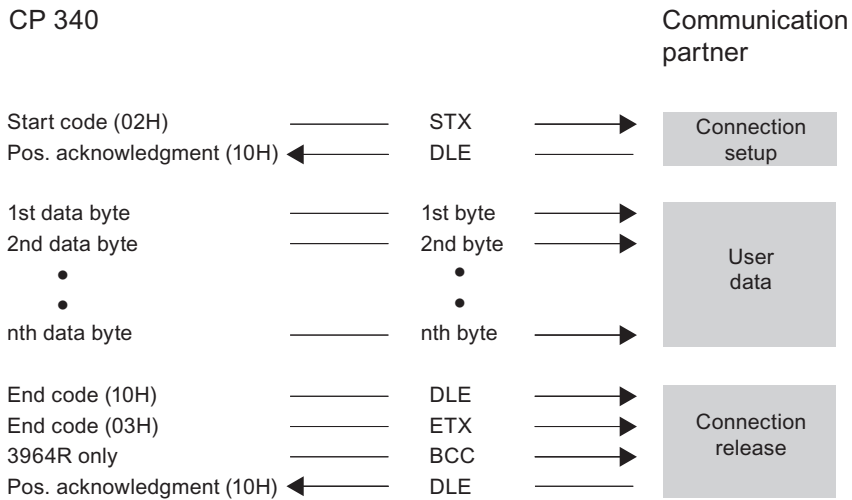


Figure 2-6 Data Traffic when Sending with the 3964(R) Procedure

Establishing a Send Connection

To establish the connection, the 3964(R) procedure sends the control code STX. If the communication partner responds with the DLE code before the acknowledgment delay time expires, the procedure switches to send mode.

If the communication partner answers with NAK or with any other control code (except for DLE), or the acknowledgment delay time expires without a response, the procedure repeats the connection setup. After the defined number of unsuccessful connection attempts, the procedure aborts the connection setup and sends the NAK code to the communication partner. The system program reports the error to the function block P_SEND (output parameter STATUS).

Sending Data

If a connection is successfully established, the user data contained in the output buffer of the CP 340 is sent to the communication partner with the chosen transmission parameters. The partner monitors the times between incoming characters. The interval between two characters must not exceed the character delay time (CDT).

Releasing a Send Connection

If the communication partner sends the NAK control code during an active send operation, the procedure aborts its transmission of the block and tries again as described above. If a different code is sent, the procedure first waits for the character delay time to expire and then sends the NAK code to change the mode of the communication partner to idle. Then the procedure starts to send the data again with the connection setup STX.

Once the contents of the buffer have been sent, the procedure adds the codes DLE, ETX and **with the 3964R only** the block checksum BCC as the end identifier, and waits for an acknowledgment code. If the communication partner sends the DLE code within the acknowledgment delay time, the data block has been received without errors. If the communication partner responds with NAK, any other code (except DLE), or a damaged code, or if the acknowledgment delay time expires without a response, the procedure starts to send the data again with the connection setup STX.

After the defined number of attempts to send the data block, the procedure stops trying and sends an NAK to the communication partner. The system program reports the error to the function block P_SEND (output parameter STATUS).

Sending with the 3964(R) procedure

The figure below illustrates sending with the 3964(R) procedure.

Sending with procedure 3964(R)

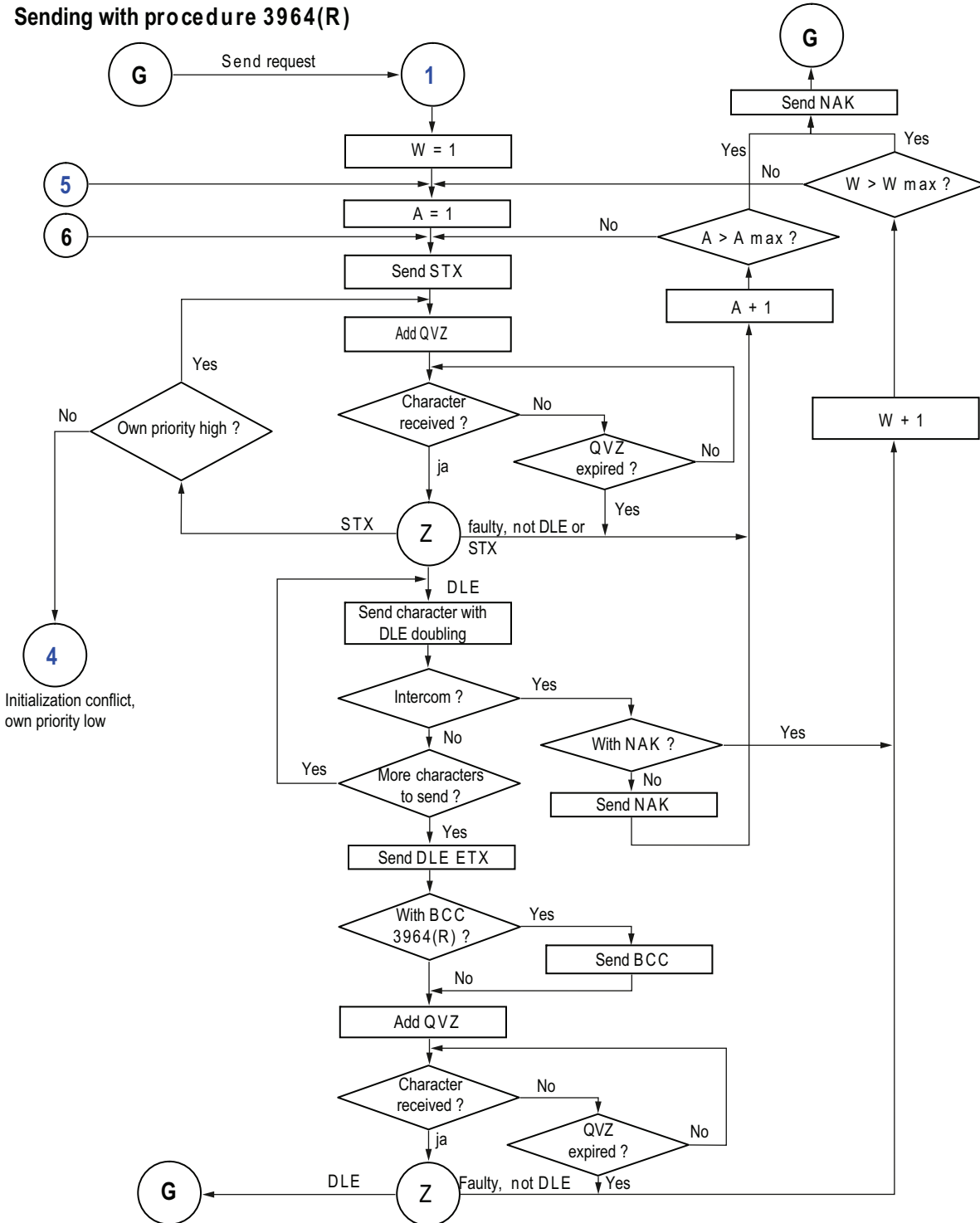


Figure 2-7 Flow diagram of sending with the 3964(R) procedure

- C: Counter for connection attempts
- R: Counter for retries
- D: Default state
- W: Waiting for character reception

2.4.4 Receiving Data with 3964(R)

Process of Data Transmission when Receiving

The figure below illustrates the transmission sequence when data is received with the 3964(R) procedure.

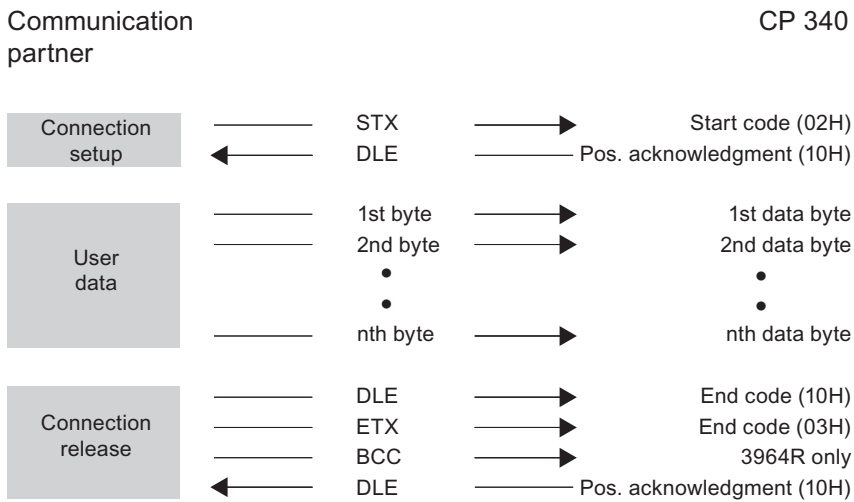


Figure 2-8 Data Traffic when Receiving with the 3964(R) Procedure

Establishing a Receive Connection

In idle mode, when there is no send request to be processed, the procedure waits for the communication partner to establish the connection.

If the idle procedure receives any control code except for STX or NAK, it waits for the character delay time to expire, then sends the code NAK.

receiving data

If the procedure receives the STX code and an empty receive buffer is available, it responds with DLE. Incoming receive characters are now stored in the receive buffer. If two consecutive DLE codes are received, only one of these is stored in the receive buffer.

After each receive character, the procedure waits out the character delay time for the next character. If this period expires before another character is received, an NAK is sent to the communication partner. The system program then reports the error to the function block P_RCV (output parameter STATUS).

If no empty receive buffer is available during a connection setup with STX, a wait time of 400 ms is started. If there is still no empty receive buffer after this time has expired, the system program reports the error (error message in STATUS output of FB), and the procedure sends a NAK and returns to idle mode. Otherwise, the procedure sends a DLE and receives the data as described above.

Releasing a Receive Connection

If transmission errors occur during receiving (lost character, frame error, parity error, etc.), the procedure continues to receive until the connection is shut down, then an NAK is sent to the communication partner. A repetition is then expected. If the undamaged block still cannot be received after the number of repeat attempts defined on parameter assignment, or if the communication partner does not start the repetition within a block wait time of 4 seconds, the procedure aborts the receive operation. The system program then reports the error to the function block P_RCV (output parameter STATUS).

When the **3964** procedure detects a DLE ETX character string, it stops receiving and confirms that the block has been successfully received by sending a DLE character to the communication partner. When errors are found in the received data, it outputs a NAK signal to the communication partner. A repetition is then expected.

If the **3964R** procedure detects the string DLE ETX BCC, it stops receiving. If the BCC is correct and no other receive errors have occurred, the CP 340 sends the code DLE to the communication partner. If the BCC is correct and no other receive errors have occurred, the 3964R procedure sends a DLE and returns to idle mode. If the BCC is faulty or a different receiving error occurs, an NAK is sent to the communication partner. A repetition is then expected.

Note

As soon as it is ready, the 3964(R) procedure sends a single NAK to the communication partner to set the latter to idle.

Receiving with the 3964(R) procedure

The figure below illustrates receiving with the 3964(R) procedure.

Receiving with procedure 3964(R) (part 1)

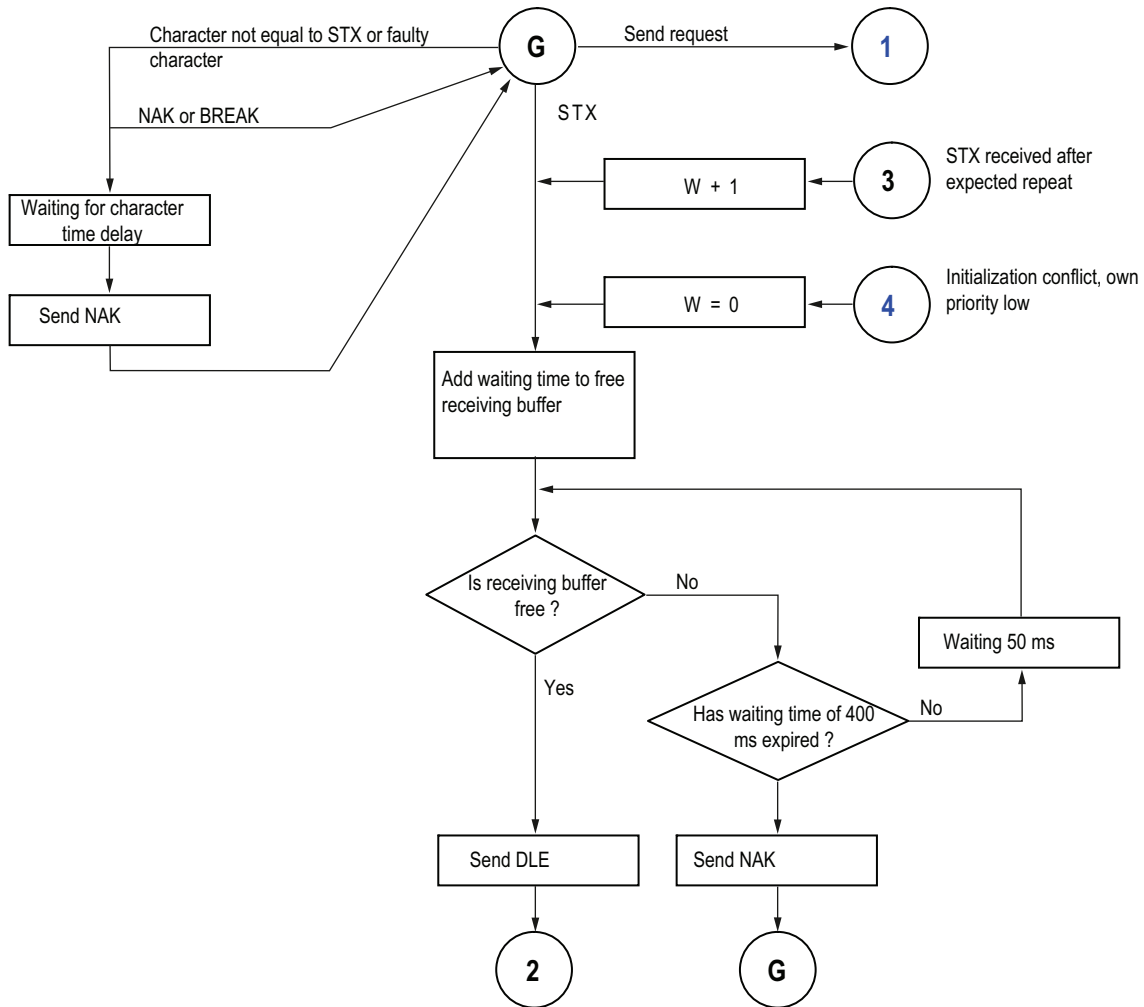


Figure 2-9 Flow diagram of receiving with the 3964(R) procedure (part 1)

R: Counter for retries

D: Default state

Receiving with the 3964(R) procedure (part 2)

The figure below illustrates receiving with the 3964(R) procedure.

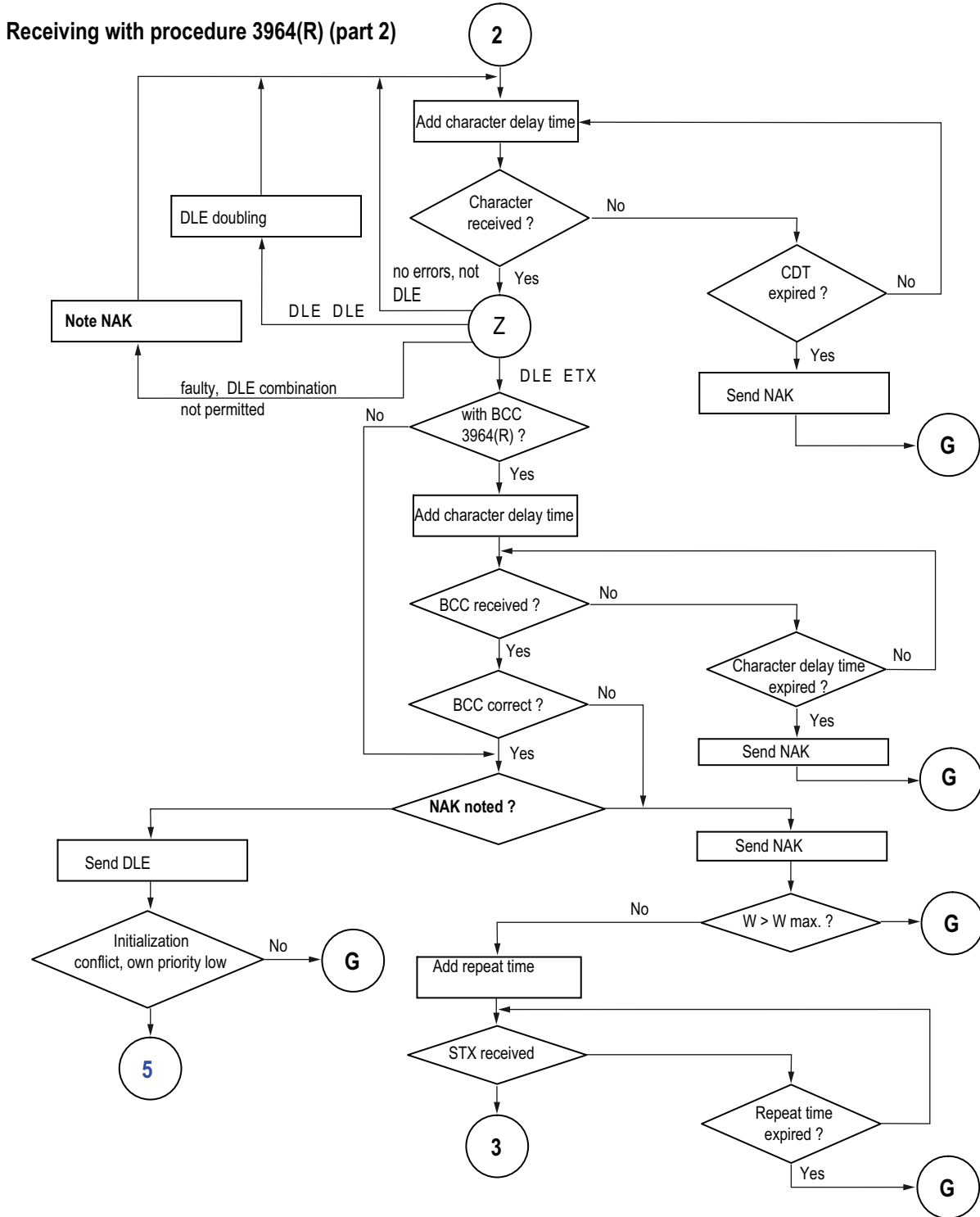


Figure 2-10 Flow diagram of receiving with the 3964(R) procedure (part 2)

R: Counter for retries

D: Default state

W: Waiting for character reception

2.4.5 Handling Errored Data

Handling errored data

The figure below illustrates how errored data is handled with the 3964(R) procedure.

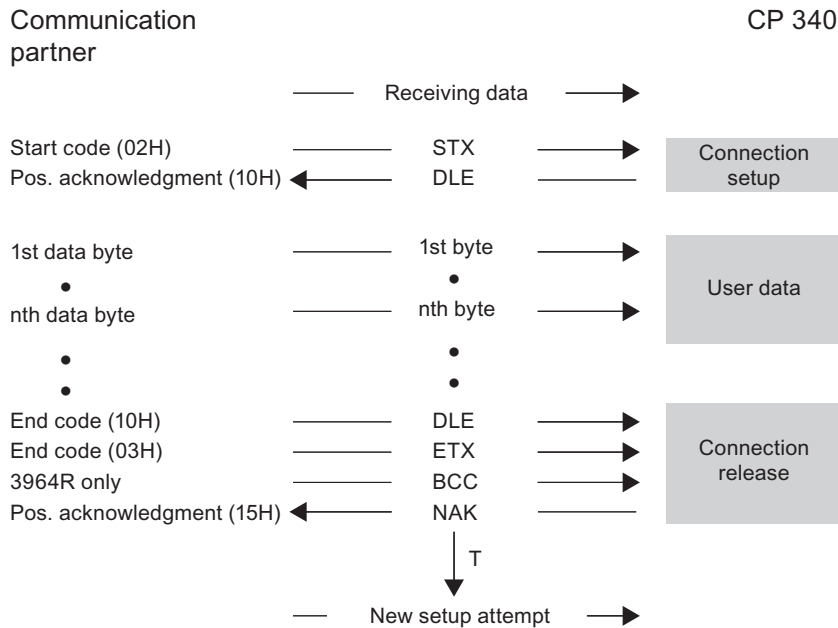


Figure 2-11 Data traffic when receiving errored data

When DLE, ETX, BCC is received, the CP 340 compares the BCC of the communication partner with its own internally calculated value. If the BCC is correct and no other receive errors occur, the CP 340 responds with DLE.

Otherwise, it responds with an NAK and waits the block wait time (T) of 4 seconds for a new attempt. If after the defined number of transmission attempts the block cannot be received, or if no further attempt is made within the block wait time, the CP 340 aborts the receive operation.

Initialization conflict

The figure below illustrates the transmission sequence during an initialization conflict.

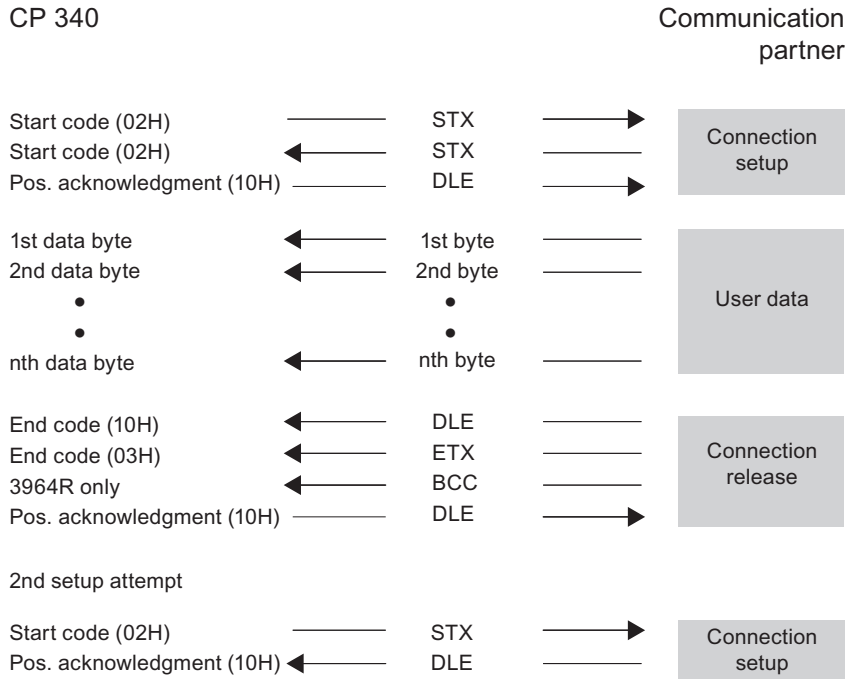


Figure 2-12 Data traffic during an initialization conflict

If a device responds to the communication partner's send request (code STX) within the acknowledgment delay time by sending the code STX instead of the acknowledgment DLE or NAK, an initialization conflict occurs. Both devices want to execute a send request. The device with the lower priority withdraws its send request and responds with the code DLE. The device with the higher priority sends its data in the manner described above. Once the connection has been terminated, the lower-priority device can execute its send request.

To be able to resolve initialization conflicts you must parameterize different priorities for the communication partners.

Procedure errors

The procedure recognizes both errors caused by the communication partner and errors caused by faults on the line.

In both cases, the procedure makes repeated attempts to send/receive the data block correctly. If this is not possible within the maximum number of repeat attempts set (or if a new error status occurs), the procedure aborts the send or receive process. It reports the error number of the first error detected and returns to idle state. These error messages are displayed in the STATUS output of the FB.

If the system program frequently reports an error number at the STATUS output of the FB for send and receive repetitions, this implies occasional disturbances in data traffic. The high repetition frequency balances this out, however. In this case you are advised to check the transmission link for possible sources of interference, because frequent repetitions reduce the user-data rate and integrity of the transmission. The disturbance could also be caused, however, by a malfunction on the part of the communication partner.

If the receive line is interrupted, the system program reports a BREAK status (a break is displayed via the diagnostic interrupt on the CP 340) (see Chapter "Diagnostics via the S7-300 backplane bus (Page 142)"). No repetition is started. The BREAK status in the STATUS output of the FB is automatically reset as soon as the connection is restored on the line. A BREAK evaluation occurs only if BREAK monitoring is not deactivated with the parameter assignment user interface.

For every detected transmission error (lost character, frame or parity error), a standard number is reported, regardless of whether the error was detected during sending or receiving of a data block. The error is only reported, however, following unsuccessful repetitions.

2.5 Data transfer using the ASCII driver

Introduction

The ASCII driver controls data transmission via a point-to-point connection between the CP 340 and a communication partner. This driver contains the physical layer (layer 1).

The structure of the message frames is left open through the S7 user passing on the complete send message frame to the CP 340. For the receive direction, the end criterion of a message must be parameterized. The structure of the send message frames may differ from that of the receive message frames.

The ASCII driver allows data of any structure (all printable ASCII characters as well as all other characters from 00 through FFH (with 8 data bit character frames) or from 00 through 7FH (with 7 data bit character frames)) to be sent and received.

2.5.1 RS 232C accompanying signals

RS 232C accompanying signals

The following RS 232C accompanying signals are available on the CP 340-RS 232C:

- **DCD** (input) Data carrier detect;
Data carrier detected
- **DTR** (output) Data terminal ready;
CP 34x ready for operation
- **DSR** (input) Data set ready;
Communication partner ready for operation
- **RTS** (output) Request to send;
CP 34x ready to send
- **CTS** (input) Clear to send;
Communication partner can receive data from CP 34x
(Response to RTS = ON of the CP 34x)
- **RI** (input) Ring Indicator;
Ring Indicator

When the CP 340-RS 232C is switched on, the output signals are in the OFF state (inactive).

You can parameterize the use of the DTR/DSR and RTS/CTS control signals by means of the **CP 340: Point-to-Point Communication, Parameter Assignment** user interface or control them via functions (FCs) in the user program.

Using RS 232C accompanying signals

The RS 232C accompanying signals can be used as follows:

- When automatic control of all RS 232C accompanying signals is configured
- When data flow control (RTS/CTS) is configured
- By means of the V24_STAT and V24_SET FCs

Note

When automatic control of the RS 232C accompanying signals is configured, neither RTS/CTS data flow control nor RTS and DTR control by means of the V24_SET FC are possible. |When RTS/CTS data flow control is configured, RTS control by means of the V24_SET FC is not possible.

On the other hand, it is always possible to read all RS 232C accompanying signals by means of the V24_STAT FC.

The sections that follow describe the basic principles for controlling and evaluating RS 232C accompanying signals.

Automatic control of accompanying signals

Automatic control of RS 232C accompanying signals on the CP 340 is implemented as follows:

- As soon as the CP 340 is configured for operation in a mode with automatic control of the RS 232C accompanying signals, it sets the RTS line to OFF and the DTR line to ON (CP 340 ready for operation).

This prevents the transfer of telegrams until the DTR line is set to ON. No data can be received at the RS 232C interface as long as DTR = OFF. Any send jobs will be cancelled with a corresponding error message.

- When a send job is pending, RTS is set to ON and the configured data output wait time starts. When the data output time elapses and CTS = ON, the data is sent via the RS 232C interface.
- If the CTS line is not set to ON within the data output wait time or CTS changes to OFF during transfer, the module aborts the send job and generates an error message.
- Once the data has been sent and the configured clear RTS time has elapsed, the RTS line is set to OFF. CP 340 does not wait for a CTS transition to OFF.

- Data can be received via the RS 232C interface as soon as the DSR line is set to ON. If the CP 340's receive buffer is close to overflow, the CP 340 will not respond.
- An active send job or data receiving operation will be cancelled and an error message output if DSR changes from ON to OFF. The message "DSR = OFF (automatic use of V24 signals)" is entered in the diagnostic buffer of the CP 340.

Note

When automatic control of the RS 232C accompanying signals is configured, neither RTS/CTS data flow control nor RTS and DTR control by means of the V24_SET FC are possible.

Timing diagram

The figure illustrates the chronological sequence of a send job.

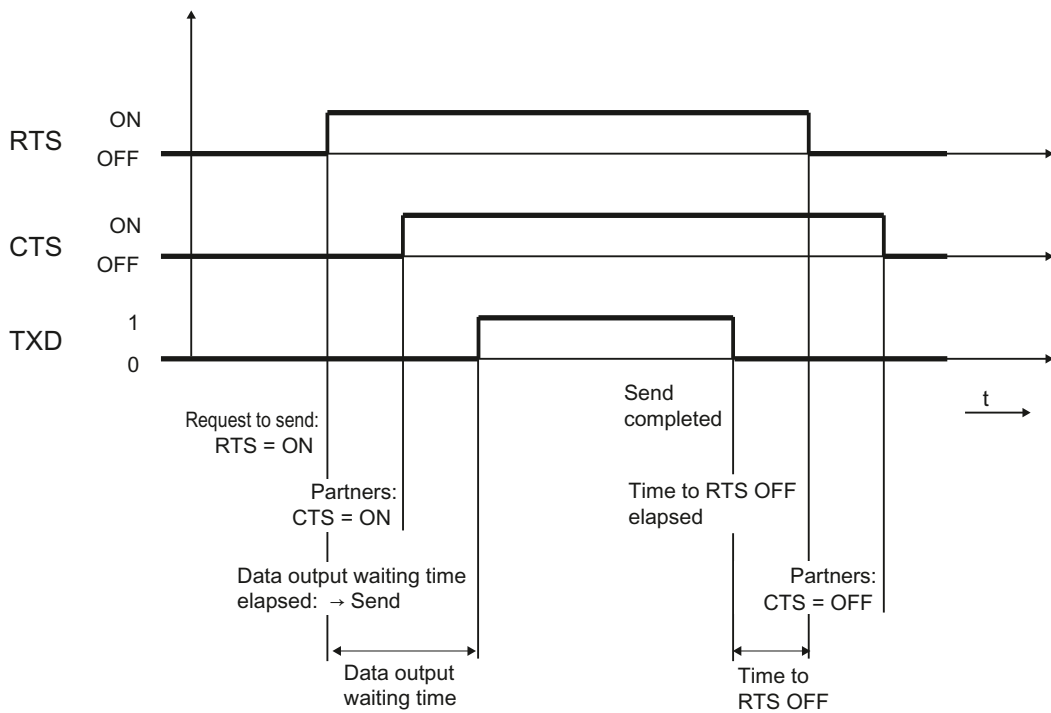


Figure 2-13 Timing diagram for automatic control of RS 232C accompanying signals

Data flow control/Handshaking

Handshaking controls the data flow between two communication partners. Handshaking ensures that data is not lost in transmissions between devices that work at different speeds. There are essentially two types of handshaking:

- Software handshaking (e.g., XON/XOFF)
- Hardware handshaking (e.g., RTS/CTS)

Data flow control on the CP 340 is implemented as follows:

- As soon as the CP 340 is configured for operation in a mode with flow control, it sends the XON character or sets the RTS line to ON.
- When the programmed number of telegrams or 50 characters are reached before the receive buffer overflows (size of the receive buffer: 1,024 bytes), the CP 340 sends the XOFF character or sets the RTS line to OFF. If the communication partner ignores this state and continues transmission, an error message is generated if the receive buffer overflows. The data received in the last telegram will be discarded.
- As soon as a telegram is fetched by the S7 CPU and the receive buffer is ready to receive, the CP 340 sends the XON character or sets the RTS line to ON.
- The CP 340 interrupts transmission if it receives the XOFF character or when control signal CTS is set to OFF. If neither an XON character is received nor CTS is set to ON once a configured time has elapsed, transmission is aborted and an appropriate error message (0708H) is generated at the STATUS output of the function blocks.

Note

When RTS/CTS data flow control is configured, you must fully wire the interface signals used in the plug connection (see Appendix "Connecting Cables (Page 165)"). |When RTS/CTS data flow control is configured, RTS control by means of the V24_SET FC is not possible.

Tasks of the V24_STAT/SET FC

The V24_STAT function can be used to determine the status of each RS 232C accompanying signal. The V24_SET function can be used to control the DTR and RTS output signals.

2.5.2 Sending Data with the ASCII Driver

Sending

When sending data, specify the number of bytes of user data to be transmitted as the "LEN" parameter when you call the P_SEND function block. The user data must contain any required start-of-text and end-of-text characters.

If you are working with the end criterion "character delay time expired" when receiving data, the ASCII driver will pause between two frames, even when sending. You can call the P_SEND FB at any time, but the ASCII driver does not begin its output until a period longer than the parameterized character delay time has elapsed since the last frame was sent.

Note

When XON/XOFF flow control is parameterized, the user data must not contain the parameterized XON or XOFF characters. The default settings are DC1 = 11H for XON and DC3 = 13H for XOFF.

Sending data

The figure below illustrates a send operation.

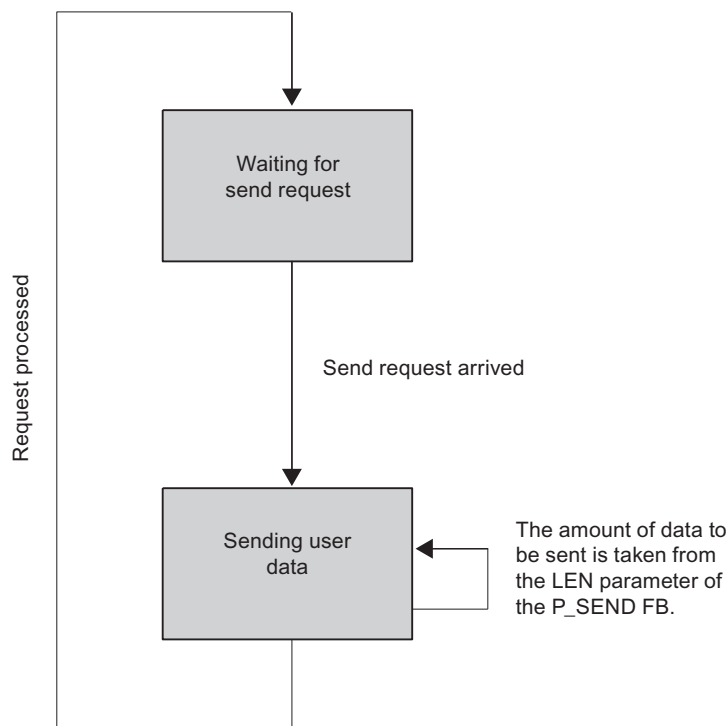


Figure 2-14 Flowchart of a send operation

2.5.3 Receiving Data with the ASCII Driver

Selectable End Criteria

For data transmission using the ASCII driver you can choose between three different end criteria. The end criterion defines when a complete message frame is received. The possible end criteria are as follows:

- Expiration of the character delay time
The message frame has neither a fixed length nor a defined end-of-text character; the end of the message is defined by a pause on the line (expiration of character delay time).
- On Receipt of End Character(s)
The end of the message frame is marked by one or two defined end-of-text characters.
- On Receipt of Fixed Number of Characters
The length of the receive message frames is always identical.

Code transparency

The code transparency of the procedure depends on the choice of configured end criterion and flow control:

- With one or two end-of-text characters
 - not code-transparent
- When end criterion is character delay time or fixed message frame length
 - code-transparent
- Code-transparent operation is not possible when the flow control XON/XOFF is used.

Code-transparent means that any character combinations can occur in the user data without the end criterion being recognized.

End Criterion "Expiration of Character Delay Time"

When data is received, the end of the message frame is recognized when the character delay time expires. The received data is taken over by the CPU with the function block P_RCV.

In this case the character delay time must be set such that it easily expires between two consecutive message frames. But it should be long enough so that the end of the message frame is not falsely identified whenever the partner in the link takes a send pause within a message frame.

The figure below illustrates a receive operation with the end criterion "Expiration of character delay time".

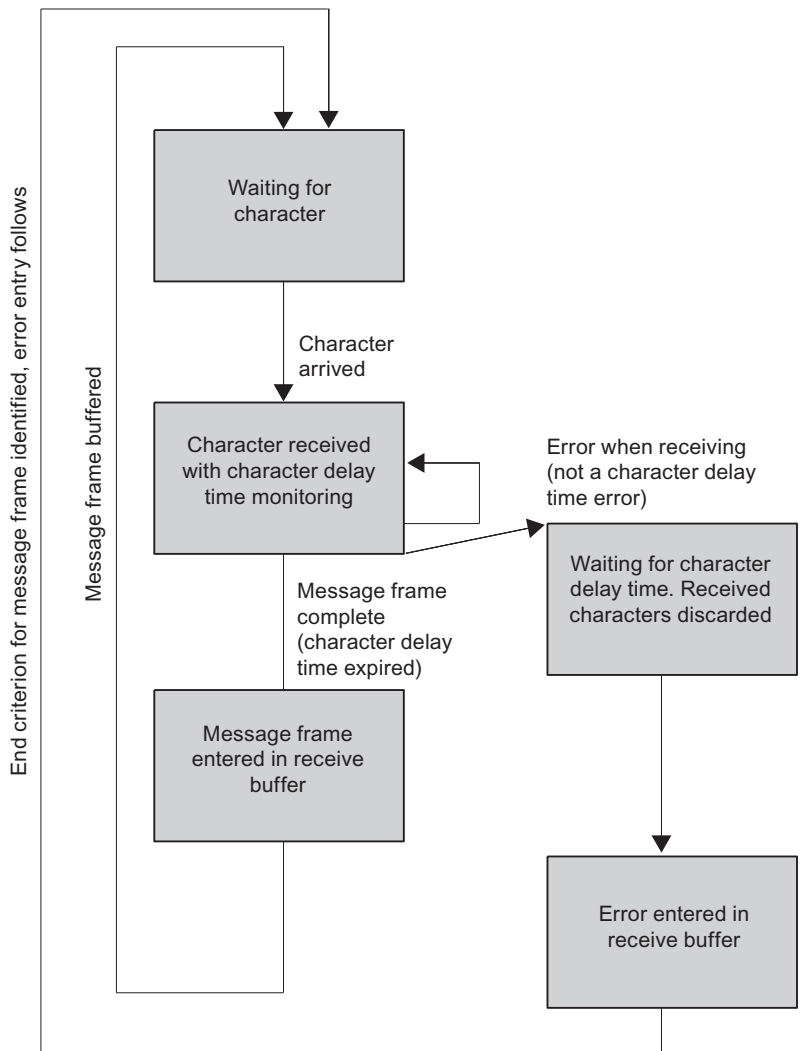


Figure 2-15 Sequence of Receive Operation with End Criterion "Expiration of Character Delay Time"

End Criterion End-of-Text Character

When data is received, the end of the message frame is recognized when the configured end-of-text character(s) arrive. The received data, including the end-of-text character, is taken over by the CPU with the function block P_RCV.

If the character delay time expires while the message frame is being received, the receive operation is terminated. An error message is issued and the message frame fragment is discarded.

If you are working with end-of-text characters, transmission is not code-transparent, and you must make sure that the end code(s) do not appear in the user data of the user.

The figure below illustrates a receive operation with the end criterion "End-of-text character".

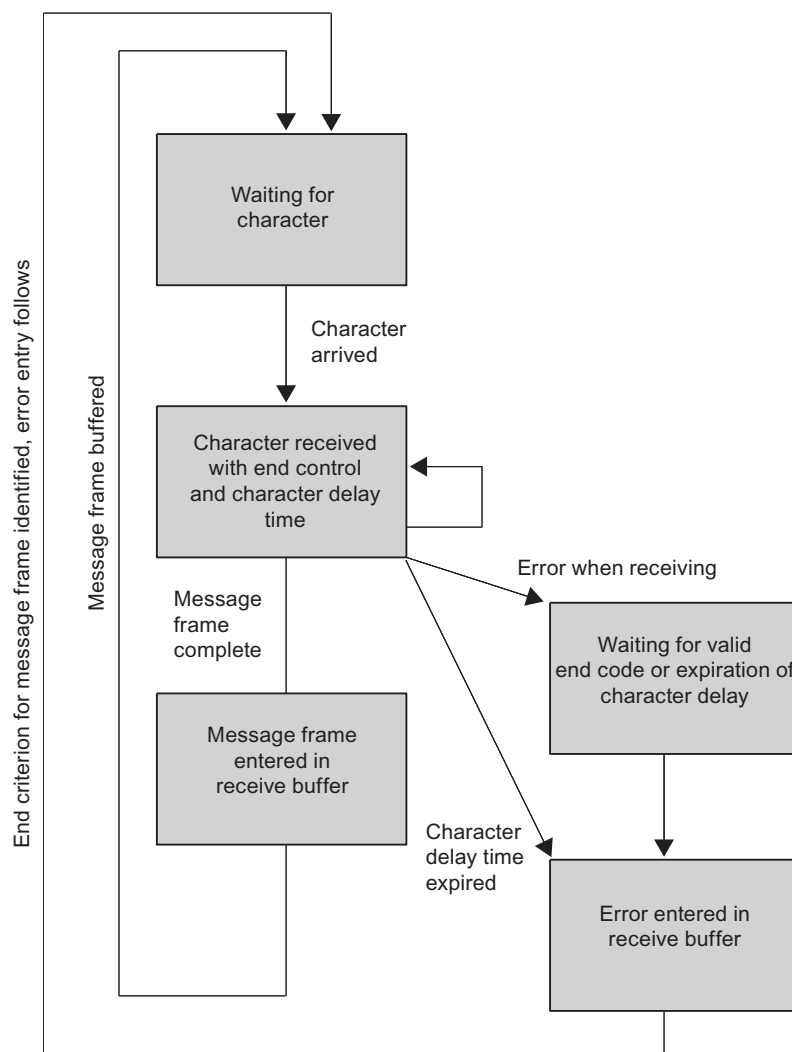


Figure 2-16 Sequence of Receive Operation with End Criterion "End-of-Text Character"

End Criterion Fixed Message Frame Length

When data is received, the end of the message frame is recognized when the configured number of characters has arrived. The received data is taken over by the CPU with the function block P_RCV.

If the character delay time expires before the configured number of characters has been reached, the receive operation is terminated. An error message is issued and the message frame fragment is discarded.

The figure below illustrates a receive operation with the end criterion "Fixed message frame length".

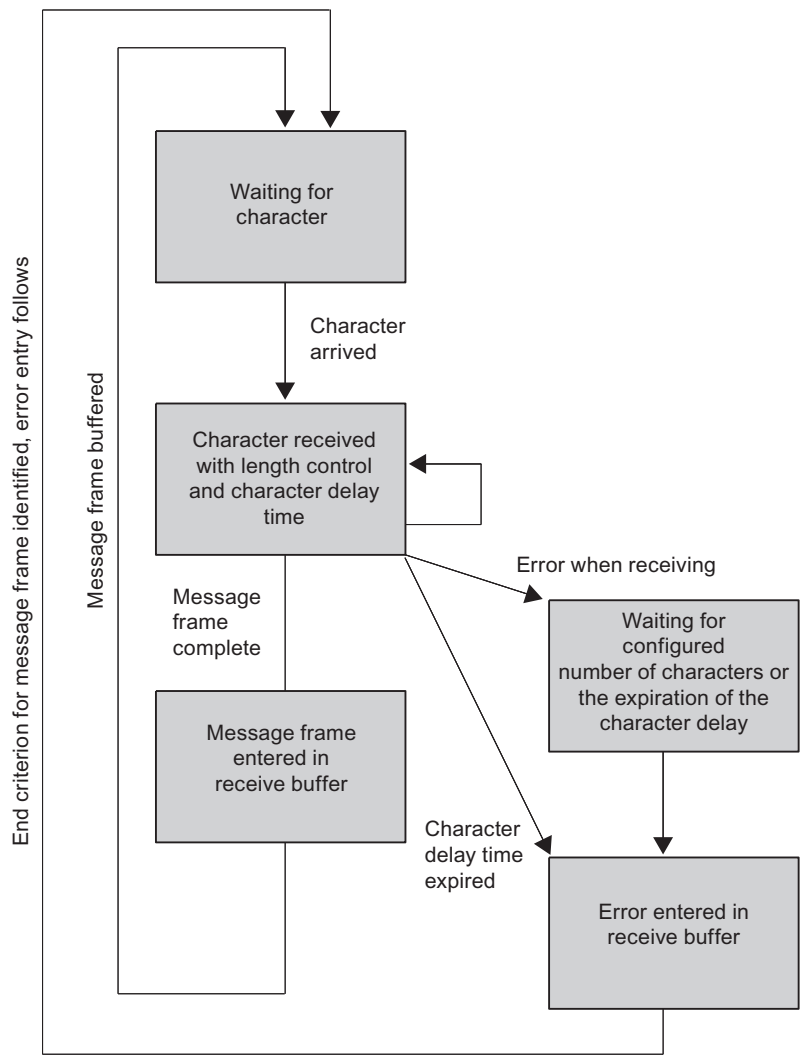


Figure 2-17 Sequence of Receive Operation with End Criterion "fixed message frame length"

2.5.4 BREAK - Monitoring on CP 340

BREAK evaluation

A BREAK evaluation occurs only if the BREAK monitoring is not deactivated with the parameter assignment user interface.

2.5.5 Receive Buffer on CP 340

Receive buffer on CP 340

The CP 340 receive buffer accommodates 1,024 bytes. On parameterization, you can specify whether the CP receive buffer is to be deleted on startup and whether the overwriting of data in the receive buffer is to be prevented. You can also specify the range of values (1 to 250) for the number of buffered received telegrams.

The receive buffer on the CP 340 is a ring buffer:

- If multiple telegrams are written to the CP 340's receive buffer: The CP 340 always sends the oldest telegram to the CPU.
- If you only ever want to transfer the last telegram received to the CPU, you must assign the value "1" for the number of buffered telegrams **and** deactivate overwrite protection.

Note

If continuous reading of received data is interrupted for a certain time in the user program and new received data are requested, the CP 340 might first receive an old telegram before the latest telegram received is sent to the CPU. The old telegram is the telegram which was en route between the CP 340 and the CPU at the time of the interruption, or the telegram which had already been received by the FB.

See also

Behavior of the CP 340 on Operating Mode Transitions of the CPU (Page 129)

2.6 Data transmission with the printer driver

Introduction

The printer driver allows you to output date- and time-stamped message texts to a printer. This enables you to monitor simple processes, print error or fault messages or issue instructions to operating personnel, for example.

The printer driver contains the physical layer (layer 1).

Message texts and parameters for printout

With the **CP 340: Point-to-Point Communication, Parameter Assignment** user interface, you can configure the message texts and set the parameters (page layout, character set, control characters) for printout. Message texts and printout parameters are transmitted to the CP 340 together with the module parameters when it starts up.

Message texts:

You can configure message texts with variables and control statements (e.g., for bold, condensed, expanded, or italic type and underlining). Each message text is assigned a number during configuration. A message text is printed if its number is specified in a format string when the P_PRINT function block is called.

You must have stored the format string and variables in data blocks beforehand (see Chapter "Communication via Function Blocks (Page 103)").

Page layout:

You can configure the margins, possible line breaks and headers and footers.

Character set:

The ANSI character set is converted to the printer character set by STEP 7 by means of a character conversion table. You can change a character conversion table suggested for a printer type in order to include special characters required for a particular language, for example.

Control characters:

You can use a control character table to change the control statements in the message text for the printer emulation for switching on and off bold, condensed, expanded, or italic type and underlining, and to add other control characters.

Variables

Up to 4 variables (3 + a message text number) can be displayed in a message text. The values of variables can be transmitted from the CPU to the CP 340. The following can be displayed as variables: Calculated values of the user program, such as: levels), date and time, strings (string variables), or other message texts.

A conversion statement must be specified in the configured message text or in the format string for each variable, and the meaning and output format of the variable value must be encoded in this statement.

Format string

The format string allows you to define the display type and composition of a message text. The format string can consist of:

- Text (all printable characters, for example: The level ... I was reached at ... hours.)
- Conversion statements for variables (e.g., %N = pointer to message text number x, where x is the value of a variable (see example 2 below)).

There must be one (and only one) conversion statement for each variable in the format string or configured message text. The conversion statements are applied to the variables in the sequence in which they occur.

- Control statements with control characters for bold, condensed, expanded, italic, and underlining (e.g., \B = bold type on) or with additional control characters you have defined

You can use other control characters if you enter them in the control character table in the **CP 340: Point-to-Point Communication, Parameter Assignment** user interface and reset the CP 340 parameters.

Additional information is available in the section "Conversion and Control Statements for Printer Output (Page 77)".

Additional functions

In addition to outputting message texts, you can use the following functions for printout. To execute one of these functions, simply specify it in the format string in the same way.

- Set page number (format string = %P)
- Begin new page (format string = \F)
- Print with/without line break (\x at the end of the format string)

Please note that a line feed is carried out by default after each output.

Examples

Example 1: The level "200" l was reached at "17:30" hours.

Format string = The level %i l was reached at %Z hours.

Variable 1 = time

Variable 2 = level

Example 2: The pressure in the chamber "is falling"

Format string = %N %S

Variable 1 = 17 (message text no. 17: The pressure in the chamber ...)

Variable 2 = reference to string (string variable: ... is falling)

Example 3: (Setting the page number to 10)

Format string = %P

Variable 1 = 10 (page number: 10)

Printout

To output n bytes of user data to a printer, specify the block number of a pointer DB when calling the P_PRINT function block. The pointers to the data blocks are stored in the pointer DB together with the format string and the variables and in a specific order (see Chapter "Using function blocks for the output of message texts to a printer (Page 113)").

During output the data is edited for printing. Print editing is performed as configured in the **CP 340: Point-to-Point Communication, Parameter Assignment** user interface (page layout, character set, control characters, etc.).

Characters are not received during printout, with the exception of any flow control characters that have been configured. Any characters received are not adopted.

Note

When XON/XOFF flow control is parameterized, the user data must not contain the parameterized XON or XOFF characters. The default settings are DC1 = 11H for XON and DC3 = 13H for XOFF.

Outputting a message text

The figure below illustrates the sequence of operations for a printout.

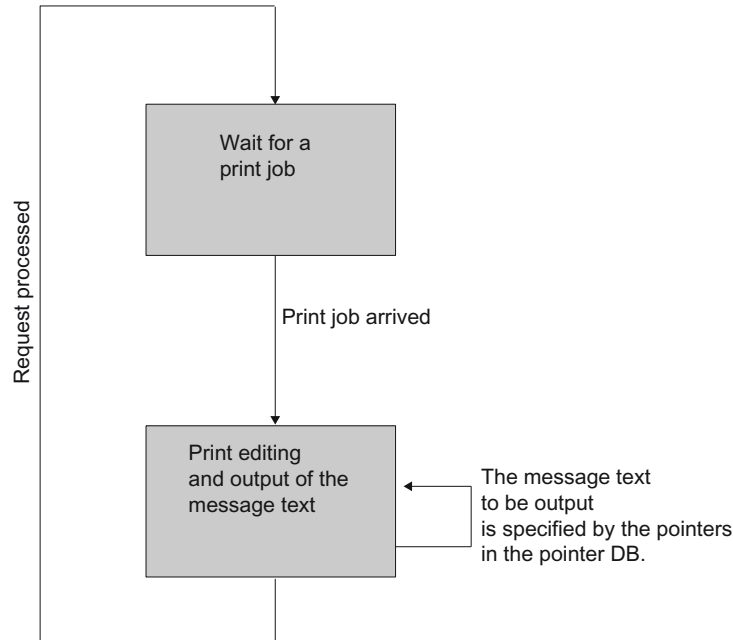


Figure 2-18 Flow chart of printout

Data flow control/Handshaking

Handshaking controls the data flow between two communication partners. Handshaking ensures that data is not lost in transmissions between devices that work at different speeds.

You can also send message texts with data flow control during printout. There are essentially two types of handshaking:

- Software handshaking (e.g., XON/XOFF)
- Hardware handshaking (e.g., RTS/CTS)

Data flow control is implemented as follows on the CP 340 during printout:

- As soon as the CP 340 is switched to the operating mode with flow control by means of parameterization, it sends the XON character or sets the RTS line to ON.
- CP 340 interrupts the output of characters when it receives the XOFF character, or when control signal CTS = OFF. If neither an XON character is received nor CTS is set to ON once a configured time has elapsed, printout is aborted and an appropriate error message (0708H) is generated at the STATUS output of the PRINT SFB.

Note

When RTS/CTS flow control is parameterized, you must fully wire the interface signals used in the plug connection (see Appendix RS 232C interface of the CP 340–RS 232C (Page 165)).

BUSY signal

The CP 340 evaluates the printer's "BUSY" control signal. The printer indicates to the CP 340 that it is ready to receive:

- CP 340-20mA-TTY: current on RxD line
- CP 340-RS 232C and CP 340-RS 422/485: CTS signal = "ON".

Note

When RTS/CTS flow control is parameterized, you must set the polarity of the BUSY signal on the printer as follows:

- BUSY signal: CTS = "OFF"

Please note that some printers use the DTR signal to display the BUSY signal. In such cases you must wire the cable to the CP 340 appropriately.

2.7 Parameterization Data

Introduction

By setting the basic parameter, you can define the diagnosis behavior of the CP 340. By selecting different protocols, you can adjust your CP 340 communications processor to suit the properties of the communication partner.

The sections that follow describe the basic parameter of the CP 340 and the parameterization data for the 3964(R) procedure, ASCII driver and printer driver.

2.7.1 Basic parameters of the CP 340

Introduction

You can define in this parameter whether the CP 340 is to generate a diagnostics interrupt when fatal errors occur.

Basic Parameters

Enter the basic parameter using the STEP 7 dialog "Properties - CP 340". Double-click on the CP 340 in the STEP 7 configuration table to open the dialog.

Chapter "Parameterizing the Communications Protocols (Page 94)" describes how you enter the basic parameters of the CP 340

The basic parameters are described in the table below.

Table 2- 1 Basic parameters

Parameters	Description	Range of values	Default Value
Interrupt generation	The CP 340 can generate a diagnostics interrupt if a fatal error is detected.	<ul style="list-style-type: none"> • Yes • No 	No

2.7.2 Parameterization Data of the 3964(R) Procedure

Introduction

Using the parameter assignment data of the 3964(R) procedure, you can adjust the CP 340 to suit the properties of its communication partner.

Parameter assignment data of the 3964(R) procedure

With the **CP 340: Point-to-Point Communication, Parameter Assignment** user interface, you can specify the parameters for the physical layer (layer 1) and for the data connection layer (layer 2) of the 3964(R) procedure. You will find a detailed description of the parameters below.

The section "Parameterizing the Communications Protocols (Page 94)" describes how to enter the parameter assignment data using the **CP 340: Point-to-Point Communication, Parameter Assignment** interface.

X27 (RS 422/485) interface

Please note the following with reference to the X27 (RS 422/485) interface:

Note

On the CP 340-RS 422/485 module variant, the 3694(R) procedure can only be used for RS 422.

Protocol

The table below describes the protocol.

Table 2- 2 3964(R) protocol

Parameter	Description	Default value
3964 with default values and no block check	<ul style="list-style-type: none"> Default values are assigned to the protocol parameters. If the CP 340 recognizes the string DLE ETX, it stops receiving and sends a DLE to the communication partner if the block was received undamaged, or an NAK if it was damaged. 	3964R with default values and block check: CDT = 220 ms ADT = 2000 ms Connection attempts = 6 Transmission attempts = 6
3964R with default values and block check	<ul style="list-style-type: none"> Default values are assigned to the protocol parameters. If the CP 340 recognizes the string DLE ETX BCC, it stops receiving. If the BCC is correct and no other receive errors have occurred, the CP 340 sends the code DLE to the communication partner. If the BCC is correct and no other receive errors have occurred, the CP 340 sends the DLE code to the communication partner (the NAK code is sent if an error occurs). 	
3964 assignable without block check	<ul style="list-style-type: none"> The protocol parameters are freely programmable. If the CP 340 recognizes the string DLE ETX, it stops receiving and sends a DLE to the communication partner if the block was received undamaged, or an NAK if it was damaged. 	
3964R assignable with block check	<ul style="list-style-type: none"> The protocol parameters are freely programmable. If the CP 340 recognizes the string DLE ETX BCC, it stops receiving. If the BCC is correct and no other receive errors have occurred, the CP 340 sends the code DLE to the communication partner. If the BCC is correct and no other receive errors have occurred, the CP 340 sends the DLE code to the communication partner (the NAK code is sent if an error occurs). 	

Protocol parameters

You can only set the protocol parameters if you have not set the default values in the protocol.

Table 2- 3 Protocol parameters (3964(R) procedure)

Parameter	Description	Range of values	Default value
Character delay time	The character delay time defines the maximum permissible time which may elapse between two received characters in a message frame.	10 ms to 65530 ms in 10 ms increments	20 ms
Acknowledgment delay time	The acknowledgment delay time defines the maximum permissible time which may elapse before the partner's acknowledgment arrives during connection establishment (time between STX and partner's DLE acknowledgment) or termination (time between DLE ETX and partner's DLE acknowledgment).	10 ms to 65530 ms in 10 ms increments	2000 ms (550 ms for 3964 without block check)
Connection attempts	This parameter defines the maximum number of attempts the CP 340 is allowed in order to establish a connection.	1 to 255	6
Transmission attempts	The parameter defines the maximum number of attempts to transfer a message frame (including the first one) in the event of errors.	1 to 255	6

Baud rate/Character frame

The table below describes the baud rate/character frame.

Table 2- 4 Baud rate/Character frame (3964(R) procedure)

Parameter	Description	Range of values	Default value
Baud rate	Data transmission rate in bps	<ul style="list-style-type: none"> • 2400 • 4800 • 9600 • 19200 	<ul style="list-style-type: none"> • 9600
Start bit	During transmission, a start bit is prefixed to each character to be sent.	<ul style="list-style-type: none"> • 1 (fixed value) 	<ul style="list-style-type: none"> • 1
Data bits	Number of bits onto which a character is mapped.	<ul style="list-style-type: none"> • 7 • 8 	<ul style="list-style-type: none"> • 8
Stop bits	During transmission, stop bits are appended to every character to be sent, indicating the end of the character.	<ul style="list-style-type: none"> • 1 • 2 	<ul style="list-style-type: none"> • 1

Parameter	Description	Range of values	Default value
Parity	A sequence of information bits can be extended to include another bit, the parity bit. The addition of its value ("0" or "1") brings the value of all the bits up to a defined status. This improves data integrity. A parity of "none" means that no parity bit is sent. "Any" parity indicates that the CP has set the send parity to a value of "0". The parity bit is not checked when data is received.	<ul style="list-style-type: none"> • None • Odd • Even • Any 	<ul style="list-style-type: none"> • Even
Priority	A partner has high priority if its send request takes precedence over the other partner's send request. A partner has low priority if its send request has to wait until the other partner's send request has been dealt with. With the 3964(R) procedure, you must configure both communication partners with different priorities, i.e., one partner is assigned high priority, the other low.	<ul style="list-style-type: none"> • Low • High 	<ul style="list-style-type: none"> • High
Activate BREAK monitoring	<p>You can choose whether monitoring for an interrupted receive line should be activated or deactivated.</p> <p>If BREAK monitoring is deactivated, in the event of a BREAK</p> <ul style="list-style-type: none"> • No entry will be made in the diagnostic buffer, nor will the RECV FB be activated with set ERROR bit and corresponding STATUS entry • Activated send jobs will be sent without an error message being generated for the user 	<ul style="list-style-type: none"> • Yes • No 	<p>Depending on the HW variant used and the operating mode selected:</p> <ul style="list-style-type: none"> • RS 232: Yes • TTY: Yes • RS 422 with R(A)5V/R(B)0V: Yes (cannot be deactivated) • RS 422 with R(A)0V/R(B)5V: No (cannot be activated)

Receive buffer on CP

You will find a description of the parameters for the X27 (RS 422) interface in the table below.

Table 2- 5 X27 (RS 422) interface (3964(R) procedure)

Parameter	Description	Range of values	Default value
Delete CP receive buffer on startup	You can specify whether the CP receive buffer should be deleted on startup or an existing (old) message frame should be sent to the CPU.	<ul style="list-style-type: none"> • Yes • No 	<ul style="list-style-type: none"> • Yes
Receive line initial state	<p>R(A)5V/R(B)0V This initial state supports BREAK detection; it cannot be deactivated.</p> <p>R(A)0V/R(B)5V This initial state does not support break detection.</p>	<ul style="list-style-type: none"> • R(A) 5V/R(B) 0V • R(A) 0V / R(B) 5V 	<ul style="list-style-type: none"> • R(A) 5V/R(B) 0V

2.7.3 Parameterization data of the ASCII driver

Introduction

Using the parameter assignment data of the ASCII driver, you can adjust the communication processor to suit the properties of its communication partner.

Parameter assignment data of the ASCII driver

With the **CP 340: Point-to-Point Communication, Parameter Assignment** interface, specify the parameters for the physical layer (layer 1) of the ASCII driver. You will find a detailed description of the parameters below.

The section "Parameterizing the Communications Protocols (Page 94)" describes how to enter the parameter assignment data using the **CP 340: Point-to-Point Communication, Parameter Assignment** interface.

X27 (RS 422/485) interface

Please note the following with reference to the X27 (RS 422/485) interface:

Note

With the CP 340-RS 422/485 module variant, the ASCII driver can be used in four-wire mode (RS 422) and two-wire mode (RS 485).

You must specify the type of interface required (RS 422 or RS 485) during parameter assignment.

Protocol parameters

The table below describes the protocol parameters.

Table 2- 6 Protocol parameters (ASCII driver)

Parameter	Description	Range of values	Default value
Indicator for end of received message frame	Defines which criterion signals the end of each message frame.	<ul style="list-style-type: none"> After character delay time expires On receipt of end-of-text character(s) On receipt of a fixed number of characters 	After character delay time expires
Character delay time	The character delay time defines the maximum permissible time interval between 2 characters received consecutively. ⁽¹⁾	4 ms to 65,535 ms	4 ms
End-of-text character 1 ⁽²⁾	First end code	<ul style="list-style-type: none"> At 7 data bits: 0 to 7FH (Hex)⁽³⁾ 8 data bits: 0 to FFH (hex)⁽³⁾ 	3
End-of-text character 2 ⁽²⁾	Second end code, if specified	<ul style="list-style-type: none"> At 7 data bits: 0 to 7FH (Hex)⁽³⁾ 8 data bits: 0 to FFH (hex)⁽³⁾ 	0
Message frame length when received ⁽⁴⁾	When the end criterion is "Fixed message frame length", the number of bytes making up a message frame is defined.	1 to 1024 (bytes)	240
<p>⁽¹⁾ The minimum character delay time is the time required to transfer 4 characters.</p> <p>⁽²⁾ Can only be set if the end criterion is an end-of-text character.</p> <p>⁽³⁾ Depending on whether you set 7 or 8 data bits for the character frame.</p> <p>⁽⁴⁾ Can only be set if the end criterion is fixed message frame length.</p>			

Baud rate/Character frame

The table below contains descriptions of and specifies ranges of values for the relevant parameters.

Table 2- 7 Baud rate/Character frame (ASCII driver)

Parameter	Description	Range of values	Default value								
Baud rate	Data transmission rate in bps. Please note: The ASCII driver can be operated in full-duplex mode.	<ul style="list-style-type: none"> • 2400 • 4800 • 9600 	9600								
Start bit	During transmission, a start bit is prefixed to each character to be sent.	<ul style="list-style-type: none"> • 1 (fixed value) 									
Data bits	Number of bits onto which a character is mapped.	<ul style="list-style-type: none"> • 7 • 8 	8								
Stop bits	During transmission, stop bits are appended to every character to be sent, indicating the end of the character.	<ul style="list-style-type: none"> • 1 • 2 	1								
Parity	A sequence of information bits can be extended to include another bit, the parity bit. The addition of its value ("0" or "1") brings the value of all the bits up to a defined status. This improves data integrity. A parity of "none" means that no parity bit is sent. "Any" parity indicates that the CP 340 has set the send parity to a value of "0". Parity is not checked when data is received.	<ul style="list-style-type: none"> • None • Odd • Even • Any 	Even								
Activate BREAK monitoring	You can choose whether monitoring for an interrupted receive line should be activated or deactivated. If BREAK monitoring is deactivated, in the event of a BREAK: <ul style="list-style-type: none"> • No entry will be made in the diagnostic buffer, nor will the RECV FB be activated with set ERROR bit and corresponding STATUS entry • Activated send jobs will be sent without an error message being generated for the user 	<ul style="list-style-type: none"> • Yes • No 	Depending on the HW variant used and the operating mode selected: <table border="1"> <tr> <td>RS 232:</td> <td>Yes</td> </tr> <tr> <td>TTY</td> <td>Yes</td> </tr> <tr> <td>RS 422 with R(A)5V/R(B)0V:</td> <td>Yes (cannot be deactivated)</td> </tr> <tr> <td>RS 422/RS 485 with R(A)0V/R(B)5V:</td> <td>No (cannot be activated)</td> </tr> </table> With the RS 422 HW variant, this parameter is controlled implicitly via the initial state for the receive lines selected in the "Interface" folder.	RS 232:	Yes	TTY	Yes	RS 422 with R(A)5V/R(B)0V:	Yes (cannot be deactivated)	RS 422/RS 485 with R(A)0V/R(B)5V:	No (cannot be activated)
RS 232:	Yes										
TTY	Yes										
RS 422 with R(A)5V/R(B)0V:	Yes (cannot be deactivated)										
RS 422/RS 485 with R(A)0V/R(B)5V:	No (cannot be activated)										

Data flow control

The table below contains a description of the parameters for data flow control.

Data flow control is not possible with the RS 485 interface. Flow control with "RTS/CTS" and "automatic control of V24 signals" is only supported on RS 232C interfaces.

Table 2- 8 Data flow control (ASCII driver)

Parameter	Description	Range of values	Default value
Data flow control	Defines which data flow control procedure is used.	<ul style="list-style-type: none"> None XON/XOFF RTS/CTS Automat. control of V24 signals 	None
XON character ⁽¹⁾	Code for XON character	<ul style="list-style-type: none"> 7 data bits: 0 to 7FH (hex) ⁽²⁾ 8 data bits: 0 to FFH (hex) ⁽²⁾ 	(DC3)
XOFF character ⁽¹⁾	Code for XOFF character	<ul style="list-style-type: none"> 7 data bits: 0 to 7FH (hex) ⁽²⁾ 8 data bits: 0 to FFH (hex) ⁽²⁾ 	(DC3)
Waiting for XON after XOFF (wait time for CTS = ON) ⁽³⁾	Period of time for which the CP 340 should wait for the XON code or for CTS="ON" of the communication partner when sending.	20 ms to 65530 ms in 10 ms increments	20 ms
Time to RTS off (Only with automatic control of RS 232C accompanying signals)	Time to wait following transfer before the CP 340 sets the RTS line to OFF.	0 ms to 65530 ms in 10 ms increments	0 ms
Data output waiting time (Only with automatic control of RS 232C accompanying signals)	The time the CP 340 waits after setting the RTS line to ON for CTS = "ON" from the communication partner before it initiates the transfer.	0 ms to 65530 ms in 10 ms increments	0 ms
⁽¹⁾ Only for data flow control with XON/XOFF. ⁽²⁾ Depending on whether you set 7 or 8 data bits for the character frame. ⁽³⁾ Only for data flow control with XON/XOFF or RTS/CTS.			

For additional information, see RS 232C accompanying signals (Page 46).

Receive buffer on CP

The table below describes the parameters for the CP receive buffer.

Table 2- 9 Receive buffer on CP (ASCII driver)

Parameter	Description	Range of values	Default value
Delete CP receive buffer on startup (Where the buffering of multiple message frames is concerned, CP 340 works in accordance with the FIFO principle when transferring message frames to the CPU (ring buffer).)	You can specify whether the CP receive buffer should be deleted on startup or an existing (old) message frame should be sent to the CPU.	<ul style="list-style-type: none"> • Yes • No 	Yes
Buffered receive message frames (Where the buffering of multiple message frames is concerned, CP 340 works in accordance with the FIFO principle when transferring message frames to the CPU (ring buffer).)	You can specify the number of received message frames to be buffered in the CP receive buffer. If you specify "1" here and deactivate the following parameter "prevent overwrite" and cyclically read the received data from the user program, a current message frame will always be sent to the CPU.	1 to 250	250
Prevent overwriting	You can deactivate this parameter if the "buffered receive message frames" parameter is set to "1". This authorizes the overwriting of the buffered received message frame.	<ul style="list-style-type: none"> • Yes • No (only if "Buffered received message frames" = "1") 	Yes

For more information, refer to the Chapter "Receive Buffer on CP 340 (Page 55)".

X27 (RS 422/485) interface

You will find a description of the parameters for the X27 (RS 422/485) interface in the table below.

Table 2- 10 X27 (RS 422/485) interface (ASCII driver)

Parameter	Description	Range of values	Default value
Operating mode	Specifies whether the X27 (RS 422/485) interface is to be run in full-duplex mode (RS 422) or half-duplex mode (RS 485) (see Chapter "Serial Transmission of a Character (Page 23)").	<ul style="list-style-type: none"> Full-duplex (RS 422) four-wire mode Half-duplex (RS 485) two-wire mode 	Full-duplex (RS 422) four-wire mode
Receive line initial state	This initial state corresponds to idle state (no senders active) in "half-duplex (RS 485) two-wire mode".	<ul style="list-style-type: none"> R(A) 5V/R(B) 0V R(A) 0V / R(B) 5V 	R(A) 5V/R(B) 0V

Receive line initial state

The figure illustrates the wiring of the receiver at the X27 (RS 422/485) interface:

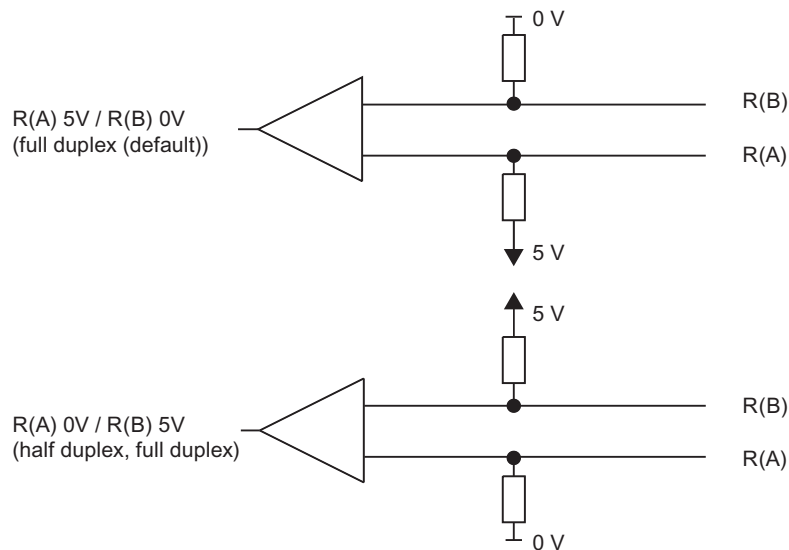


Figure 2-19 Wiring of the receiver at the X27 (RS 422/485) interface

2.7.4 Parameterization data of the printer driver

Introduction

You can use the parameter assignment data of the printer driver to generate the transmission-specific parameters and the message texts for printout.

Parameter assignment data of the printer driver

With the **CP 340: Point-to-Point Communication, Parameter Assignment** user interface, you can specify:

- The parameters for the physical layer (layer 1) of the printer driver
- The message texts for printout
- The page layout, character set and control characters for the message texts

You will find a detailed description of the parameters below.

Baud rate/Character frame

The table below contains descriptions of and specifies ranges of values for the relevant parameters.

Table 2- 11 Baud rate/Character frame (printer driver)

Parameter	Description	Range of values	Default value
Baud rate	Data transmission rate in bps	<ul style="list-style-type: none"> • 2400 • 4800 • 9600 	9600
Start bit	During transmission, a start bit is prefixed to each character to be sent.	1 (fixed value)	1
Data bits	Number of bits onto which a character is mapped.	<ul style="list-style-type: none"> • 7 • 8 	8
Stop bits	During transmission, stop bits are appended to every character to be sent, indicating the end of the character.	<ul style="list-style-type: none"> • 1 • 2 	1
Parity	<p>A sequence of information bits can be extended to include another bit, the parity bit. The addition of its value ("0" or "1") brings the value of all the bits up to a defined status. This improves data integrity.</p> <p>A parity of "none" means that no parity bit is sent. "Any" parity indicates that the CP 340 has set the send parity to a value of "0".</p>	<ul style="list-style-type: none"> • None • Odd • Even • Any 	Even

Parameter	Description	Range of values	Default value	
Activate BREAK monitoring	<p>You can choose whether monitoring for an interrupted receive line should be activated or deactivated.</p> <p>If BREAK monitoring is deactivated, in the event of a BREAK</p> <ol style="list-style-type: none"> No entry will be made in the diagnostic buffer, nor will the RECV FB be activated with set ERROR bit and corresponding STATUS entry Activated send jobs will be sent without an error message being generated for the user 	<ul style="list-style-type: none"> Yes No 	Depending on the HW variant used and the operating mode selected:	
			RS 232	Yes
			TTY	Yes
			RS 422 with R(A)5V/R(B)0V:	Yes (cannot be deactivated)
			RS 422 with R(A)0V/R(B)5V:	No (cannot be activated)
			With the RS 422 HW variant, this parameter is controlled implicitly via the initial state for the receive lines selected in the "Interface" folder.	

Data flow control

The table below contains a description of the parameters for data flow control.

Data flow control is not possible with the RS 485 interface. RTS/CTS data flow control is only supported on the RS 232C interface.

Table 2- 12 Data flow control (printer driver)

Parameter	Description	Range of values	Default value
Data flow control	Defines which data flow control procedure is used.	<ul style="list-style-type: none"> None XON/XOFF RTS/CTS 	None
XON character (Only for data flow control with XON/XOFF)	Code for XON character	<ul style="list-style-type: none"> At 7 data bits: 0 to 7FH (hex) 8 data bits: 0 to FFH (hex) <p>(Depending on whether you set 7 or 8 data bits for the character frame)</p>	11 (DC1)
XOFF character (Only for data flow control with XON/XOFF)	Code for XOFF character	<ul style="list-style-type: none"> At 7 data bits: 0 to 7FH (hex) 8 data bits: 0 to FFH (hex) <p>(Depending on whether you set 7 or 8 data bits for the character frame)</p>	13 (DC3)
Wait for XON after XOFF (wait time for CTS = ON) (Only for data flow control with XON/XOFF or RTS/CTS)	Period of time for which the CP 340 should wait for the XON code or for CTS="ON" of the communication partner when sending.	20 ms to 65530 ms in 10 ms increments	2,000 ms

X27 (RS 422/485) interface

You will find a description of the parameters for the X27 (RS 422/485) interface in the table below.

Table 2- 13 X27 (RS 422/485) interface (ASCII driver)

Parameter	Description	Range of values	Default value
Receive line initial state	R(A)5V/R(B)0V: This initial state supports BREAK detection; it cannot be deactivated. R(A)0V/R(B)5V: This initial state does not support break detection.	<ul style="list-style-type: none"> R(A) 5V / R(B) 0V R(A) 0V / R(B) 5V 	R(A) 5V/R(B) 0V

Page layout

The table below contains a description of the parameters for the page layout.

Table 2- 14 Page layout (printer driver)

Parameter	Description	Range of values	Default value
Left margin (number of characters)	Number of spaces to precede each line in the body of the text, header or footer. It is up to you to ensure that a line is not too long for the printer.	0 to 255	3
Lines per page (with header and footer)	Number of lines to be printed on each page. The number of lines printed is calculated on the basis of the separators output. In other words, all headers and footers must be counted.	<ul style="list-style-type: none"> 1 to 255 0 (continuous printing) 	50

Parameter	Description	Range of values	Default value
Separators/ Line end	Characters which end each line in the body of the text, header or footer. The body of the text, header and footer must contain the defined separator.	<ul style="list-style-type: none"> • CR (carriage return) • LF (line feed) • CR LF (carriage return and line feed) • LF CR (line feed and carriage return) 	CR LF (carriage return and line feed)
Headers/Footers	Text for up to two header and footer lines; a header or footer line is output when the entry field in the parameter assignment software contains a text or at least a blank. If a text is specified only for the 2nd header or footer line, the 1st header or footer line is automatically padded with a blank and printed. A blank line is output before and after headers/footers.	<ul style="list-style-type: none"> • ASCII characters (text) • %P output conversion statement for page numbers (max. 60 characters)	

Character set

The table below contains a description of the parameters for the character set.

Table 2- 15 Character set (printer driver)

Parameter	Description	Range of values	Default value
Printer character set	Set "IBM" to convert the set Windows ANSI character set into the printer character set. If you set "User-Defined", you can adapt the character set to include special characters for a particular language.	<ul style="list-style-type: none"> • IBM • User-Defined 	IBM

Control characters

The table below contains a description of the parameters for control characters.

Table 2- 16 Control characters (printer driver)

Parameter	Description	Range of values	Default value
Printer emulation	Sets the printer emulation (printer commands for the following control characters: bold, condensed, expanded, italics, and underlining). Set "User-Defined" to modify the printer emulation and include additional control characters. The characters A to Z and a to z are permissible as control characters.	<ul style="list-style-type: none"> • HP DeskJet • HP LaserJet • IBM Proprinter • User-Defined 	HP DeskJet

Features

Conditions for configuring message texts:

- Size of the text SDB: 8 KB
- Max. length of a message text without variables: 150 characters
- Max. length of a message text with variables displayed: 250 characters
- Max. number of variables per message text: 4 (3 + message text number)

Message texts

The table below contains a description of the parameters for configuring message texts (using the **CP 340: Point-to-Point Communication, Parameter Assignment** user interface).

Table 2- 17 Message texts (printer driver)

Parameter	Description	Range of values	Default value
Name of text SDB/text file	The message texts for a CP 340 (serial interface) must be saved to a text SDB for parameter assignment. You can also save configured message texts to an external text file.	ASCII characters (max. 8 characters)	-
Version number	Version number of the text SDB/text file	1 to 255.9	-
Message texts	All the message texts stored in the text block are displayed here together with their message text numbers; you can change a selected message text line by means of the "Edit Message" parameter.	ASCII characters (unchangeable)	-
Edit message	You can transfer message texts edited here to the "Message Texts" list by clicking the "Enter" button.	Message number: 0 to 99 Message text (max. 150 characters) <ul style="list-style-type: none"> • ASCII characters (text) • Conversion statements (for variables) • Control characters (all those defined in the control character table) 	-
Font style	You can easily assign control characters to text selected in the "Edit Message" entry box by using buttons B to U.	<ul style="list-style-type: none"> • B (bold) • C (condensed) • E (expanded) • I (italic) • U (underlined) 	-

2.7.5 Conversion and Control Statements for Printer Output

Introduction

The output of a message text with variables and control instructions (e.g., for bold, condensed, expanded, or italic type and underlining) is defined by means of a format string.

In the format string you can also define statements to execute other useful functions for printout (e.g., to set a page number or start a new page).

All the permissible characters and display types for the format string are described below. You can also configure all the described control instructions (except \F "start new page" and \x "print without line break") and conversion statements for variables (except for %P "set page number") in the message texts using the **CP 340: Point-to-Point Communication, Parameter Assignment** user interface.

Format string

The figure illustrates the structure of the format string schematically.

A format string can contain normal text and/or conversion statements for variables and/or control instructions. Normal text, conversion statements and control instructions can occur in any sequence in the format string.

There must be one (and only one) conversion statement for each variable in the format string or message text. The conversion statements are applied to the variables in the sequence in which they occur.

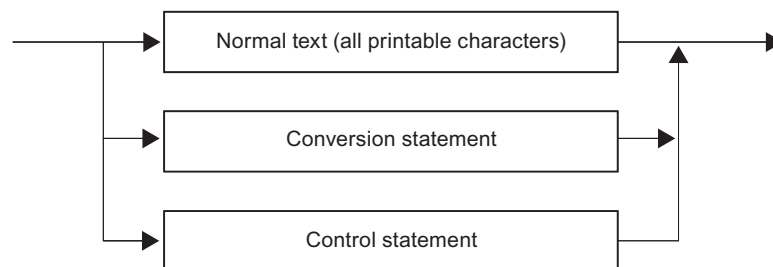


Figure 2-20 Schematic structure of the format string

Permissible characters for text

The following can be specified as text:

- All printable characters
- All characters preceded by \$ on the language interface (ICE 61131–3). The language compilers convert these characters into the corresponding hex code. Exception: The character \$N is not permitted.

Example: Carriage return ODH = \$R in the format string

Conversion statement

The figure illustrates the structure of a conversion statement schematically.



Figure 2-21 Schematic structure of a conversion statement

Flag

- Without= Right-justified output
- = Left-justified output

Width

- Without = Output in the standard representation
- t
- N = Exactly n characters are output (up to 255 characters are possible); blanks may be added before (right-justified output) or after (left-justified output).

Precision

Precision is only relevant to display types A, D, F, and R. It is ignored otherwise.

- Without= Output in the standard representation (see table below)
- .0 = No output of decimal points and decimals in real (R) and floating point (F) format.
- .n = Output of decimal point and n (1 to 99) significant decimal positions in real (R) and floating point (F) display types. In the case of dates (= display types A and D), precision relates to the number of digits used for the year. Only 2 and 4 are permitted for dates.

Please note that the precision is always preceded by a period. The period serves to identify it and separate it from the width.

Display type

The table below describes the possible display types for the values of the variables. Display types N and P are exceptions and are explained below the table.

The display type supports both uppercase and lowercase letters.

Table 2- 18 Display types in the conversion statement

Display type	Associated data type	Default display	Width of the default display	Description
A	DATE, WORD	10.06.1992 (German)	10	German date format
C	CHAR, BYTE WORD DWORD ARRAY OF CHAR ARRAY OF BYTE	A, B AB ABCD ABCDE ... ABCDE ...	1 2 4 – –	Alphanumeric characters
D	DATE, WORD	1996-06-10 (American)	10	Date format according to ICE 61131-3
F	REAL, DWORD	0.123456	8	Floating point, without exponent
H	All data types incl. ARRAY OF BYTE	In accordance with the data type	In accordance with the data type	Hexadecimal format
I	INT, WORD DINT, DWORD	-32767 -2147483647	Max. 6 Max. 11	Integer range
N ⁽¹⁾	WORD (text number)	Message text output	–	Integer 0 to 999
P ⁽²⁾	INT, WORD	Set page number	5	–
R	REAL, DWORD	0.12E-04	8	Floating point, with exponent
S	STRING	Text output	–	Text strings
T ⁽¹⁾	TIME, DWORD	2d_3h_10m_5s_250ms	Max. 22	Duration (negative duration is identified by a leading (-) minus sign)
U	BYTE WORD DWORD	255 65535 4294967295	Max. 3 Max. 5 Max. 10	Integer range, unsigned
X	BOOL BYTE WORD DWORD	1 11101100 11001... (16) 11001... (32)	1 8 16 32	Binary format

2.7 Parameterization Data

Display type	Associated data type	Default display	Width of the default display	Description
Y ⁽³⁾	DATE_AND_TIME_OF_DAY, DT	10.06.1992 -15:42:59.723	25	Date and time of day
Z	TIME_OF_DAY DWORD	15:42:59.723	12	Time of day
<p>⁽¹⁾ If there is no message text number or system time in these display types, 6 * characters appear in the printout instead (the CP 340 does not keep the time). %N is the only conversion statement which cannot be used in message texts.</p>				
<p>⁽²⁾ The P display type is only permitted in the format string. P is not permitted in configurable message texts.</p>				
<p>⁽³⁾ The current time and date must be read first by means of the SFC 1 "READ_CLOCK" system function and stored in the user memory (bit memory, data).</p>				

Output by means of message text number (%N)

Use the N display type to start printing message texts stored on the CP 340. The conversion statement variable contains the number of the message text.

Example: The pressure in the chamber "is falling"

```

Format string    =    %N %S
Variable 1      =    17 (message text no. 17: The pressure in the chamber ...)
Variable 2      =    Reference to string (string variable: ... is falling)
    
```

Note

Within a message text, all conversion statements except for %N and all control instructions except for "\F" and "\x" are allowed! An explicit width setting of %N limits the printed length of the referenced message text to the width indicated.

Setting the page number (%P)

Use the P display type to change the page number in the printout.

The CP 340 always begins a printout at page 1. This conversion statement allows you to set the page number to a specific value. The conversion statement variable contains the number to be set.

Example: (Setting the page number to 10)

```
Format string   =   %P
Variable 1     =   10 (page number: 10)
```

Note

In the case of the P display type, there must be no further text, conversion or control instructions in the format string.

The P display type is not permitted in configured message texts.

Notes about conversion statements

Please note the following in relation to conversion statements:

- Whenever a maximum length is specified for the default display, the actual output can also be shorter. Example: The output of the integer 10 consists of only 2 characters.
- The length of the data to be printed depends on the length of the variables. For example, in the case of the I display type a maximum of 6 characters can be output for the INT data type and a maximum of 11 characters for the DINT data type.
- A width of "0" is not permissible in conversion statements. This is printed out as "*****" with the valid conversion statement.
- If the specified width is too small, in the case of text-based output (display types A, C, D, S, T, Y, and Z), only the number of characters corresponding to the specified width are output (the output is truncated). In all other cases, * characters are output corresponding to the width.
- Undefined or invalid conversion statements are not executed. This is printed out as "*****" (e.g. display type missing: %2.2).

The rest of the conversion statement (i.e., everything after the character identified as incorrect) is output. This allows the exact cause of the error to be determined.

- Conversion statements without associated variables will be ignored. Variables for which there is no conversion statement are not output.
- Conversion statements that are not supported in a header or footer are not executed. Instead, they are forwarded to the printer transparently.

- You must use control instructions to specify formatting (line feed, tabs, etc.) in a message text or in the printout of a long conversion statement.
- If both the format string and the message text contain conversion statements, the format string is expanded first, followed by the message text.

Example: Voltage 3 V – Current 2 A

Message text 1 = Voltage %l V

Format string = '%N – Current: %l A'

Variable 1 = 1

Variable 2 = 2

Variable 3 = 3

Examples of invalid conversion statements

Below are several examples of invalid conversion statements.

Example 1: ***.2R**

Format string = %303.2R

Variable 1 = 1.2345E6

Error: Invalid width in the R display type. The maximum permissible value for all display types is 255.

Example 2: ****

Format string = %4.1l

Variable 1 = 12,345 DEC

Error: The selected width was too small for the variable value to be output. The precision is not relevant to display type l.

Example 3: 96–10–3

Format string = %7.2D

Variable 1 = D#1996–10–31

Error: The format string is formally correct, but the selected width was too small to print the date in full.

Example 4: *****

Format string = %.3A

Variable 1 = D#1996–10–31

Error: The default width of display type A was selected but with invalid precision. The possible values here are 2 and 4.

Example 5: *****

Format string = %3.3

Variable 1 = 12,345 HEX

Error: A display type was not specified.

Examples of correct conversion statements

Below are some examples of correct conversion statements.

Example 1:31.10.1996

Format string = %15.4A
Variable 1 = D#1996-10-31

A width of 15 with a precision of 4 (width of the year) and right-justified formatting were selected.

Example 2: 12345.

Format string = %-6l
Variable 1 = 12,345 DEC

The selected width was one character greater than the variable value to be output; left-justified formatting.

Example 3: 12d_0h_0m_23s_348ms

Format string = %T
Variable 1 = T#12D23S348MS

The IEC time is in the standard format; unspecified time units are inserted with zeros.

Example 4: 1.234560E+02

Format string = %12.6R
Variable 1 = 123.456

A width of 12 is available to display the whole variable, with the precision (number of decimal positions) taking up 6 characters.

Example 5: TEST..

Format string = %-6C
Variable 1 = TEST

Left-justified formatting of the text variables

Control instructions

Control instructions are used to achieve specific results in the printout (e.g., underlining).

In addition to the standard control instructions (for bold, condensed, expanded, or italic type and underlining), you can also use other control characters if you enter them in the control character table on the CP 340: Point-to-Point Communication, Parameter Assignment user interface before parameterizing the CP 340.

The figure illustrates the structure of the control instruction schematically.

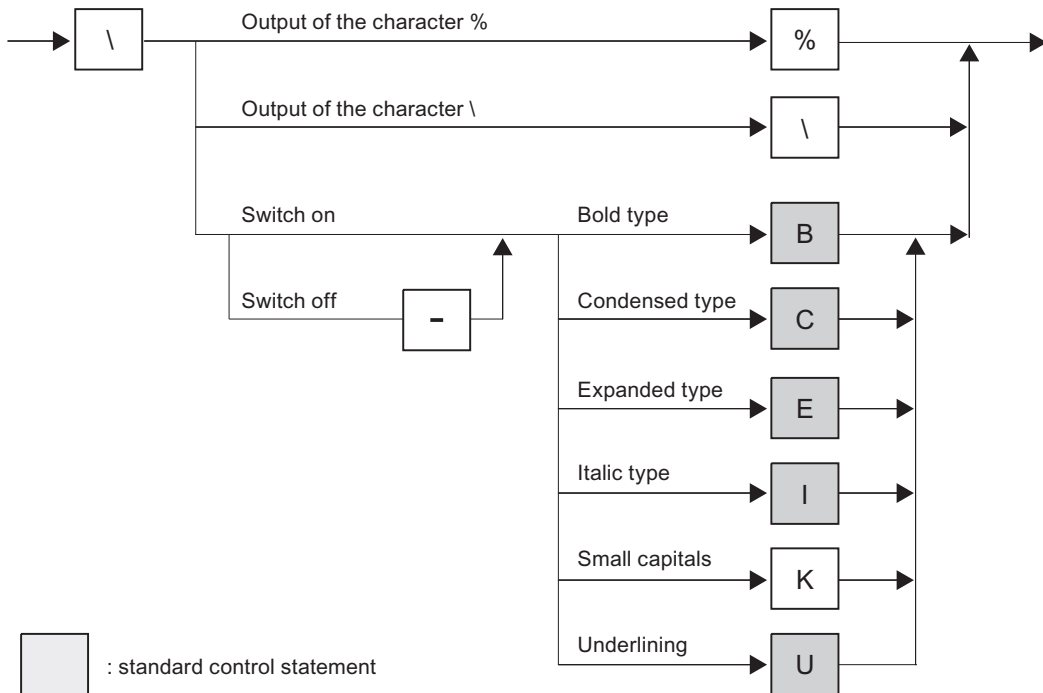


Figure 2-22 Schematic structure of control instructions

Examples

Below are some examples with control instructions.

Example 1:

To output a text with "bold" and "underlining" on the printer, make the following entries:

\BBold type\B and \UUnderlining\U are ways of highlighting a text.

Example 2:

To output the format string with the conversion statement "Message text no. %i of %8.2A" transparently on the printer, you have to enter the following:

'Message text no. \%i of \%8.2A'

Starting a new page (\F)

Taking into account the assigned page layout, i.e. the configured headers and footers and the number of lines per page, the \F control instruction can be used to begin a new page. This differs from a pure form feed on the printer.

Example: (Beginning a new page)

Format string = \F

Note

In the case of the \F control instruction, there must be no further text, conversion or control instructions in the format string. The variables remain unassigned.

Printing without a line break (\x)

The CP 340 normally appends the configured end-of-line character (CR, LF, CR LF, LF CR) when it sends a message text. The \x control instruction cancels the line break after a message text. This means that you can print several message texts in a single line in order, for example, to display more variables in a line. The \x control instruction is appended at the end of the format string.

Example: The level "200" I was reached at "17:30" hours. ...

Format string = The level %i I was reached at %Z hours.\x

Variable 1 = time

Variable 2 = level

Note

Note that when you use the \x control instruction, the new line always begins without a left margin.

Notes about control instructions

Please note the following in relation to control instructions:

- If the deactivation of an effect is requested without it previously having been activated, or if the output device is incapable of producing the effect, the control instruction is ignored.
- The % and \ characters required to define the format string can be printed by means of the control instruction.
- Undefined or invalid control instructions are not executed.

Starting up the CP 340

Step sequence

Before commissioning the CP 340 you will need to perform the following operations in the order given.

1. Install the communication processor
2. Configure the communication processor
3. Assign the communication processor parameters
4. Back up parameterization data
5. Create a user program for the CP

Installing the communication processor

Installation of the CP comprises the integration of the CP into the rack of your automation system.

You can find a detailed description in Section "Mounting the CP 340 (Page 89)" of this manual.

Configuring the communication processor

The CP configuration includes its entry in the configuration table. Configure your CP using STEP 7 software.

You can find a detailed description in Section "Configuring the CP 340 (Page 96)" of this manual.

Assigning the communication processor parameters

Parameterizing the CP involves creating the specific parameters of the protocols and configuring message texts for printout. Configure the CP using the **Point-to-Point Communication, Parameter Assignment** user interface.

You can find a detailed description in Section "Parameterizing the Communications Protocols (Page 94)" of this manual.

Backing up parameterization data

A backup of CP parameterization data includes the storage of parameters, their download to the CPU and transfer to the CP. Back up your parameterization data using STEP 7 software.

You can find a detailed description in Section "Managing the Parameter Data (Page 97)" of the manual.

Creating a user program for the CP

CP programming includes the connection of the CP to the associated CPU using the STEP 7 user program. Program your CP using the language editors of the STEP 7 software.

A comprehensive programming example is available in the chapter "Programming Example for Standard Function Blocks (Page 147)". A detailed description of programming with STEP 7 is contained in the *Programming with STEP 7* manual.

Mounting the CP 340

4.1 CP 340 slots

Introduction

The following section describes the rules you must observe when positioning the CP 340 in the rack.

Positioning of the CP 340 in the Rack

The following rules apply when positioning the CP 340 in the rack:

- A maximum of 8 communications modules can be inserted to the right of the CPU.
- The number of pluggable communications modules is limited:
 - by the current consumption of the CP 340 from the S7-300 backplane bus (depending on CPU and IM) and
 - by the expandability of the CPU (for instance CPU 312 IFM in first tier) or of the ET 200M (IM 153) in a distributed configuration (single-tier mounting only).

Note

The CP 340 can be operated in expansion tiers only from the following CPU versions:

- CPU314: Product version 6
 - CPU614: Product version 6
 - CPU315: Product version 3
 - CPU315DP: Product version 3
-

4.2 Installing and removing the CP 340

Introduction

When mounting and dismounting the CP 340, you must observe certain rules.

Tool

For mounting and dismounting the CP 340 you require a 4.5 mm cylindrical screwdriver.

Note

Before you mount or dismount the CP 340, you must switch the CPU to STOP mode. The power supply module does not need to be in POWER OFF mode. You can plug in or unplug the cable to the integrated submodule on the CP 340 at any time. However, you must make sure that no data are being transmitted at the integrated interface when you do so, otherwise data may be lost.

4.2.1 Installation steps

How to install the CP 340 in a rack

To insert the CP 340 in a rack, proceed as follows:

1. Switch the CPU to STOP mode.
2. A bus connector is supplied with the CP 340. Plug this connector onto the backplane connector of the module to the left of the CP 340.
3. If more modules are to be mounted to the right of the CP 340, plug the expansion bus of the next module onto the right backplane connector of the CP 340.
4. Mount the CP 340 on the rail and tilt it downward.
5. Screw the CP 340 tight.

4.2.2 Removal steps

To remove the CP 340

To dismount the CP 340 from the rack, proceed as follows:

1. Switch the CPU to STOP mode.
2. Open the front panel doors.
3. Detach the sub D connector from the integrated interface.
4. Undo the fastening screw on the module.
5. Swing the module off the rail, then take it out of the PLC.

Configuring and Parameterizing the CP 340

5.1 Parameterization Options

Configuration options

You configure and parameterize the module variants of the CP 340 using STEP 7 or the **CP 340: Point-to-Point Communication, Parameter Assignment** user interface.

Table 5- 1 Configuration options for the CP 340

Product	Order number	Configurable using the parameter assignment user interface	Under STEP 7
CP 340-RS 232C	6ES7 340-1AH00-0AE0*	As of V1.0	As of V2.1
CP 340-RS 232C	6ES7 340-1AH01-0AE0**	As of V3.0	As of V3.0
CP 340-20mA-TTY	6ES7 340-1BH00-0AE0**		
CP 340-RS 422/485	6ES7 340-1CH00-0AE0**		
CP 340-RS 232C	6ES7 340-1AH02-0AE0***	as of version V5.1.5	As of V5.0
CP 340-20mA-TTY	6ES7 340-1BH02-0AE0***		
CP 340-RS 422/485	6ES7 340-1CH02-0AE0***		
* You can also use the parameter assignment user interface as of V3.0 to configure this module, although you will then only be able to parameterize the drivers integrated into the module firmware (not the printer drivers).			
** You can also use the parameter assignment user interface as of V1.0 to configure these modules, although you will then only be able to parameterize the drivers available on the parameter assignment user interface (not the printer drivers).			
*** The new functionalities (FW update and ID data (read)) are only supported as of STEP 7 V5.2.			

5.2 Parameterizing the Communications Protocols

Introduction

Once you have entered the CP 340 in the configuration table, you must supply its interface with parameters. In the case of the printer driver, you can also configure message texts for printer output. This process is known as "parameterization".

5.2.1 Parameterization of the CP 340

Prerequisite

The parameter assignment user interface **CP 340: Point-to-Point Communication, Parameter Assignment** is installed on the PG/PC under STEP 7.

Parameter assignment

The expression "parameter assignment" is used in the following to describe the setting of protocol-specific parameters and the configuration of message texts. This is done using the **CP 340: Point-to-Point Communication, Parameter Assignment** user interface.

Double-click the CP 340 in the STEP 7 configuration table or highlight the CP 340 and select menu command **Edit > Object Properties**. The "Properties – CP 340" dialog is displayed.

This is where you can set the basic parameters of the CP 340 (see Chapter "Basic parameters of the CP 340 (Page 61)"). Click "Parameters" to launch the **CP 340: Point-to-Point Communication, Parameter Assignment** parameterization interface.

5.2.2 Installing the engineering tool

Installation

The **CP 340: Point-to-Point Communication, Parameter Assignment** parameter assignment interface is located on a data carrier along with the function blocks and programming example.

To install the parameter assignment user interface:

1. Insert the supplied data carrier in the drive of your programming device / PC.
2. In **Microsoft Windows**, start the dialog for installing software by double-clicking the "Add and Remove Programs" icon in the "Control Panel".
3. Select the drive from the dialog window and run the Setup.exe file to start the installation procedure.
4. Follow the on-screen instructions provided by the setup program.

Further information?

The basic operation of the **Point-to-Point Communication, Parameter Assignment** user interface is the same for all communication processors and is self-explanatory. For this reason, the parameter assignment user interface is not described in detail here.

Also, the online help provides sufficient support for working with the parameter assignment user interface.

5.3 Configuring the CP 340

Introduction

Once you have mounted the CP 340 you must inform the programmable controller that it is there. This process is known as "configuration".

Prerequisite

Before you can enter the CP 340 in the configuration table of the STEP 7 software, you must have created a project and a terminal with STEP 7.

Configuration

In the following, "configuration" refers to the entry of the communications processor in the configuration table of the STEP 7 software. In the configuration table, enter the rack, the slot and the order number of the communications processor. STEP 7 then automatically assigns an address to the CP.

The CPU is now able to find the communications processor in its slot in the rack by way of its address.

5.4 Managing the Parameter Data

Introduction

The configuration and parameterization data of the communication processor is stored in the current project (on the hard disk of the programming device/PC).

Data management

When you quit the configuration table by selecting the menu command **Station > Save** or **Station > Save As**, the system automatically saves the configuration and parameterization data (including the module parameters) to the project/user file you have created.

Downloading the configuration and parameters

You can now download the configuration and parameterization data online from the programming device to the CPU (menu command **PLC > Download**). The CPU accepts the parameters immediately after the download.

The module parameters are automatically transmitted to the communication processor

- When they are downloaded onto the CPU and as soon as the communication processor can be reached via the S7-300 backplane bus

or

- When the CPU's operating mode changes from STOP to RUN (CPU startup).

Unchanged parameters have the default value.

Further information

The STEP 7 manual *Configuring Hardware and Communication Connections With STEP 7* describes in detail how to

- Save the configuration and the parameters
- Download the configuration and the parameters to the CPU
- Read, modify, copy, and print the configuration and the parameters.
- You will find more information on the parameters in the chapter titled "Parameterization data".

5.5 Identification data

Definition

Identification data represent information stored on the module and support you in:

- Troubleshooting a plant
- Verifying your plant configuration
- Locating hardware modifications in a plant

This ID data allows the unambiguous identification of modules in online mode. As of order no. 6ES7 340-1xH02-0AE0, this data is available on the CP 340.

To view the identification data, select **PLC > Module Information** , or **Read Data Record** (see below).

Reading the identification data

Users can access specific ID data by selecting **Read Data Record**.

The element of the ID data which is assigned to the corresponding index is found under the associated data record number.

All data records which contain ID data have a length of 64 bytes.

The table below shows the structure of those data records.

Table 5- 2 Data record structure

Content	Length (bytes)	Coding (hex)
Header information		
SZL ID	2	F1 11
Index	2	00 0x
Length of identification data	2	00 38
Number of blocks which contain ID data	2	00 01

Table 5- 3 Identification data

Identification data		
Index	2	00 0x
Identification data associated with the relevant index	54	

Identification data of the CP 340 module

Table 5- 4 Identification data of the CP 340 module

Identification data	Access	Default setting	Description
Index 1 (data record 231/read only)			
Manufacturer	Read (2 bytes)	00 2A hex (= 42 dec)	The name of the manufacturer is saved to this parameter (42 dec = Siemens AG).
Device name	Read (20 bytes)	6ES7 340-1xH02-0AE0	Order number of the module x = A(RS232), B(TTY), C(RS422/485)
Device serial number	Read (16 bytes)	The serial number of the module is saved to this parameter. This structure allows the unique identification of the module.	
Hardware revision	Read (2 bytes)	Provides information about the product version of the module.	
Software revision	Read (4 bytes)	Provides information about the firmware version of the module.	
Statistical revision no.	Read (2 bytes)	-	Not supported
Profile_ID	Read (2 bytes)	F6 00 hex	Internal parameter (to PROFIBUS DP)
Profile-specific type	Read (2 bytes)	00 04 hex (= 4 dec)	Internal parameter (communication module, to PROFIBUS DP)
I&M version	Read (2 bytes)	00 00 hex (= 0 dec)	Internal parameter (to PROFIBUS DP)
I&M supported	Read (2 bytes)	00 01 hex (= 1 dec)	Internal parameter (I&M0 and I&M1, to PROFIBUS DP)
Index 2 (data record 232/read and write)			
HID	Read/ write (max. 32 characters)	-	Plant designation of the module.
LD	Read/ write (max. 22 characters)	-	Location designation of the module.

5.6 Download of firmware updates

Introduction

You can enhance functionality and eliminate errors by downloading firmware updates to the CP 340 system memory.

Download the firmware update using HW Config.

Basic firmware

A CP 340 is supplied with basic firmware.

Prerequisites

Prerequisites for downloading firmware updates:

- The CP 340 must be available online on the PG/PC.
- The new firmware version files must be available on your PG/PC file system.

Downloading firmware

To update the firmware:

1. Open **HW Config**, then select the relevant CP 340 module.
2. Select the menu command **PLC > Update Firmware**.

For further information on procedures, refer to the *STEP 7* online help.

The system outputs a message to indicate successful completion of the update and immediately enables the new firmware.

After you have completed the CP 340 firmware update, attach a new label showing the new firmware version.

Note

Switch the CPU to STOP before you download the module firmware file for the CP 340.

Update not completed successfully

The module's red SF LED flashes if the update was not successful. Repeat the update. Contact your local Siemens representative if the update fails.

LED display elements

LED display elements when the FW update operation is active:

Table 5- 5 LED display elements during the FW update

Status	SF	TXD	RXD	Remark	To correct or avoid errors
FW update in progress	On	On	On	-	-
FW update completed	On	Off	Off	-	-
CP 340 without module firmware	Flashes (2 Hz)	Off	Off	Module firmware deleted, firmware update was cancelled, firmware update still possible	Reloading the firmware
Hardware error during firmware update	Flashes (2 Hz)	Flashes (2 Hz)	Flashes (2 Hz)	Delete/write operation failed	Switch module power off and on and try to download the firmware again. Check whether the module is defective.

Viewing the HW and FW versions

To view the current hardware and firmware version of the CP 340, open **STEP 7** and select the **Module Information** dialog box. You can open this dialog box by:

In the SIMATIC Manager, selecting: **File > Open > Project > Open HW Config > Station > Open Online >** and double-clicking the CP 340 module.

Communication using function blocks

6.1 Communication via Function Blocks

Introduction

Communication between the CPU, the CP 340 and a communication partner takes place via the function blocks and the protocols of the CP 340.

Communication between CPU and CP 340

The function blocks form the software interface between the CPU and the CP 340. They must be called up cyclically from the user program.

Communication between CP 340 and a Communication Partner

The protocol conversion takes place on the CP 340. The protocol (3964(R) procedure, ASCII driver, or printer driver) is used to adapt the CP 340 interface to that of the communication partner.

This enables the CP 340 to be linked to all communication partners which support the standard protocols (3964(R) procedure, ASCII driver or printer driver).

6.2 Overview of the Function Blocks

Introduction

The S7-300 programmable controller provides you with a number of function blocks which initiate and control communication between the CPU and the CP 340 communications processor in the user program.

Function Blocks / Functions of the CP 340

The table below shows the function blocks / functions of the CP 340 and their meanings.

Table 6- 1 Function Blocks / Functions of the CP 340

FB/FC	Meaning
FB 2 P_RCV	The P_RCV function block allows you to receive data from a communication partner and store it in a data block.
FB 3 P_SEND	The P_SEND function block allows you to send all or part of a data block to a communication partner.
FB 4 P_PRINT	The P_PRINT function block allows you to output a message text containing up to 4 variables to a printer.
FC 5 V24_STAT	The V24_STAT function allows you to read the signal states at the RS 232C interface of the CP 340-RS 232C.
FC 6 V24_SET	The V24_SET function allows you to read the signal states at the RS 232C interface of the CP 340-RS 232C.

Scope of Supply and Installation

The program example of the CP 340, the function blocks and the configuration tool CP 340: Point-to-Point Communication, Parameter assignment and this manual are available on a CDROM.

The program examples are installed together with the parameterization interface. After installation, the function blocks are stored in the following library:

CP340

To open the library, open SIMATIC Manager of STEP 7, and then select **File > Open > Library** under **CP PtP\CP 340\Blocks**.

For working with the function blocks, you have to copy the required function block in your project.

6.3 Using the function blocks for connecting to a communications processor

Introduction

The following function blocks are available for linking with a communication partner: P_SEND (FB 3) for sending data, and P_PRCV (FB 2) for receiving data in the cyclical program.

Jobs which can be processed simultaneously

Only one FB P_SEND and one FB P_RCV may be inserted in the user program for each CP 340 used.

In addition, you may only program one instance data block for the FB P_SEND and the FB P_RCV, since the instance data blocks contain the necessary status information for the internal FB sequence.

6.3.1 S7 sends data to a communication partner

Sending data

The P_SEND FB transmits a subframe from a data block, specified by the parameters DB_NO, DBB_NO and LEN, to the CP 340. The P_SEND FB is called statically (without conditions) for data transmission in the cycle or alternatively in a time-controlled program.

The data transfer is initiated by a positive edge at the REQ input. Depending on the volume of data involved, a data transmission may run over several calls (program cycles).

The P_SEND FB can be called cyclically with the signal state "1" at the R parameter input. This aborts the transmission to the CP 340 and resets the PB P_SEND to its initial state. Data that has already been received by the CP 340 is still sent to the communication partner. If the signal state remains static at "1" at input R, it means that sending has been deactivated.

The LADDR parameter specifies the address of the CP 340 to be addressed.

6.3 Using the function blocks for connecting to a communications processor

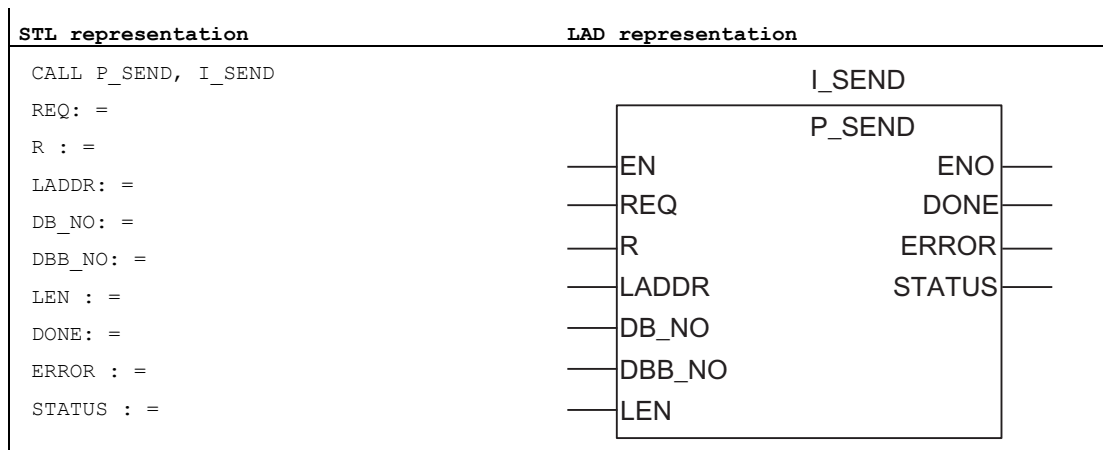
The DONE output shows "job completed without errors". ERROR indicates whether an error has occurred. If an error has occurred, the corresponding event number is displayed in STATUS (see Chapter "Diagnostics Messages of the Function Blocks P_SEND, P_RCV and P_PRINT (Page 134)"). If there were no errors, STATUS has the value 0. DONE and ERROR/STATUS are also output when the S_SEND FB is reset (see the following figure). In the event of an error, the binary result BR is reset. If the block is terminated without errors, the binary result has the status "1".

Note

The function block P_SEND does not have a parameter check, that is if there are invalid parameters, the CPU branches to the STOP mode.

Before the CP 340 can process an activated request after the CPU has changed from STOP to RUN mode, the CP-CPU startup mechanism of the P_SEND function block must have been completed (see Chapter "General Information on Program Processing (Page 124)"). Any requests initiated in the meantime do not get lost. They are transmitted once the start-up coordination with the CP 340 is finished.

Block call



Note

The parameters EN and ENO are only present in the graphical representation (LAD or FBD). To process these parameters, the compiler uses the binary result BR. The binary result is set to signal state "1" if the block was terminated without errors. If there was an error, the BR is set to "0".

Assignment in the data area

The P_SEND function block works together with an Instance DB for I_SEND. The DB number is specified in the call. The instance data block is 40 bytes long. Access to the data in the instance DB is not permitted.

Note

Exception: If the error STATUS == W#16#1E0F occurs, you can consult the SFCERR or SFCSTATUS variables for additional details (see the chapter titled "Diagnostics Messages of the Function Blocks P_SEND, P_RCV and P_PRINT (Page 134)"). For detailed information refer to "Calling variable SFCERR or SFCSTATUS".

P_SEND (FB 3) parameters

The table below lists the parameters of P_SEND (FB 3).

Table 6- 2 P_SEND (FB 3) parameters

Name	Type	Data type	Comment	Permitted values, comment
REQ	INPUT	BOOL	Initiates request at positive edge	
R	INPUT	BOOL	Cancels request	Current request is aborted. Sending is locked.
LADDR	INPUT	INT	Basic address of CP 340	The start address is taken from STEP 7.
DB_NO	INPUT	INT	Data block number	Send DB no.: CPU-specific (zero not permitted)
DBB_NO	INPUT	INT	Data byte number	$0 \leq \text{DBB_NO} \leq 8190$ Transmitted data as of data byte
LEN	INPUT	INT	Data length	$1 \leq \text{LEN} \leq 1024$, specified in number of bytes
DONE ¹⁾	OUTPUT	BOOL	Request completed without errors	STATUS parameter == 16#00;
ERROR ¹⁾	OUTPUT	BOOL	Request completed with errors	Error information is written to the STATUS parameter.
STATUS ¹⁾	OUTPUT	WORD	Specification of error	If ERROR == 1, the STATUS parameter contains the error information.
1) The parameter is available for a single CPU cycle after the send request has been completed correctly.				

Time Sequence Chart for P_SEND (FB 3)

The figure below illustrates the behavior of the DONE and ERROR parameters, depending on how the REQ and R inputs are wired.

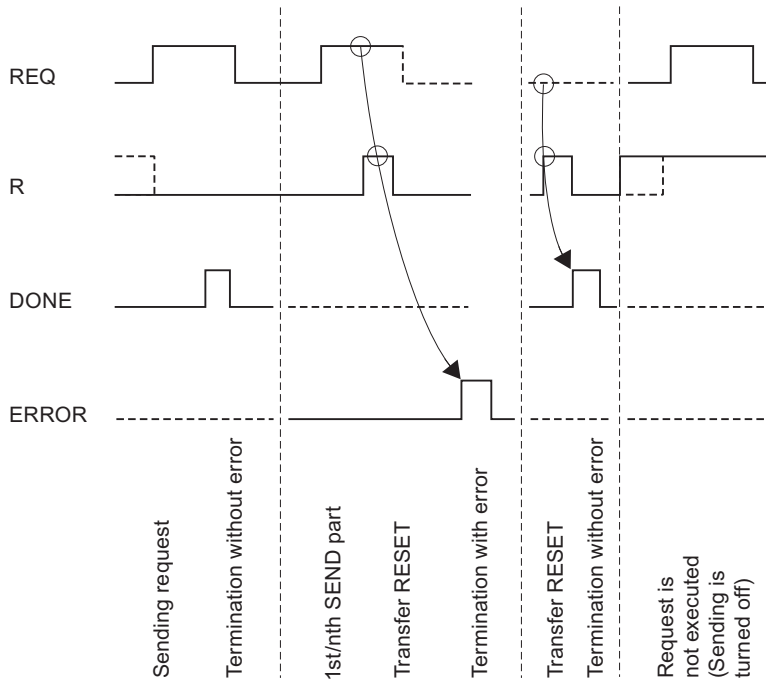


Figure 6-1 Time Sequence Chart for P_SEND (FB 3)

Note

The REQ input is edge-triggered. A positive edge at the REQ input is sufficient. The result of the logic operation must not be at "1" at any point during transfer.

6.3.2 S7 receives data from a communication partner

receiving data

The P_RCV FB transmits data from the CP 340 to an S7 data area specified by the parameters DB_NO, DBB_NO and LEN. The P_RCV FB is called statically (without conditions) for data transmission in the cycle or alternatively in a time-controlled program.

A (static) signal state "1" at the EN_R parameter enables a check to determine whether data can be read from the CP 340. An active transmission event can be canceled with signal state "0" at the EN_R parameter. The aborted receive request is terminated with an error message (STATUS output). Receiving is disabled as long as the signal state at the EN_R parameter is "0". A data transmission operation can run over several calls (program cycles), depending on the amount of data involved.

If the function block detects the signal state "1" at the R parameter, the current send job is aborted and the P_RCV FB is set to the initial state. Receiving is disabled as long as the signal state at the R parameter is "1". If the signal state returns to "0", the canceled message frame is received again from the beginning.

The LADDR parameter defines the CP 340 to be addressed.

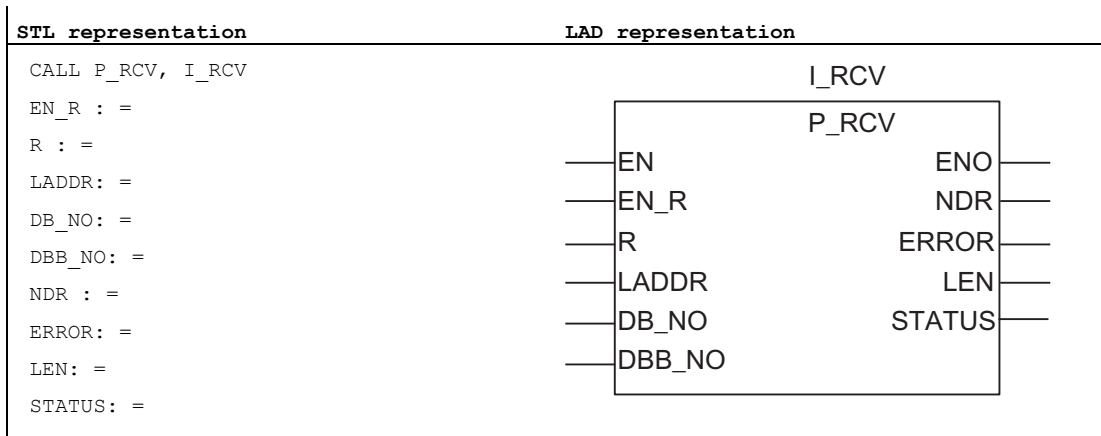
The NDR output shows "Request completed without errors/data accepted" (all data read). ERROR indicates whether an error has occurred. If an error has occurred, the corresponding event number is displayed in STATUS (see Chapter "Diagnostics Messages of the Function Blocks P_SEND, P_RCV and P_PRINT (Page 134)"). If there were no errors, STATUS has the value "0". NDR and ERROR/STATUS are also output when the P_RCV FB is reset (parameter LEN == 16#00). In the event of an error, the binary result BR is reset. If the block is terminated without errors, the binary result has the status "1".

Note

The function block P_RCV does not have a parameter check, i.e. if there are invalid parameters, the CPU can branch to STOP mode.

Before the CP 340 can receive a request after the CPU has changed from STOP to RUN mode, the CP-CPU start-up mechanism of the P_RVC function block must be completed (see Chapter "General Information on Program Processing (Page 124)").

Block call



Note

The parameters EN and ENO are only present in the graphical representation (LAD or FBD). To process these parameters, the compiler uses the binary result BR. The binary result is set to signal state "1" if the block was terminated without errors. If there was an error, the BR is set to "0".

Assignment in the data area

The P_RCV FB works together with an Instance DB for I_RCV. The DB number is specified in the call. The instance data block is 40 bytes long. Access to the data in the instance DB is not permitted.

Note

Exception: If the error STATUS == W#16#1E0E occurs, you can consult the SFCERR or SFCSTATUS variables for additional details (see the chapter titled "Diagnostics Messages of the Function Blocks P_SEND, P_RCV and P_PRINT (Page 134)"). For detailed information refer to "Calling variable SFCERR or SFCSTATUS".

P_RCV (FB 2) parameters

The table below lists the parameters of P_RCV (FB 2).

Table 6-3 P_RCV (FB 2) parameters

Name	Type	Data type	Comment	Permitted values, comment
EN_R	INPUT	BOOL	Enables data read	
R	INPUT	BOOL	Cancel request	Current request is aborted. Receiving locked
LADDR	INPUT	INT	Basic address of CP 340	The start address is taken from STEP 7.
DB_NO	INPUT	INT	Data block number	Receive DB No.: CPU-specific, zero is not permitted
DBB_NO	INPUT	INT	Data byte number	$0 \leq \text{DBB_NO} \leq 8190$ Received data as of data byte
NDR ¹⁾	OUTPUT	BOOL	Request completed without errors, data accepted	STATUS parameter == 16#00;
ERROR ¹⁾	OUTPUT	BOOL	Request completed with errors	Error information is written to the STATUS parameter.
LEN ¹⁾	OUTPUT	INT	Length of message frame received	$1 \leq \text{LEN} \leq 1024$, specified in number of bytes
STATUS ¹⁾	OUTPUT	WORD	Specification of error	If ERROR == 1, the STATUS parameter contains the error information.
¹⁾ The parameter is available for a single CPU cycle after the send request has been completed correctly.				

Time Sequence Chart for FB 2 P_RCV

The figure below illustrates the behavior of the parameters NDR, LEN and ERROR, depending on how the EN_R and R inputs are wired.

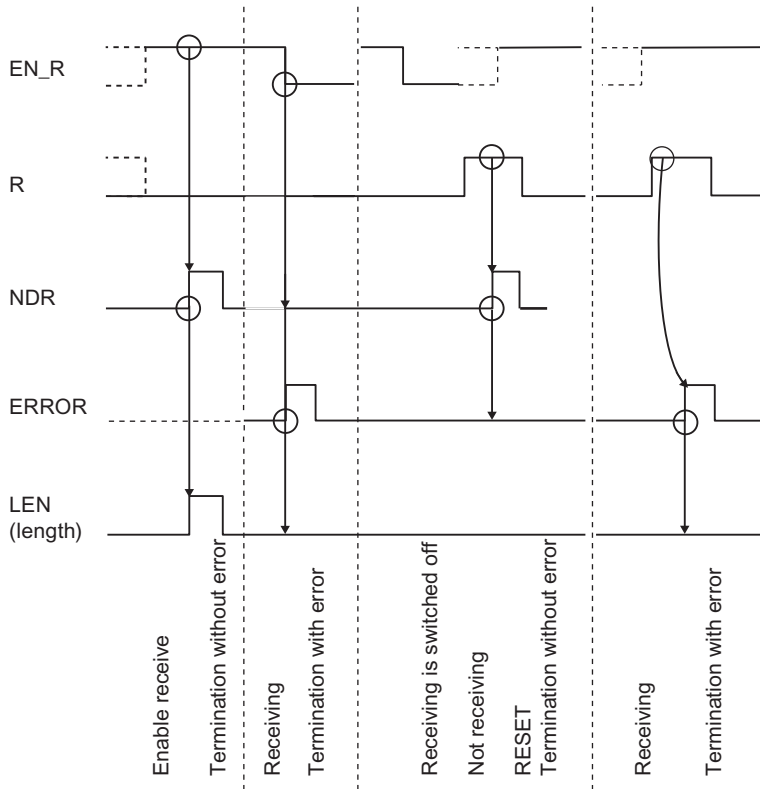


Figure 6-2 Time Sequence Chart FB_2_P_RCV

Note

The EN_R input must be set statically to "1". The EN_R parameter must be supplied with logic operation result "1" throughout the entire receive request.

6.4 Using function blocks for the output of message texts to a printer

Introduction

The P_PRINT function block (FB 4) is available to you for outputting message texts to a printer. The P_PRINT function block (FB 4) sends a process message to the CP 340, for example. The CP 340 logs the process message on the connected printer.

Message texts "outputting"

The P_PRINT FB sends a message text containing up to four variables to the CP 340. You configure the message texts using **CP 340: Point-to-Point Communication, Parameter Assignment** (see sections "Data transmission with the printer driver (Page 56)" and "Conversion and Control Statements for Printer Output (Page 77)"). For the purpose of data transmission, the P_PRINT function block is called cyclically, or alternatively, statically (without conditions) in a time-controlled program.

The pointers (to data blocks) for the format string and the four variables can be reached by means of the DB_NO and DBB_NO parameters. The pointers must be stored without gaps and in a specific sequence in the configured data block. This is the pointer DB (see Figure "Pointer DB").

The transmission of the message text is initiated by a positive edge at the REQ input. The frame starts with the format string of the message text. This is followed by tags 1 to 4.

Depending on the volume of data involved, a data transmission may run over several calls (program cycles).

The P_PRINT function block can be called cyclically when the signal state at the R parameter input is "1". This aborts the transmission to the CP 340 and sets the P_PRINT FB back to its initial state. Data that has already been received by the CP 340 is still sent to the communication partner. If the signal state at the R input remains static at "1", this means that sending of print requests is deactivated.

The LADDR parameter specifies the address of the CP 340 to be addressed.

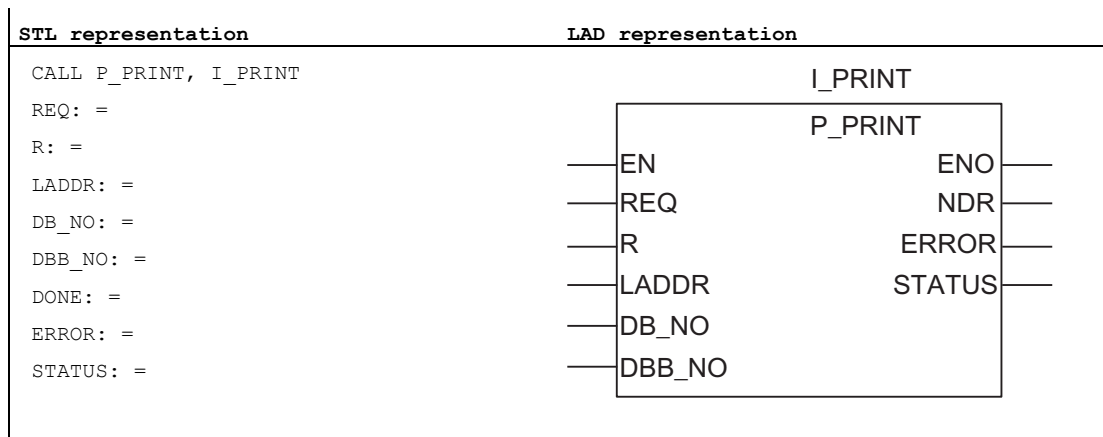
The DONE output shows "job completed without errors". ERROR indicates whether an error has occurred. If an error has occurred, the corresponding event number is displayed in STATUS (see Chapter "Diagnostics Messages of the Function Blocks P_SEND, P_RCV and P_PRINT (Page 134)"). If there were no errors, STATUS has the value "0". DONE and ERROR/STATUS are also output when the P_PRINT function block is reset. In the event of an error, the binary result BR is reset. If the block is terminated without errors, the binary result has the status "1".

Note

The P_PRINT function block does not have a parameter check, which means that if there are invalid parameters, the CPU may switch to STOP mode.

Before the CP 340 can process an activated request after the CPU has changed from STOP to RUN mode, the CP-CPU startup mechanism of the P_PRINT function block must have been completed (see Chapter "General Information on Program Processing (Page 124)"). Any requests initiated in the meantime do not get lost. They are transmitted once the start-up coordination with the CP 340 is finished.

Block call



Note

The parameters EN and ENO are only present in the graphical representation (LAD or FBD). To process these parameters, the compiler uses the binary result BR.

The binary result is set to signal state "1" if the block was terminated without errors. If there was an error, the BR is set to "0".

Assignment in the data area, instance DB

The P_PRINT function block works together with an I_PRINT instance DB. The DB number is specified in the call. The instance data block is 40 bytes long. Access to the data in the instance DB is not permitted.

Note

Exception: If the error STATUS == W#16#1E0F occurs, you can consult the SFCERR or SFCSTATUS variables for additional details (see the chapter titled "Diagnostics Messages of the Function Blocks P_SEND, P_RCV and P_PRINT (Page 134)"). For detailed information refer to "Calling variable SFCERR or SFCSTATUS".

Assignment in the data area, pointer DB

The P_PRINT FB uses the DB_NO and DBB_NO parameters to access a pointer DB in which the pointers to the data blocks containing the message texts and variables are stored in a fixed order. You have to create the pointer DB.

The figure shows the structure of the pointer DB addressed by means of the DB_NO and DBB_NO parameters of the P_PRINT DB.

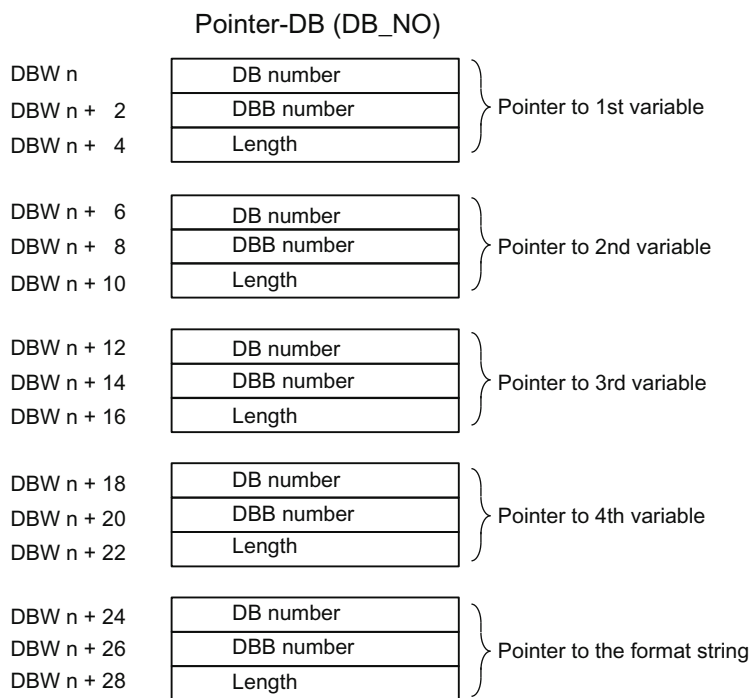


Figure 6-3 Structure of the POINTER DB for the P_PRINT Function Block (FB)

Permissible DB Number

The permissible DB numbers are CPU-specific. If the value 16#00 is specified as the DB number for "Pointer to variable", this variable is interpreted as not present and the pointer is set to the next variable or the format string.

If the DB number is equal to the value 16#00 for "Pointer to format string", the print job is canceled and event number 16#1E43 is indicated at the STATUS parameter output of the FB P_PRINT.

Permissible DBB Number

The variable or format string begins at the configured DBB number. The variables can have a maximum length of 32 bytes, and the format string can have a maximum length of 150 bytes.

If the maximum length is exceeded, the print request is aborted and the event number 16#1E41 displayed at the STATUS parameter output of the P_PRINT FB.

Permissible Length

The entry length in the pointer DB is to be set for each display type (data type) independently from the precision used.

FB 4 P_PRINT Parameters

The table below lists the parameters of the P_PRINT function block (FB 4).

Table 6- 4 FB 4 P_PRINT Parameters

Name	Sort	Data type	Comment	Permitted values, comment
REQ	INPUT	BOOL	Initiates request on positive edge	
R	INPUT	BOOL	Cancel request	Current request is aborted. Printing is locked
LADDR	INPUT	INT	Basic address of CP 340	The start address is taken from STEP 7.
DB_NO	INPUT	INT	Data block number	Pointer to pointer DB: CPU-specific (zero not permitted) (The pointers to variables and format string are stored in the pointer DB in a fixed order (see previous figure).)
DBB_NO	INPUT	INT	Data byte number	0 ≤ DBB_NO ≤ 8162 Pointer as of data byte
DONE ¹⁾	OUTPUT	BOOL	Request completed without errors	STATUS parameter == 16#00;
ERROR ¹⁾	OUTPUT	BOOL	Request completed with errors	Error information is written to the STATUS parameter.
STATUS ¹⁾	OUTPUT	WORD	Specification of error	If ERROR == 1, the STATUS parameter contains the error information.

¹⁾ The parameter is available for a single CPU cycle after the send request has been completed correctly.

Time Sequence Chart for FB 4 P_PRINT

The figure below illustrates the behavior of the DONE and ERROR parameters, depending on how the REQ and R inputs are wired.

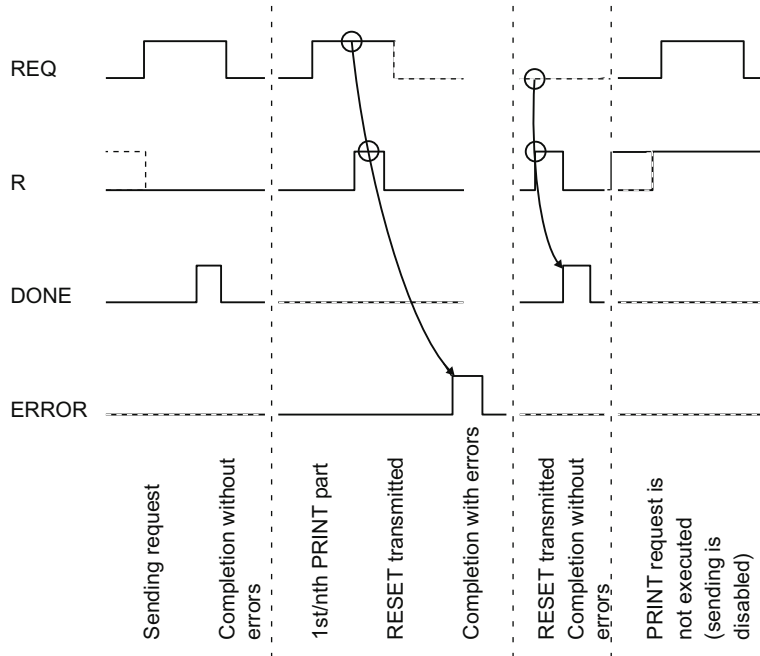


Figure 6-4 Time Sequence Chart for FB 4 P_PRINT

Note

The REQ input is edge-triggered. A positive edge at the REQ input is sufficient. It does not have to have a signal state of "1" during the entire transmission operation.

6.5 Use of function blocks for reading and controlling the RS 232C secondary signals

Introduction

The functions available for reading and controlling the RS 232C secondary signals are V24_STAT (FC 5) for checking the interface statuses and V24_SET (FC 6) for setting/resetting the interface outputs.

Checking the interface states of the CP 340

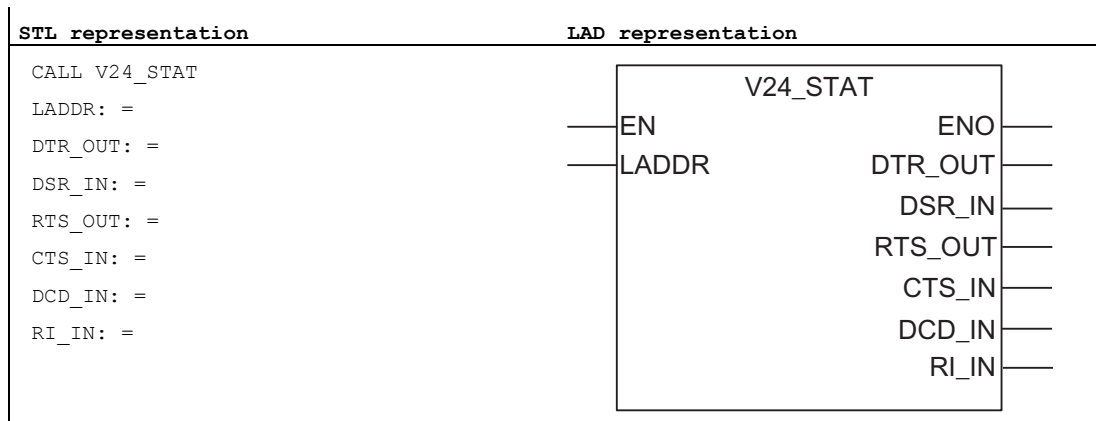
The V24_STAT FC reads the RS 232C secondary signals from the CP 340 and makes them available to the user in the block parameters. The V24_STAT FC is called statically (without conditions) for data transmission in the cycle or alternatively in a time-controlled program.

The RS 232C secondary signals are updated each time the function is called (cyclic polling). The CP 340 updates the status of the inputs/outputs in a timebase of 20 ms. The inputs/outputs are constantly updated independently of this.

The binary result BR is not affected. The function does not issue error messages.

The LADDR parameter defines the CP 340 to be addressed.

Block call



Note

The EN and ENO parameters are only present in the graphical representation (LAD or FBD). To process these parameters, the compiler uses the binary result.

The binary result is set to signal state "1" if the block was terminated without errors. If there was an error, the binary result is set to "0".

A minimum pulse time is necessary for a signal change to be identified. Significant time periods are the CPU cycle time, the updating time on the CP 340 and the response time of the communication partner.

Assignment in the data area

The function V24_STAT FC does not occupy any data areas.

V24_STAT (FC 5) parameters

The table below lists the parameters of the V24_STAT function (FC 5).

Table 6- 5 V24_STAT (FC 5) parameters

Name	Type	Data type	Comment	Permitted values, remark
LADDR	INPUT	INT	CP 340 base address	The base address is taken from STEP 7.
DTR_OUT	OUTPUT	BOOL	Data terminal ready, CP 340 ready	(CP 340 output)
DSR_IN	OUTPUT	BOOL	Data set ready, Communication partner ready	(CP 340 input)
RTS_OUT	OUTPUT	BOOL	Request to send, CP 340 ready to send	(CP 340 output)
CTS_IN	OUTPUT	BOOL	Clear to send, Communication partner can receive data from the CP 340 (response to RTS = ON of the CP 340) (see Chapter RS 232C accompanying signals (Page 46))	(CP 340 input)
DCD_IN	OUTPUT	BOOL	Data Carrier detect, receive signal level	(CP 340 input)
RI_IN	OUTPUT	BOOL	Ring Indicator, Indication of incoming call	(CP 340 input)

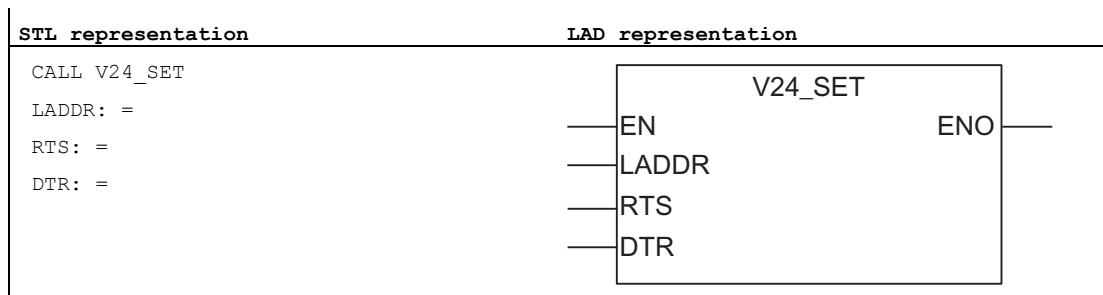
Setting/resetting interface outputs of the CP 340

The user can set or reset the interface outputs via the corresponding parameter inputs of the V24_SET FC. The V24_SET FC is called in the cycle or alternatively in a time-controlled program statically (without conditions).

The binary result is not affected. The function does not issue error messages.

The LADDR parameter defines the CP 340 to be addressed.

Block call



Note

The EN and ENO parameters are only present in the graphical representation (LAD or FBD). To process these parameters, the compiler uses the binary result. The binary result is set to signal state "1" if the block was terminated without errors. If there was an error, the binary result is set to "0".

Assignment in the data area

The V24_SET function does not occupy any data areas.

V24_SET (FC 6) parameters

The table below lists the parameters of the V24_SET function (FC 6).

Table 6-6 V24_SET (FC 6) parameters

Name	Type	Data type	Comment	Permitted values, remark
LADDR	INPUT	INT	CP 340 base address	The base address is taken from STEP 7.
RTS	INPUT	BOOL	Request to send, CP 340 ready to send	(Control CP 340 output)
DTR	INPUT	BOOL	Data terminal ready, CP 340 ready (see Chapter "RS 232C accompanying signals (Page 46)")	(Control CP 340 output)

6.6 Delete receive buffer, FB12 "P_RESET"

P_RESET FB

The P_RESET FB deletes the entire receive buffer of the CP 340. All saved frames will be discarded. Any frame that is incoming at the time when the P_RESET FB is called will be saved.

The FB is activated by a positive edge at the REQ input. The job can run over several calls (program cycles).

The LADDR parameter specifies the address of the CP 340 to be addressed.

Error display on the P_RESET FB

The DONE output shows "job completed without errors". ERROR indicates whether an error has occurred. If there was an error, the corresponding event number is displayed in STATUS. If no error arises, the STATUS has the value 0. If an error arises the binary result BR is reset. If the block is terminated without errors, the binary result has the status "1".

Note

The P_RESET FB function block does not have a parameter check, which means that if there are invalid parameters, the CPU may switch to STOP mode.

STL representation	LAD representation
<pre>CALL P_RESET, I_P_RESET REQ: = LADDR: = DONE: = ERROR: = STATUS: =</pre>	

Note

The EN and ENO parameters are only present in the graphical representation (LAD or FBD). The block is started with EN = TRUE. If the function ends without an error, ENO = TRUE is set. To process these parameters, the compiler uses the binary result.

The binary result is set to signal state "1" if the block was terminated without errors. If there was an error, the binary result is set to "0".

Assignment in the data area

The P_RESET function block works together with an I_P_RESET instance DB. The DB number is specified in the call. The data in the instance DB cannot be accessed.

Note

Exception: In the event of an error, STATUS == W#16#1E0F, you will find more detailed information in the SFCERR or SFCSTATUS variables. See "Calling the SFCERR or SFCSTATUS variable" for more information.

P_RESET FB parameters

The table below lists the parameters of the P_RESET FB.

Table 6-7 P_RESET FB parameters

Name	Type	Data type	Description	Permitted values, remark
REQ	INPUT	BOOL	Initiates job on positive edge	
LADDR	INPUT	INT	CP 340 base address	The base address is taken from STEP 7.
DONE ⁽¹⁾	OUTPUT	BOOL	Job completed without errors	STATUS parameter == 16#00;
ERROR ⁽¹⁾	OUTPUT	BOOL	Job completed with errors	Error information is written to the STATUS parameter.
STATUS ⁽¹⁾	OUTPUT	WORD	Specification of error	If ERROR == 1, the STATUS parameter will contain error information.
⁽¹⁾ The parameter is available until the next time the FB is called.				

Time sequence chart for the P_RESET FB

The figure below illustrates the behavior of the DONE and ERROR parameters depending on the input circuit of REQ.

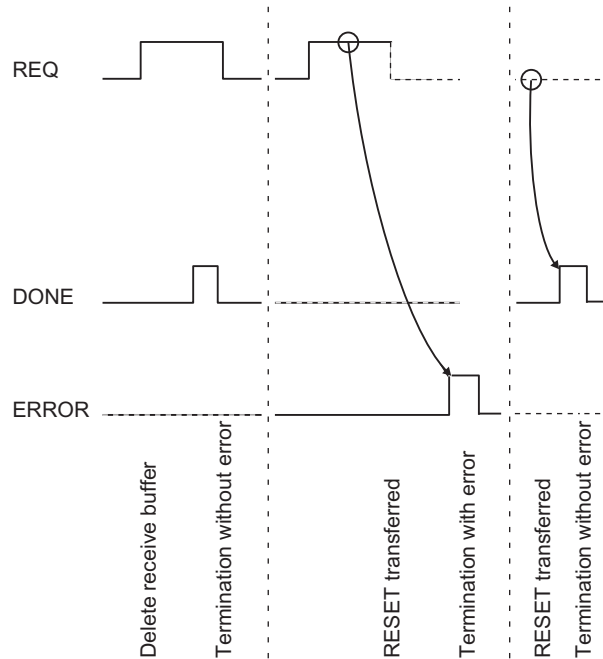


Figure 6-5 Time sequence chart for the P_RESET FB

Note

The REQ input is edge-triggered. A positive edge at the REQ input is adequate. It is not required that the RLO (result of logical operation) is "1" during the whole transmission procedure.

6.7 General Information on Program Processing

Start-up Behavior of CP 340 Programmable Controller

The parameterization data are generated using **CP 340: Point-to-Point Communication, Parameter Assignment** parameterization interface and transmitted to the CPU with the STEP 7 software. Each time the CPU is started up, the current parameters are transferred to the CP 340 by the system service of the CPU.

Start-up Behavior: FB-CP 340

Once the connection between the CPU and the CP 340 has been established, the CP 340 must be initialized.

For each function block, P_SEND, P_RCV, P_PRINT, there is a separate start-up coordination. Before requests can be actively processed, the accompanying start-up procedure must be completed.

Disable interrupts

The interrupts are not disabled in the function blocks.

Interrupt behavior

The CP 340 module can trigger a diagnostics interrupt in the CPU. When this happens, the operating system provides the user with 4 bytes of interrupt information. Interpretation of the interrupt information must be programmed by the user (OB 82).

The CP 340 function blocks cannot be called in the process or diagnostics interrupt program.

Addressing the module

The logical basic address is defined via STEP 7 and must be specified by the user under the block parameter LADDR.

6.8 Technical data of the function blocks

Introduction

Listed below is the technical specifications relating to memory requirements, runtimes, minimum number of CPU cycles, and system functions used.

Memory requirements

The table below lists the memory requirements of the CP 340 function blocks/functions.

Table 6- 8 Memory requirements of the function blocks/functions (in bytes)

Block	Name	Version	Load memory	Work memory	Local data
FB 2	P_RCV	2.0	2264	1888	40
FB 3	P_SEND	2.0	1942	1590	40
FB 4	P_PRINT	2.0	2094	1726	44
FB 12	P_RESET	1.0	1454	1170	30
FC 5	V24_STAT	2.0	182	108	2
FC 6	V24_SET	2.0	150	84	2

Minimum number of CPU cycles

The table below describes the minimum number of CPU cycles (FB/FC calls) required to process a "minimum job" (14 bytes SEND, 13 bytes RECEIVE for the quantity of user data transported per program cycle). This only applies in centralized operation.

Table 6- 9 Minimum number of CPU cycles

	Number of CPU cycles for processing ...		
	Termination without error	Termination with error	RESET/RESTART
RECEIVE	≥3	≥ 3	≥ 4
SEND	≥ 3	≥ 3	≥ 4
PRINT	≥ 3	≥ 3	≥ 4
V24_STAT	1	-	-
V24_SET	2	>> 2	-

Before the CP 340 can process an activated job after the CPU has changed from STOP to RUN mode, the CP-CPU startup mechanism of the P_SEND or P_PRINT function block must have been completed. Any requests initiated in the meantime do not get lost. They are transmitted once the start-up coordination with the CP 340 is finished.

Before the CP 340 can receive a frame in the user program after a change in the CPU mode from STOP to RUN, the CP-CPU startup mechanism "RCV" must be completed.

System functions used

The following system functions are used in the blocks:

- SFB 52 (RDREC), Read data set
- SFB 53 (WRREC), Write data set

Notice

The new standard function blocks of the CP340

- FB2 V2.0 (P_RCV)
- FB3 V2.0 (P_SEND)
- FB4 V2.0 (P_PRINT)

and

- FB12 V1.0 (P_RESET)

operate with the new system function blocks SFB52 (RDREC) or SFB53 (WRREC) that are supported by the latest CPU versions (*) only. This conversion was necessary because the old system calls SFC58 (WR_REC) and SFC59 (RD_REC) are not suitable for operation following an IE/PB link or a PROFINET header!

Users with older CPU versions that do not support SFB52 (RDREC) or SFB53 (WRREC) yet will find the older versions of FB2, FB3 and FB4 with the designations FB102 (P_RCV_OLD2), FB103 (P_SEND_OLD) and FB104 (P_PRINT_OLD) in their regular location.

(*) All S7-300 CPUs with MMC and S7-400 CPUs as of firmware version V3.0.0 support the new system function blocks SFB52 and SFB53. CPU318 will permit the use of SFB52/SFB53 with decentralized periphery only.

Startup

7.1 Operating Modes of the CP 340

Introduction

The CP 340 has the operating modes STOP, new parameterization and RUN.

STOP

When the CP 340 is in STOP mode, no protocol driver is active and all send and receive jobs from the CPU are given a negative acknowledgment.

The CP 340 remains in STOP mode until the cause of the stop is removed (e.g., break, invalid parameter).

Assignment of new parameters

For new parameterization, the protocol driver is initialized. The SF LED is on during new parameterization.

Sending and receiving are not possible, and send and receive frames stored in the CP 340 are lost when the driver is subjected to a warm restart. Communication between the CP and the CPU is restarted (active frames are cancelled.)

At the end of the new parameterization, the CP 340 is in RUN mode and is ready to send and receive.

RUN

The CP 340 executes the CPU jobs. The frames received by the communication partner will be prepared for their transfer to the CPU.

7.2 Startup Characteristics of the CP 340

Introduction

The CP 340 start-up is divided into two phases:

- Initialization (CP 340 in POWER ON mode)
- Parameterization

Initialization

As soon as the CP 340 is connected to the power supply, the serial interface is supplied with default parameters (the interface parameters are given preset values at the factory) of the module.

As soon as the initialization is complete, the CP 340 automatically starts up with the 3964R driver with block check by default. The CP 340 is now ready for operation.

Parameterization

During parameterization the CP 340 receives the module parameters assigned to the current slot, which were generated using **CP 340: Point-to-Point Communication**, Parameter Assignment parameterization interface.

Reparameterization is performed. The default parameters are overwritten by the newly set module parameters.

7.3 Behavior of the CP 340 on Operating Mode Transitions of the CPU

Introduction

Once the CP 340 has been started up, all data is exchanged between the CPU and the CP 340 by means of the function blocks.

CPU-STOP

In CPU-STOP mode, communication via the S7 backplane bus is not possible. Any active CP-CPU data transmission, including both send and receive message frames, is aborted and the connection is reestablished.

Data traffic at the RS 232C interface of the CP 340-RS 232C is continued with the ASCII driver and the printer driver in the case of parameterization without flow control. In other words, the current send request is completed. In the case of the ASCII driver, receive message frames continue to be received until the receive buffer is full.

CPU Startup

At start-up, the CPU sends off the parameters generated with **CP 340: Point-to-Point Communication, Parameter Assignment** parameterization interface. The CP 340 only reparameterizes if the parameters have changed.

Through appropriate parameterization with the parameterizing software, you can have the receive buffer on the CP 340 deleted automatically at CPU start-up.

CPU RUN

When the CPU is in RUN mode, sending and receiving are unrestricted. In the first FB cycles following the CPU restart, the CP 340 and the corresponding FBs are synchronized. No new P_SEND, P_RCV or P_PRINT FB is executed until this is finished.

Points to Note when Sending Message Frames, Printer Output

Transmission of message frames and printer output are possible only in CPU RUN mode.

If the CPU switches to STOP mode during CPU > CP data transmission, the P_SEND or P_PRINT FB reports the error "current program interrupted, request aborted due to BREAK/restart/reset" after restart.

Note

The CP 340 does not send data to the communications partner until it has received all data from the CPU.

Points to Note when Receiving Message Frames

With the **CP 340: Point-to-Point Communication, Parameter Assignment** tool can be used to configure the "Delete CP receive buffer at startup = yes/no."

- If you select "yes", the receive buffer on the CP 340 is automatically deleted when the CPU mode changes from STOP to RUN.
- If you select "no", as many message frames as you have parameterized are stored in the CP 340 receive buffer (1 to 250).

If the CPU changes to STOP mode during transmission CP < CPU, the P_RCV FB reports the error "current program interrupted, request aborted due to BREAK/restart/ reset" after restart. If "Delete CP receive buffer at startup = no" is set, the message frame is retransmitted from the CP 340 to the CPU.

See also

Serial Transmission of a Character (Page 23)

Diagnostics with the CP 340

Introduction

The diagnostics functions of the CP 340 enable you to quickly localize any errors which occur. The following diagnostics options are available:

- Diagnosis via the Display Elements of the CP 340
- Diagnosis via the STATUS output of the function blocks
- Diagnosis via the S7-300 backplane bus
- Diagnostics by means of the diagnostic buffer of the CP 340

Display elements (LED)

The display elements show the operating mode or possible error states of the CP 340. The display elements give you an initial overview of any internal or external errors as well as interface-specific errors (see Chapter "Diagnosis via the Display Elements of the CP 340 (Page 133)").

STATUS Output of the FBs

The P_SEND, P_RCV and P_PRINT function blocks have a STATUS output for error diagnostics. Reading the STATUS output of the function blocks gives you information on errors which have occurred during communication. You can evaluate the STATUS output in the user program (see Chapter "Diagnostics Messages of the Function Blocks P_SEND, P_RCV and P_PRINT (Page 134)").

The CP 340 also enters the diagnostic events at the STATUS output in its diagnostic buffer.

S7-300 backplane bus

The CP 340 can trigger a diagnostics alarm on the CPU assigned to it. CP 340 provides 4 bytes of diagnostics information at the S7-300 backplane bus. This information is analyzed via the user program (OB 82) or using a programming device to read from the CPU diagnostic buffer (see Chapter "Diagnostics via the S7-300 backplane bus (Page 142)").

The CP 340 also writes diagnostic events which have triggered a diagnostics interrupt to its diagnostic buffer.

If a diagnostics alarm event occurs, the SF LED (red) lights up.

Diagnostic Buffer of the CP 340

All the CP 340's errors are entered in its diagnostic buffer.

In the same way as with the diagnostic buffer of the CPU, you can also use the STEP 7 information functions on the programming device to display the user-relevant information of the CP diagnostic buffer (see Chapter "Diagnostics by means of the diagnostic buffer of the CP 340 (Page 144)").

8.1 Diagnosis via the Display Elements of the CP 340

Introduction

The display elements of the CP 340 provide information on the CP 340. The following display functions are distinguished:

- **Group error displays**
 - SF (red) An error has occurred, or new parameters were assigned
- **Special displays**
 - TXD (green) Sending active; lights up when the CP 340 is sending user data via the interface
 - RXD (green) Receiving active; lights up when the CP 340 is receiving user data via the interface

Group error LED SF

The group alarm LED SF always lights up after POWER ON and goes out after initialization. If parameterization data has been generated for the CP 340, the SF LED again lights up briefly during reparameterization.

The group alarm LED SF lights up whenever the following occur:

- Hardware faults
- Firmware errors
- Parameterization errors
- BREAKs (receive cable between CP 340 and communications partner becomes disconnected). The BREAK display on the Group alarm LED SF only occurs if the BREAK monitoring was not deactivated with the parameter assignment interface.

Note

In the event of a BREAK on the RXD line, the group alarm LED SF and the special LED RXD light up.

8.2 Diagnostics Messages of the Function Blocks P_SEND, P_RCV and P_PRINT

Introduction

Every function block has a STATUS parameter for error diagnostics. The STATUS message numbers always have the same meaning, irrespective of which function block is used.

Numbering scheme for event class/event number

The figure below illustrates the structure of the STATUS parameter.

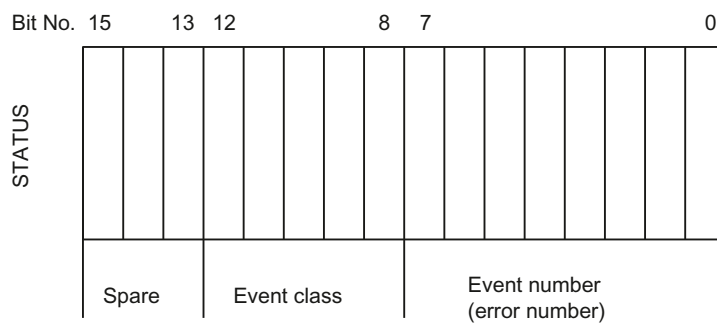


Figure 8-1 Structure of the STATUS parameter

Example

The figure below illustrates the content of the STATUS parameter for the "Job aborted due to warm restart, hot restart or reset" event (event class: 1EH, event number 0DH).

Event: "Job aborted due to warm restart, hot restart or reset"

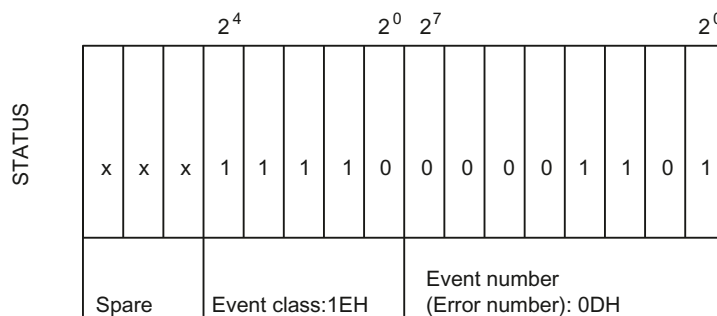


Figure 8-2 Example: Structure of the STATUS parameter for the the "Job aborted due to warm restart, hot restart or reset" event

Event classes

The table below describes the various event classes and numbers.

Table 8- 1 Event classes and event numbers

Event class 5 (05H): "Error while processing CPU request"		
Event no.	Event	To correct or avoid errors
(05)02H	Job not permitted in this CP operating mode (e.g., device interface not parameterized)	Evaluate the diagnostic interrupt and rectify the error accordingly.
(05)05H	Only for printer drivers: System data block with message texts not available on the CP	Use the parameter assignment software to configure the message texts, and then carry out a warm restart.
(05)06H	Only for printer drivers: Message text not available	Use the parameter assignment software to configure the message texts, and then carry out a warm restart.
(05)07H	Only for printer drivers: Message text too long	Edit the message text to reduce it to a length of fewer than 150 characters (or no more than 250 characters if it contains variables).
(05)08H	Only for printer drivers: Too many conversion statements	You have configured more conversion statements than variables. Conversion statements without associated variables will be ignored.
(05)09H	Only for printer drivers: Too many variables	You have configured more variables than conversion statements. Variables without associated conversion statements will not be output.
(05)0AH	Only for printer drivers: Unknown conversion statement	Check the conversion statement. Undefined or unsupported conversion statements are replaced in the printout with *****.
(05)0BH	Only for printer drivers: Unknown control statement	Check the control statement. Undefined or unsupported control statements will be ignored. The control statement will not be output as text either.
(05)0CH	Only for printer drivers: Conversion statement not executable	Check the conversion statement. Conversion statements that cannot be executed are output in the printout in accordance with the defined width and the valid remainder of the conversion statement or the default display with * characters.
(05)0DH	Only for printer drivers: Width in conversion statement too small or too great	Correct the specified width of the variable in the conversion statement on the basis of the variable's maximum possible number of characters in text-based display types (A, C, D, S, T, Y, Z). Only as many characters as will fit in the specified width appear in the printout; the text is truncated to this width. In all other cases, * characters are output corresponding to the width.
(05)0EH	Only for 3964(R) and ASCII drivers: Invalid telegram length	Telegram length is > 1,024 bytes. The rest of the telegram (> 1,024 bytes) is still being received by the CP 340; this means that the first part of the telegram is discarded. Select a shorter telegram length.

Event class 5 (05H): "Error while processing CPU request"		
Event no.	Event	To correct or avoid errors
(05)1BH	Only for printer drivers: Precision invalid	Correct the specified precision in the conversion statement. The precision is always initialized with a dot prefix to identify and limit the width (for example, ".2" to output the decimal point and two decimals.) Precision is only relevant to display types A, D, F, and R. It is ignored otherwise.
(05)1CH	Only for printer drivers: Variable invalid (variable length incorrect/incorrect type)	Correct the specified variable. The corresponding table indicates the possible data types for each display type.
(05)1EH	Only for printer drivers: The "line end sequences" sent with this job (i.e.: \$R / \$L / \$N) do not fit (any longer) on the (initial) page.	Increase the length of your page, reduce the number of lines (or line feeds) or spread your printout over a number of pages.

Event class 7 (07H): "Send error"		
Event no.	Event	To correct or avoid errors
(07)01H	Only for 3964(R): Sending of the first repetition: <ul style="list-style-type: none"> An error was detected when transmitting the telegram, or The partner requested a repetition by means of a negative acknowledgment character (NAK). 	A repetition is not an error, but it can indicate that there is interference on the data link or the partner device has malfunctioned. If the telegram still has not been transmitted after the maximum number of repetitions, an error number is output that describes the first error that occurred.
(07)02H	Only for 3964(R): Error establishing connection: After STX was sent, NAK or any other code (except for DLE or STX) was received.	Check for malfunction of the partner device; you may need to use an interface test device (FOXPG) interconnected in the data link.
(07)03H	Only for 3964(R): Acknowledgment delay time (QVZ) exceeded: After STX was sent, partner did not respond within the acknowledgment delay time.	The partner device is too slow or not ready to receive, or there is a break in the transmission line, for example. Check for malfunction of the partner device; you may need to use an interface test device (FOXPG) interconnected in the data link.
(07)04H	Only for 3964(R): Termination by partner: One or more codes were received from the partner during sending.	Check whether the partner is also indicating errors, possibly because not all transmitted data arrived (e.g., break in the transmission line), fatal errors are pending or the partner device has malfunctioned. You may need to use an interface test device (FOXPG) interconnected in the data link to check this.

Event class 7 (07H): "Send error"		
Event no.	Event	To correct or avoid errors
(07)05H	Only for 3964(R): Negative acknowledgment when sending	Check whether the partner is also indicating errors, possibly because not all transmitted data arrived (e.g., break in the transmission line), fatal errors are pending or the partner device has malfunctioned. You may need to use an interface test device (FOXPG) interconnected in the data link to check this.
(07)06H	Only for 3964(R): End-of-connection error: <ul style="list-style-type: none"> Partner rejected telegram at end of connection with NAK or a random string (except for DLE), or Acknowledgment characters (DLE) received too early. 	Check whether the partner is also indicating errors, possibly because not all transmitted data arrived (e.g., break in the transmission line), fatal errors are pending or the partner device has malfunctioned. You may need to use an interface test device (FOXPG) interconnected in the data link to check this.
(07)07H	Only for 3964(R): Acknowledgment delay time exceeded at end of connection or response monitoring time exceeded after a send telegram: After connection termination with DLE ETX, no response received from partner within acknowledgment delay time.	Partner device too slow or faulty. You may need to use an interface test device (FOXPG) interconnected in the data link to check this.
(07)08H	Only for ASCII drivers and printer drivers: The wait time for XON or CTS = ON has expired.	The communication partner is faulty, too slow or has been taken offline. Check the communication partner; you may need to change the parameter assignment.
(07)0BH	Only for 3964(R): Initialization conflict cannot be resolved because both partners have high priority.	Change the parameter assignment.
(07)0CH	Only for 3964(R): Initialization conflict cannot be resolved because both partners have low priority.	Change the parameter assignment.

Event class 8 (08H): "Receive error"		
Event no.	Event	To correct or avoid errors
(08)01H	<p>Only for 3964(R): Expectation of the first repetition: An error was detected on receiving a telegram and the CP requested repetition from the partner via a negative acknowledgment (NAK).</p>	A repetition is not an error, but it can indicate that there is interference on the data link or the partner device has malfunctioned. If the telegram still has not been transmitted after the maximum number of repetitions, an error number is output that describes the first error that occurred.
(08)02H	<p>Only for 3964(R): Error establishing connection:</p> <ul style="list-style-type: none"> • In idle mode, one or more random codes (other than NAK or STX) were received, or • After an STX was received, the partner sent more characters without waiting for the response DLE. <p>After partner power ON:</p> <ul style="list-style-type: none"> • While partner is being switched on, the CP receives an undefined character. 	Check for malfunction of the partner device; you may need to use an interface test device (FOXPG) interconnected in the data link.
(08)05H	<p>Only for 3964(R): Logical error while receiving: After DLE was received, a further random code (other than DLE or ETX) was received.</p>	Check whether the partner always duplicates the DLE in the telegram header and data string or the connection is terminated with DLE ETX. Check for malfunction of the partner device; you may need to use an interface test device (FOXPG) interconnected in the data link.
(08)06H	<p>Character delay time (ZVZ) exceeded:</p> <ul style="list-style-type: none"> • Two successive characters were not received within character delay time, or <p>Only for 3964(R):</p> <ul style="list-style-type: none"> • 1. character after sending of DLE while establishing connection was not received within the character delay time. 	Partner device too slow or faulty. Check this using an interface test device (FOXPG) interconnected in the data link.
(08)07H	<p>Illegal telegram length: A zero-length telegram has been received.</p>	Receipt of a zero-length telegram is not an error. Check why the communication partner is sending telegrams without user data.
(08)08H	<p>Only for 3964(R): Error in block check character (BCC): The value of BCC calculated internally does not match the BCC received by the partner when the connection was terminated.</p>	Check whether the connection is seriously disrupted; in this case you may also occasionally see error codes. Check for malfunction of the partner device; you may need to use an interface test device (FOXPG) interconnected in the data link.
(08)09H	<p>Only for 3964(R): The number of repetitions must be set to the same value.</p>	Assign parameters to the same block wait time at communications partner as at CP 340. Check for malfunction of the communication partner; you may need to use an interface test device (FOXPG) interconnected in the data link.

Event class 8 (08H): "Receive error"		
Event no.	Event	To correct or avoid errors
(08)0AH	There is no free receive buffer available: No receive buffer space available for receiving data.	The P_RCV FB must be called more frequently.
(08)0CH	Transmission error: <ul style="list-style-type: none"> A transmission error (parity error, stop bit error, overflow error) was detected. Only for 3964(R): <ul style="list-style-type: none"> If this happens during send or receive operations, repetition is started. If a corrupted character is received in idle mode, the error is reported immediately so that disturbances on the transmission line can be detected early. If the SF LED (red) and the RxD LED (green) light up, there is a break in the connecting cable (cable break) between the two communication partners. 	Disturbances on the data link cause telegram repetitions, thus lowering user data throughput. The risk of undetected error increases. Change your system setup or cable wiring. Check the connecting cables of the communication partners or check whether both devices have the same setting for baud rate, parity and number of stop bits.
(08)0DH	BREAK: Break in receive line to partner.	Reconnect or switch on partner.
(08)10H	Only for ASCII drivers: Parity error: If the SF LED (red) and the RxD LED (green) light up, there is a break in the connecting cable (cable break) between the two communication partners.	Check the connecting cables of the communication partners or check whether both devices have the same setting for baud rate, parity and number of stop bits. Change your system setup or cable wiring.
(08)11H	Only for ASCII drivers: Character frame error: If the SF LED (red) and the RxD LED (green) light up, there is a break in the connecting cable (cable break) between the two communication partners.	Check the connecting cables of the communication partners or check whether both devices have the same setting for baud rate, parity and number of stop bits. Change your system setup or cable wiring.
(08)12H	Only for ASCII drivers: More characters were received after the CP had sent XOFF or set CTS to OFF.	Reset the parameters for the communication partner or read data from CP more quickly.
(08)18H	Only for ASCII drivers: DSR = OFF or CTS = OFF	The partner has switched the DSR or CTS signal to "OFF" before or during a transmission. Check the partner's control of the RS 232C accompanying signals.

Displaying and evaluating the STATUS output

You can display and evaluate the actual address of the function blocks' STATUS outputs.

Note

An error message is only output if the ERROR bit (job completed with error) is set at the same time. In all other cases the STATUS word is zero.

Event class 30

Event class 30 contains error messages, which could be output during communication via the S7 backplane bus between CP 340 and the CPU.

The table below contains a description of event class 30.

Table 8- 2 Event class 30

Event class 30 (1EH): "Communication error between CP and CPU"		
Event no.	Event	More information/To correct and avoid errors
(1E)0DH	Job aborted due to warm restart, hot restart or reset	
(1E)0EH	Static error when calling RD_REC SFC or RDREC SFB. The RET_VAL return value for the SFC/SFB is made available to you for evaluation in the SFCERR or SFCSTATUS variable respectively on the instance DB.	Load the SFCERR or SFCSTATUS variable from the instance DB.
(1E)0FH	Static error when calling WR_REC SFC or RDREC SFB. The RET_VAL return value for the SFC/SFB is made available to you for evaluation in the SFCERR or SFCSTATUS variable respectively on the instance DB.	Load the SFCERR or SFCSTATUS variable from the instance DB.
(1E)41H	The number of bytes specified at the FBs' LEN parameter is not permissible.	You must stay within a range of values of 1 to 1,024 bytes.
(1E)41H	P_PRINT FB: The number of bytes specified for the variable or format string in the pointer DB under length is not permissible.	You must specify a permissible length: 32 bytes for variables, 150 bytes for format strings.
(1E)43H	P_PRINT FB: No pointer available for format string.	Enter the data block no. and data word no. for the format string in the pointer DB.

Calling the SFCERR or SFCSTATUS variable

You can call the SFCERR or SFCSTATUS variable to obtain more detailed information about the pending event class 30 error, 14 (1E0EH) or 15 (1E0FH).

You can only load the SFCERR or SFCSTATUS variable by means of symbolic access to the corresponding function block's instance DB.

The error messages written to the SFCERR variable are listed in the reference manual titled *System Software for S7 300/400, System and Standard Functions* under the SFC 58 "WR_REC" and SFC 59 "RD_REC" system functions, refer to the error information or the chapter titled "Evaluating errors with the RET_VAL output parameter".

The error messages written to the SFCSTATUS variable are listed in the reference manual titled *System Software for S7 300/400, System and Standard Functions* under the SFB 52 "RDREC" and SFB 53 "WRREC" system functions, refer to the error information.

8.3 Diagnostics via the S7-300 backplane bus

Introduction

The CP 340 can trigger a diagnostics alarm on the assigned CPU, thus indicating a malfunction of the CP 340. You can specify at parameterization whether the CP 340 is to trigger a diagnostics alarm or not in the event of serious errors (see Chapter "Basic parameters of the CP 340 (Page 61)").

"Diagnostics alarm = NO" is the default.

Diagnostics interrupt

In the event of a fault the CP 340 provides diagnostics information on the S7-300 backplane bus. In response to a diagnostics interrupt, the CPU reads the system-specific diagnostics data and enters it in its diagnostics buffer. You can read the contents of the diagnostics buffer on the CPU using a programming device.

If a diagnostics alarm event occurs, the SF LED (red) lights up. In addition, the OB 82 is called with this diagnostics data as start information.

Organization block OB 82

You have the option of programming error responses in the user program in the OB 82.

If no OB 82 is programmed, the CPU automatically enters STOP mode in the event of a diagnostics alarm.

Diagnostics Information (as Bit Pattern)

The CP 340 provides 4 bytes of diagnostics information. To display the error that has occurred, these bytes are occupied as follows:

2nd byte:

The 2nd byte of diagnostic data contains the class ID of the CP 340 in bits 0 to 3.

2. byte							
7	6	5	4	3	2	1	0
0	0	0	0	1	1	0	0

1st, 3rd and 4th bytes:

The 1st, 3rd, and 4th bytes of the diagnostic data represent the error that has occurred.

Bit 0 in the 1st byte is the group error display (SF). Bit 0 is always set to "1" if at least one bit from bits 1 to 7 is set to "1", i.e. if at least one error is entered in the diagnostics data.

Event	1st byte								3rd byte								4th byte							
	7	6	5	4	3	2	1	0	7	6	5	4	3	2	1	0	7	6	5	4	3	2	1	0
Wire break	0	0	1	0	0	1	0	1	0	0	0	0	0	0	1	0	0	0	0	0	0	0	0	0
Incorrect parameter	1	0	0	0	0	0	0	1	0	0	0	0	0	0	0	0	0	0	0	0	0	0	0	0
No parameter	0	1	0	0	0	0	0	1	0	0	0	0	0	0	0	0	0	0	0	0	0	0	0	0
RAM error	0	0	0	0	0	0	1	1	0	0	0	0	0	0	0	0	0	0	0	0	0	1	0	0
ROM error	0	0	0	0	0	0	1	1	0	0	0	0	0	0	0	0	0	0	0	0	0	1	0	0
System error	0	0	0	0	0	0	1	1	0	0	0	0	0	0	0	0	0	0	0	0	0	0	0	0

Diagnosis Information (in KH Format)

The following table shows the 4 bytes diagnosis information of the CP 340 in the KH format.

Event	1. 1st byte	2. 2nd byte	3. 3rd byte	4. 4th byte
Wire break	25H	0CH	02H	00H
Incorrect parameter	81H	0CH	00H	00H
No parameter	41H	0CH	00H	00H
RAM error	03H	0CH	00H	08H
ROM error	03H	0CH	00H	04H
System error	03H	0CH	00H	00H

Dependency of Diagnostics Alarm on CPU Operating Mode

A diagnostics alarm is generated via the I/O bus when fault events (rising edge) and back-to-normal events (falling edge) occur.

When the CPU switches from STOP mode to RUN mode, the following happens:

- All events entered in the diagnostics buffer of the CPU are deleted,
- Events (both fault and back-to-normal) which occurred when the CPU was in STOP mode are not stored,
- Events that are still present when the CPU is back to RUN mode are signaled via the diagnostics alarm.

8.4 Diagnosics by means of the diagnostic buffer of the CP 340

Diagnostic buffer on the CP 340

The CP 340 has its own diagnostic buffer, in which all the diagnostic events of the CP 340 are entered in the sequence in which they occur.

The following are displayed in the diagnostic buffer of the CP 340:

- The operating mode of the CP 340
- Hardware/firmware errors on the CP 340
- Initialization and parameterization errors
- Errors during execution of a CPU job
- Data transmission errors (send and receive errors)

The diagnostic buffer allows the causes of errors in point-to-point communication to be evaluated subsequently in order, for example, to determine the causes of a STOP of the CP 340 or to trace the occurrence of individual diagnostic events.

Note

The diagnostic buffer is a ring buffer for a maximum of 9 diagnostic entries. When the diagnostic buffer is full, the oldest entry is deleted when a new entry is made in it. The most recent entry always comes first. When the power of the CP 340 is switched off, the content of the diagnostic buffer is lost.

Reading the diagnostic buffer at the programming device

The content of the diagnostic buffer of the CP 340 can be read by means of the STEP 7 information functions.

Note

Diagnostic events in the diagnostic buffer of the CP 340 can be read using STEP 7 **as of Version 3.1**.

All the user-relevant information in the CP diagnostic buffer is displayed in the "Diagnostic Buffer" tab in the "Module Information" dialog box. You can open SIMATIC Manager in STEP 7 to call the "Module Information" dialog box.

Requirement: In order to obtain module information, there must be an online connection from the programming device to the programmable controller (online view in the project window).

Proceed as follows:

1. Open the SIMATIC 300 station concerned (double-click or select menu command **Edit > Open**).
2. Then open the "Hardware" object (also by double-clicking or selecting menu command **Edit > Open**).

Result: The window containing the configuration table appears.

3. Select the CP 340 in the configuration table.
4. Select the menu command **PLC > Module Information**.

Result: The "Module Information" dialog box for the CP 340 appears. The first time the dialog is called, the "General" tab appears (default setting).

5. Go to the "Diagnostic Buffer" tab.

Result: The latest diagnostic events of the CP 340 are displayed in plain text on the "Diagnostic Buffer" tab. Additional information about error causes may appear in the "Additional information" output field.

Click "Update" to read the latest data from the CP 340. Click "Help on Event" to show a help text for the selected diagnostic event containing information about troubleshooting.

Programming Example for Standard Function Blocks

Introduction

The programming example given here describes standard functions for operating the CP 340 communications processor.

Objective

The programming example

- aims to show examples of the most important functions
- enables the correct functioning of the connected hardware to be checked (and is therefore simple and easy to follow)
- can easily be extended for your own purposes.

The example shows how a connection to a communications partner can be configured using the standard function blocks P_SEND and P_RCV (to send and receive data respectively).

The example also shows how data can be output to a printer using the P_PRINT function block and how the inputs and outputs of the CP 340 can be controlled and monitored using the V24_STAT and V24_SET standard functions.

There are two SIMATIC stations in the example because the CP 340 has to be parameterized differently for sending/receiving data and for printer output:

- 1st station: Computer link with the P_SEND and P_RCV function blocks
- 2nd station: Printing and reading and controlling RS 232C secondary signals with the P_PRINT function block and the V24_STAT and V24_SET functions

The CP 340 is parameterized by the CPU when the latter is started up (system service).

Prerequisite

The example can be executed with the minimum hardware equipment (2 bytes for inputs, 2 bytes for outputs). The STEP 7 function **Monitor/Modify Variables** is also used (e.g. to modify transmitted data).

The program example

The program example of the CP 340 is supplied on a CD which comes with this manual. The CD also contains the parameterization interface and the function blocks.

It is available both compiled and as an ASCII source file. A list of all the symbols used in the example is also included.

9.1 Device Configuration

Application

To try out the sample program, you could use the following devices:

- One S7-300 programmable controller (mounting rack, power supply, CPU)
- One CP 340 module with a communications partner (e.g. a second CP) or printer, or you could plug in a "short-circuit connector", i.e. the send line is bridged to the receive line
- One simulator module with inputs and outputs (or alternatively one digital input module and one digital output module)
- One programming device (e.g. PG 740).

Note

You do not need the digital inputs and outputs if all functions are executed with the STEP 7 function **Monitor/Modify Variables**. In this case, you must change the program in organization block OB 1.

9.2 Settings

Settings in the CPU via STEP 7

You must configure your controller setup with STEP 7:

- Slot 1: Power supply
- Slot 2: CPU
- Slot 4: Digital input, IB0 and IB1
- Slot 5: Digital output, QB4 and QB5
- Slot 6: CP 340, start address P288

Settings on the CP 340

You cannot make any hardware settings on the CP 340.

All relevant data are configured via STEP 7, including the parameters for the CP 340, using the **CP 340: Point-to-Point Communication, Assigning Parameters**, and then download those data to the CPU.

You can run the program example for the computer link without making changes in the application program with:

- 3964(R) procedure
- ASCII driver with "on expiry of character delay time" end criterion
- ASCII driver with "on receipt of fixed telegram length" end criterion.

For the ASCII driver with the "on receipt of the end character(s)" end criterion, you must also program the end codes.

The program example for the printer can be run with the printer driver only.

The "read and control RS 232C accompanying signals" functions can only be carried out with the ASCII driver. A prerequisite is that you have not set the "Automat. control of V24 signals" parameter on the "Transfer" tab.

9.3 Blocks Used

Blocks Used

The table below shows the blocks used for the sample program.

Block	Symbol	Description
OB 1	CYCLE	Cyclic program processing
OB 100	RESTART	Restart processing
DB 2	DB_P_RCV	Instance DB for P_RCV FB
DB 3	DB_P_SEND	Instance DB for P_SEND FB
DB 4	DB_P_PRINT	Instance DB for P_PRINT FB
DB 10	SEND_DB	Send data block
DB 20	RCV_DB	Receive data block
DB 30	DB_PRT_AUFTR	Pointer DB for format string and variables
DB 31	DB_VAR1	DB data for variable 1
DB 32	DB_VAR2	DB data for variable 2
DB 33	DB_VAR3	DB data for variable 3
DB 34	DB_VAR4	DB data for variable 4
DB 35	DB_STRING	DB data for format string
FB 2	P_RCV	Standard FB for receiving data
FB 3	P_SEND	Standard FB for sending data
FB 4	P_PRINT	Standard FB for outputting message
FC 5	V24_STAT	Standard FC for reading CP outputs
FC 6	V24_SET	Standard FC for writing CP outputs
FC 8	DT_TOD	Standard FC for converting the DT format to TOD
FC 9	CPU_TIME	Standard FC for reading CPU time and converting to TOD
FC 10	ORG_CYC	Organization of cycle
FC 11	SEND_CYC	Sending Data
FC 12	RCV_CYC	receiving data
FC 13	PRN_ZYK	Output message
FC 14	V24_CYC	Controlling RS 232C secondary signals

9.4 Example "Point-to-Point Communication"

Introduction

The inputs and outputs are mapped to memory bits at the beginning and end of OB 1. Only the memory bits are used in the test program.

Inputs and outputs used for FB 2 and FB 3

The table below shows the assignment of the inputs/outputs and memory bits.

Symbol	Input/output	Flag	Comment
ANW_RECH	I 0.0	M 0.0	"1" = Select "point-to-point communication"
ANW_DRUCK	I 0.1	M 0.1	"0" signal
RESET_SP	I 0.2	M 0.2	Start RESET SEND
RESET_R	I 0.3	M 0.3	Start RESET RCV
	I 0.4	M 0.4	Free
	I 0.5	M 0.5	Free
REQ_SP	I 0.6	M 0.6	Start SEND job
EN_R_R	I 0.7	M 0.7	Enable receive
AUFTR_1_SP	I 1.0	M 1.0	Send job selection; "1" = job 1
AUFTR_2_SP	I 1.1	M 1.1	Send job selection; "1" = job 2
AUFTR_1_R	I 1.2	M 1.2	Enable receipt of job selection; "1" = job 1
AUFTR_2_R	I 1.3	M 1.3	Enable receipt of job selection; "1" = job 2
	I 1.4	M 1.4	Free
	I 1.5	M 1.5	Free
	I 1.6	M 1.6	Free
	I 1.7	M 1.7	Free
			Display FB parameter
A_DONE_SP	Q 4.0	M 8.0	SEND DONE
A_ERROR_SP	Q 4.1	M 8.1	SEND ERROR
A_BIE_SP	Q 4.2	M 8.2	SEND binary result
	Q 4.3	M 8.3	"0"
A_NDR_R	Q 4.4	M 8.4	RCV NDR
A_ERROR_R	Q 4.5	M 8.5	RCV ERROR
A_BIE_R	Q 4.6	M 8.6	RCV binary result
	Q 4.7	M 8.7	"0"
	Q 5.0	M 9.0	"0"
	Q 5.2	M 9.2	"0"
	Q 5.3	M 9.3	"0"
	Q 5.4	M 9.4	"0"
	Q 5.5	M 9.5	"0"

9.4 Example "Point-to-Point Communication"

Symbol	Input/output	Flag	Comment
	Q 5.6	M 9.6	"0"
	Q 5.7	M 9.7	"0"

Input/Output parameters for FB 2 and FB 3

The table below shows how the input/output parameters of FB 2 and FB 3 are mapped to bit memories.

Symbol	Address	Data format	Comment
SEND_DONE	M 26.0	BOOL	SEND: DONE parameter
SEND_ERROR	M 26.1	BOOL	SEND: ERROR parameter
SEND_BIE	M 26.2	BOOL	SEND: Binary result
RCV_NDR	M 29.0	BOOL	RCV: NDR parameter
RCV_ERROR	M 29.1	BOOL	RCV: ERROR parameter
RCV_BIE	M 29.2	BOOL	RCV: Binary result
BGADR	MW 21	INT	Logical base address
SEND_STATUS	MW 27	WORD	SEND: STATUS parameter
RCV_STATUS	MW 30	WORD	RCV: STATUS parameter
SEND_DBNO	MW 40	INT	SEND: DB_NO parameter
SEND_DWNO	MW 42	INT	SEND: DBB_NO parameter
SEND_LEN	MW 44	INT	SEND: LEN parameter
RCV_DBNO	MW 50	INT	RCV: DB_NO parameter
RCV_DWNO	MW 52	INT	RCV: DBB_NO parameter
RCV_LEN	MW 54	INT	RCV: LEN parameter

9.5 Example "Printing" and "Reading and Controlling the CP 340 Inputs/Outputs"

Introduction

The inputs and outputs are mapped to memory bits at the beginning and end of OB 1. Only the memory bits are used in the test program.

Inputs and outputs used for FC 5 and FC 6

The assignment of the inputs/outputs to memory bits is shown in the table below.

Symbol	Input/output	Flag	Comment
ANW_RECH	I 0.0	M 0.0	"0" signal
ANW_DRUCK	I 0.1	M 0.1	"1" = select "printing" and "control/status"
RESET_SP	I 0.2	M 0.2	Start RESET PRINT
	I 0.3	M 0.3	Free
	I 0.4	M 0.4	Free
	I 0.5	M 0.5	Free
REQ_SP	I 0.6	M 0.6	Start PRINT job
EN_R_R	I 0.7	M 0.7	Execute SET job
AUFTR_1_DR	I 1.0	M 1.0	Print job selection; "1" = job 1
AUFTR_2_DR	I 1.1	M 1.1	Print job selection; "1" = job 2
AUFTR_3_DR	I 1.2	M 1.2	Print job selection; "1" = job 3
AUFTR_4_DR	I 1.3	M 1.3	Print job selection; "1" = job 4
	I 1.4	M 1.4	Free
	I 1.5	M 1.5	Free
STEU_DTR	I 1.6	M 1.6	Control signal DTR, signal for V24_SET FC
STEU_RTS	I 1.7	M 1.7	Control signal RTS, signal for V24_SET FC
			Display FB parameter
A_DONE_SP	Q 4.0	M 8.0	PRINT DONE
A_BIE_SP	Q 4.2	M 8.2	PRINT binary result
	Q 4.3	M 8.3	"0"
	Q 4.4	M 8.4	"0"
	Q 4.5	M 8.5	"0"
	Q 4.6	M 8.6	"0"
	Q 4.7	M 8.7	"0"
A_V24_STAT_DTR_OUT	Q 5.0	M 9.0	STAT_DTR_OUT
A_V24_STAT_DSR_IN	Q 5.1	M 9.1	STAT_DSR_IN
A_V24_STAT_RTS_OUT	Q 5.2	M 9.2	STAT_RTS_OUT
A_V24_STAT_CTS_IN	Q 5.3	M 9.3	STAT_CTS_IN
A_V24_STAT_DCD_IN	Q 5.4	M 9.4	STAT_DCD_IN

Symbol	Input/output	Flag	Comment
A_V24_STAT_RI_IN	Q 5.5	M 9.5	STAT_RI_IN
	Q 5.6	M 9.6	"0"
	Q 5.7	M 9.7	"0"

Input/Output parameters for FC 5 and FC 6

The table below shows how the input/output parameters of FC 5 and FC 6 are mapped to bit memories.

Symbol	Address	Data format	Comment
BGADR	MW 21	INT	Logical base address
V24_STAT_DTR_OUT	M 13.0	BOOL	STAT: DTR_OUT parameter
V24_STAT_DSR_IN	M 13.1	BOOL	STAT: DSR_IN parameter
V24_STAT_RTS_OUT	M 13.2	BOOL	STAT: RTS_OUT parameter
V24_STAT_CTS_IN	M 13.3	BOOL	STAT: CTS_IN parameter
V24_STAT_DCD_IN	M 13.4	BOOL	STAT: DCD_IN parameter
V24_STAT_RI_IN	M 13.5	BOOL	STAT: RI_IN parameter
PRINT_DBNO	MW 56	INT	PRINT: DB_NO parameter
PRINT_DWNO	MW 58	INT	PRINT: DBB_NO parameter
PRINT_STATUS	MW 61	WORD	PRINT: STATUS parameter
PRINT_DONE	M 60.0	BOOL	PRINT: DONE parameter
PRINT_ERROR	M 60.1	BOOL	PRINT: ERROR parameter
PRINT_BIE	M 60.2	BOOL	PRINT: Binary result

9.6 Installation, Error Messages

Scope of Supply and Installation

The program example of the CP 340, the **CP 340: Point-to-Point Communication, Parameter Assignment** and the function blocks are available on a data carrier that is included with this manual.

The program examples are installed together with the parameterization interface (see Chapter Parameterizing the Communications Protocols (Page 94)). Following installation, you will find the sample program in the following project: **CP340p**

Open the project using the STEP 7 SIMATIC Manager by calling the menu command **File > Open > Project**.

The sample program is available both in compiled form and as an ASCII source file. A list of all the symbols used in the example is also included.

Download to the CPU

The hardware for the example is completely set up and the programming device is connected.

After the overall reset of the CPU (STOP operating mode), transfer the complete example to the user memory. Then use the mode selector switch to change from STOP to RUN.

Malfunction

If an error occurs during start-up, the cyclically processed module calls are not executed and the error display is activated.

After every block call in the cyclic program, if an error has occurred (BR = "0"), an error memory bit is set, which can only be displayed at the outputs Q 4.2/4.6 with the computer connection.

If there is an error message, the parameter output ERROR (Q 4.1/4.5) of the modules is also set. A more detailed description of the error is then stored in the STATUS parameter of the modules. If STATUS contains one of the error messages 16#1E0E or 16#1E0F, the exact error description is stored in the SFCERR or SFCSTATUS variable in the instance DB. You'll find detailed information in "Variable SFCERR or SFCSTATUS calling".

9.7 Activation, Start-Up Program and Cyclic Program

Activation, startup program

The startup program is located in OB 100.

At startup, only the logical base address of the CP 340 is entered in the MW BGADR (MW 21).

Cyclic program

The cyclic program is located in OB 1.

At the beginning of the program, the inputs used are first mapped onto bit memories, which are then used during the rest of the program. At the end of the program, the control bit memories set are transferred to the outputs and displayed.

In the example, the standard function blocks P_RCV (FB 2) and P_SEND (FB 3) work with functions FC 11 and FC 12, and with data blocks DB 2 and DB 3 as instance DBs, and DB 10 and DB 20 as send and receive DBs respectively.

The standard function block P_PRINT (FB 4) works with FC 13, with DB 4 as the instance DB, and with DB 30 to DB 35 as data DBs.

The standard functions V24_STAT (FC 5) and V24_SET (FC 6) work with FC 14.

Cyclic processing is organized in FC 10.

In the example, the standard function blocks are parameterized partly with constants and partly with symbolically addressed actual addresses.

Description of "point-to-point communication"

For "point-to-point communication", the input I 0.0 must be showing the signal "1" and the input I 0.1 must be showing the signal "0". You can use inputs I 1.0 and I 1.1 to select one of two SEND jobs. Job 1 sends the data of DB 10 from DBB 2 to DBB 11, while job 2 sends it from DBB 14 to DBB 113.

The data is sent to the communication partner when there is a signal change from "0" to "1" at input I 0.6 (SEND REQ).

For data to be received, the receive enable (EN_R parameter in block P_RCV), input I 0.7, must have the signal state "1".

If receipt of job 1 has been enabled (I 1.2 = signal "1"), this data is stored in DB 20 as of DBB 0. If job 2 has been enabled (I 1.3 = signal "1"), the data is stored in DB 20 as of DBB 50.

If the signal state is "1" at inputs I 0.2 and I 0.3, a RESET SEND or RESET RCV can be sent to the CP 340. If the signal state is statically "1", the sending or receipt of data has been deactivated.

Description of "reading and controlling the CP 340 inputs/outputs"

The "read and control RS 232C accompanying signals" functions can only be carried out with the ASCII driver. A prerequisite is that you have not set the "Automat. control of V24 signals" parameter on the "Transfer" tab.

To enable the CP 340 inputs/outputs to be read and controlled, input I 0.0 must be showing the "0" signal and input I 0.1 the "1" signal. The signal states SET_DTR and SET_RTS can be preselected by means of inputs I 1.6 and I 1.7. When the signal at I 0.7 changes from "0" to "1", this state is transferred to the CP by the V24_SET function.

The V24_STAT standard function is called cyclically. The state of the CP 340 inputs/outputs is displayed at output byte QB 5.

Description of "printing"

To enable printing, input I 0.0 must be showing the "0" signal and input I 0.1 the "1" signal. Inputs I 1.0, I 1.1, I 1.2, and I 1.3 allow you to select between four PRINT jobs. The PRINT jobs are located in data block DB 30. This points to the actual data (variables 1 to 4 and the format string) to be sent to the CP 340.

Job 1 sends the data of variables 1 to 4 and the format string. Data is read as follows:

- Variable 1 is read from DB 31 starting at data double word DBD 0
- Variable 2 is read from DB 32 starting at data word DBW 0
- Variable 3 is read from DB 33 starting at data word DBW 0
- Variable 4 is read from DB 34 starting at data word DBW 0
- Format string is read from DB 35 from DBB 2 to DBB 43

Job 2 sends the data of variables 1 to 4 and the format string. Data is read as follows:

- Variable 1 is read from DB 31 starting at data double word DBD 8
- Variable 2 is read from DB 32 starting at data word DBW 2
- Variable 3 is read from DB 33 starting at data word DBW 2
- Variable 4 is read from DB 34 starting at data word DBW 2
- Format string is read from DB 35 from DBB 2 to DBB 43

Job 3 sends the data of variables 1 to 4 and the format string. Data is read as follows:

- Variable 1 is read from DB 31 starting at data double word DBD 16
- Variable 2 is read from DB 32 starting at data word DBW 4
- Variable 3 is read from DB 33 starting at data word DBW 4
- Variable 4 is read from DB 34 starting at data word DBW 4
- Format string is read from DB 35 from DBB 2 to DBB 43

Job 4 sends the data of variable 1 and the format string. Data is read as follows:

- Variable 1 is read from DB 31 starting at data double word DBD 24
- Format string is read from DB 35 from DBB 68 to DBB 111

Data is sent to the communication partner on a signal change from "0" → "1" at input I 0.6 (PRINT REQ).

A RESET PRINT can be sent to the CP 340 when the signal at input I 0.2 is at "1". If the signal state is statically "1", the sending of data has been deactivated.

In the example, the standard function V24_STAT is also still being called cyclically. The state of the CP 340 inputs/outputs is displayed at output byte QB 5.

Example

Example of a printout with the example program for the CP 340:

SIMATIC S7/CP 340

Example for print mode

At 23:32:07.754 hours: Level reaches upper limit

At 23:32:16.816 hours: Level exceeds upper limit

At 23:32:21.681 hours: Level falls below upper limit

The level 200 l was reached at 23:32:26.988 hours

Copyright © Siemens AG 1996. All rights reserved

Technical Specifications

A.1 Technical Specifications of the CP 340

General technical specifications

The table below lists the general technical specifications for the CP 340.

For additional technical specifications of the SIMATIC S7-300, see Chapter 1 "General technical specifications" of the reference manual *S7-300 Automation Systems, Module Data*.

Table A- 1 General technical specifications

Technical specifications	
Power supply via the S7-300 backplane bus (5 V)	CP 340–RS 232C: max. 165 mA CP 340–20mA-TTY: max. 190 mA CP 340–RS 422/485: max. 165 mA
Operating temperature	0°C to +60°C
Storage temperature	-40°C to +70°C
Power loss	Typ. 0.85 W
Dimensions W x H x D	40 x 125 x 120 mm
Weight	0.3 kg
Display elements	LEDs for transmitting (TXD), receiving (RXD) and group faults (SF)
Supplied protocol drivers	ASCII driver 3964(R) driver Printer driver
Transmission rate with 3964(R) protocol	2400, 4800, 9600, 19200 bps (half-duplex)
Transmission rate with ASCII driver	2400, 4800, 9600 bps (full-duplex)
Transmission rate with printer driver	2400, 4800, 9600 bps
Character frames (10 or 11 bits)	No. of bits per character (7 or 8) No. of start/stop bits (1 or 2) Parity (none, even, odd, any)
Quantity of user data transported per program cycle	Sending: 14 bytes Receiving: 13 bytes
Memory requirements of the standard blocks (FBs)	Sending and receiving data approx. 2,700 bytes

A.1 Technical Specifications of the CP 340

Technical specifications for the RS 232C interface

The table below shows the technical specifications for the RS 232C interface of CP 340-RS 232C.

Table A- 2 Technical specifications for the RS 232C interface

RS 232C interface	
Interface	RS 232C, 9-pin sub D male connector
RS 232C signals	TXD, RXD, RTS, CTS, DTR, DSR, RI, DCD, GND all isolated from S7-internal power supply
Max. transmission distance	15 m

Technical specifications for the 20mA-TTY interface

The table below shows the technical specifications for the 20 mA-TTY interface of CP 340-20mA-TTY.

Table A- 3 Technical specifications for the 20mA-TTY interface

Technical specifications	
Interface	20 mA current loop TTY, 9-pin sub D socket
TTY signals	Two isolated 20 mA current sources, receive loop (RX) "-" and "+" send loop (TX) "-" and "+" all isolated from S7-internal power supply
Max. transmission distance	100 m active, 1000 m passive

Technical specifications for the X27 (RS 422/485) interface

The table below shows the technical specifications for the X27 (RS 422/485) interface of CP 340-RS 422/485.

Table A- 4 Technical specifications for the X27 (RS 422/485) interface

Technical specifications	
Interface	RS 422 or RS 485, 15-pin sub D socket
RS 422 signals	T (A)-, R (A)-, T (B)+, R (B)+, GND R/T (A)-, R/T (B)+, GND
RS 485 signals	all isolated from S7-internal power supply
Max. transmission distance	1200 m

Technical specifications for the 3964(R) procedure

The table below shows the technical specifications for the 3964(R) procedure.

Table A- 5 Technical specifications for the 3964(R) procedure

3964(R) procedure with default values	
Max. message frame length	1024 bytes
Parameter	The following can be configured: <ul style="list-style-type: none"> • With/without block check character • Priority: low/high • Transmission rate: 2400, 4800, 9600, 19200 bps • Character frame: 10 or 11 bits • Delete CP receive buffer on startup: Yes/no

3964(R) procedure with parameter assignment	
Max. message frame length	1024 bytes
Parameter	The following can be configured: <ul style="list-style-type: none"> • With/without block check character • Priority: low/high • Transmission rate: 2400, 4800, 9600, 19200 bps • Character frame: 10 or 11 bits • Character delay time: 20 ms to 65530 ms in 10 ms matrix • Acknowledgment delay time: 10 ms to 65530 ms in 10 ms matrix • Number of connection attempts: 1 to 255 • Number of transmission attempts: 1 to 255 • Delete CP receive buffer on startup: Yes/no

Technical specifications for the ASCII driver

The table below shows the technical specifications for the ASCII driver.

Table A- 6 Technical specifications for the ASCII driver

ASCII driver	
Max. message frame length	1024 bytes
Parameter	The following can be configured: <ul style="list-style-type: none"> • Transmission rate: 2400, 4800, 9600 bps • Character frame: 10 or 11 bits • Character delay time: 4 ms to 65,535 ms in 1 ms increments • Flow control: none, XON/XOFF, RTS/CTS; automat. control of V.24 signals • XON/XOFF characters (with "flow control" = "XON/XOFF" only) • Wait for XON after XOFF (wait time for CTS = ON): 20 ms to 65530 ms in 10-ms increments • Time to RTS OFF: 20 ms to 65530 ms in 10-ms increments (only for "automat. control of V.24 signals") • Data output wait time: 20 ms to 65530 ms in 10-ms increments (only for "automat. control of V.24 signals") • Delete CP receive buffer on startup: Yes/no • Number of message frames to be buffered: 1 to 250 • Prevent overwriting: yes/no (only when "buffered receive message frames" = "1") • Indicator for end of receive message frame: <ul style="list-style-type: none"> • After character delay time expires • On receipt of end-of-text character(s) • On receipt of a fixed number of characters
ASCII driver with end-of-message frame detection at end of character delay time	
Parameter	No other parameter assignments need to be made. The end of a message frame is detected when the programmed character delay time elapses.
ASCII driver with end-of-message frame detection using configurable end characters	
Parameter	The following can be assigned: <ul style="list-style-type: none"> • Number of end-of-text characters: 1 or 2 • Hex code for first/second end-of-text character
ASCII driver with end-of-message frame detection using configured message frame length	
Parameter	The following can be assigned: <ul style="list-style-type: none"> • Message frame length: 1 to 1024 bytes

Technical specifications for the printer driver

The table below shows the technical specifications for the printer driver.

Table A-7 Technical specifications for the printer driver

Printer driver	
Length of the text SDB	8 KB
Parameter	<p>The following can be configured:</p> <ul style="list-style-type: none"> • Transmission rate: 2400, 4800, 9600 bps • Character frame: 10 or 11 bits • Flow control: None, XON/XOFF, RTS/CTS • XON/XOFF characters (with "flow control" = "XON/XOFF" only) • Wait for XON after XOFF (wait time for CTS = ON): 20 ms to 65530 ms in 10-ms increments • Message text: max. 150 characters (max. 250 characters when variables are displayed) • Left margin (number of blanks): 0 to 255 • Lines per page (with header and footer): 1 to 255 or 0 (continuous printing) • Separators/line end: CR, LF, CR LF, LF CR • Character set: IBM Proprinter or user-defined • Printer emulation for bold, condensed, expanded, and italic type and underlining: HP Deskjet, HP Laserjet, IBM Proprinter or user-defined • 1/2 header and/or footer

A.2 Recycling and Disposal

Recycling and disposal

The SIMATIC S7–300 is an environment-friendly product. Special features of a SIMATIC S7-300, for example:

- Plastic housing, with halogen-free flame protection, highly resistant to fire
- Laser inscriptions (i.e. no labels)
- Plastics identification in accordance with DIN 54840
- Fewer materials used due to size reduction; fewer parts due to integration in ASICs

The SIMATIC S7–300 is recyclable due to its low contaminant content.

Please contact a certified waste disposal company for eco-friendly recycling and to dispose of your old devices.

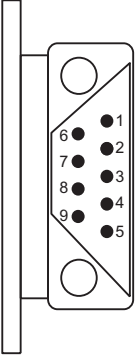
Connecting Cables

B.1 RS 232C interface of the CP 340–RS 232C

Pin assignment

The table below shows the pin assignment for the 9-pin sub-D male connector in the front panel of the CP 340-RS 232C.

Table B- 1 Pin assignment for the 9-pin sub-D male connector of the integrated interface of the CP 340-RS 232C

Male Connector on CP 340-RS 232C*	Pin	Designation	Input/Output	Meaning
	1	DCD Received Detector	Input	Receiver signal level
	2	RXD Received Data	Input	Received data
	3	TXD Transmitted Data	Output	Transmitted data
	4	DTR Data Terminal Ready	Output	Communication terminals ready
	5	GND Ground	-	Signal ground (GND _{int})
	6	DSR Data Set Ready	Input	Ready for operation
	7	RTS Request To Send	Output	Activate transmitter
	8	CTS Clear To Send	Input	Ready for sending
	9	RI Ring Indicator	Input	Receiving call

* View from the front

Connecting cables

If you make your own connecting cables you must remember that unconnected inputs at the communication partner may have to be connected to open-circuit potential.

Please note that you must only use shielded connector casings. A large surface area of both sides of the cable shield must be in contact with the connector casing. You are advised to use Siemens V42 254 shielded connector casings.

CAUTION

Never connect the cable shield with the GND, as this could destroy the submodules.

GND must always be connected on both sides (pin 5), otherwise the submodules could again be destroyed.

In the following

On the following pages you will find examples of connecting cables for a point-to-point connection between the CP 340-RS 232C and S7 modules or SIMATIC S5.

RS 232C connecting cables (S7 (CP 340) - S7 (CP 340/CP 441))

The figure below illustrates the connecting cable for a point-to-point connection between a CP 340 and a CP 340/CP 441.

For the connecting cables you require the following female connectors

- At the CP 340 end: 9-pin D-sub socket contact with screw interlock
- At communication partner: 9-pin D-sub socket contact with screw interlock

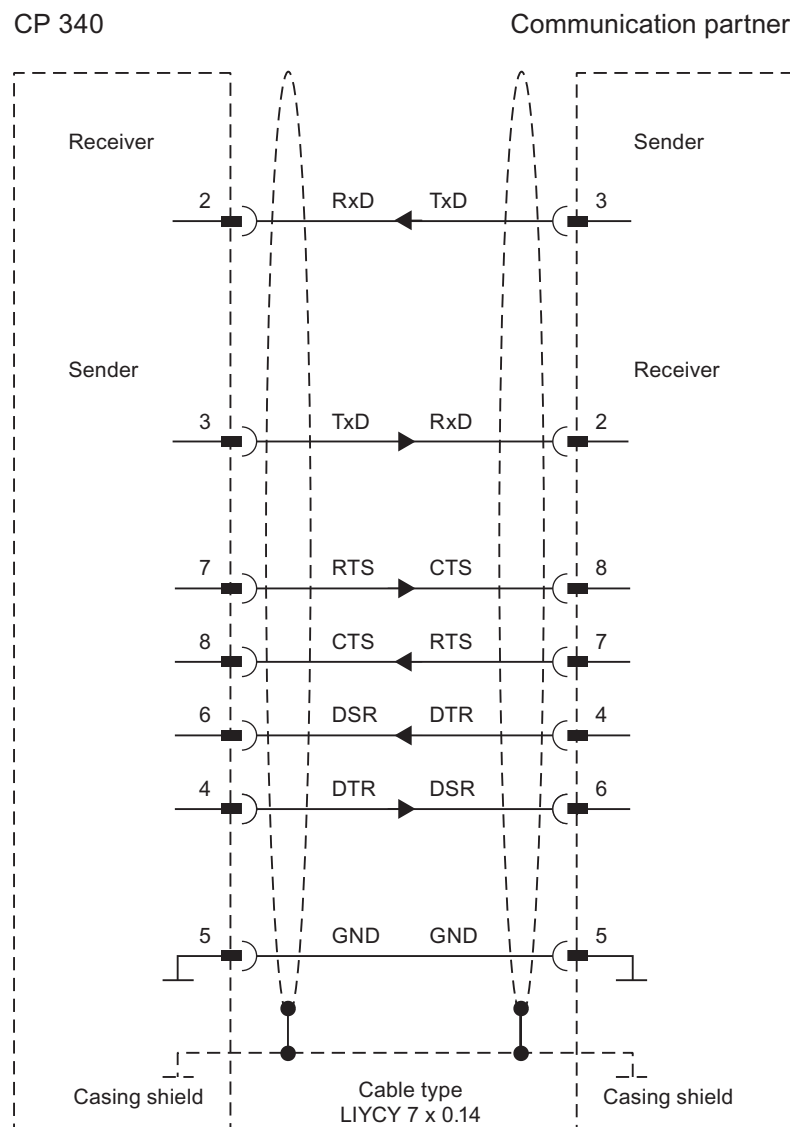


Figure B-1 RS 232C connecting cable CP 340 - CP 340/CP 441

RS 232C connecting cables (S7 (CP 340) - CP 544, CP 524, CPU 928B, CPU 945, CPU 948))

The figure below illustrates the connecting cable for a point-to-point connection between a CP 340 and a CP 544, CP 524, CPU 928B, CPU 945, CPU 948.

For the connecting cables you will require the following female/male connectors

- At the CP 340 end: 9-pin D-sub socket contact with screw interlock
- At communication partner: 25-pin sub D male connector with screw-locking

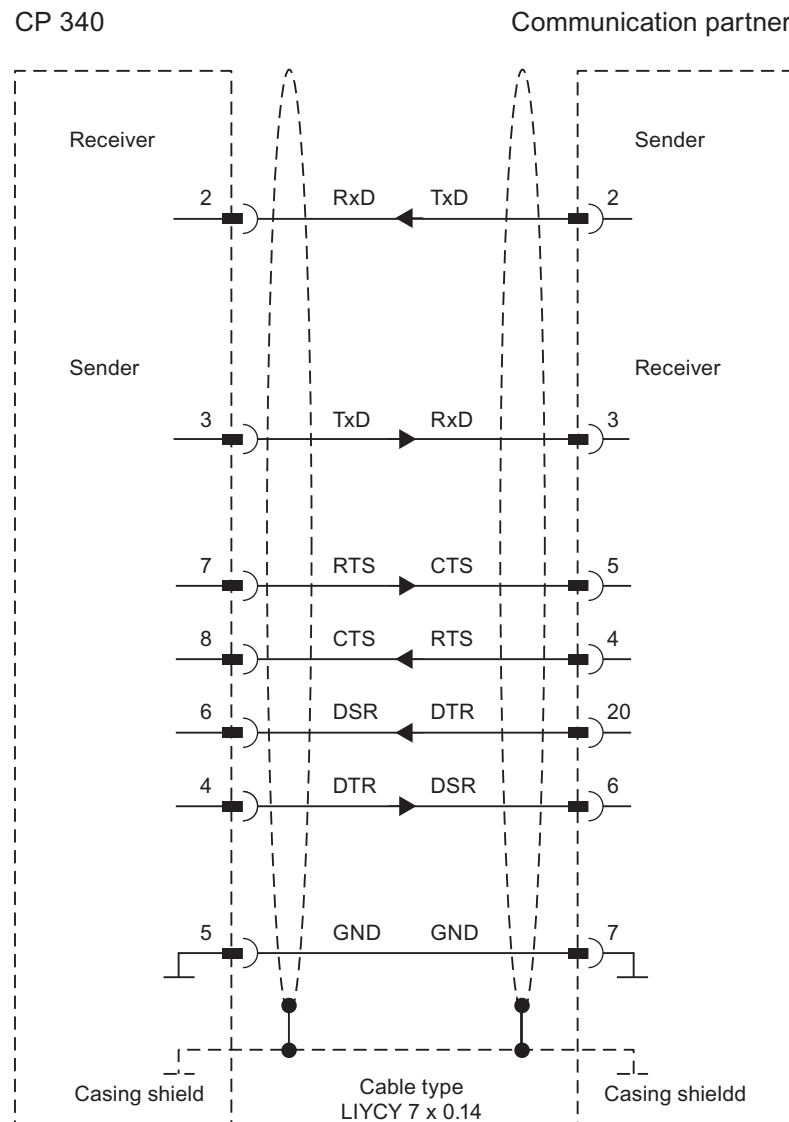


Figure B-2 RS 232C connecting cable CP 340 - CP 544, CP 524, CPU 928B, CPU 945, CPU 948

RS 232C connecting cables (S7 (CP 340) - CP 521 SI/CP 521 BASIC))

The figure below illustrates the connecting cable for a point-to-point connection between a CP 340 and a CP 521 SI/CP 521 BASIC.

For the connecting cables you will require the following female/male connectors

- At the CP 340 end: 9-pin D-sub socket contact with screw interlock
- At communication partner: 25-pin sub D male connector with screw-locking

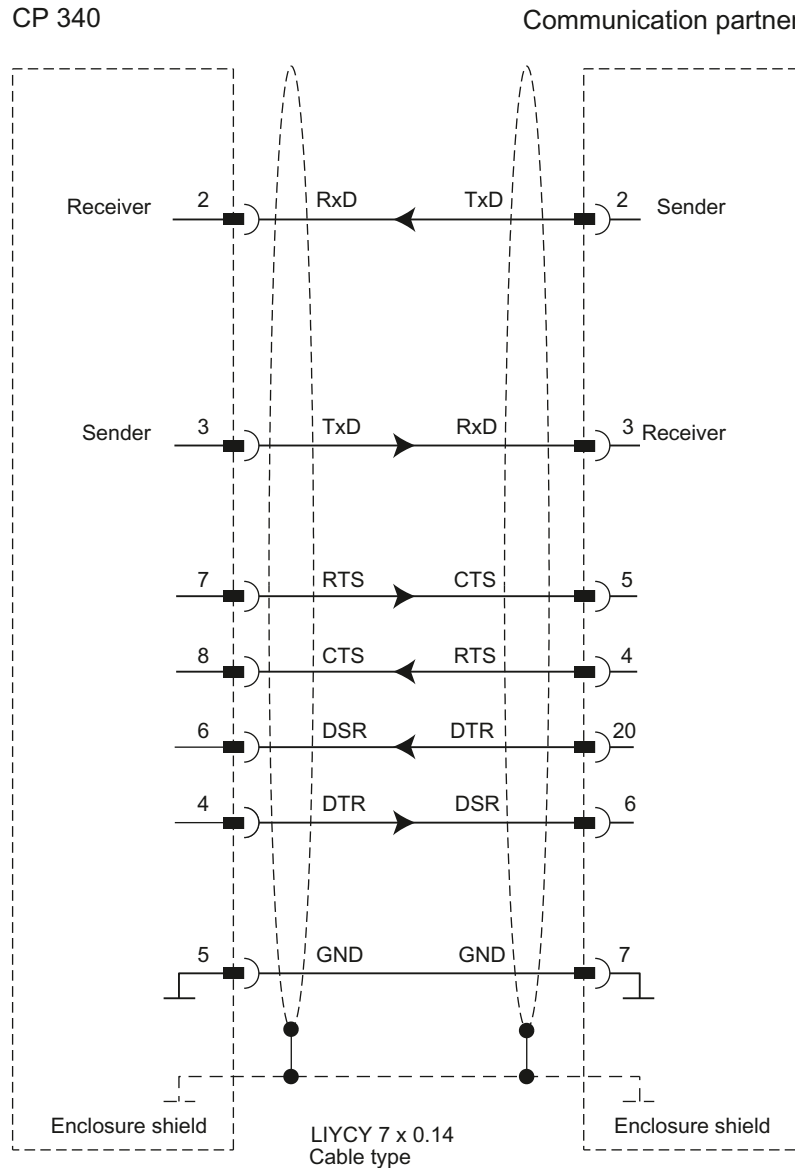


Figure B-3 RS 232C Connecting Cable CP 340 - CP 521 SI/CP 521 BASIC

RS 232C connecting cables (S7 (CP 340) - CP 523)

The figure below illustrates the connecting cable for a point-to-point connection between a CP 340 and a CP 523.

For the connecting cables you will require the following female/male connectors

- At the CP 340 end: 9-pin D-sub socket contact with screw interlock
- At communication partner: 25-pin sub D male connector with screw-locking

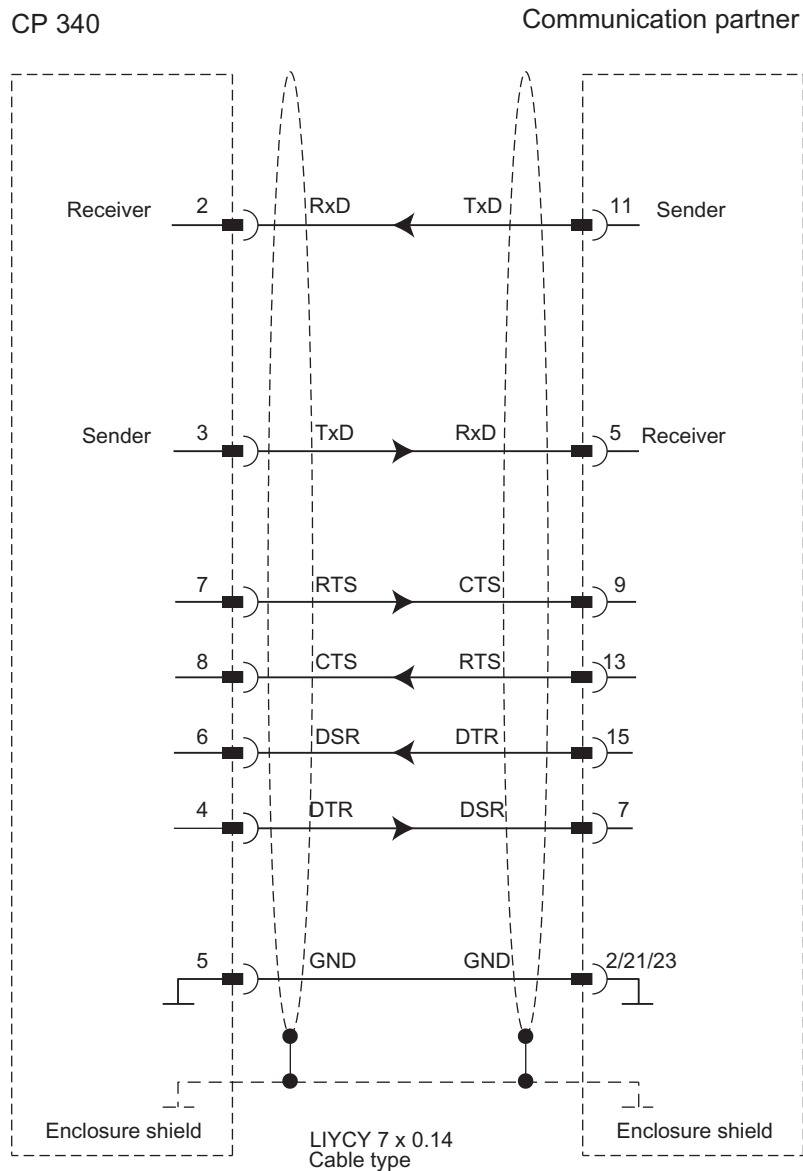


Figure B-4 RS 232C Connecting Cable CP 340 - CP 523

RS 232C Connecting Cable (S7 (CP 340) - DR 2xx)

The figure below illustrates the connecting cable for a point-to-point connection between a CP 340 and a printer DR 2xx with serial interface.

For the connecting cable you will require the following female/male connectors

- At the CP 340 end: 9-pin sub D socket
- With DR 2xx: 25-pin sub-D male connector

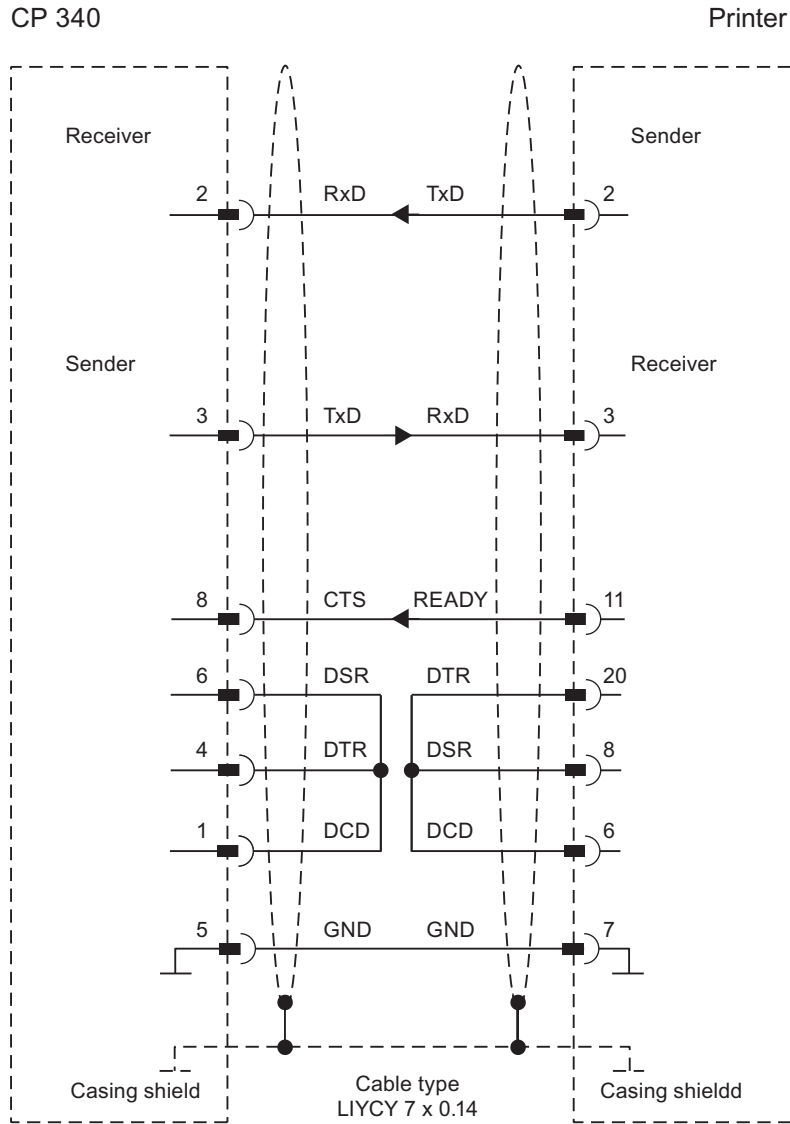


Figure B-5 RS 232C Connecting Cable CP 340-DR2xx

RS 232C Connecting Cable (S7 (CP 340) - IBM-Proprinter (PT 88))

The figure below illustrates the connecting cable for a point-to-point connection between a CP 340 and an IBM-Proprinter with serial interface (PT 88 or IBM compatible printer).

For the connecting cable you will require the following female/male connectors

- At the CP 340 end: 9-pin sub D socket
- With IBM Proprinter: 25-pin sub-D male connector

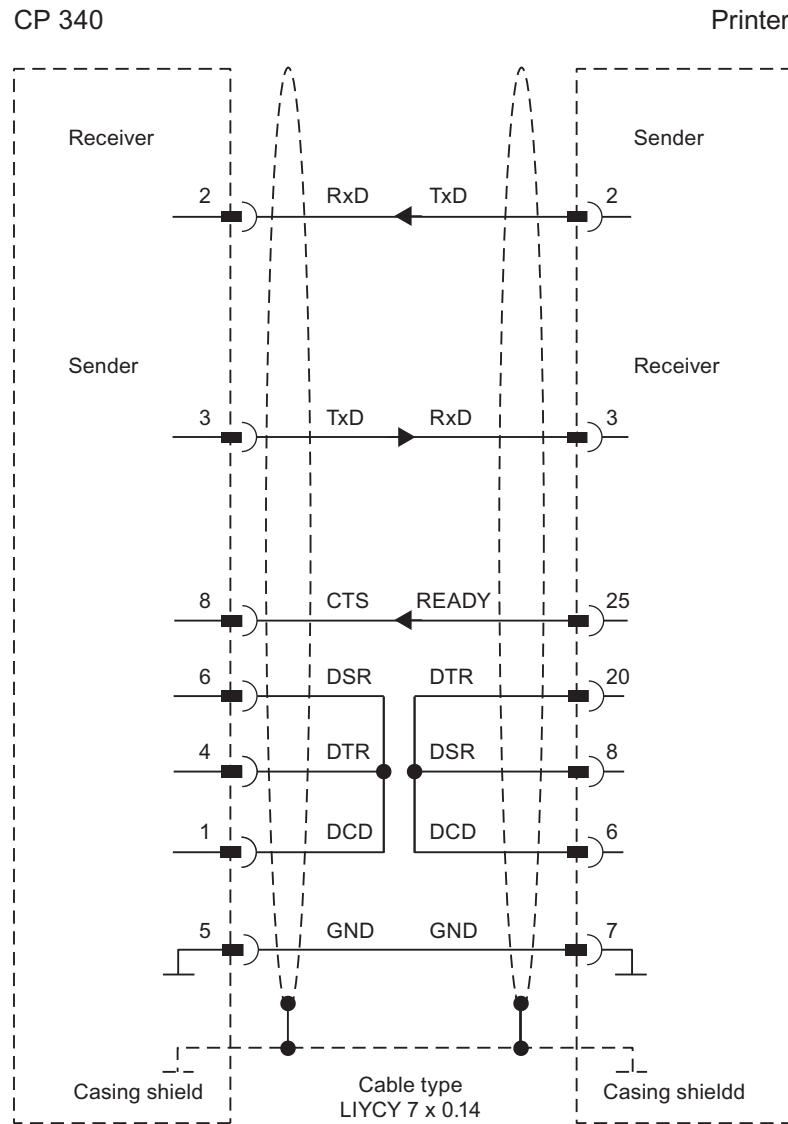


Figure B-6 RS 232C connecting cable CP 340 - IBM Proprinter

RS 232C connecting cable (S7 (CP 340) - laser printer)

The figure below illustrates the connecting cable for a point-to-point connection between a CP 340 and a laser printer with a serial interface (PT 10 or Laserjet series II).

For the connecting cable you will require the following female/male connectors

- At the CP 340 end: 9-pin sub D socket
- With IBM Proprinter: 25-pin sub-D male connector

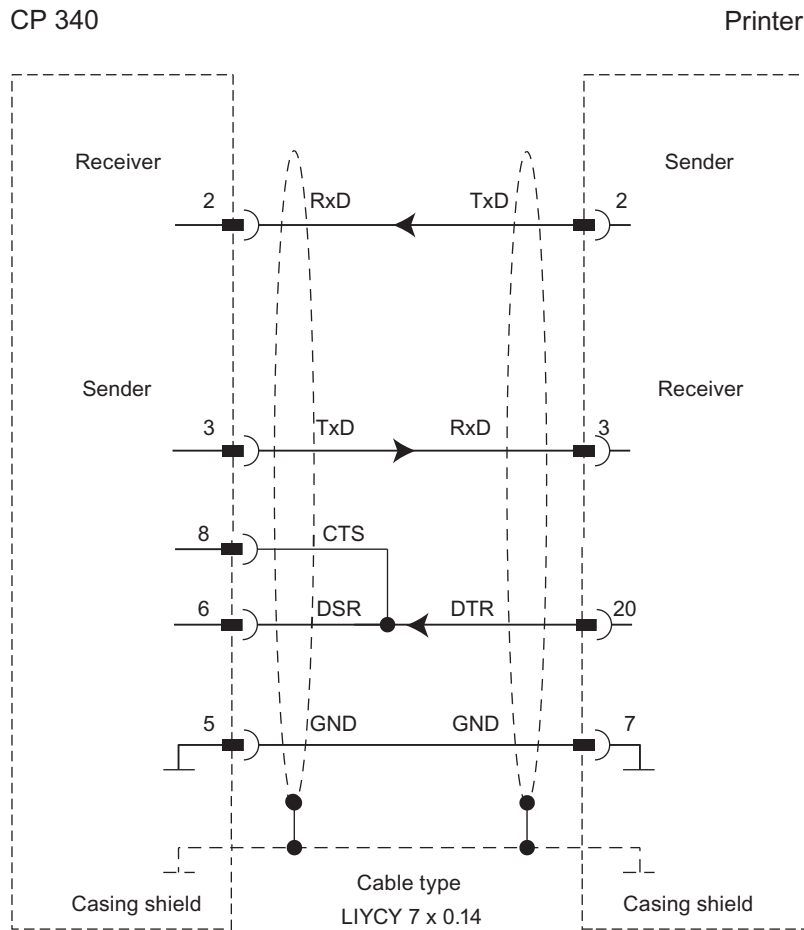


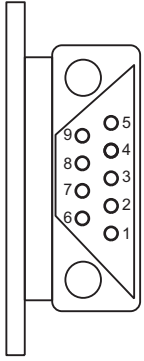
Figure B-7 RS 232C connecting cable CP 340 - laser printer

B.2 20 mA TTY interface on the CP 340-20mA-TTY

Pin assignment

The table below shows the pin assignment for the 9-pin sub D socket in the front panel of the CP 340-20mA-TTY.

Table B- 2 Pin assignment for the 9-pin sub D socket of the integrated interface of the CP 340-20mA-TTY

Socket to CP 340-20mA-TTY*	Pin	Designation	Input/Output	Meaning
	1	TxD -	Output	Transmitted data
	2	20 mA -	Input	5 V ground
	3	20 mA + (I ₁)	Output	20 mA current generator 1
	4	20 mA + (I ₂)	Output	20 mA current generator 2
	5	RxD +	Input	Received data +
	6	-		
	7	-		
	8	RxD -	Output	Received data -
	9	TxD +	Input	Transmitted data +

* View from the front

Block diagram

The figure below shows a block diagram for a 20 mA TTY interface IF963-TTY.

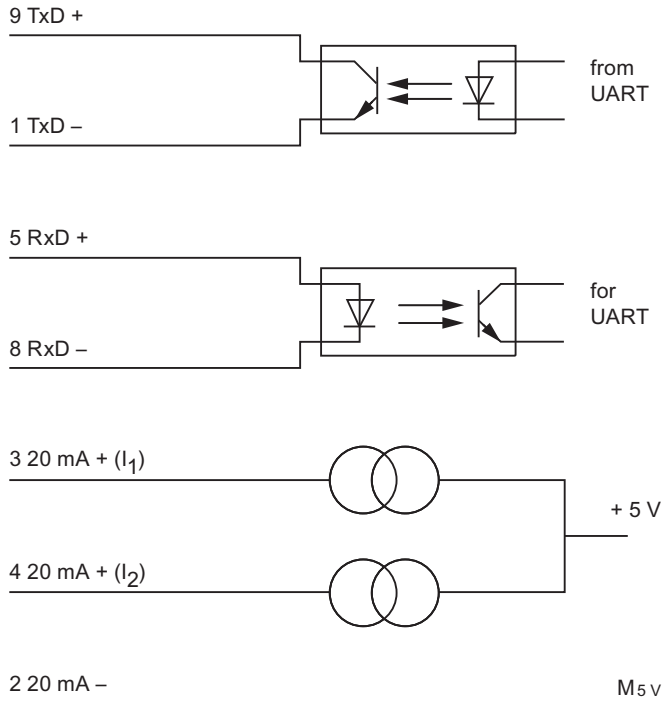



Figure B-8 Block diagram for the 20 mA TTY interface IF963-TTY

Connecting cables

If you make your own connecting cables you must remember that unconnected inputs at the communication partner may have to be connected to open-circuit potential.

Please note that you must only use shielded connector casings. A large surface area of both sides of the cable shield must be in contact with the connector casing. You are advised to use Siemens V42 254 shielded connector casings.

 CAUTION
Never connect the cable shield with the GND, as this could destroy the interface modules.

In the following

On the following pages you will find examples of connecting cables for a point-to-point connection between the CP 340-20mA-TTY and S7 modules or SIMATIC S5.

20 mA-TTY connecting cable (S7 (CP 340) - S7 (CP 340/CP 441))

The figure below illustrates the connecting cable for a point-to-point connection between a CP 340 and a CP 340/CP 441.

For the connecting cables you will require the following male connectors:

- At the CP 340 end: 9-pin sub D male connector with screw-locking
- At communication partner: 9-pin sub D male connector with screw-locking

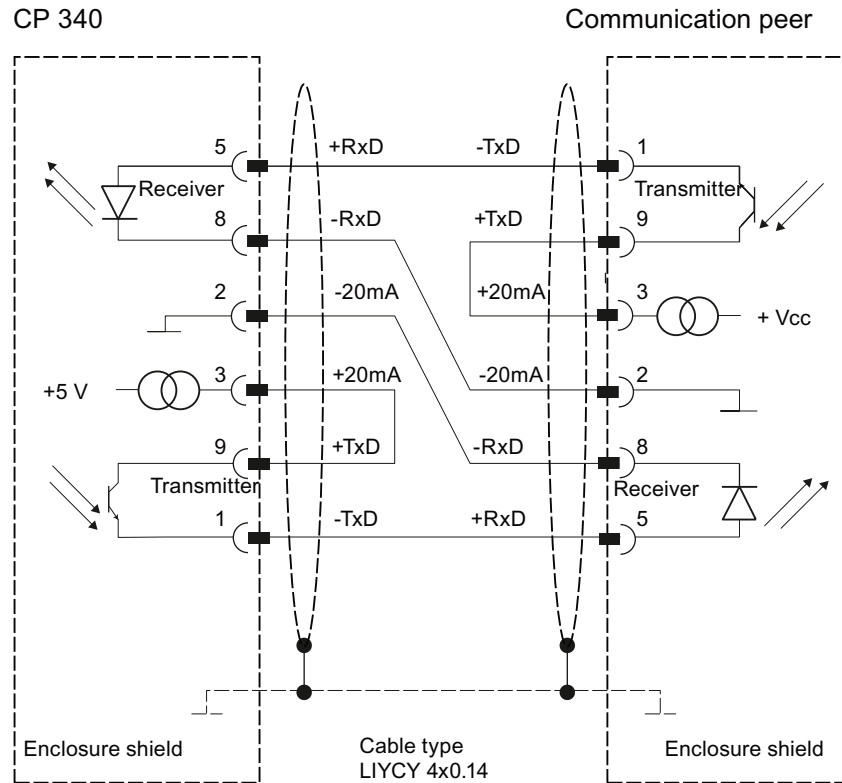


Figure B-9 20mA-TTY connecting cable CP 340-CP 340/CP 441

20mA-TTY connecting cable (S7 (CP 340) - CP 544, CP 524, CPU 928B, CPU 945, CPU 948)

The figure below illustrates the connecting cable for a point-to-point connection between a CP 340 and a CP 544, CP 524, CPU 928B, CPU 945, CPU 948.

For the connecting cables you will require the following male connectors:

- At the CP 340 end: 9-pin sub D male connector with screw-locking
- At communication partner: 25-pin sub D male connector with shift latch

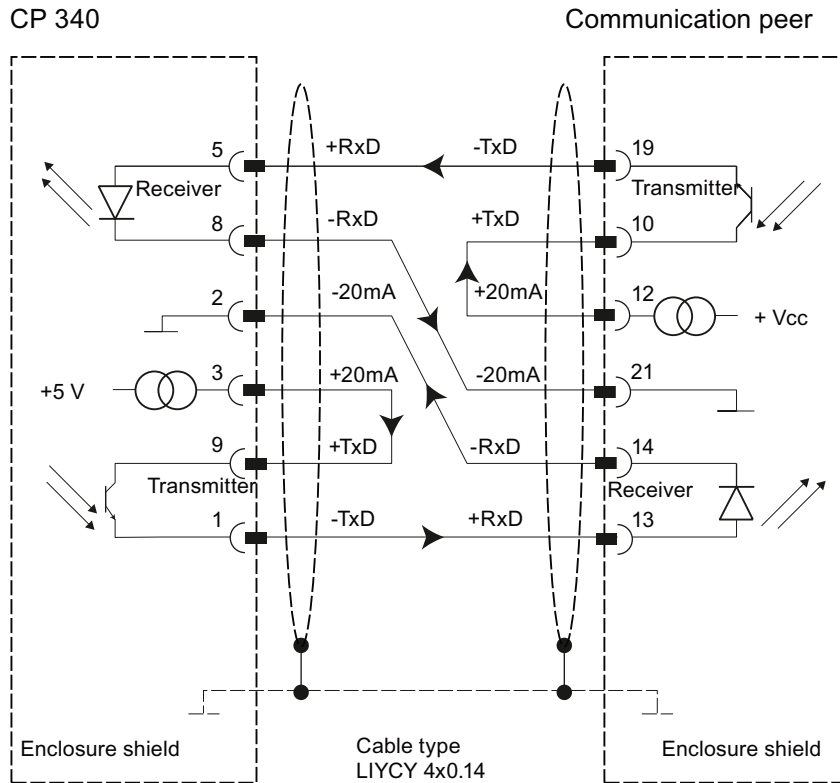


Figure B-10 20mA-TTY connecting cable CP 340 - CP 544, CP 524, CPU 928B, CPU 945, CPU 948

20mA-TTY connecting cable (S7 (CP 340) - CP 523)

The figure below illustrates the connecting cable for a point-to-point connection between a CP 340 and a CP 523.

For the connecting cables you will require the following male connectors:

- At the CP 340 end: 9-pin sub D male connector with screw-locking
- At communication partner: 25-pin sub D male connector with screw-locking

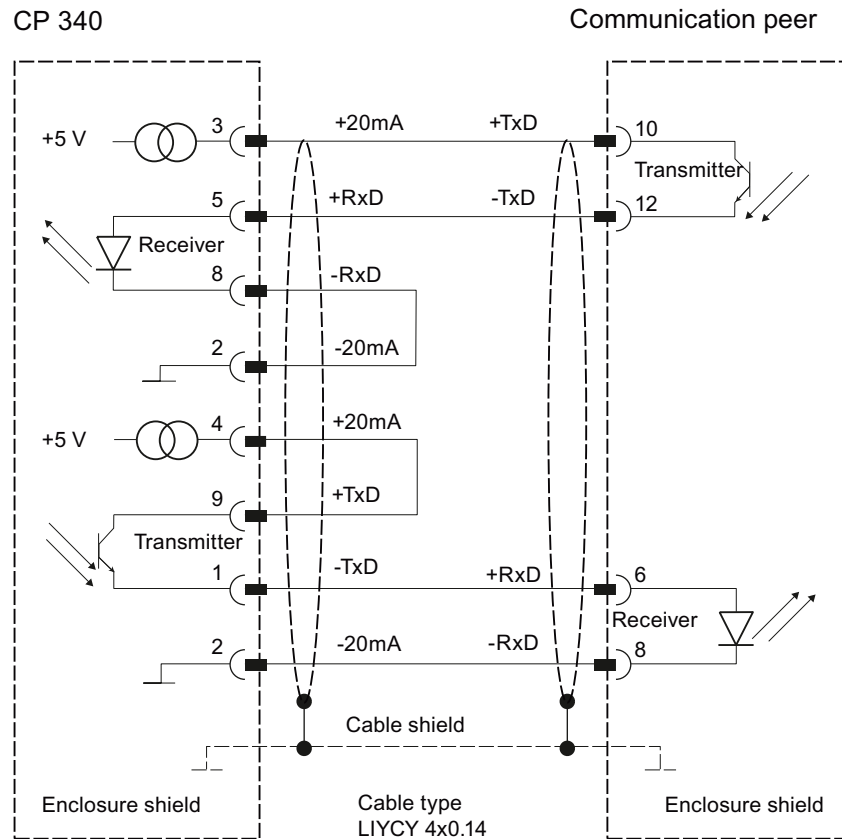


Figure B-11 20mA-TTY connecting cable CP 340-CP 523

20mA-TTY connecting cable (S7 (CP 340) - CP 521 SI/CP 521 BASIC/ IBM-compatible printer)

The figure below illustrates the connecting cable for a point-to-point connection between a CP 340 and a CP 521 SI/CP 521 BASIC.

For the connecting cables you will require the following male connectors:

- At the CP 340 end: 9-pin sub D male connector with screw-locking
- At communication partner: 25-pin sub D male connector with screw-locking

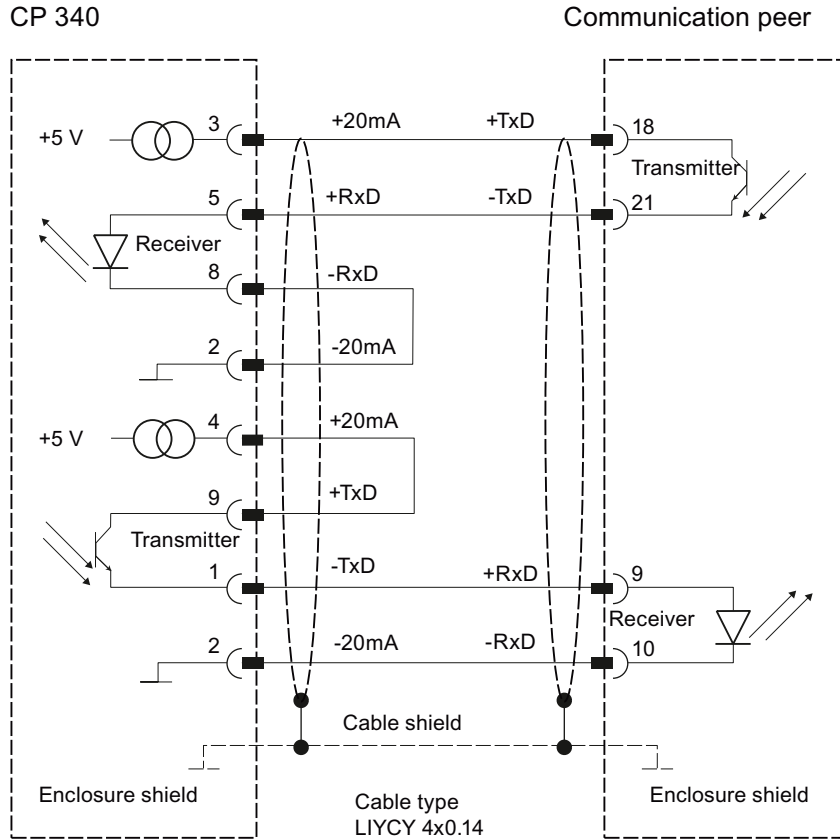


Figure B-12 20mA TTY connecting cable CP 340-CP 521SI, CP 521BASIC

20mA-TTY connecting cable (S7 (CP 340) - CPU 944/AG 95)

The figure below illustrates the connecting cable for a point-to-point connection between a CP 340 and a CPU 944/AG 95.

For the connecting cables you will require the following male connectors:

- At the CP 340 end: 9-pin sub D male connector with screw-locking
- At communication partner: 15-pin sub D male connector with shift latch

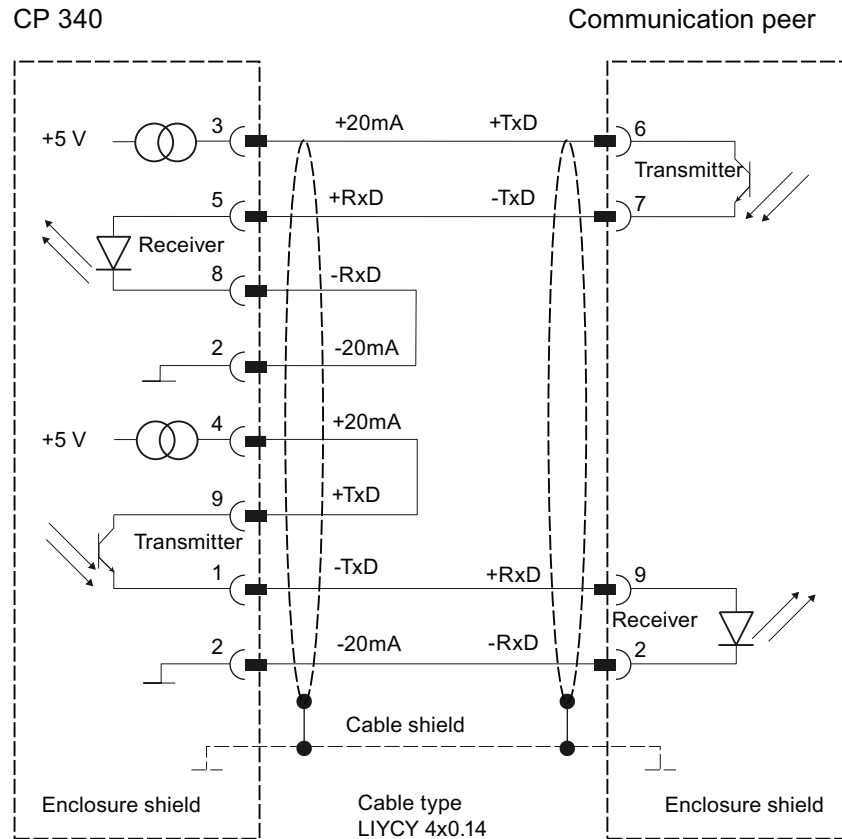


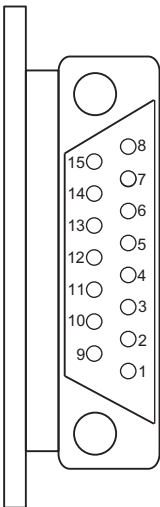
Figure B-13 20mA-TTY connecting cable CP 340-CPU 944/AG 95

B.3 X27 (RS 422/485) Interface of the CP 340–RS 422/485

Pin assignment

The table below shows the pin assignment for the 15-pin sub D socket in the front panel of the CP 340-RS 422/485.

Table B- 3 Pin assignment for the 15-pin sub D socket of the integrated interface of the CP 340-RS 422/485

Socket to CP 340–RS 422/485*	Pin	Designation	Input/Output	Meaning
	1	-	-	-
	2	T (A) -	Output	Transmitted data (four-wire mode)
	3	-	-	-
	4	R (A)/T (A) -	Input Input/output	Received data (four-wire mode) Received/transmitted data (two-wire mode)
	5	-	-	-
	6	-	-	-
	7	-	-	-
	8	GND	-	Functional ground (isolated)
	9	T (B) +	Output	Transmitted data (four-wire mode)
	10	-	-	-
	11	R (B)/T (B) +	Input Input/output	Received data (four-wire mode) Received/transmitted data (two-wire mode)
	12	-	-	-
	13	-	-	-
	14	-	-	-
	15	-	-	-

* View from the front

Connecting cables

If you make your own connecting cables you must remember that unconnected inputs at the communication partner may have to be connected to open-circuit potential.

Please note that you must only use shielded connector casings. A large surface area of both sides of the cable shield must be in contact with the connector casing. You are advised to use Siemens V42 254 shielded connector casings.

CAUTION

Never connect the cable shield with the GND, as this could destroy the interface modules. GND must always be connected on both sides (pin 8), otherwise the interface modules could again be destroyed.

In the following

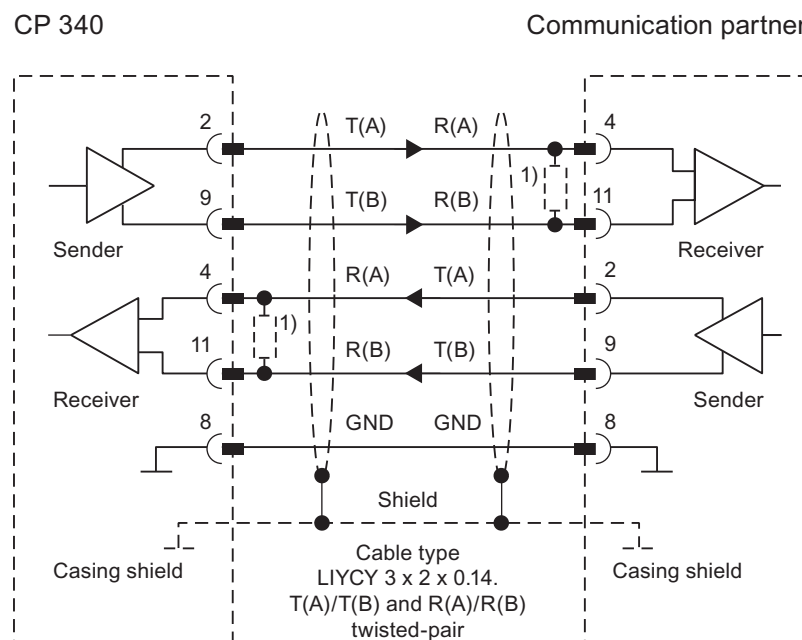
On the following pages you will find examples of connecting cables for a point-to-point connection between the CP 340-RS 422/485 and S7 modules or SIMATIC S5.

X 27 connecting cables (S7 (CP 340) - CP 340/CP 441)

The figure below illustrates the connecting cable for a point-to-point connection between a CP 340 and a CP 340/CP 441, for RS 422 mode.

For the connecting cables you will require the following male connectors:

- At the CP 340 end: 15-pin sub D male connector with screw-locking
- At communication partner: 15-pin sub D male connector with screw-locking



1) In the case of cables longer than 50 m you must solder in a terminating resistor of approx. 330 Ω on the receiver for trouble-free data traffic.

Figure B-14 X27 Connecting Cable CP 340 - CP 441/CP 340 RS 422 Operation (Four-Wire Mode)

Note

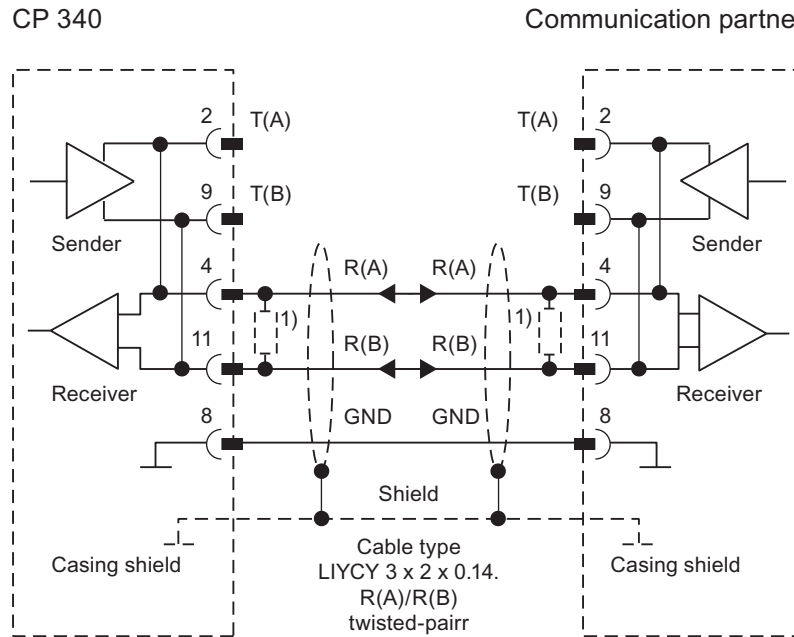
The maximum length of this cable type at 19.2 Kbaud is 1,200 m.

X 27 connecting cables (S7 (CP 340) - CP 340/CP 441)

The figure below illustrates the connecting cable for a point-to-point connection between a CP 340 and a CP 340/CP 441, for RS 485 mode.

For the connecting cables you will require the following male connectors:

- At the CP 340 end: 15-pin sub D male connector with screw-locking
- At communication partner: 15-pin sub D male connector with screw-locking



1) In the case of cables longer than 50 m you must solder in a terminating resistor of approx. 330 Ω on the receiver for trouble-free data traffic.

Figure B-15 X27 Connecting Cable CP 340 - CP 441/CP 340 RS 485 Operation (Two-Wire Mode)

Note

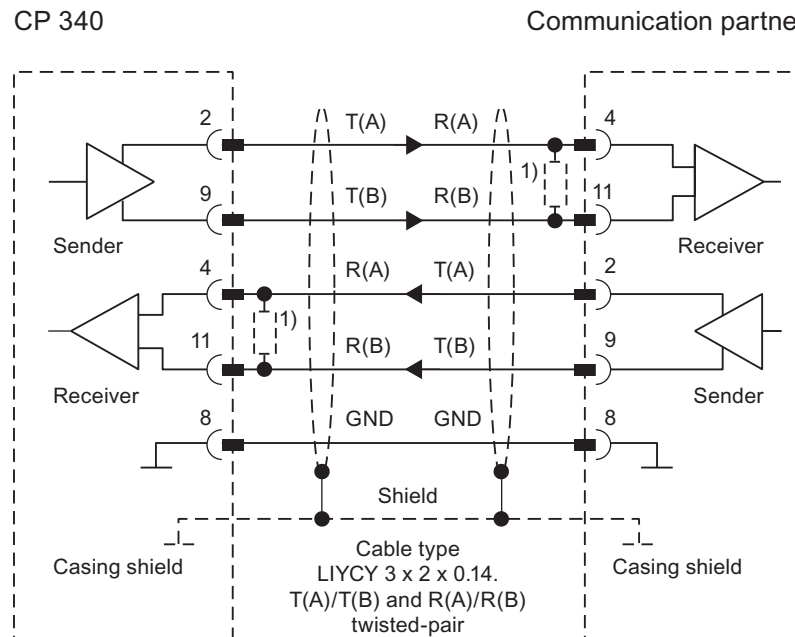
The previous figure shows the wiring if you want to make the connecting cable yourself. In both RS 485 mode (two wire) and RS 422 mode (four wire) you can also use Siemens connecting cables. The figure below illustrates the internal wiring in the connecting cable. The jumpers 2-4 and 9-11 are "installed" by parameter assignment of the CP.

Connecting cable X 27 (S7 (CP 340) - CP 544, CP 524, CPU 928B, CPU 945, CPU 948)

The figure below illustrates the connecting cable for a point-to-point connection between a CP 340 and a CP 544, CP 524, CPU 928B, CPU 945, CPU 948, for RS 422 mode.

For the connecting cables you will require the following male connectors:

- At the CP 340 end: 15-pin sub D male connector with screw-locking
- At communication partner: 15-pin sub D male connector with shift latch



1) In the case of cables longer than 50 m you must solder in a terminating resistor of approx. 330 Ω on the receiver for trouble-free data traffic.

Figure B-16 X27 Connecting Cable CP 340 - CP 544, CP 524, CPU 928B, CPU 945, CPU 948 for RS 422 mode

Accessories and Order Numbers

Module variants

The table below contains the different variants of the CP 340.

Table C- 1 Order numbers of the module variants of the CP 340

Product	Order number
CP 340-RS 232C	6ES7 340-1AH02-0AE0
CP 340-20mA-TTY	6ES7 340-1BH02-0AE0
CP 340-RS 422/485	6ES7 340-1CH02-0AE0

Connecting cables

Connecting cables are available in the commonly preferred lengths: 5 m, 10 m and 50 m.

Table C- 2 Order numbers of the connecting cables

Connecting cable for	Variant	Order number
RS 232C interface	• RS 232C, 5 m	6ES7902-1AB00-0AA0
	• RS 232C, 10 m	6ES7902-1AC00-0AA0
	• RS 232C, 15 m	6ES7902-1AD00-0AA0
20 mA TTY interface	• 20 mA TTY, 5 m	6ES7902-2AB00-0AA0
	• 20 mA TTY, 10 m	6ES7902-2AC00-0AA0
	• 20 mA TTY, 50 m	6ES7902-2AG00-0AA0
X27 (RS 422/485) interface	• X27 (RS 422/485), 5 m	6ES7902-3AB00-0AA0
	• X27 (RS 422/485), 10 m	6ES7902-3AC00-0AA0
	• X27 (RS 422/485), 50 m	6ES7902-3AG00-0AA0

Literature on SIMATIC S7

References for SIMATIC S7

On the following pages, you will find a comprehensive overview of:

- Manuals that you will require for configuring and programming the S7-300
- Manuals which describe the components of a PROFIBUS DP or PROFINET network,
- Brochures which provide you with an overview of the SIMATIC S7 or **STEP 7** and
- Technical Books with which you can find out about the S7-300

Manuals for configuring and starting up

Extensive user documentation is available to assist you in configuring and programming the S7-300. You can select and use this documentation as required. The table also provides you with an overview of the documentation for **STEP 7**.

Table D- 1 Manuals for configuring and programming the S7-300

Title	Content
Getting started and exercises with STEP 7 (http://support.automation.siemens.com/W/view/en/45531551)	This manual will help you to get started very quickly with your S7-300/400 by introducing you to the theories behind its structure and programming. It is ideal for first-time users of an automation system or an S7.
Programming with STEP 7 (http://support.automation.siemens.com/W/view/en/18652056) Manual	This manual explains the basic principles behind the structure of the operating system and a user program on an S7 CPU. It is intended to give first-time users of an S7-300/400 an overview of the programming methodology, thereby providing a basis on which they can build their user programs.
Configuring Hardware and Communication Connections with STEP 7 (http://support.automation.siemens.com/W/view/en/18652631) Manual	This STEP 7 manual explains the principles behind the use and functions of the STEP 7 automation software. It will provide both first-time users of STEP 7 and those with knowledge of STEP 5 with an overview of the procedures for configuring, programming and starting up an S7-300/400. When working in the software, users can access the relevant sections of the online help where they will find specific support for its application.
Instruction list (IL) for S7-300/400 (http://support.automation.siemens.com/W/view/en/18653496) Reference Manual	The manuals for the STL, LAD and SCL language packages feature both instructions for users and language descriptions. Although you only need one of the languages to program an S7-300/400, you can switch between languages within a project if required. If you are using the languages for the

Title	Content
Ladder Diagram (LAD) for S7-300/400 http://support.automation.siemens.com/W/view/en/18654395 Reference Manual	
Function block diagram (FBD) for S7-300/400 http://support.automation.siemens.com/W/view/en/18652644 Reference Manual	
S7-SCL for S7-300/400 http://support.automation.siemens.com/W/view/en/5581793 ¹ Reference Manual	
S7–GRAPH for S7-300/400 Programming Sequential Control Systems http://support.automation.siemens.com/W/view/en/1137630 ¹ Manual	The GRAPH, HiGraph and CFC languages support additional options for implementing sequential controls, state controls of graphic interconnections of blocks. The manuals feature both instructions for users and language descriptions. If you are using the language for the first time, we recommend that you refer to the manual in order to familiarize yourself with the programming methodology. When working with the software you can also use the online help (with the exception of HiGraph) to access detailed information about using editors and compilers.
Programming S7–HiGraph State Graphs http://support.automation.siemens.com/W/view/en/1137299 ¹ Manual	
CFC for SIMATIC S7 http://support.automation.siemens.com/W/view/en/15236182 ¹ Manual	
System and Standard Functions for S7-300/400 http://support.automation.siemens.com/W/view/en/1214574 Reference Manual	The S7 CPU operating systems feature integrated systems and standard functions which you can use during programming in any of the supported languages (STL, LAD and SCL). The manual provides an overview of the functions supported by S7 and, for reference purposes, detailed interface descriptions for use in your user program.
¹ Option packages for S7–300/400 system software	

Manuals for PROFIBUS DP

In order to configure and start up a PROFIBUS DP network, you will need descriptions of the other nodes and network components integrated in the network. These can be found in the manuals listed in the table.

Table D- 2 Manuals for PROFIBUS DP

Manual
ET 200M distributed I/O device
ET 200S distributed I/O device
ET 200 handheld programming unit
PROFIBUS Network Manual
SINEC L2 DP interface on the S5-95U PLC

Brochures

The table lists brochures which will provide you with an overview of the S7-300, STEP 7 and distributed I/Os in S7.

Table D- 3 Brochures for SIMATIC S7, STEP 7 and PROFIBUS DP

Brochures
S7-300 automation system - Design and application
From S5 to S7, Converter Manual
Programming S7-300/400 automation systems
S7 automation systems - Distribution with PROFIBUS DP and AS-I

Glossary

Address

The address indicates the physical storage space and enables direct access to the operand that is stored under this address.

Block

Blocks are parts of the user program that are separated *** by their function, structure or purpose. STEP 7 has the following blocks:

- Code blocks (FB, FC, OB SFB, SFC)
- Data blocks (DB, SDB) and
- user-defined data types (UDT)

Block call

A block call is the branching of the program processing into the called block.

Block parameter

Block parameters are place holders within multiple use blocks, which are supplied with updated values during the calling up of the corresponding block.

Communications processor

Communications processors are modules for point-to-point connections and bus connections

Configuring

Configuring refers to the configuration of separate modules of a programmable controller in the configuration table.

CP 340 programming interface: Point-to-Point Communication, Parameter Assignment interface

Using the CP 340: Point-to-Point Communication, Parameter Assignment interface you can parameterize the interface of the communications processor and configure the message texts for the printer output.

CPU

Central Processing Unit = Central module of the S7 Programmable Controller with control and computing unit, memory, system program and interfaces to the I/O modules.

Cycle time

The cycle time is the time that the CPU requires to process the user program once.

Cyclic program processing

In cyclic program processing the user program runs in program loop, or cycle, that is constantly repeated.

Data block (DB)

Data blocks are blocks that contain data and parameters with which the user program works. Unlike all other blocks, they do not contain any instructions. There are global data blocks and instance data blocks. The data contained in the data blocks can be accessed absolutely or symbolically. Complex data can be stored in structured form.

Data Type

With the help of the data types you can specify how the value of a variable or constant in the user program is to be used. The data types are divided into elementary and structured data types

Default setting

The default setting is a reasonable basic setting that can be used whenever no other value is specified.

Diagnostic buffer

Each CPU has its own diagnostic buffer, in which detailed information on all the diagnostic events are entered in the sequence in which they occur.

The CP 340 has its own diagnostic buffer in which all diagnostic events of the CP 340 are entered (hardware/firmware errors, initialization/parameterization errors, sending and receiving errors).

Diagnostic events

Diagnostic events are such as module errors, system errors in the CPU which may be caused by a program error or transitions from one operating mode to another.

Diagnostics functions

The diagnostic functions cover the entire system diagnostics and include the recognition, interpretation and reporting of errors within the Programmable Controller.

Function blocks (FBs)

Function blocks are components of the user program and are, according to IEC standard, "blocks with memory". The memory for the function blocks is an allocated data block, the "instance data block". Function blocks can be parameterized, i.e. you can use them with and without parameters.

Hardware

Hardware is the entire physical and technical equipment of a programmable controller.

Instance data block

The instance data block is a block allocated to a function block, which contains data for this special function block.

Interrupt

Interrupt is a term that designates the interruption of the processing of a program in the processor of a programmable controller by an external alarm

Loading from PC

Downloading of load objects (e.g. code blocks) from the programming device into the load memory of the central processing unit (CPU).

Loading in the programming device

Uploading of load objects (e.g. code blocks) from the load memory of the central processing unit into the programming device.

Module

Modules are pluggable PCBs for programmable controllers.

Module parameters

Module parameters are values with which the behavior of the module can be set. There are two different types of module parameters: static and dynamic.

Mounting rack

The mounting rack is the rail containing the slots for the modules.

Online Help

STEP 7 provides you with the option of having context-dependant help texts displayed on the screen while you are working with the programming software.

Online/Offline

When you are online there is a data connection between the programmable controller and programming device, when you are offline there is no data connection between them.

Operand

An operand is part of a STEP 7 instruction and states with which unit the process should execute something. It can be addressed both absolutely and symbolically.

Operating mode

The SIMATIC S7 programmable controllers have three different operating modes: STOP, START-UP and RUN. The functionality of the CPU is different in the various operating modes.

Operating system of the CPU

The operating system of the CPU organizes all the functions and process of the CPU that are not connected to a special control task.

Parameterization

Parameterization refers to the setting of a module's behavior.

Parameters

Parameters are values that can be allocated. There are two different types of parameters: block parameters and module parameters.

Point-to-point communication

In point-to-point communication the communications processor forms the interface between a programmable controller and a communication partner.

Procedure

Procedure refers to the process of a data transmission according to a specific protocol.

Process image

The process image is a special memory area in the programmable controller. At the start of the cyclic program the signal states of the input modules are transmitted to the process image of the inputs. At the end of the cyclic program the process image of the outputs is transmitted as signal state to the output modules.

Programmable Controller

A programmable controller is a stored-program control consisting of at least one CPU, various input and output modules, and operating and monitoring devices

Protocol

All communication partners involved in data transmission must follow fixed rules for handling and implementing the data traffic. Such rules are called protocols.

S7-300 backplane bus

The S7-300 backplane bus is a serial data bus via which the modules communicate with each other and via which they are supplied with the necessary voltage.

Software

Software refers to the entirety of all programs that are used on a computing system. The operating system and user programs belong to this.

START-UP

The START-UP operating mode forms the transition from STOP mode to RUN mode.

STEP 7

STEP 7 is the programming software of SIMATIC S7.

System blocks

System blocks are different from other block in that they are already integrated into the S7-300 system and are available for already defined system functions. There are system data blocks, system functions and system function blocks.

System function blocks (SFBs)

System functions are blocks without memory that are already integrated into the operating system of the CPU and can be called up by the user whenever necessary.

System functions (SFCs)

System functions are blocks without memory that are already integrated into the operating system of the CPU and can be called up by the user whenever necessary.

User program

The user program contains all instructions and declarations for processing the signals used for controlling a system or a process. In SIMATIC S7 the user program is structured and divided into small units, the blocks.

Variable

A variable is an operand (e.g. I 1.0) which can have a symbolic name and therefore also be addressed symbolically.

Working Memory

The working memory is a RAM storage unit in the CPU which the processor draws on when running the user program

Index

2

- 20mA-TTY, 20
- 20mA-TTY interface
 - Technical specifications, 160

3

- 3964(R) procedure
 - Baud rate, 64
 - Character frame, 64
 - Handling errored data, 43
 - Technical specifications, 161
- 3964(R) protocol, 63

A

- ASCII driver, 46
 - BREAK evaluation, 55
 - Code transparency, 51
 - Data flow control, 69
 - End criteria, 51
 - Parameter, 66
 - Parameter assignment data, 66
 - Receive buffer, 70
 - RS 232C accompanying signals, 47
 - Sending, 50
 - Technical specifications, 162
 - X27 (RS 422/485) interface, 71
- Assignment of new parameters, 127

B

- BREAK evaluation, 55
- Bus connector for the S7 rear panel bus, 17
- BUSY signal, 60

C

- Calling the SFCERR or SFCSTATUS variable, 141
- Code transparency, 51
- Configuring the CP 340, 96
- Connecting cables
 - RS 232C, 166
- CP 340
 - Parameter assignment, 94
 - Technical specifications, 159
- CP 340 slots, 89
- CPU RUN, 129
- CPU Startup, 129
- CPU-STOP, 129

D

- Data flow control, 59
- Diagnostic buffer of the CP 340, 144
- Diagnostic Buffer of the CP 340, 132
- Diagnostics
 - Diagnostic buffer, 144
- Diagnostics functions
 - Diagnostics interrupt, 142
- Diagnostics functions of the CP 340
 - Diagnosis via display elements, 131
 - Diagnosis via the S7-300 backplane bus, 131
 - Diagnostics by means of the diagnostic buffer, 131
 - Diagnostics via the STATUS output, 131
- Diagnostics interrupt, 61
- Display elements (LED), 131
- Disposal of the CP 340, 164

F

- FB 2 P_RCV
 - Parameter, 111
 - Time sequence chart, 112
- FB 4 P_PRINT
 - Parameter, 116
 - Time sequence chart, 117
- FB P_RCV
 - Assignment in the data area, 110
- FC 5 V24_STAT
 - Parameters, 119

- FC 6 V24_SET
 - Parameter, 120
- Firmware update, 100
- Function block, 103
 - FB 2 P_RCV, 111
 - FB 4 P_PRINT, 113
 - FB P_RCV, 109, 110
 - Installation, 104
 - Memory requirements, 125
 - Overview, 104
 - P_PRINT FB, 113
 - P_RESET FB, 121
 - P_SEND (FB 3), 107
 - P_SEND FB, 105

G

- Group error displays, 133

H

- Handshaking, 49
- Hardware Components, 14

I

- Identification data
 - Definition, 100
- Installing the communication processor, 87
- Installing the CP 340, 90
- Interface
 - 20mA-TTY, 20
 - RS 232C, 18, 20
 - X27 (RS 422/485), 21
- Interface types, 17
- Interrupt behavior, 124
- ISO 7-Layer Reference Model, 29

L

- LED displays, 17

M

- Managing the parameter data, 97
- Message frames, 130
- Message texts
 - Formatting, 77
 - Variables, 77

- Module variants, 11
 - CP 34x–20mA-TTY, 11
 - CP 34x–RS 232C, 11
 - CP 34x–RS 422/485, 11
 - Functions, 12
- Mounting rack, position, 89

O

- Operating mode transitions, 129
- Operating modes, 127
 - Assignment of new parameters, 127
 - RUN, 127
 - STOP, 127
- Order numbers
 - Connecting cables, 185
 - Module variants, 185

P

- P_PRINT FB
 - Assignment in the data area, pointer DB, 115
 - Instance DB, 115
 - Message texts, 113
- P_RESET FB
 - Assignment in the data area, 122
 - Delete receive buffer, 121
 - Error display, 121
 - Parameters, 122
 - Time sequence chart, 123
- P_SEND (FB 3)
 - Parameter, 107
 - Time sequence chart, 108
- P_SEND FB
 - Assignment in the data area, 107
- Parameter assignment data
 - 3964(R) procedure, 62
 - ASCII driver, 66
- Parameter assignment user interface
 - Installing, 95
- Point-to-point communication
 - Hardware Components, 14
 - Software components, 15
- Possible applications for the CP 340, 12
- Printer driver
 - Baud rate, 72
 - BUSY signal, 60
 - Character frame, 72
 - Character set, 75
 - Control characters, 75
 - Data flow control, 59, 73

- Examples, 58
- Format string, 57
- Handshaking, 59
- Message texts, 56, 76
- Technical specifications, 163
- Variables, 57
- X27 (RS 422/485) interface, 74

Procedure, 28

Programming device, 15

Programming example, 147

R

Reading the diagnostic buffer at the programming device, 144

Receive buffer on CP 340, 55

Receiving message frames, 130

Receiving with the 3964(R) procedure, 40

Recycling, 164

Removing the CP 340, 90, 91

RS 232C, 18

RS 232C accompanying signals

- Automatic control, 47
- V24_SET FC, 47
- V24_STAT FC, 47

RS 232C interface

- Connecting cables, 165
- Pin assignment, 165
- Technical specifications, 160

RS 232C secondary signals, 47

RS 232C Secondary Signals, 118

- Reading and controlling, 118

RXD, 133

S

S7-300 backplane bus, 131

Sending with the 3964(R) procedure, 36

Service & Support, 5

Software components, 15

- Function blocks, 15
- Parameter assignment interface, 15
- STEP 7 software package, 15

Special displays, 133

Standard connecting cable, 15

Standard Connecting Cable, 14

Start-up behavior, 128

STATUS Output of the FBs, 131

STATUS parameter

- Event classes, 134
- Example, 134
- Structure, 134

T

Technical specifications, 159

The program example

- Download to the CPU, 155

TXD, 133

V

V24_SET FC, 47

V24_STAT FC, 47

X

X27 (RS 422) interface

- Parameter, 65

X27 (RS 422/485), 21

X27 (RS 422/485) interface

- Technical specifications, 160

