

Softstart

Diagram for softstarters

PS A18...60

PS D75...840

PS DH30...720

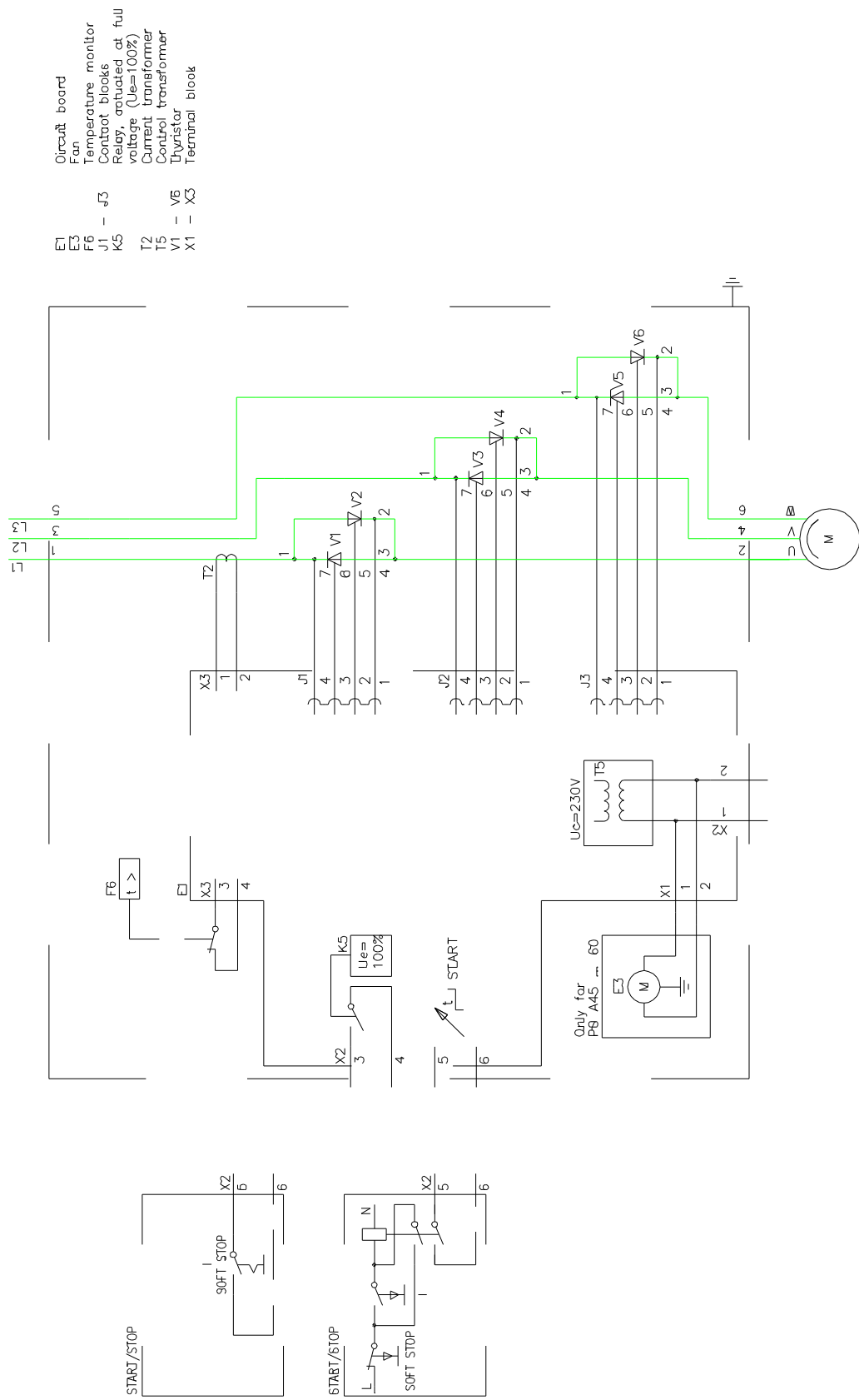
5309 698-1 Edition 4 Dec-01 (English)



STANDARD DIAGRAM

5366 104-1	PS A18...60	Standard.
5366 104-2	PS D75...840	Standard.
5366 104-3	PS D75...840	Standard.
	PS DH30...720	

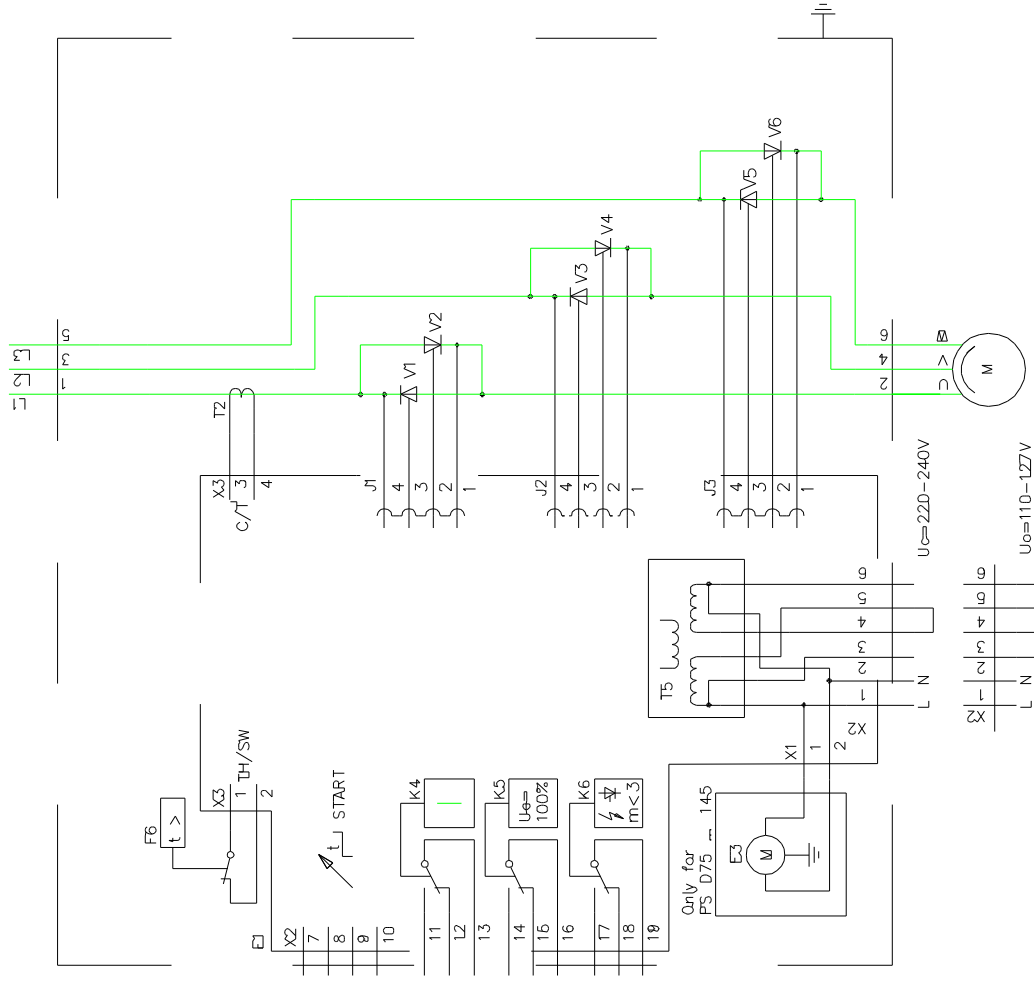
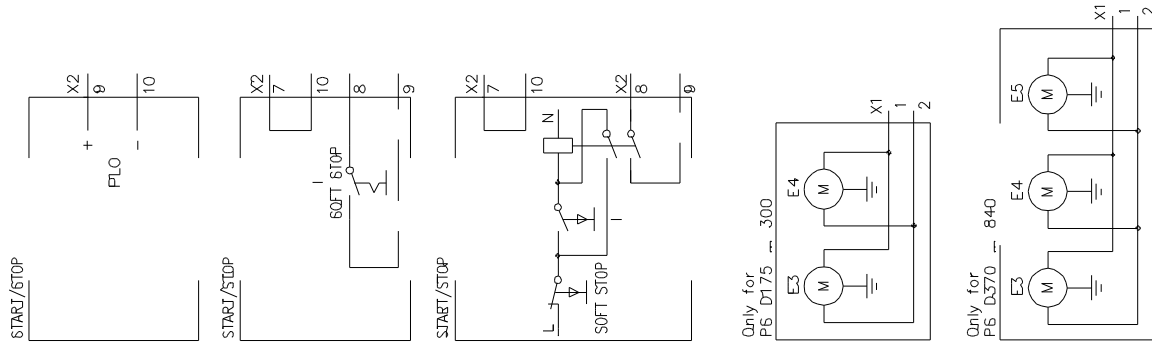
Soft Starter PS A18...60 standard diagram.



S104-1

T PERSSON		Circuit diagram		ISSUED	
T PERSSON		SOFT STARTERS		82	
TP		MÅJKSTARTARE		1	
4		5366 104-1		4	
4	Adjusted	TP	95 07		
Rev int		Appd	Year	Week	

Soft Starter PS D75...840 standard diagram.



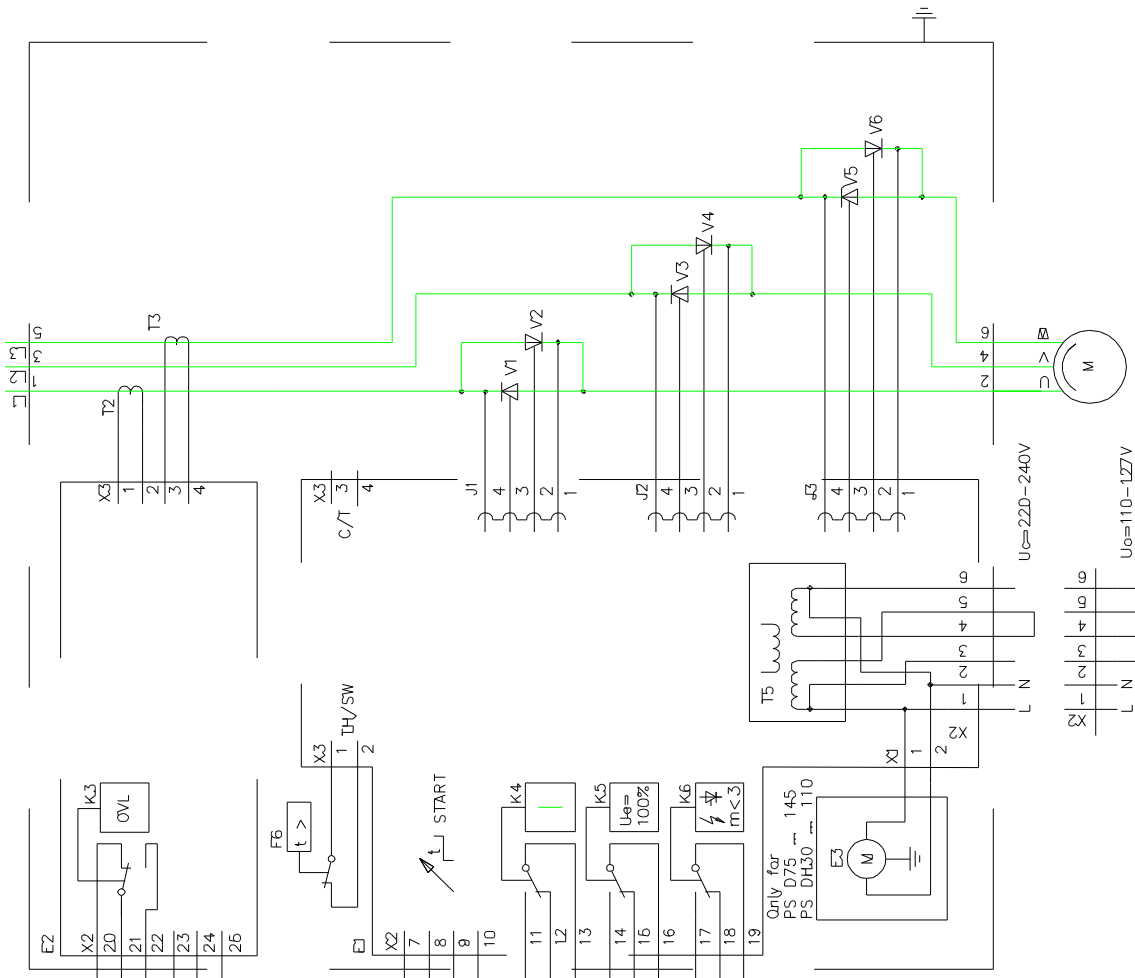
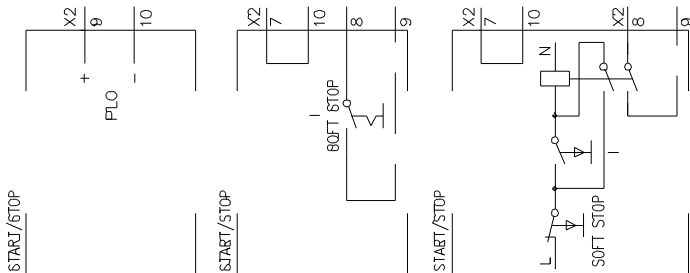
- E1 - E5
- F6 - J3
- J1 - J5
- K4
- K5
- K6
- T2
- T5
- V1 - V6
- X1 - X3

- Circuit board
- Fan
- Temperature monitor
- Contact blocks
- Relay, actuated in operational position
- Relay, actuated at full voltage (U₀=100%)
- Relay, fault signal
- Current transformer
- Control transformer
- Thyristor
- Terminal block

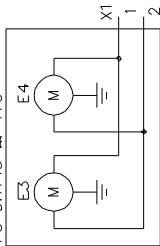
ST04-2

4	Approved	TP	95	07	Year	1995	Week	07
	Rev. int.							
ABB Control		MUKSTARARE		SOFT STARTERS		Circuit diagram		
ISSUED		Scale/Rev		Rev. No.		44		
5366 104-2		82		82		Sheet		
		4		4		Rev. int. Cont.		
						Rev. int. Sheet.		

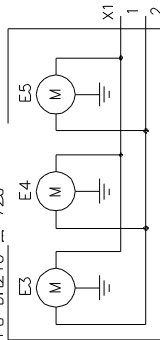
Soft Starter PS D75...840, PS DH30...720 standard diagram.



Only for PS D176 ... 300 PS DH145 ... 176



Only for PS D370 ... 840 PS DH210 ... 720



- E1 - Circuit board
- E2 - Circuit board OVL
- E3 - Fan
- F6 - Temperature monitor
- J1 - Contact blocks
- J2 - Relay, overloaded
- J3 - Relay, actuated in operational position
- K3 - Relay, actuated at full voltage (U_e=100%)
- K4 - Relay, fault signal
- K5 - Current transformer
- K6 - Current transformer
- T2 - Current transformer
- T3 - Control transformer
- T5 - Thyristor
- V1 - Thermal block
- X1 - X3

ST04-3

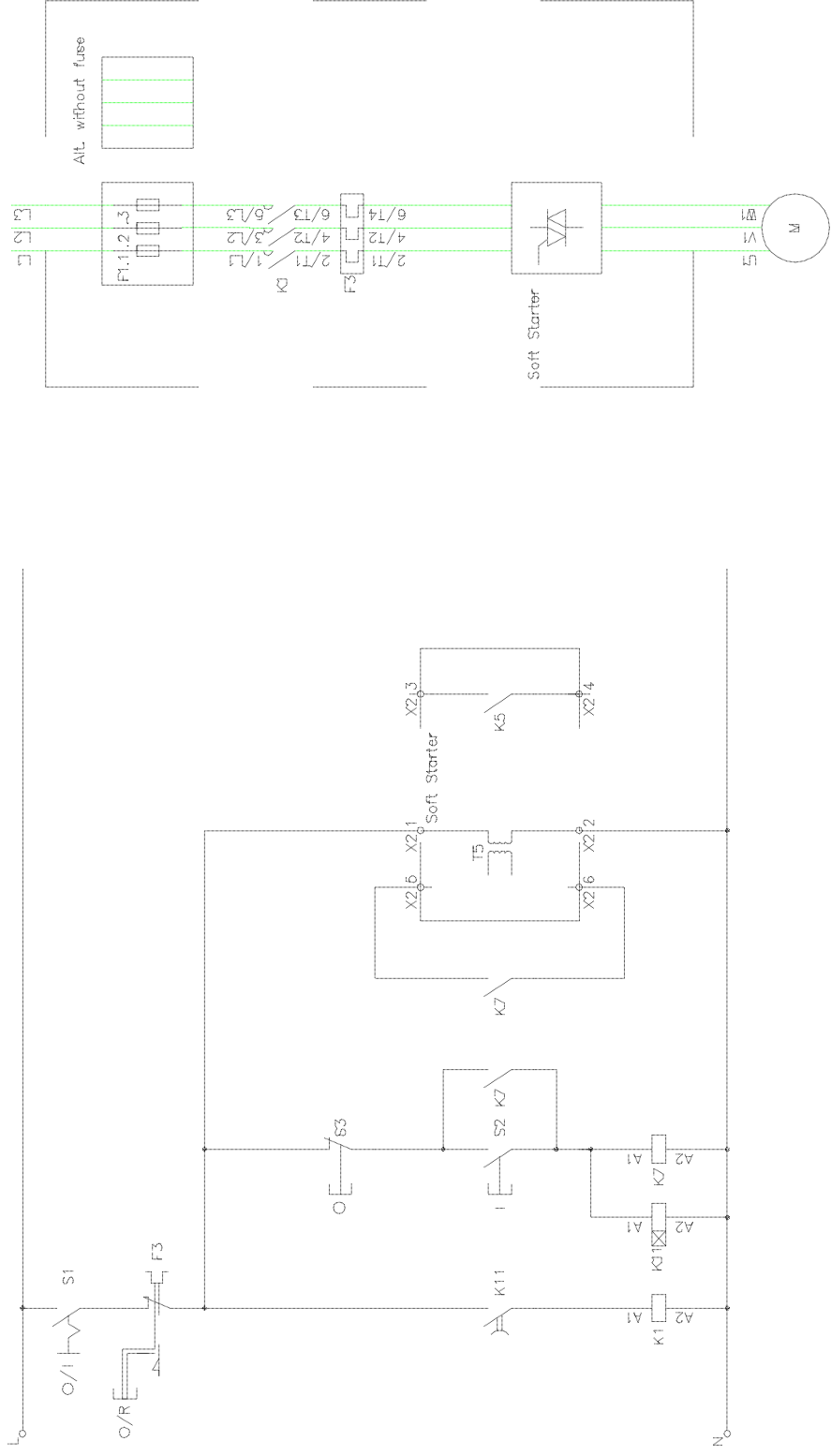
5	Adjusted	TP	95	07	Year	Week
	Rev. int.	Appd.				
Design checked by T. PERSSON				Drawing checked by T. PERSSON		
Design by TP				Drawn by TP		
ABB Control			ABB			
MJKSTARTARE			MJKSTARTARE			
SOFT STARTERS			SOFT STARTERS			
Circuit diagram			Circuit diagram			
ISSUED			ISSUED			
5366		104-3				
Bar. int.	Sheet	Bar. int.	Sheet	Bar. int.	Sheet	
5	1	5	1			

APPLICATION DIAGRAM

5366 105-1	PS A18...60	With motor protection and softstop.
5366 105-2	PS D75...300	With motor protection and softstop.
5366 105-3	PS D370...840	With motor protection and softstop.
5366 105-4	PS D75...300	With motor protection and softstop.
	PS DH30...250	
5366 105-5	PS D370...840	With motor protection and softstop.
	PS DH300...720	
5366 105-6	PS A18...60	With softstop and By-pass.
5366 105-7	PS D75...300	With softstop and By-pass.
5366 105-8	PS D370...840	With softstop and By-pass.
5366 105-9	PS D75...145	With softstop and By-pass.
	PS DH30...110	
5366 105-10	PS D175...300	With softstop and By-pass.
	PS DH145...250	The internal overload relay is working also together with By-pass.
5366 105-11	PS D370...840	With softstop and By-pass.
	PS DH300...720	The internal overload relay is working also together with By-pass.
5366 105-12	PS A18...60	With motor protection, softstop and By-pass.
5366 105-13	PS D75...300	With motor protection, softstop and By-pass.
5366 105-14	PS D370...840	With motor protection, softstop and By-pass.
5366 105-15	PS D75...145	With motor protection, softstop and By-pass.
	PS DH30...110	
5366 105-16	PS D175...300	With motor protection, softstop and By-pass.
	PS DH145...250	The internal overload relay is working also together with By-pass.
5366 105-17	PS D370...840	With motor protection, softstop and By-pass.
	PS DH300...720	The internal overload relay is working also together with By-pass.
5366 105-18	PS A18...60	With reversing and softstop.
5366 105-19	PS D75...300	With reversing and softstop.
5366 105-20	PS D370...840	With reversing and softstop.
5366 105-21	PS D75...840	With reversing and softstop.
	PS DH30...720	
5366 105-22	PS A18...60	With reversing, By-pass and softstop.
5366 105-23	PS D75...300	With reversing, By-pass and softstop.
5366 105-24	PS D370...840	With reversing, By-pass and softstop.
5366 105-25	PS D75...145	With reversing, By-pass and softstop.
	PS DH30...110	
5366 105-26	PS D175...300	With reversing, By-pass and softstop.
	PS DH145...250	The internal overload relay is working also together with By-pass.
5366 105-27	PS D370...840	With reversing, By-pass and softstop.
	PS DH300...720	The internal overload relay is working also together with By-pass.

5366 105-28	PS A18...60	With pole-changing and softstop. For motor with two winding.
5366 105-29	PS D75...300	With pole-changing and softstop. For motor with two winding.
5366 105-30	PS D370...840	With pole-changing and softstop. For motor with two winding.
5366 105-31	PS A18...60	With pole-changing, By-pass and softstop. For motor with two winding.
5366 105-32	PS D75...300	With pole-changing, By-pass and softstop. For motor with two winding.
5366 105-33	PS D370...840	With pole-changing, By-pass and softstop. For motor with two winding.
5366 105-34	PS A18...60	With pole-changing and softstop.
5366 105-35	PS D75...300	For motor with one winding (Dallander). With pole-changing and softstop.
5366 105-36	PS D370...840	For motor with one winding (Dallander). With pole-changing and softstop.
5366 105-37	PS A18...60	For motor with one winding (Dallander). With pole-changing, By-pass and softstop.
5366 105-38	PS D75...300	For motor with one winding (Dallander). With pole-changing, By-pass and softstop.
5366 105-39	PS D370...840	For motor with one winding (Dallander). With pole-changing, By-pass and softstop.

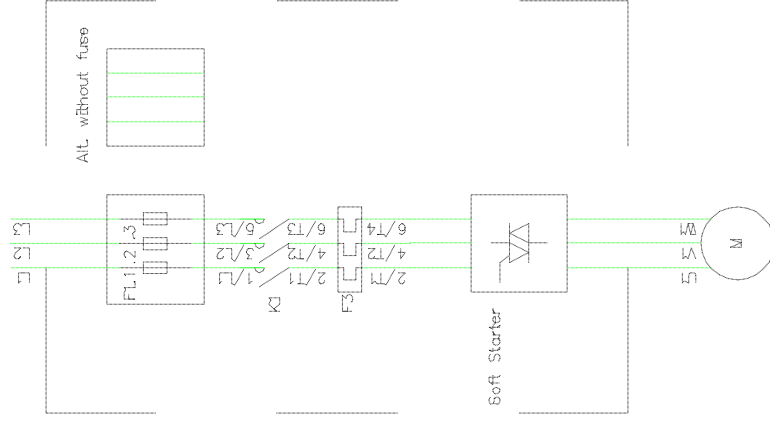
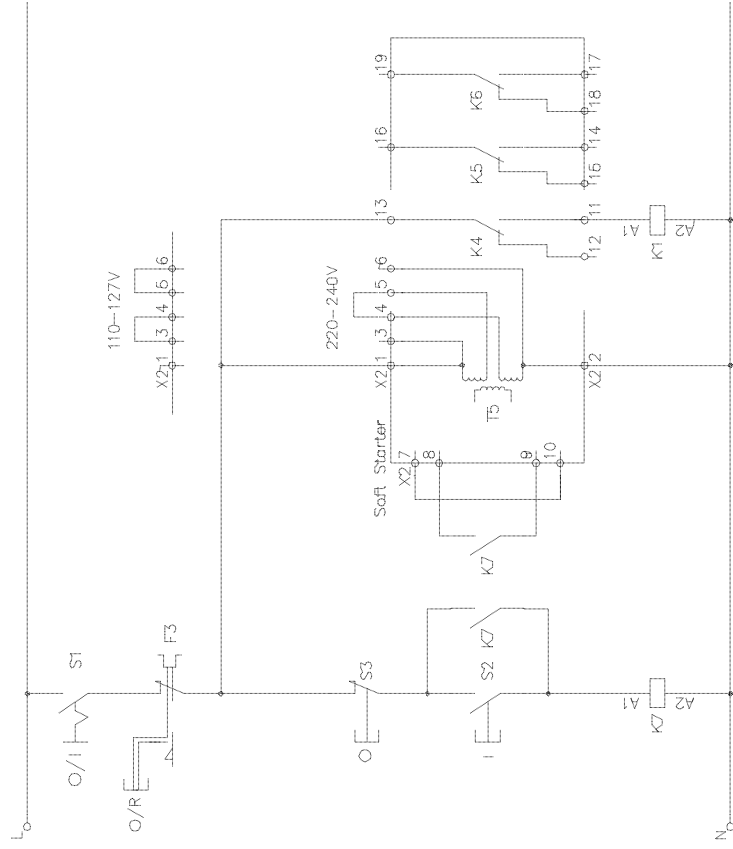
Soft Starter PS A18...60 with motor protection and softstop.
Main contactor open during pause



A105-1

APPLICATION DIAGRAM		82		1	
Soft Starter		5366 105-1		1	
Mjukstare		ISSUED		1	
T Persson		SECUR/BQ		B6 05	
T Persson					
TP					
1		KT1 Insert and fuse moved		TP: 06 40	
Rev int		Appd		Year	
		Risk			

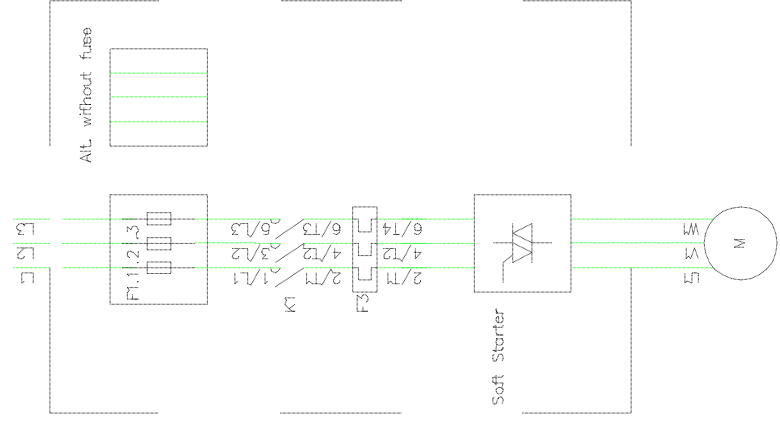
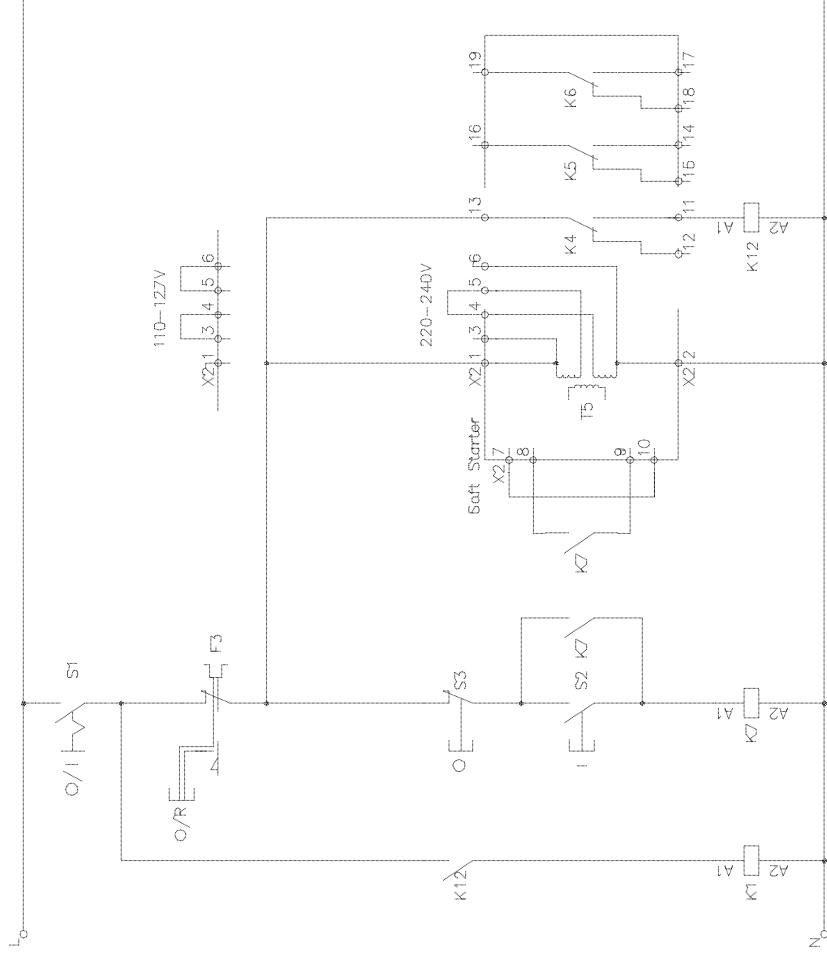
Soft Starter PS D75...300 with motor protection and softstop.
 Main contactor open during pause



A105-2

Design checked by T. PERSSON		APPLICATION DIAGRAM Soft Starter Mjokstortare		Rev. no. Sheet 82 1
Drawing checked by T. PERSSON		ABB ABB Control		Long Sheet Rev. no. Cont. 1 1
Drawn by TP		Iss. by Dept. SECUR/BQ		Year Week 05 05
1 K1 and fuses moved		TP: 06 40		ISSUED
Rev. no.	Year	Week	...	

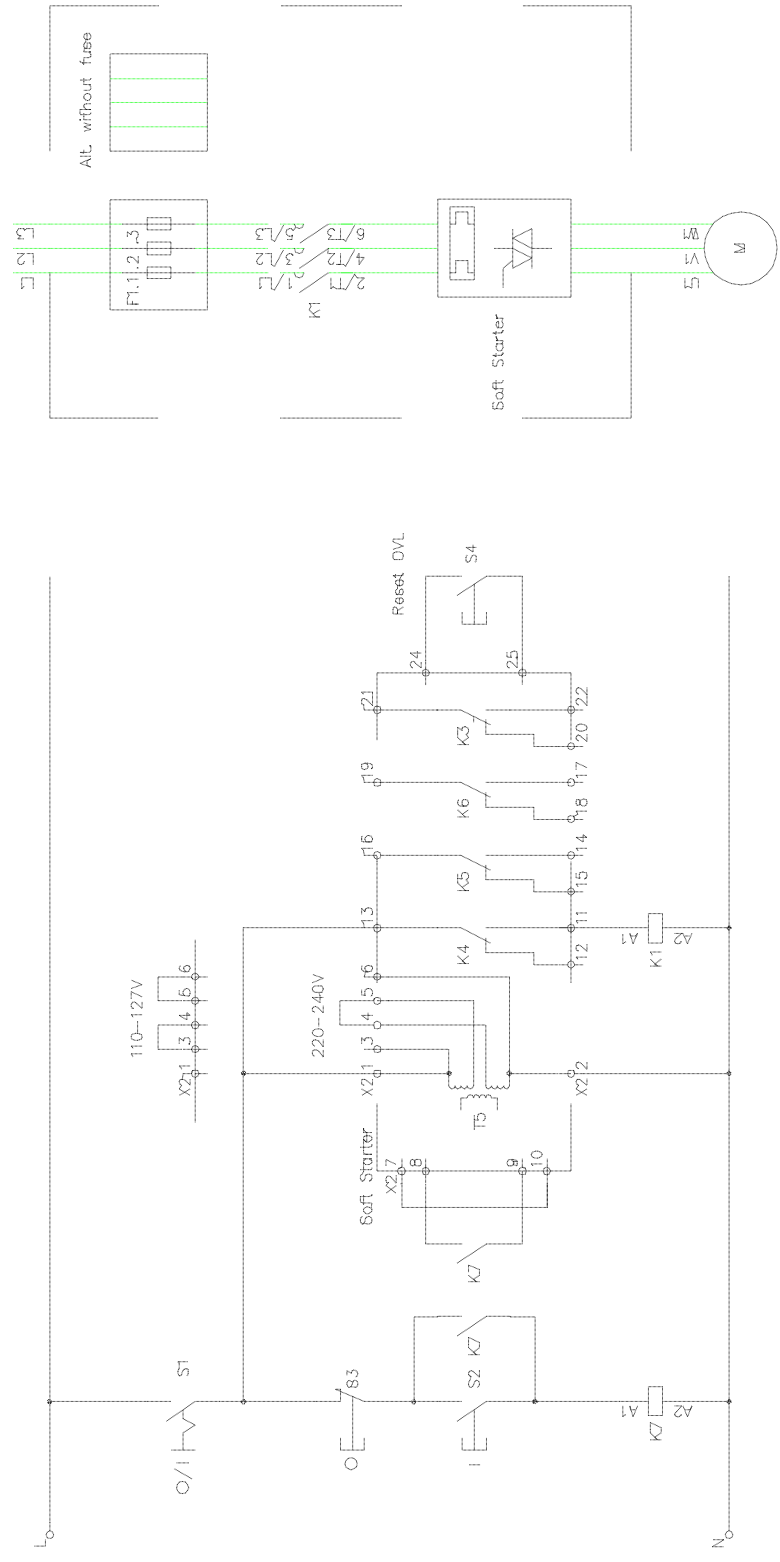
Soft Starter PS D370...840 with motor protection and softstop.
 Main contactor onen during pause



AI05-3

REV		TP	96	40	APPL	YR	INBOK
1		K12 Inset and Fuse moved					
T Perissoc		APPLICATION DIAGRAM			SECUR/B00 B06 B05		
T Perissoc		Soft Starter			ISSUED		
TP		Mjakstartare			1		
		5366 105-3			82		
					1		
					...		

Soft Starter PS D75...300, PS DH30...250 with motor protection and softstop.
 Main contactor open during pause



AI05-4

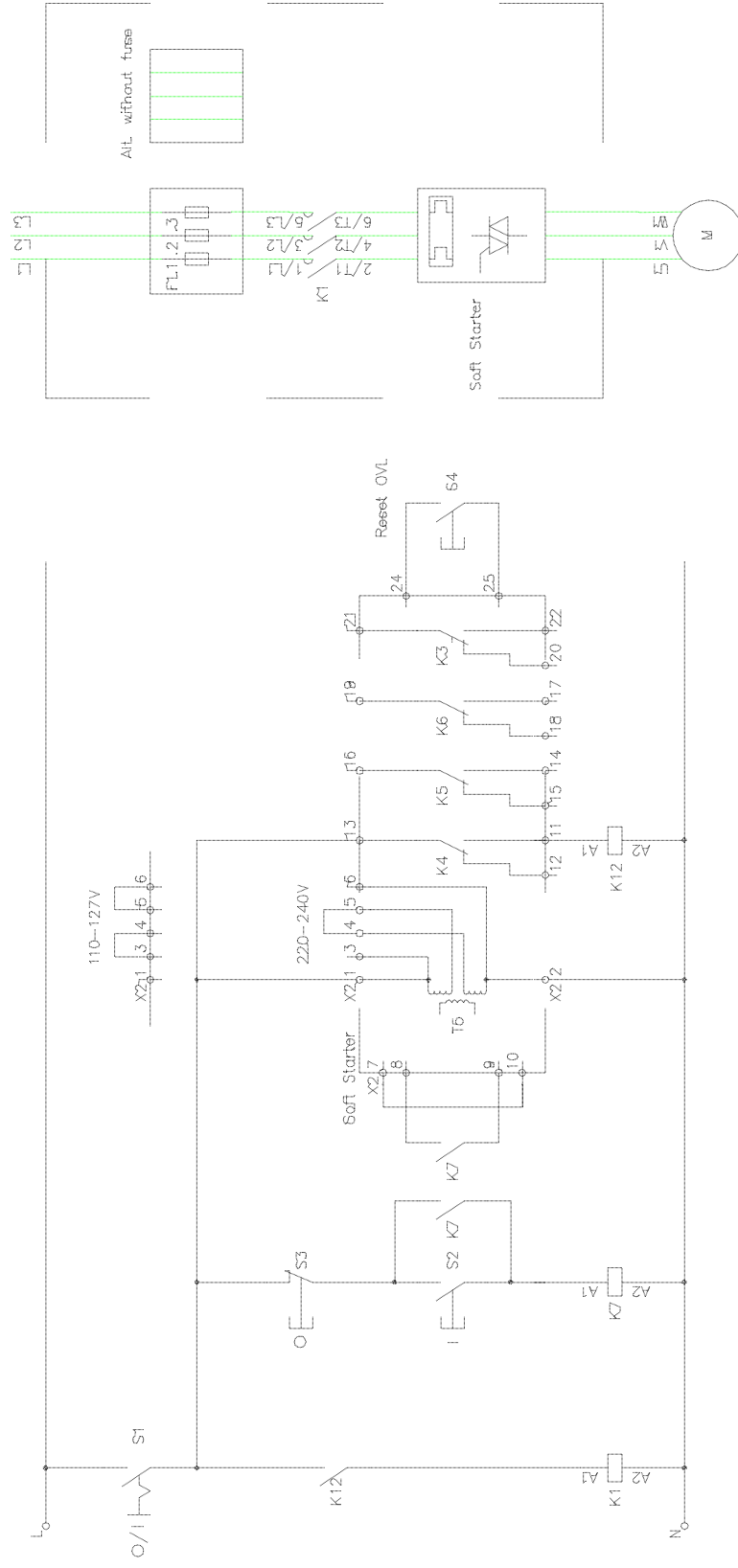
Rev. int		Appd		Year		Week		Issued	
2	K1 and fuses moved	TP	96	40					
1	Adjusted	TP	96	09					

Design checked by		APPLICATION DIAGRAM	
T. Persson		Soft Starter	
Drawing checked by		Mjukstare	
T. Persson		ABB Control	
Drawn by		TP	
Iss by Dept.		SECUR/BB	
Year Week		96 05	
ISSUED			

Rev. int	Rev. int	Sheet	Cont.
2	2	82	1

5366 105-4

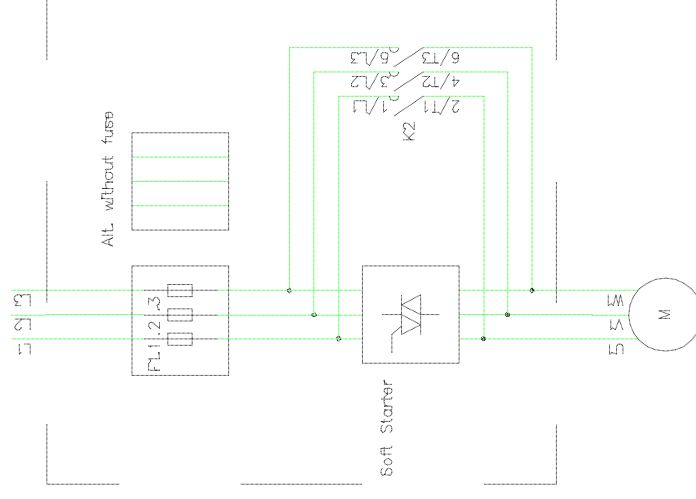
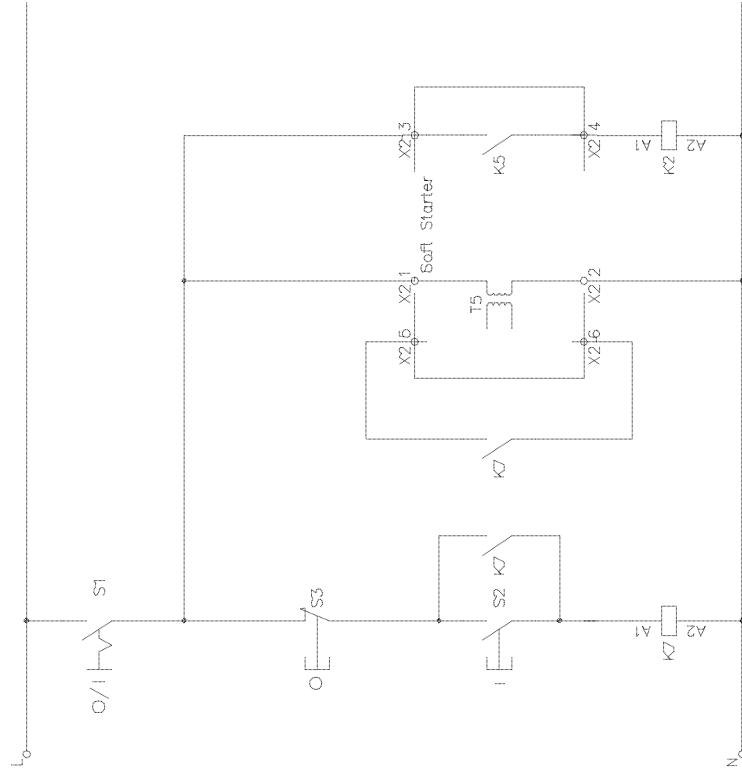
Soft Starter PS D370...840, PS DH300...720 with motor protection and softstop.
 Main contactor open during pause



A105-6

Design checked by I. Persson		APPLICATION DIAGRAM		Rev. no.	Sheet
Drawing checked by I. Persson		Soft Starter Mjukstare		Long	Sheet
Drawn by TP		ABB ABB Control		Rev. no.	Cont.
		Iss. by Dept. SECUR/80		2	...
		Year Week 96 05		5366 105-5	
				ISSUED	
2	K12 Insert and fuse moved	TP	96 40		
1	Adjusted	TP	96 09		
Rev. no.		App.	Year	Week	

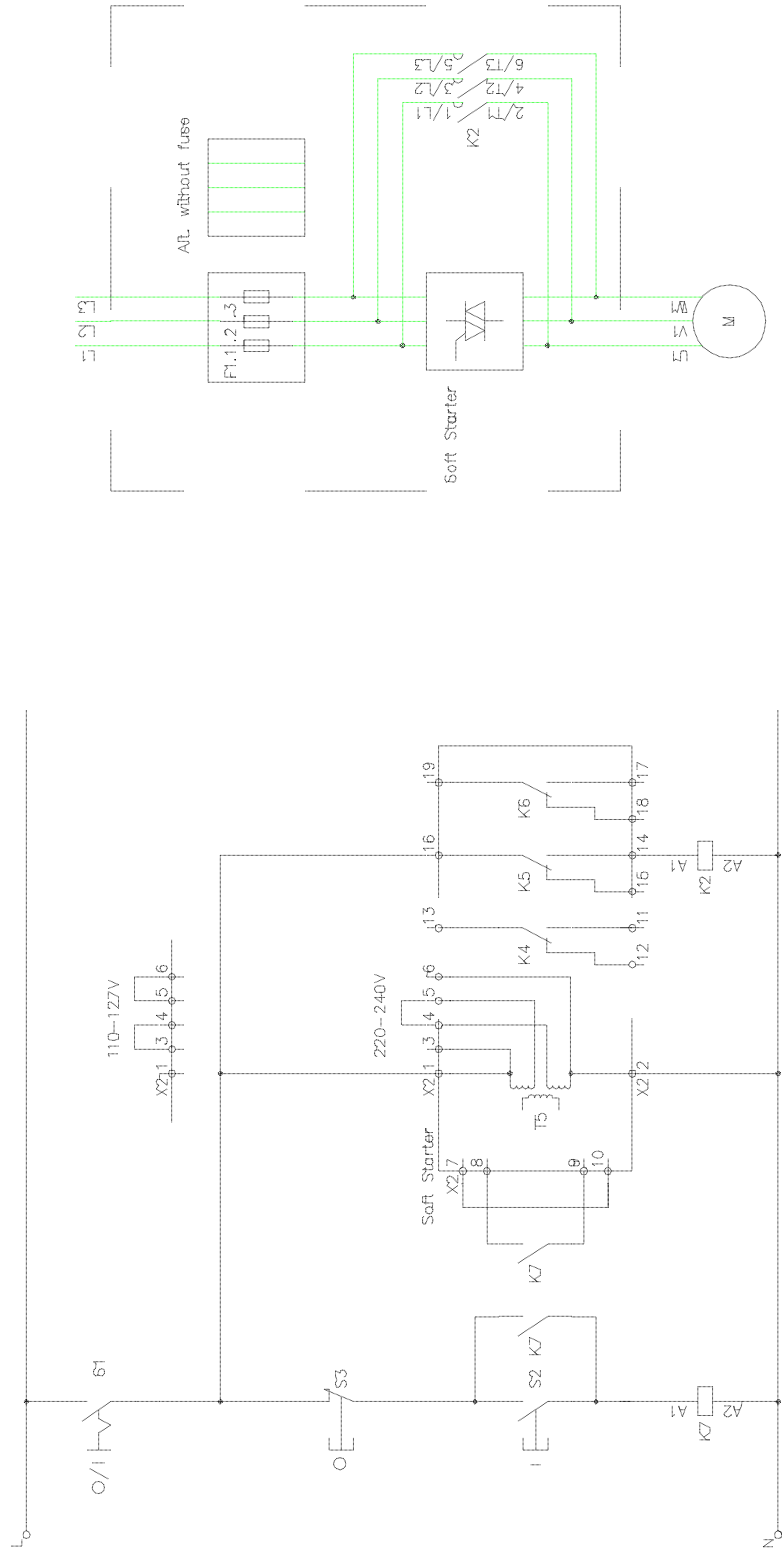
Soft Starter PS A18...60 with softstop and By-pass.



A105-6

APPLICATION DIAGRAM		SECUR/80 06 05		ISSUED	
Soft Starter		Mjuketartare		5366 105-6	
I Perissoa		I Perissoa		82	
I Perissoa		TP		1	
TP		Appd		1	
1 Fuses moved		86 40		1	
Rev int		Xor		100x	

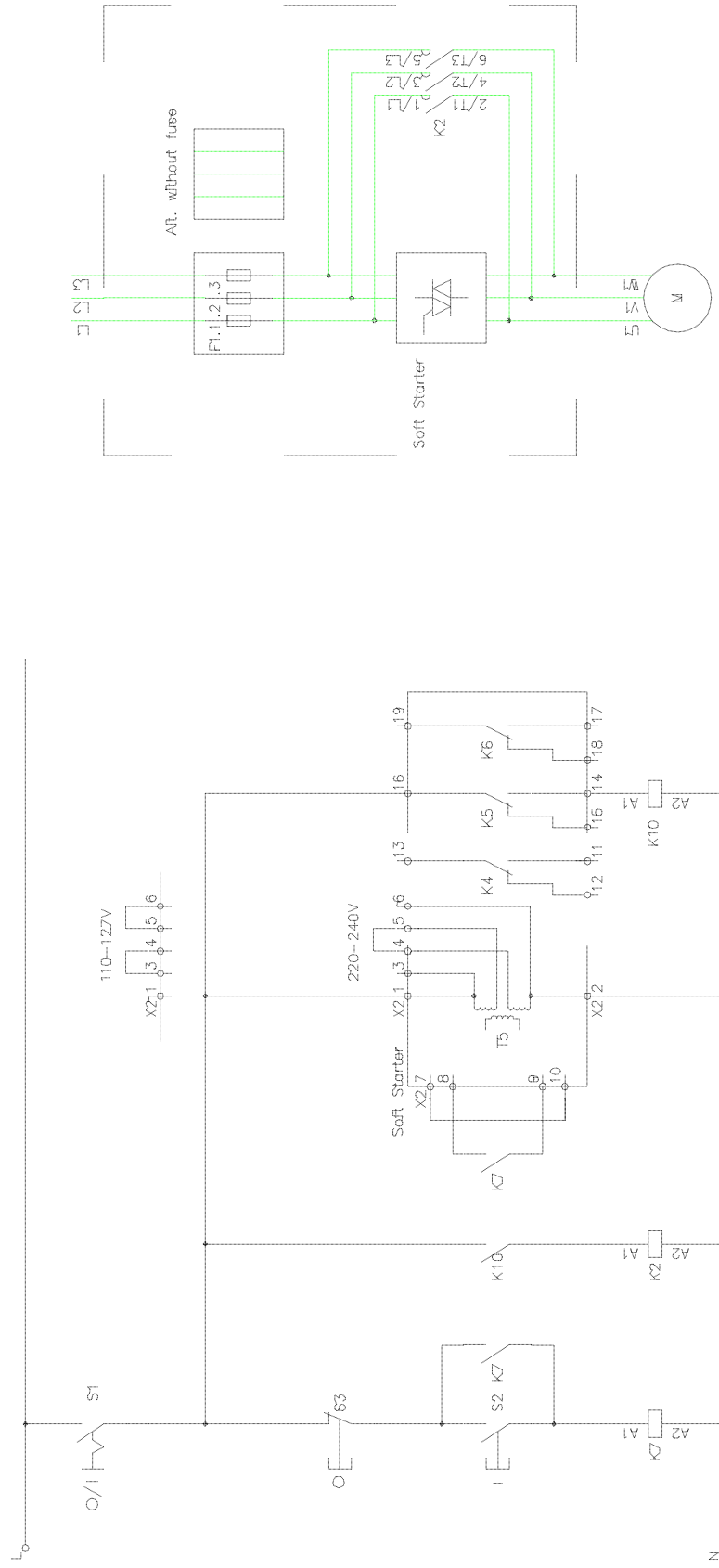
Soft Starter PS D75...300 with softstop and By-pass.



A105-7

APPLICATION DIAGRAM		SECUR/80 06 05		ISSUED	1	...
Soft Starter		Mjpkstartare		5366 105-7	82	1
I Penstop		TP				
I Penstop		TP				
I Penstop		TP				
1 Fuses moved		TP	86 40			
Rev int		Appt	Yor	Work		

Soft Starter PS D370...840 with softstop and By-pass.



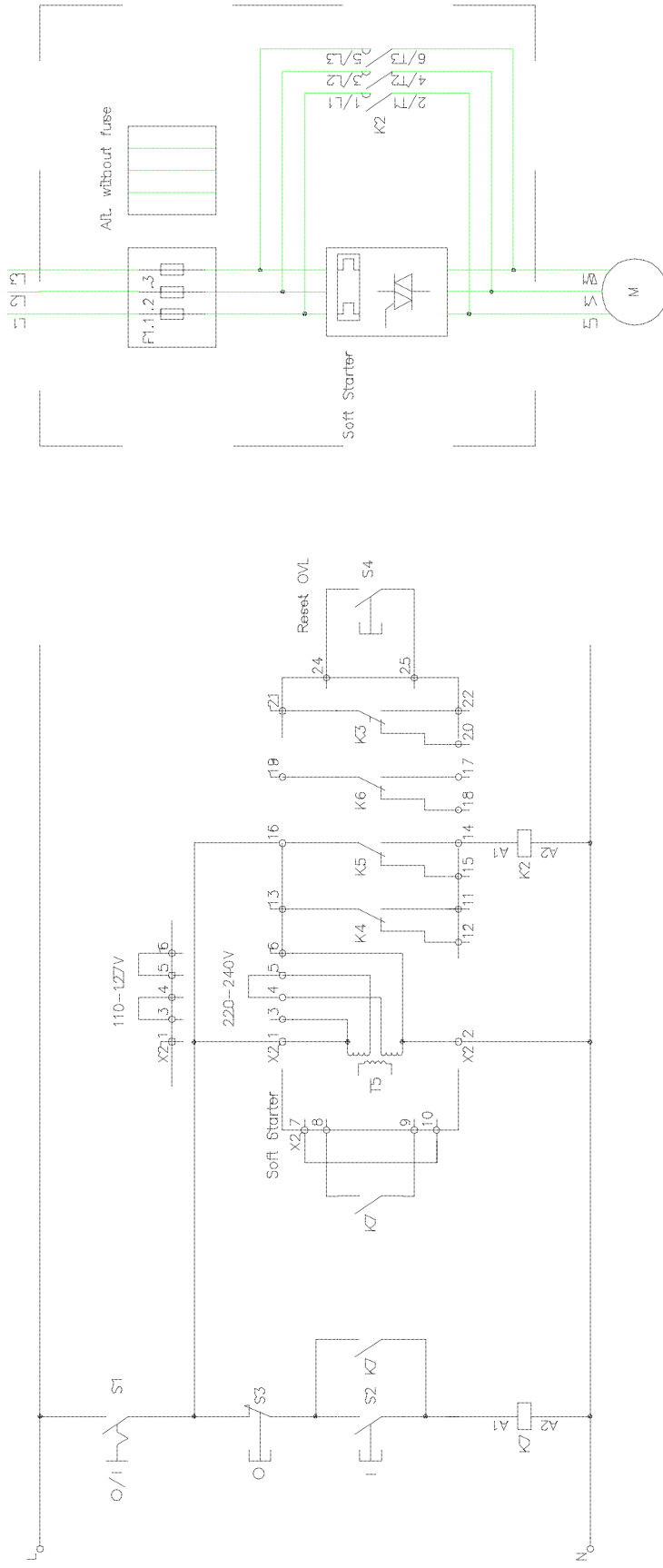
A105-8

APPLICATION DIAGRAM		SECUR/80 06 05	
I Perisosa	Soft Starter	82	1
I Perisosa	Mjakstartare	105-8	1
TP		ISSUED	1

Rev	nr	Appd	Yor	Issd
1		TP	06 40	

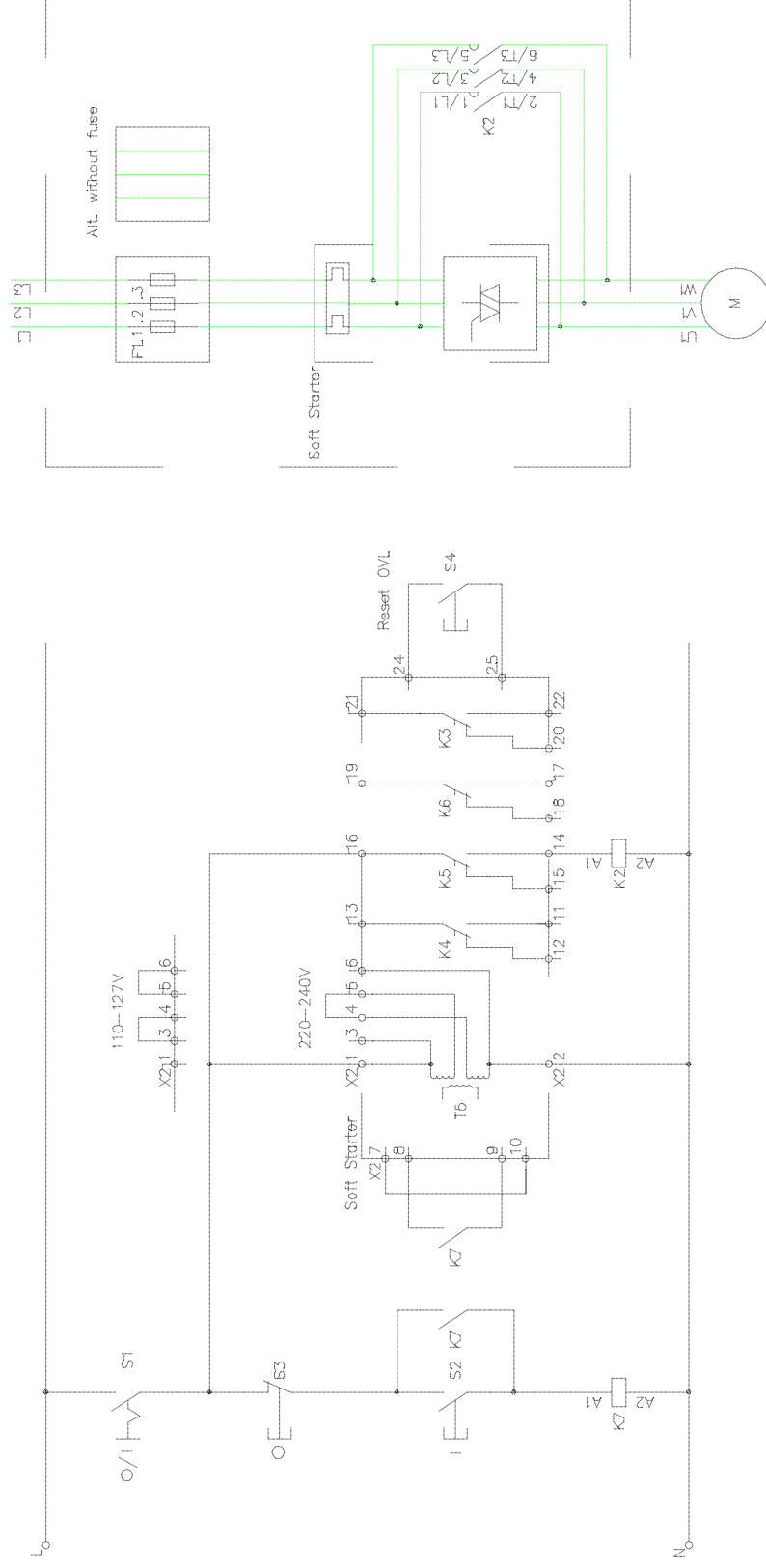
Fuses moved

Soft Starter PS D75...145, PS DH30...110 with softstop and By-pass.



Rev. no.		Date		By		Checked		Approved		Issued	
2	Fuses moved	TP	86	40							
1	Adjusted	TP	86	08							
		Appt.	Year	Week							
Design checked by I. PERSOUD				APPLICATION DIAGRAM Soft Starter Mjukartare				Rev. no. Sheet			
Drawing checked by I. PERSOUD				ABB Control				5366 105-9			
Drawn by TP				Iss. by Dept. SECUR/80 06 05				Long Sheet 82 1			
								Rev. no. Cont.			
								2			
								A105-9			

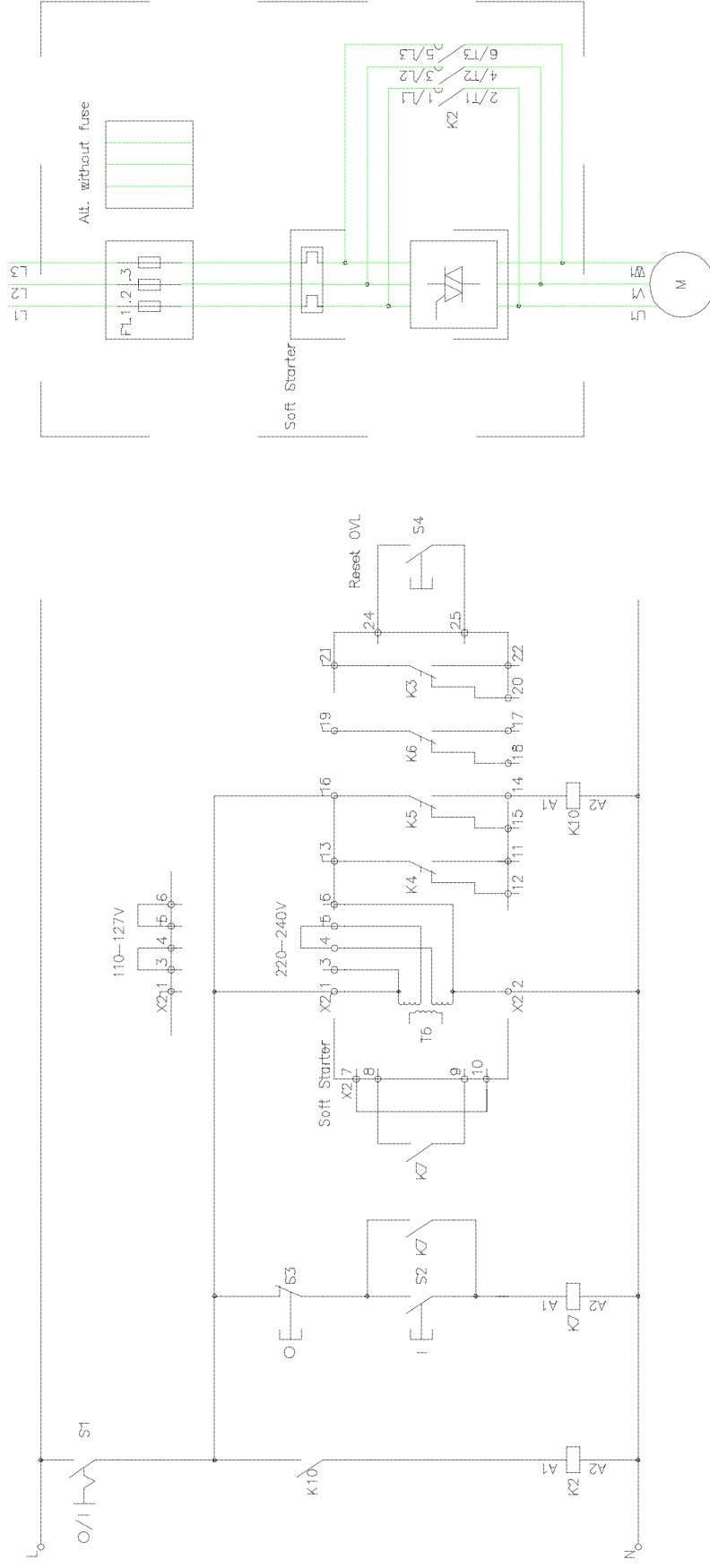
Soft Starter PS D175...300, PS DH145...250 with softstop and By-pass.
 The internal overload relay is working also together with By-pass.



AJ05-10

2	KT0 removed	TP	96	40	5366 105-10	82	1
		TP	96	09			
1	Adjusted	TP	96	09	5366 105-10	2	...
Rev. int.		Appl.	Year	Week	SECORL/80	96	05
APPLICATION DIAGRAM					ISSUED		
Soft Starter							
Mjukstartare							
I Persson							
I Persson							
TP							

Soft Starter PS D370...840, PS DH300...720 with softstop and By-pass.
 The internal overload relay is working also together with By-pass.



A105-11

Rev. no.	Appd.	Year	Week	Issued	Rev. no.	Appd.	Year	Week	Issued
2	TP	86	40		2				
1	TP	86	08		1				

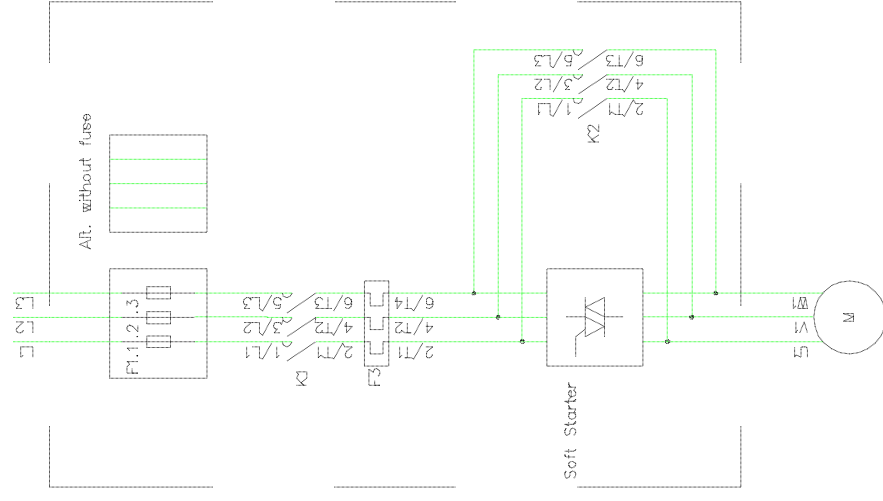
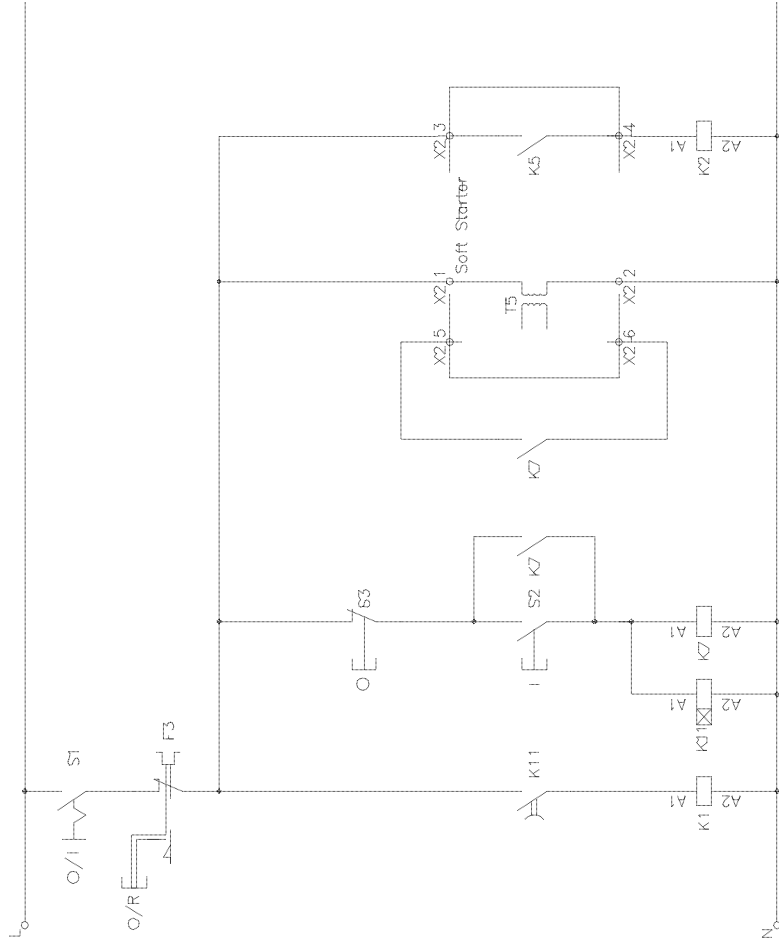
Design checked by		Year		Week	
I. Persson		86		05	
Drawing checked by		Year		Week	
I. Persson		86		05	
Drawn by		Year		Week	
TP		86		05	

APPLICATION DIAGRAM	
Soft Starter	ABB Control
Mjukstartare	

Rev. no.	Long	Rev. no.	Cont.
2	82	1	1
1	82	1	1

Rev. no.	Long	Rev. no.	Cont.
2	82	1	1
1	82	1	1

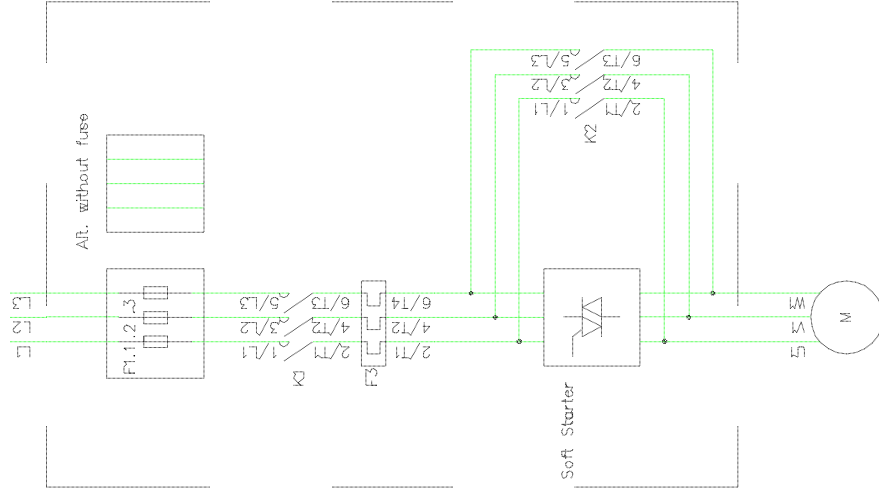
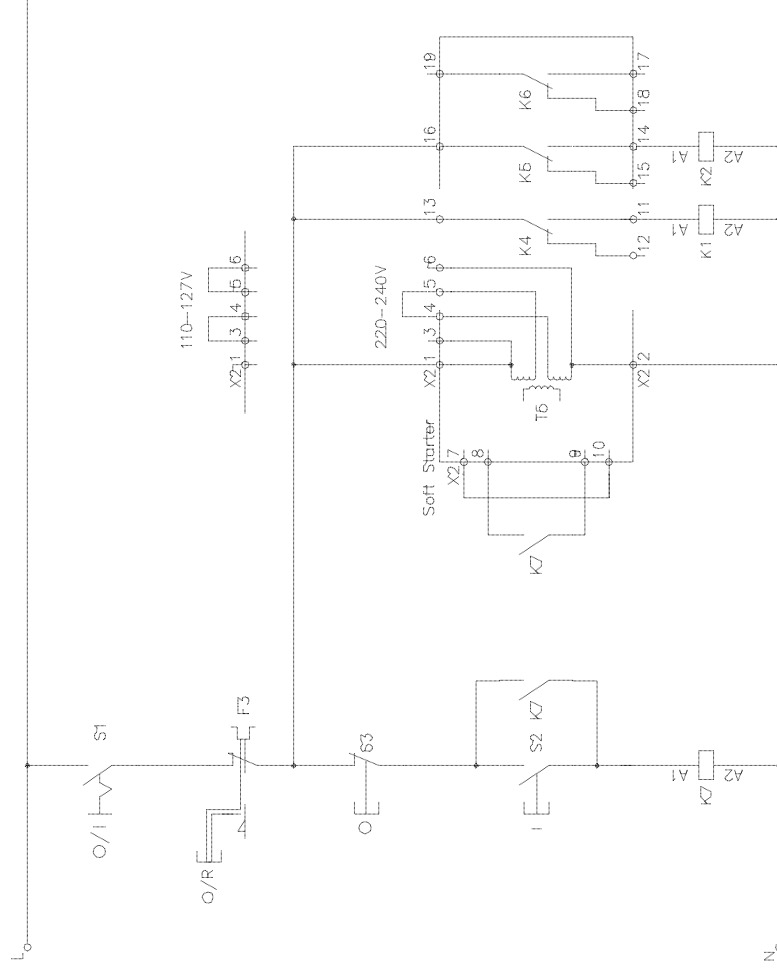
Soft Starter PS A18...60 with motor protection, softstop and By-pass.
 Main contactor open during pause



A105-12

Rev	Int	Sheet	5366 105-12	Issued	1	...
1	Redrains	TP	86 40	Appt	Year	Week
Design checked by I. Persson			APPLICATION DIAGRAM			
Drawing checked by I. Persson			Soft Starter			
Drawn by TP			Mjukstartare			
			ABB Control			
			let by Dept. Year Week			
			SECUR/80 06 05			

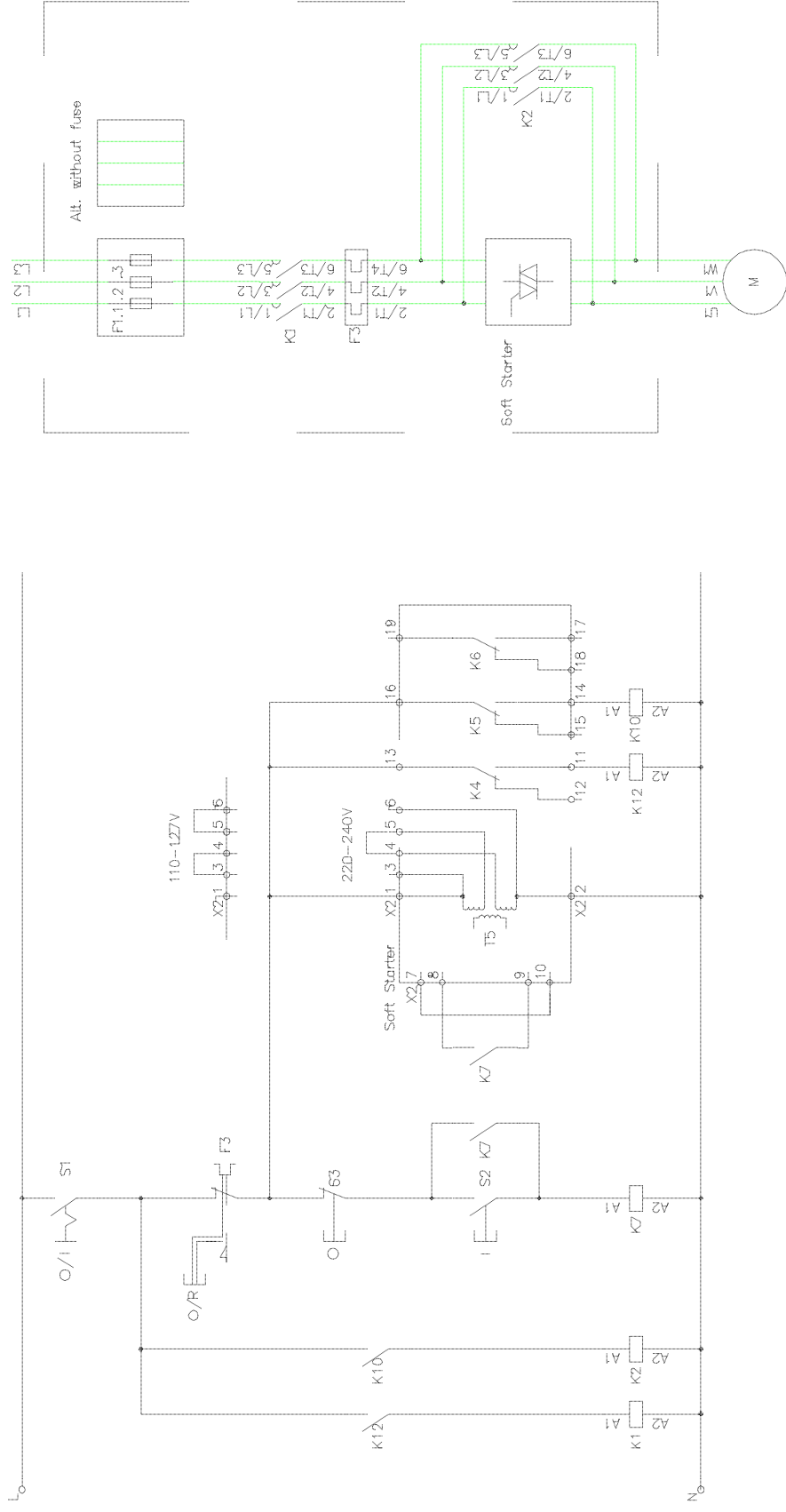
Soft Starter PS D75...300 with motor protection, softstart and By-pass.
 Main contactor open during pause



AJ05-13

I Persson		APPLICATION DIAGRAM		82		1	
I Persson		Soft Starter		5366 105-13		1	
TP		Mjukstartare		ISSUED		1	
Rev int		Appd		SECUR/80 06 05		---	
1		K10 removed, K1, K2 and fuses moved		TP 06 40		---	
		Appd		Rev		Issued	

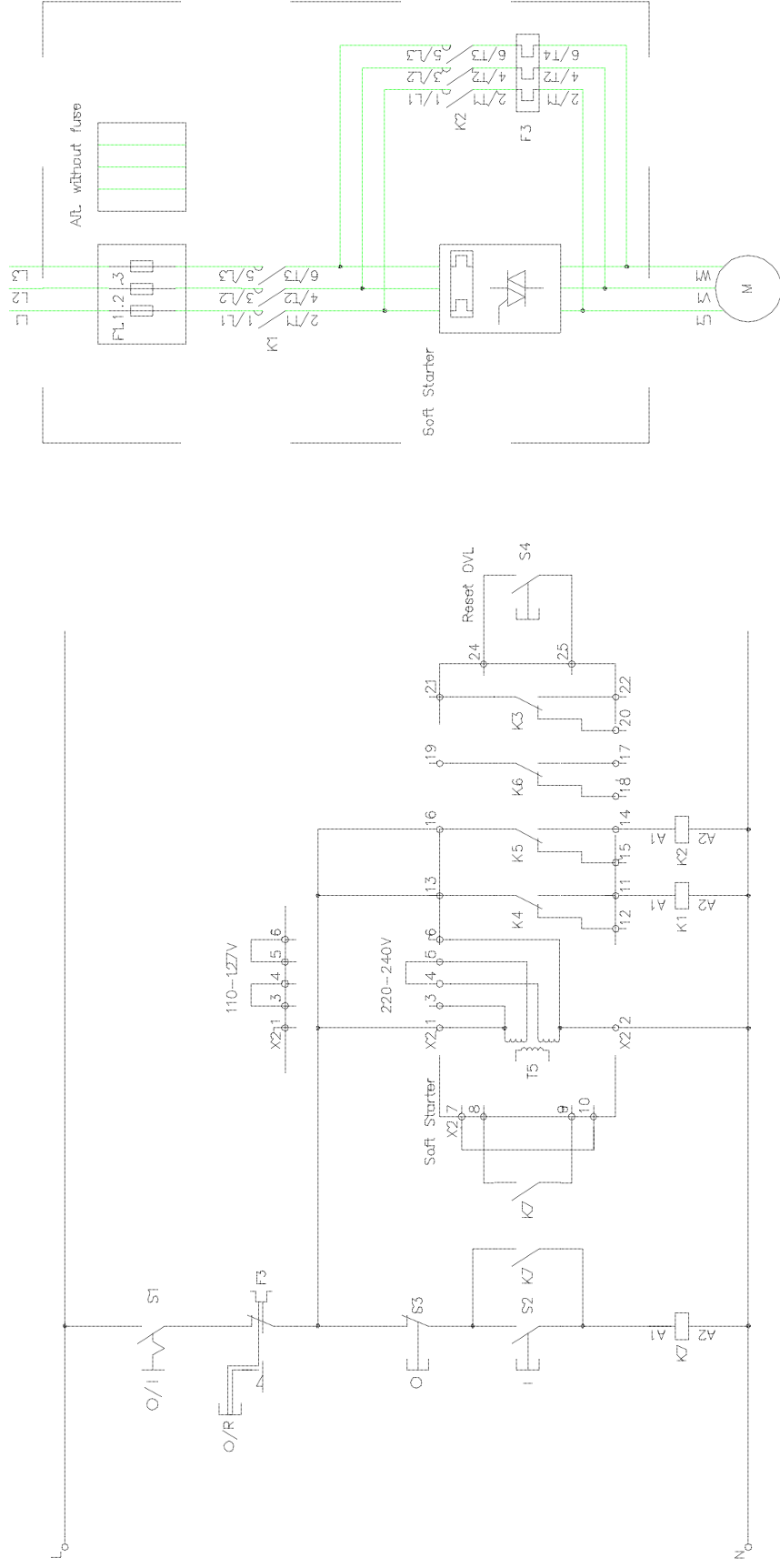
Soft Starter PS D370...840 with motor protection, softstop and By-pass.
 Main contactor open during pause



A105-14

Rev. no.		Appd.	Year	Issue	ISSUED	
1	K12 Insert, and fuses moved	TP	86	40	82	1
					5366 105-14	
					SECUR/80 86 05	
					APPLICATION DIAGRAM	
					Soft Starter	
					Mjpkstartare	
					I Pensson	
					I Pensson	
					TP	

Soft Starter PS D75...145, PS DH30...110 with motor protection, softstop and By-pass.
 Main contactor open during pause



A105-15

Rev	Int	Sheet	5366 105-15	Issued	2
2	K1 and fuses moved	TP	86 40	Appd	Year
1	Adjusted	TP	86 08	Year	Week
Rev	Int	Sheet	5366 105-15	Issued	2
Long	82	Sheet	1	Rev	Int
Cont	1	Cont	2

APPLICATION DIAGRAM

Soft Starter
 Mjukstartare

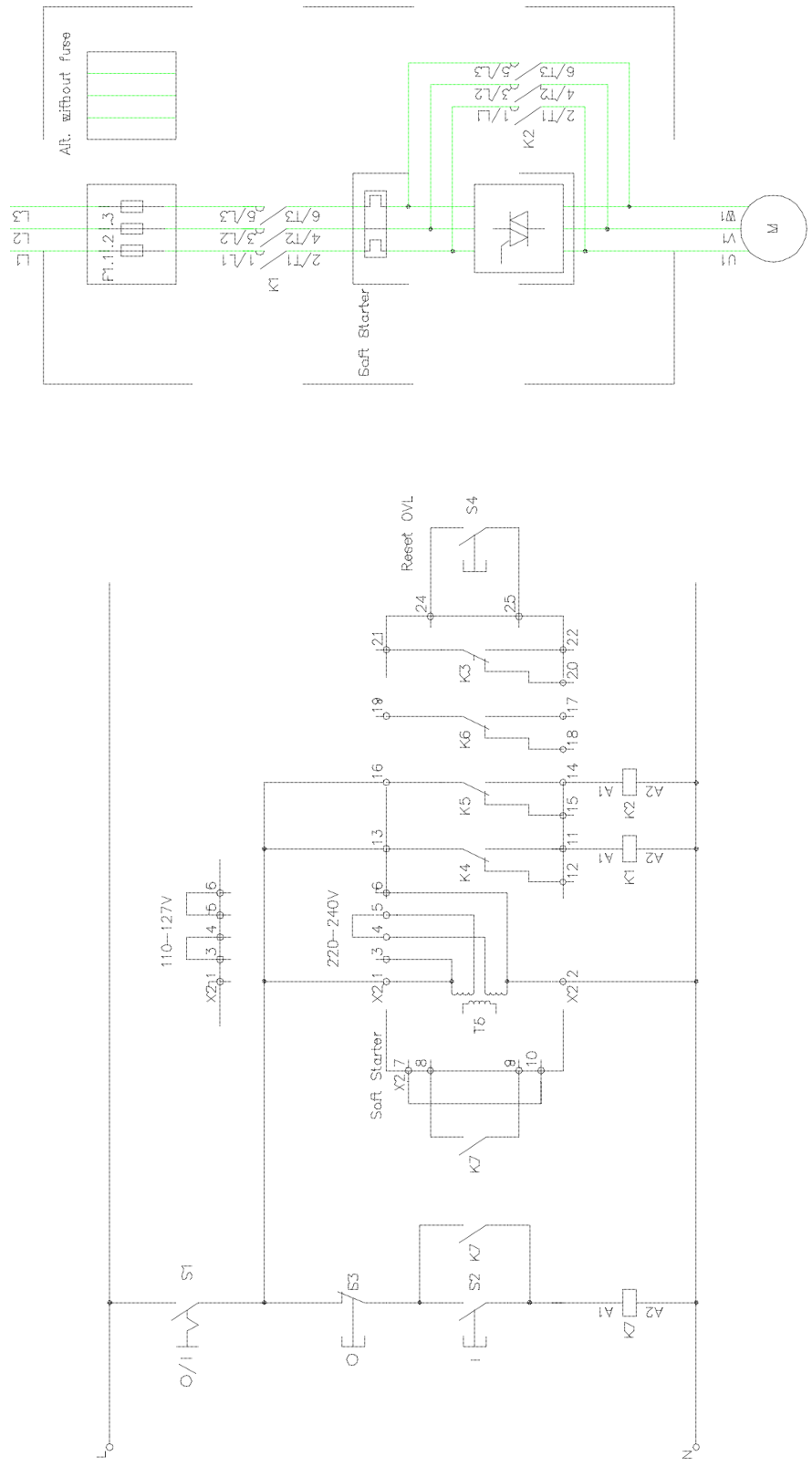


ABB Control

Design checked by
 I. Persson
 Drawing checked by
 I. Persson
 Drawn by
 TP

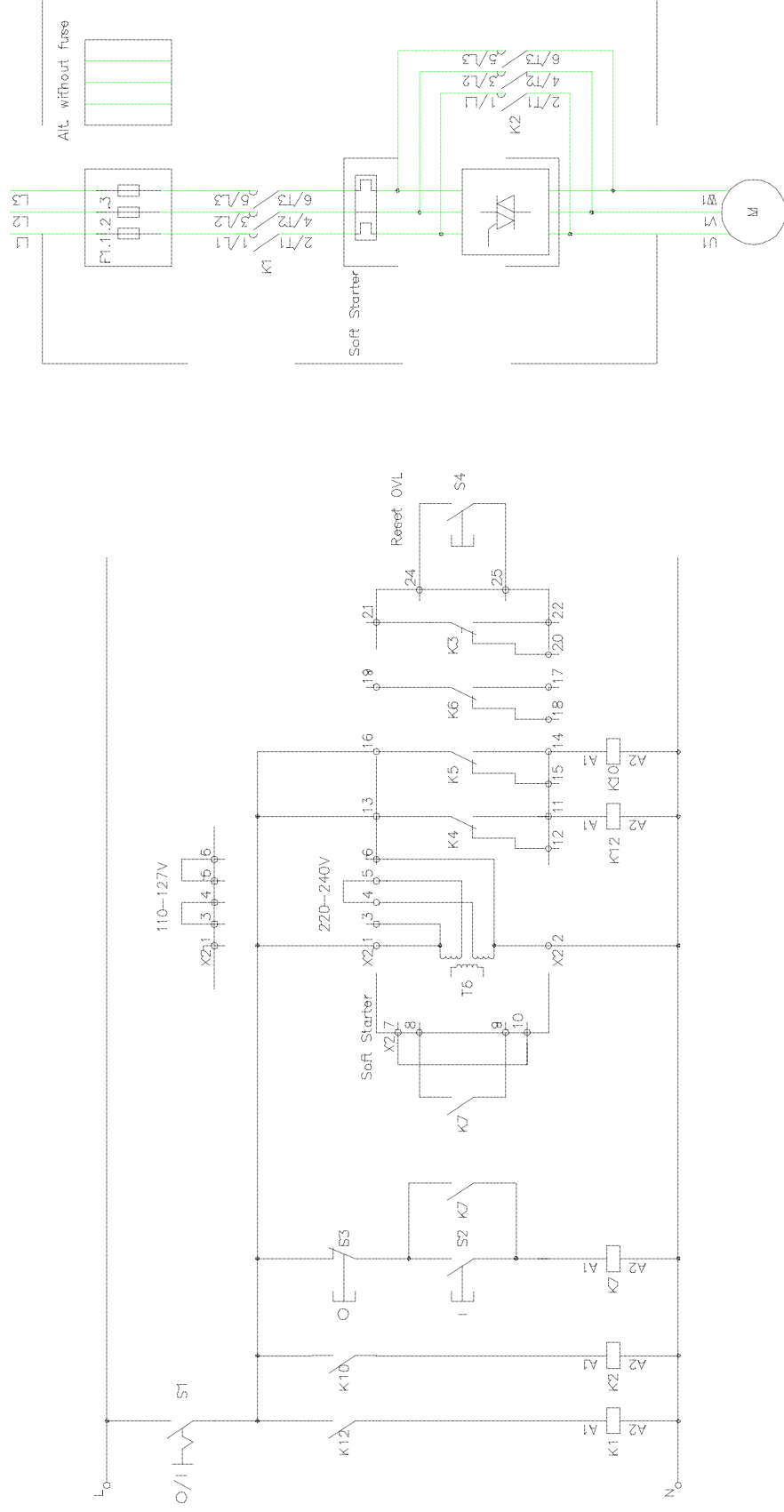
Iss by Dept: Year Week
 STCRU/80 06 05

Soft Starter PS D175...300, PS DH145...250 with motor protection, softstop and By-pass.
 The internal overload relay is working also together with By-pass.
 Main contactor open during pause



		Design checked by I. Pefrssod		APPLICATION DIAGRAM Soft Starter Mjukstortare		Issued by ISSUED		Rev. no. Sheet	
		Drawing checked by I. Pefrssod		ABB Control		5366 105-16		Rev. no. Sheet	
		Drawn by TP		ABB		105-16		Long Sheet	
				Date: 09/06/05				Rev. no. Sheet	
				Year: 05				Long Sheet	
				Week: 05				Rev. no. Sheet	
								Long Sheet	
								Rev. no. Sheet	
								Long Sheet	
								Rev. no. Sheet	
								Long Sheet	

Soft Starter PS D370...840, PS DH300...720 with motor protection, softstop and By-pass.
 The internal overload relay is working also together with By-pass.
 Main contactor open during pause



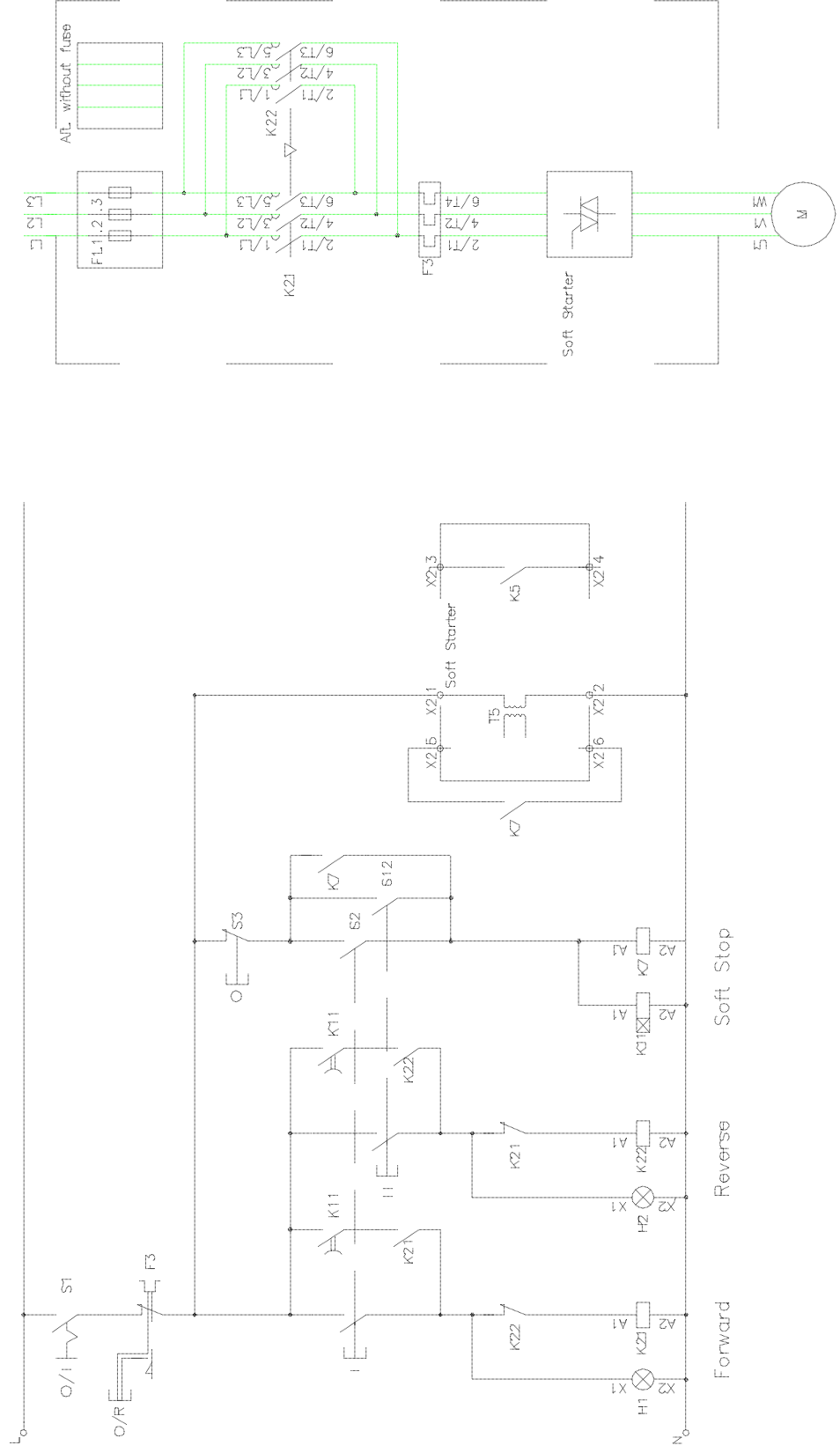
Rev int		1	2	...
2	K12 Insert and fuses moved	TP	96	40
1	Adjusted	TP	96	09
		Appt	Year	Week
Design checked by		APPLICATION DIAGRAM		
Drawing checked by		Soft Starter		
Drawn by		Mikstartare		
TP		ABB Control		
Iss by Dept		SECUR/80 06 05		
ISSUED		5366 105-17		
Rev int		Sheet		
		82		
		Long		
		1		
		Rev int		
		2		
		Cont.		
		...		
		A105-17		

Soft Starter PS A18...60 with reversing and softstop.

To be stopped before reversing.

Start at optional direction.

If softstop is not needed set the time for softstop to 0.5.



A105-18

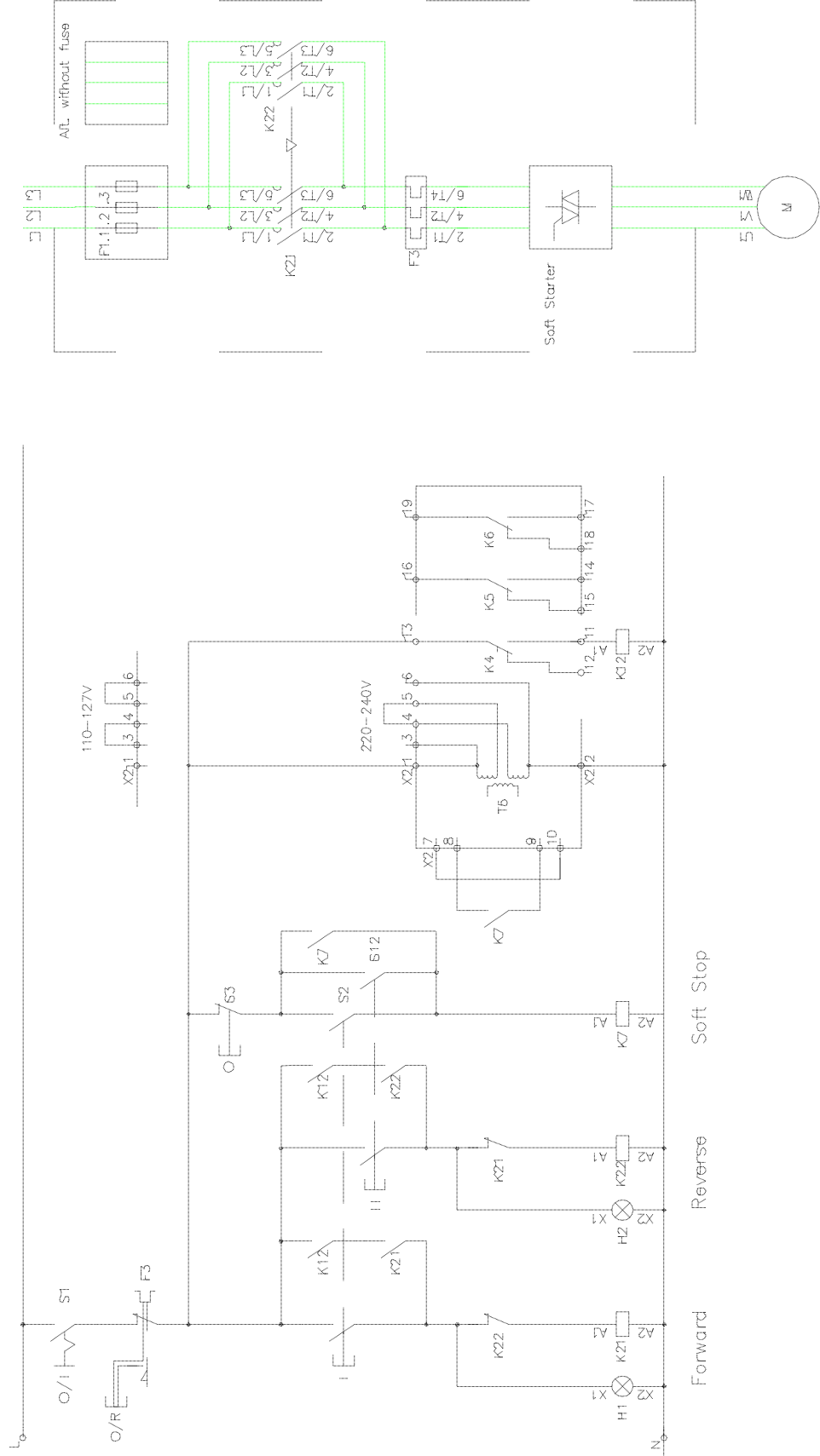
2		Revised	TP	96	42	APPLICATION DIAGRAM		I Perisson		Soft Starter		5366 105-18		82	1
1		Adjusted	TP	96	10	Mjakstartare		I Perisson		Mjakstartare		5366 105-18		2	...
Rev. int.			Appl.	Year	Week	SECORL/80		06		05		ISSUED			

Soft Starter PS D75...300 with reversing and softstop.

To be stopped before reversing.

Start at optional direction.

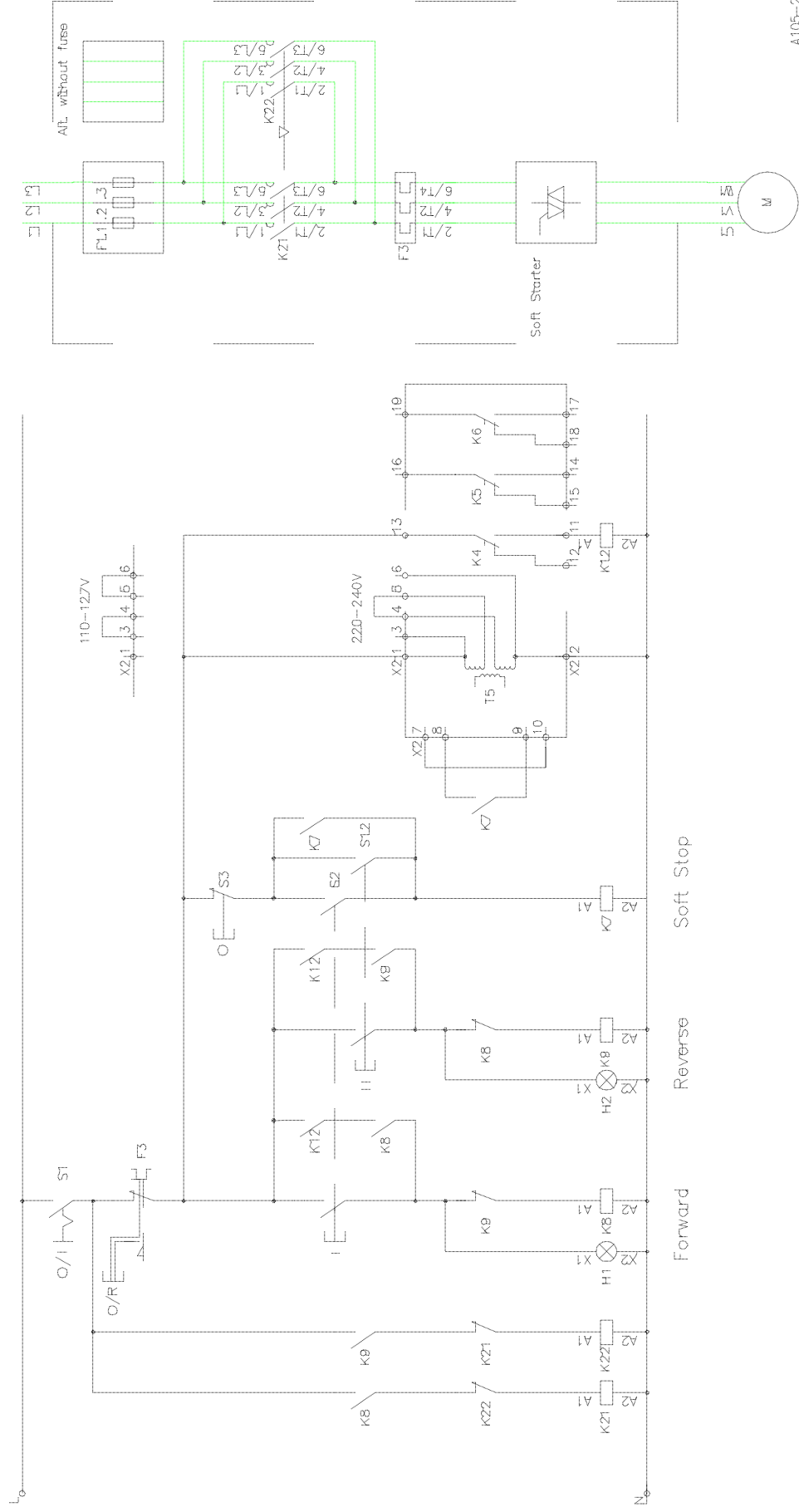
If softstop is not needed set the time for softstop to 0.5.



A105-19

APPLICATION DIAGRAM		Soft Starter		Mjakstartare	
I Perissou		I Perissou		IP	
1	Redrawn	TP	86	42	
Rev. int.		Appt.	Year	Week	
5366 105-19			SECUR/80	06	05
ISSUED			1	82	1

Soft Starter PS D370...840 with reversing and softstop.
 To be stopped before reversing.
 Start at optional direction.
 If softstop is not needed set the time for softstop to 0.5.



A105-20

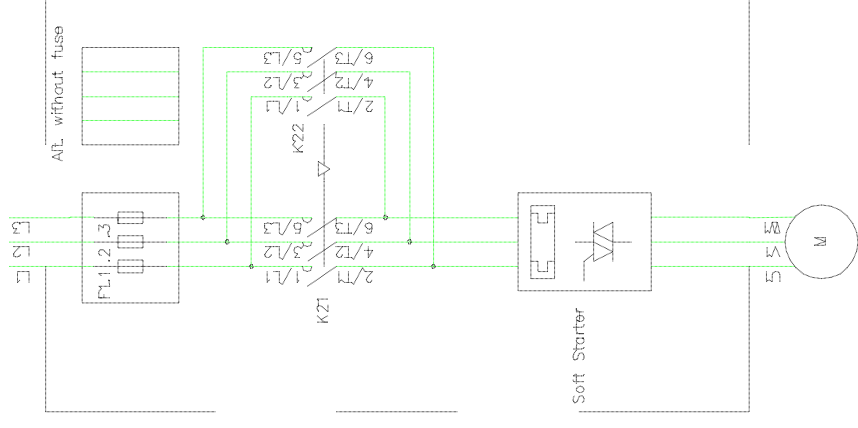
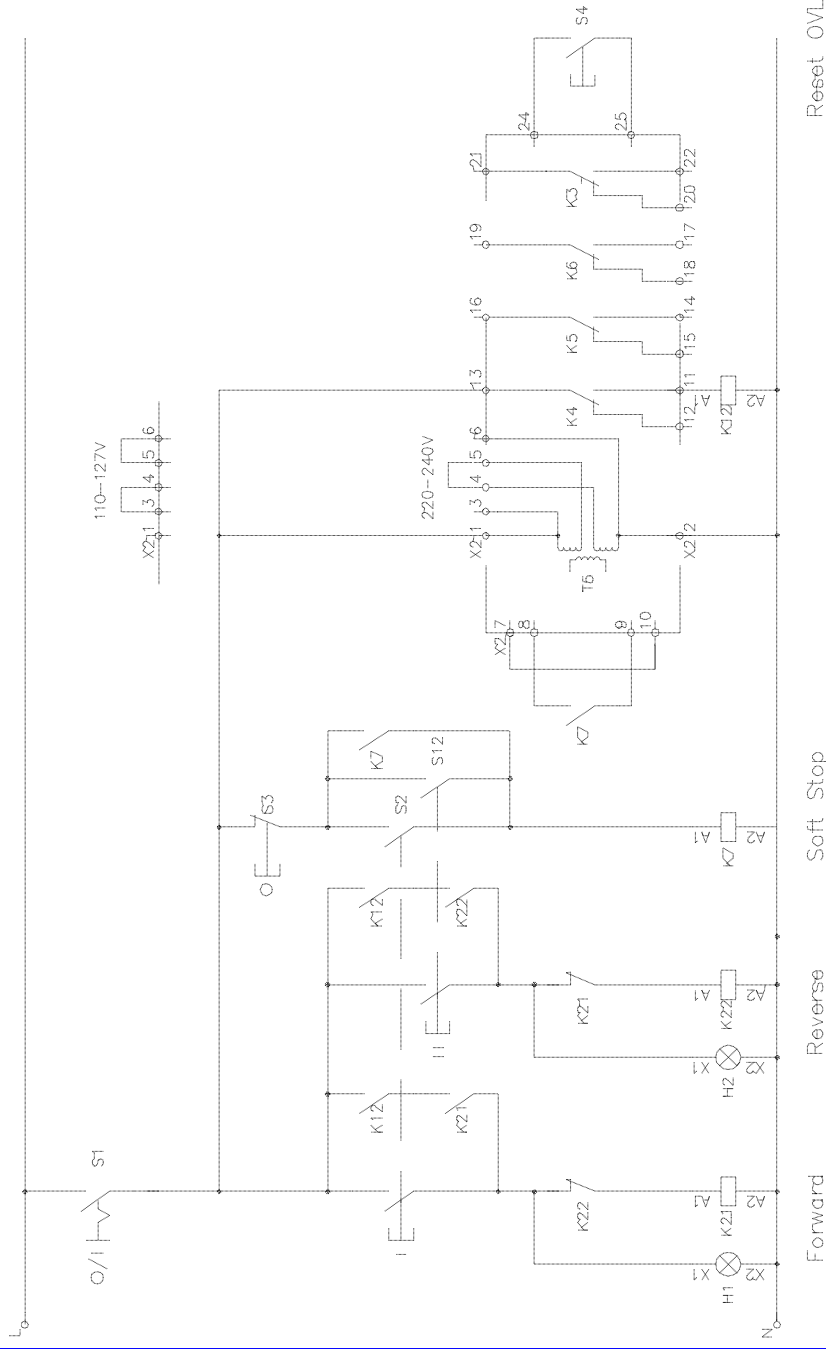
Rev. no.	1	Appd.	86	Year	42	Work	
1	Redrains	TP	86	42			
Design checked by I. Persson Drawing checked by I. Persson Drawn by TP							
APPLICATION DIAGRAM Soft Starter Mjaktstartare							
ABB Control							
Issued by: STORL/BO 05 05							
Rev. no.	1	Rev. no.	1	Long	82	Sheet	1
5366 105-20							
Issued							
Rev. no. Sheet							

Soft Starter PS D75...840, PS DH30...720 with reversing and softstop.

To be stopped before reversing.

Start at optional direction.

If softstop is not needed set the time for softstop to 0.5.



Reset OVL

Soft Stop

Reverse

Forward

A105-21

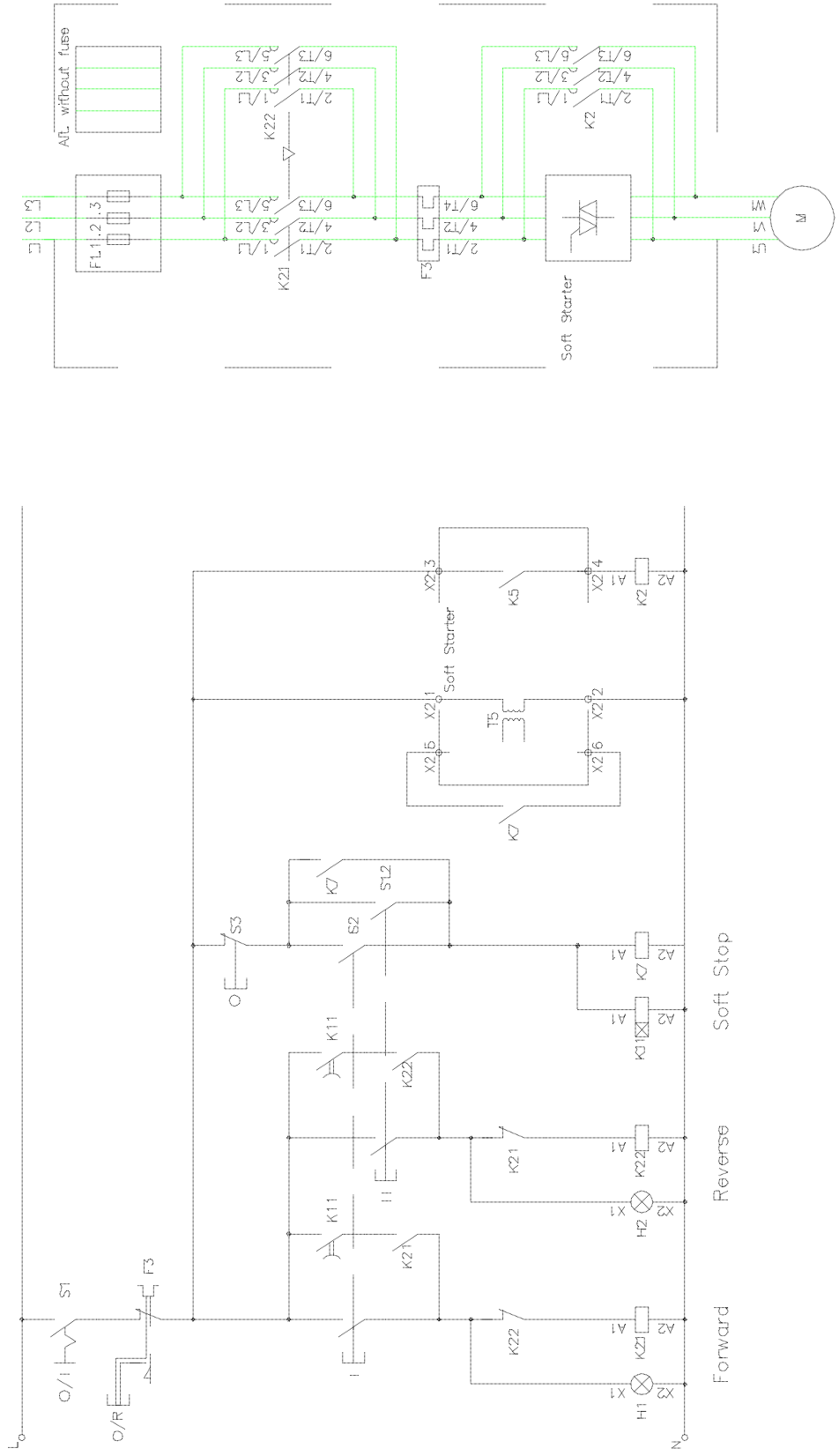
I Persson		APPLICATION DIAGRAM		82		1	
I Persson		Soft Starter		5366 105-21		1	
IP		Mjukstartare		ISSUED		1	
				SECUR/80 06 05			
1	Redrawn	TP	96 42				
Rev int		Appl	Year	Issue			

Soft Starter PS A18...60 with reversing, By-pass and softstop.

To be stopped before reversing.

Start at optional direction.

If softstop is not needed set the time for softstop to 0.5.



A105-22

APPLICATION DIAGRAM

Soft Starter
Mjakstartare

T Perisson

T Perisson

TP

SECUR/80 06 05

ISSUED

5366 105-22

82

1

2

...

2

Revised

TP

96 42

1

Adjusted

TP

96 10

Appt

Year

Week

10

10

10

10

10

10

10

10

10

10

10

10

10

10

10

10

10

10

10

10

10

10

10

10

10

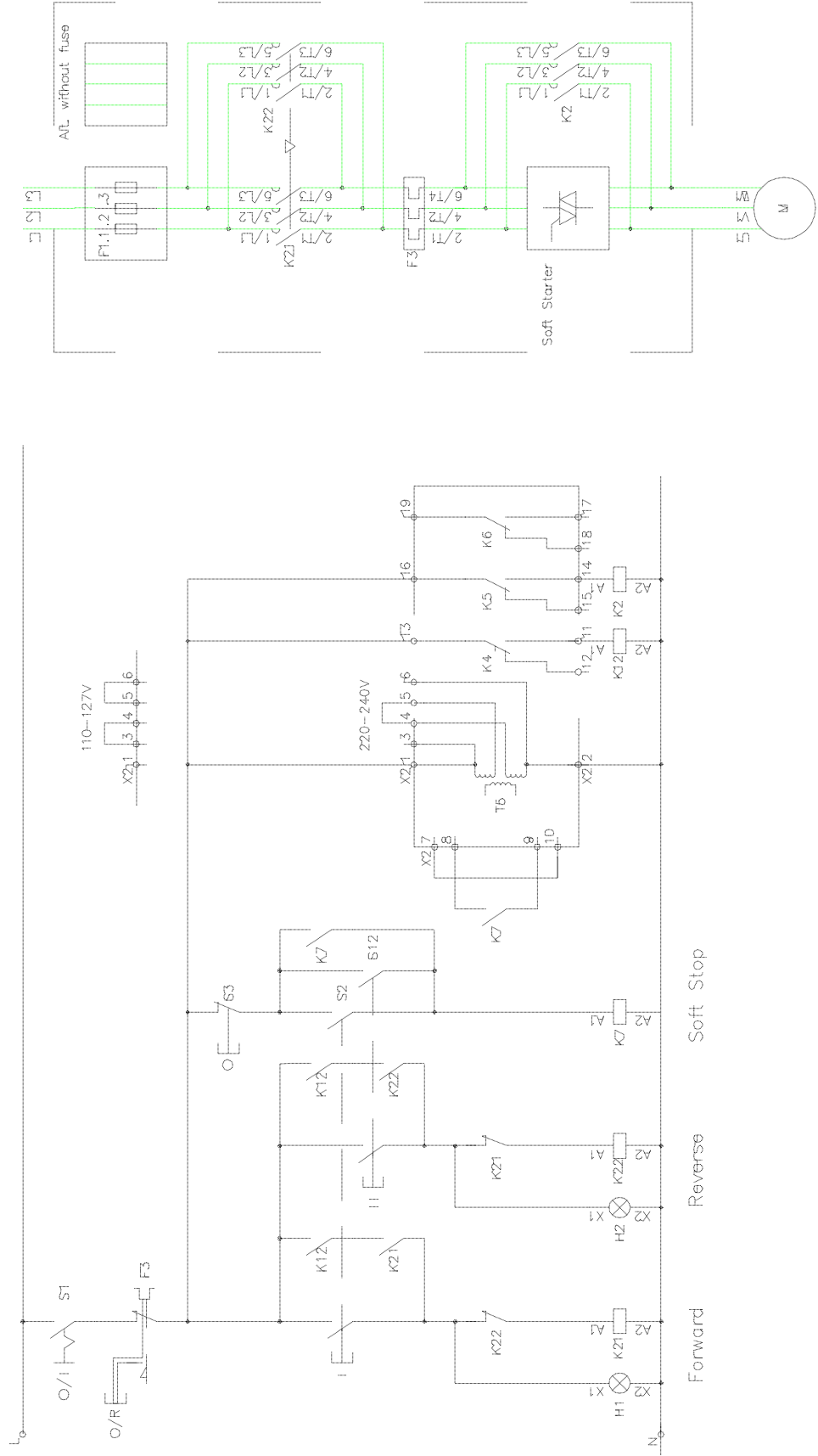
10

10

10

10

Soft Starter PS D75...300 with reversing, By-pass and softstop.
 To be stopped before reversing.
 Start at optional direction.
 If softstop is not needed set the time for softstop to 0.5.



A105-23

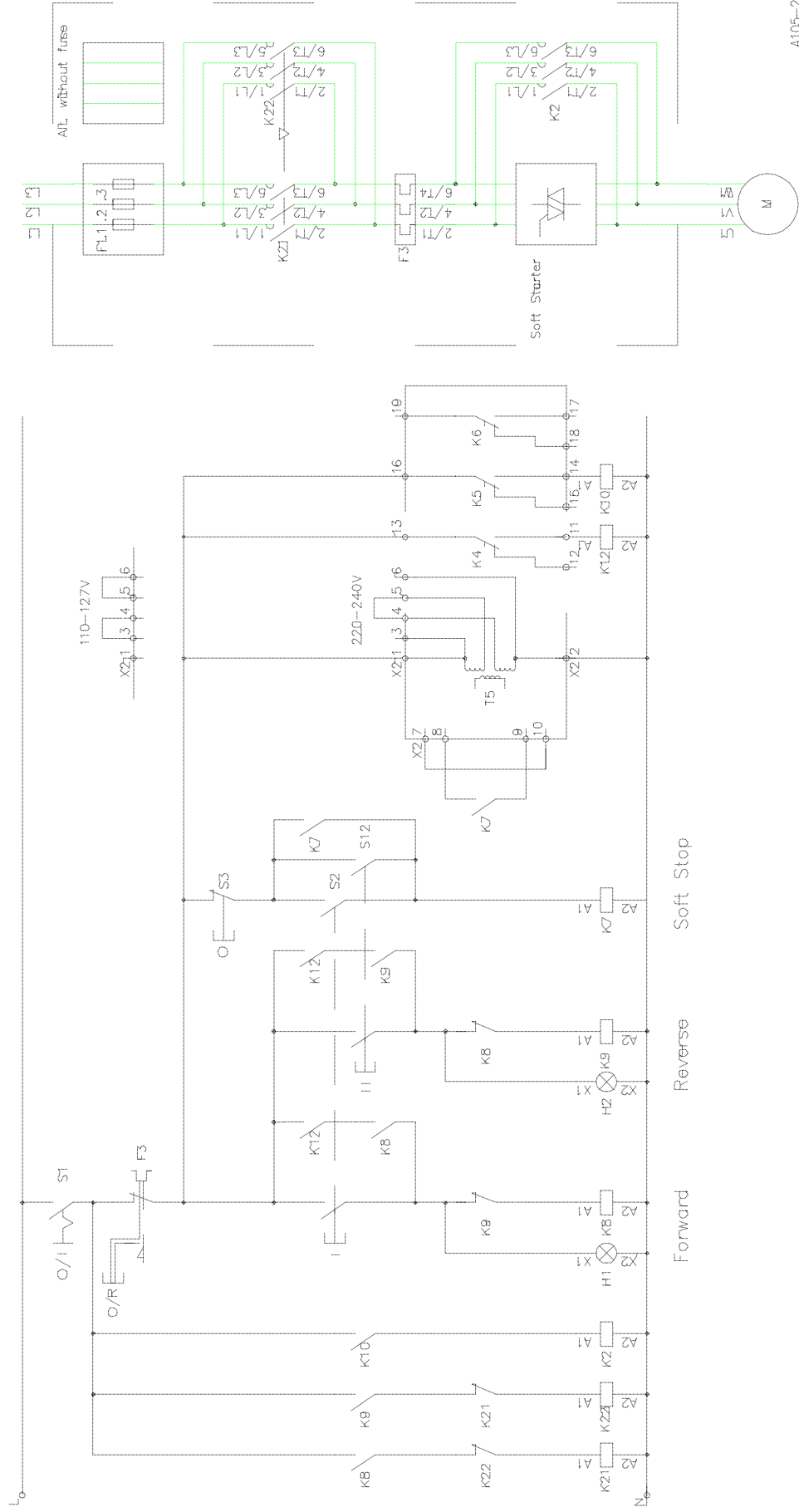
1	Redrawn	TP	96	42	ISSUED	5366 105-23	82	1
	Rev int	Appt	Year	Week				
APPLICATION DIAGRAM						SECUR/80 06 05	1	...
Soft Starter								
Mjakstartare								
I Perissona								
I Perissona								
TP								

Soft Starter PS D370...840 with reversing, By-pass and softstop.

To be stopped before reversing.

Start at optional direction.

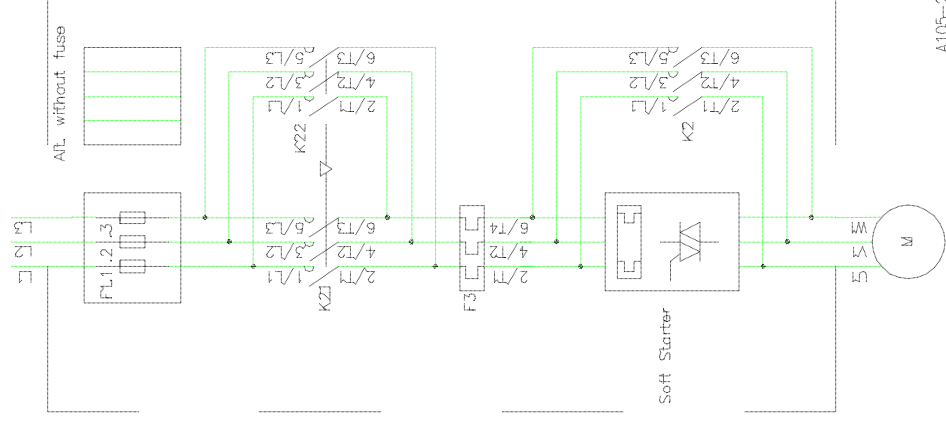
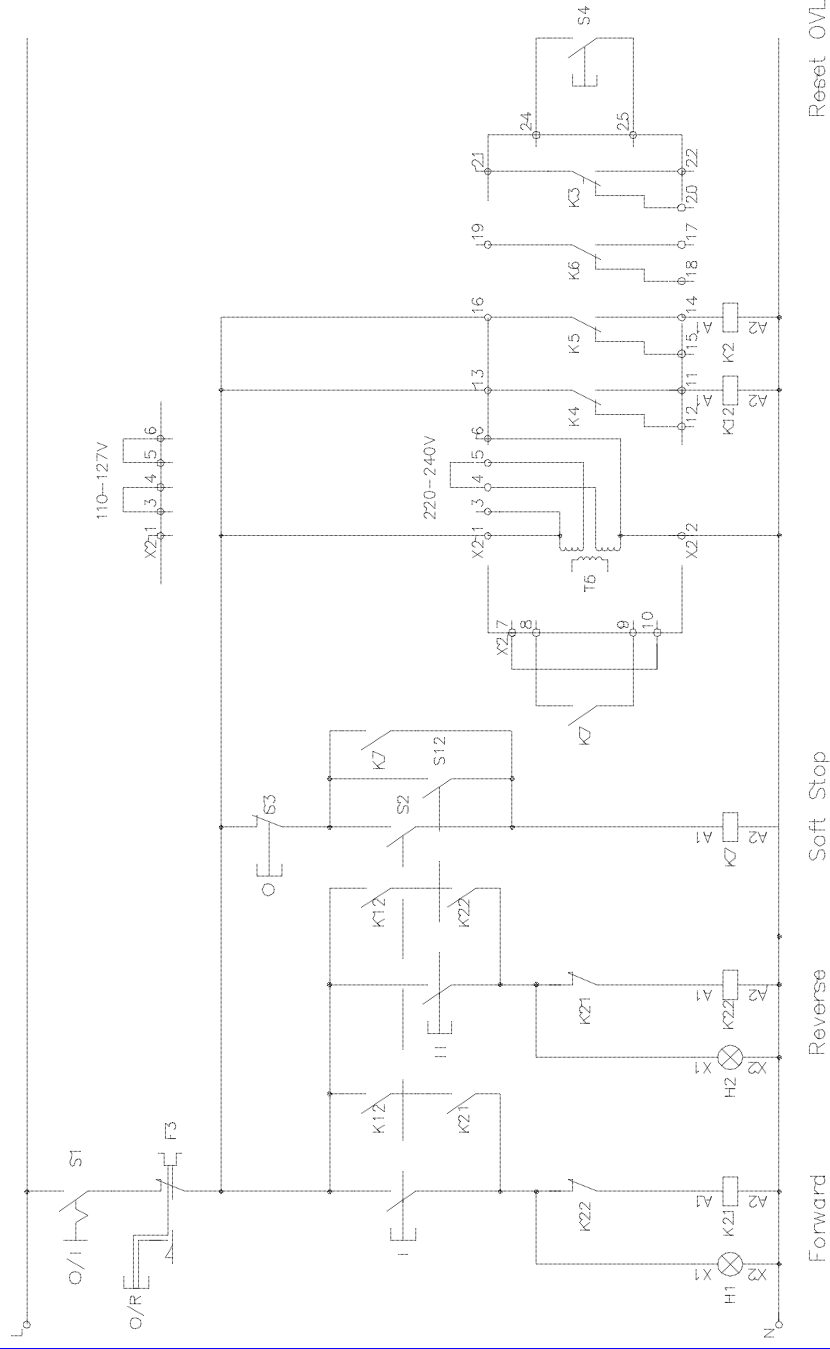
If softstop is not needed set the time for softstop to 0.5.



A105-24

1	Redrawn	TP	86	42	Appd	Year	Issue	ISSUED	5366 105-24	82	1	...
								SECUR/80 06 05				
APPLICATION DIAGRAM								Soft Starter Mjukstartare				
I Persson								I Persson				
I Persson								TP				

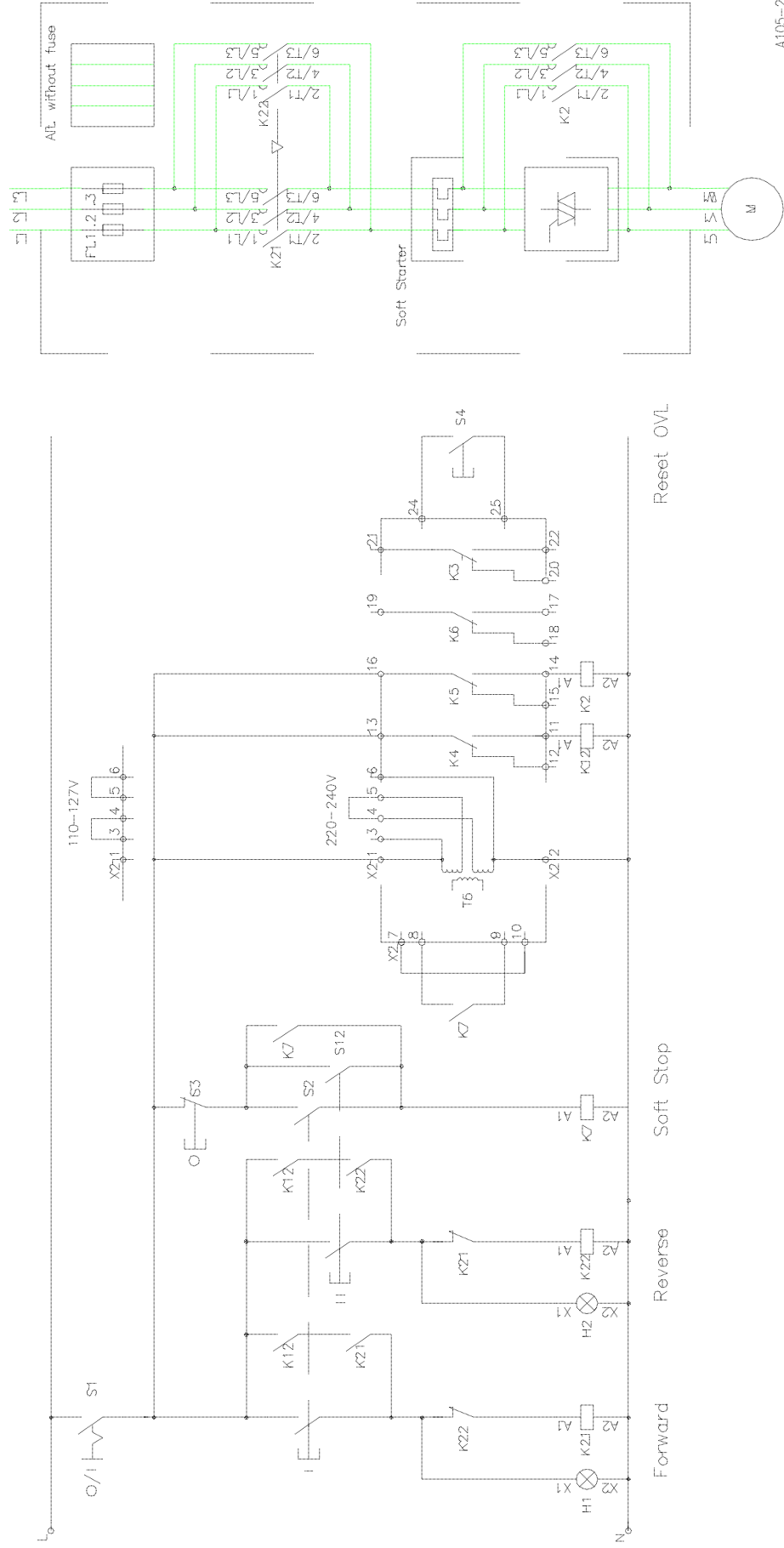
Soft Starter PS D75...145, PS DH30...110 with reversing, By-pass and softstop.
 To be stopped before reversing.
 Start at optional direction.
 If softstop is not needed set the time for softstop to 0.5.



AJ05-26

1		Revised	TP	96	42	Appd	Yor	Issued	82	1	
Rev int											SECUR/80
APPLICATION DIAGRAM						Soft Starter		Mjakstartare		I Perissos	
I Perissos						I Perissos		TP		SECUR/80 06 05	

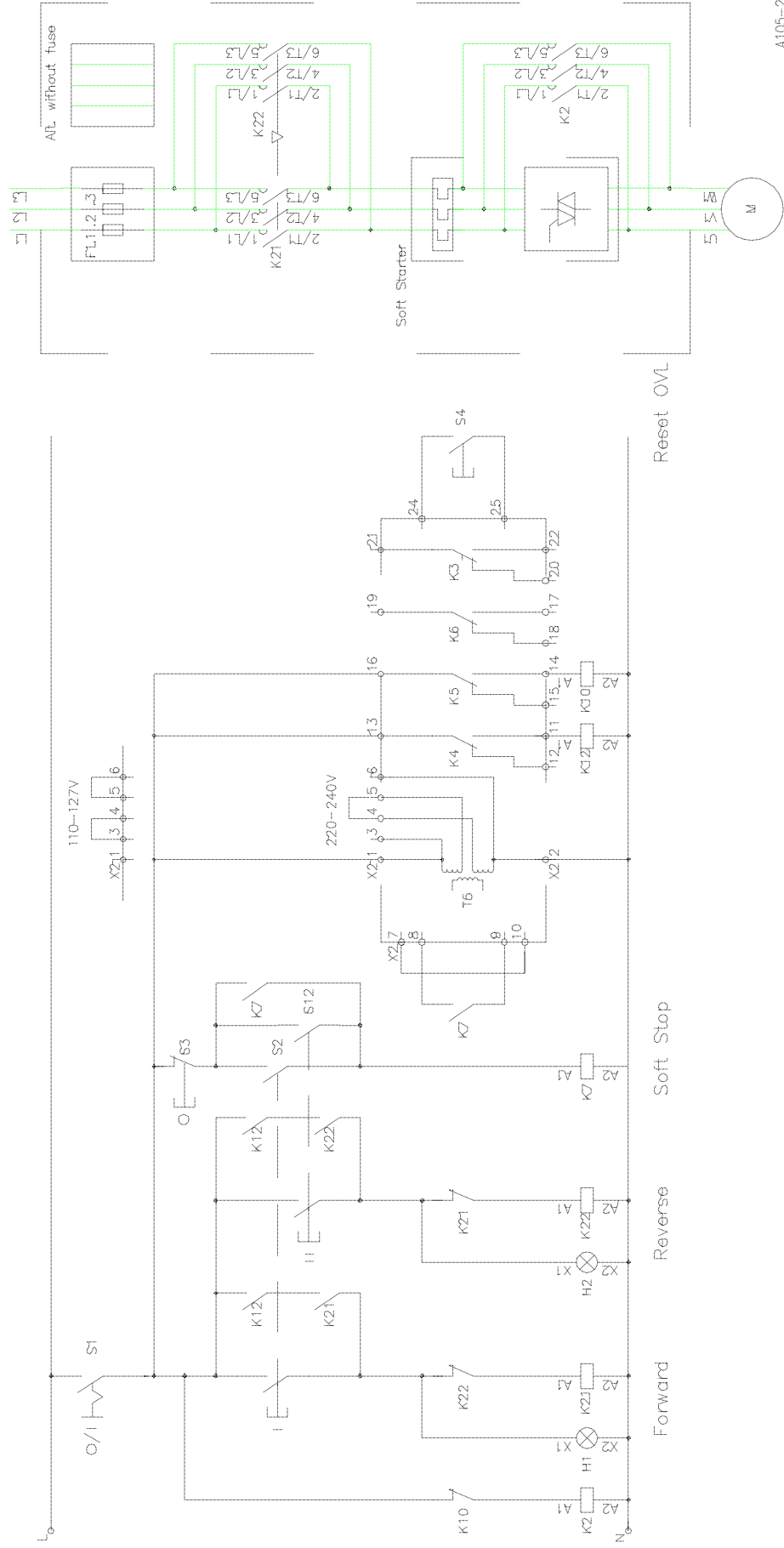
Soft Starter PS D175...300, PS DH145...250 with reversing, By-pass and softstop.
 To be stopped before reversing.
 Start at optional direction.
 If softstop is not needed set the time for softstop to 0.5.
 The internal overload relay is working also together with By-pass.



A105-26

APPLICATION DIAGRAM		I Persson		I Persson		I Persson	
Soft Starter		Soft Starter		Soft Starter		Soft Starter	
Mjukstartare		Mjukstartare		Mjukstartare		Mjukstartare	
TP		TP		TP		TP	
Rev. nr	1	Appr.	96.42	Year		ISSUED	1
						SECUR/80 06 05	82
							5366 105-26
							1
							...

Soft Starter PS D370...840, PS DH300...720 with reversing, By-pass and softstop.
 To be stopped before reversing.
 Start at optional direction.
 If softstop is not needed set the time for softstop to 0.5.
 The internal overload relay is working also together with By-pass.



A105-27

APPLICATION DIAGRAM		I Perissos		I Perissos		I Perissos		TP		SECUR/80 06 05		ISSUED	
Soft Starter		Soft Starter		Mjpkstartare						5366 105-27		82 1	
												1	
												...	

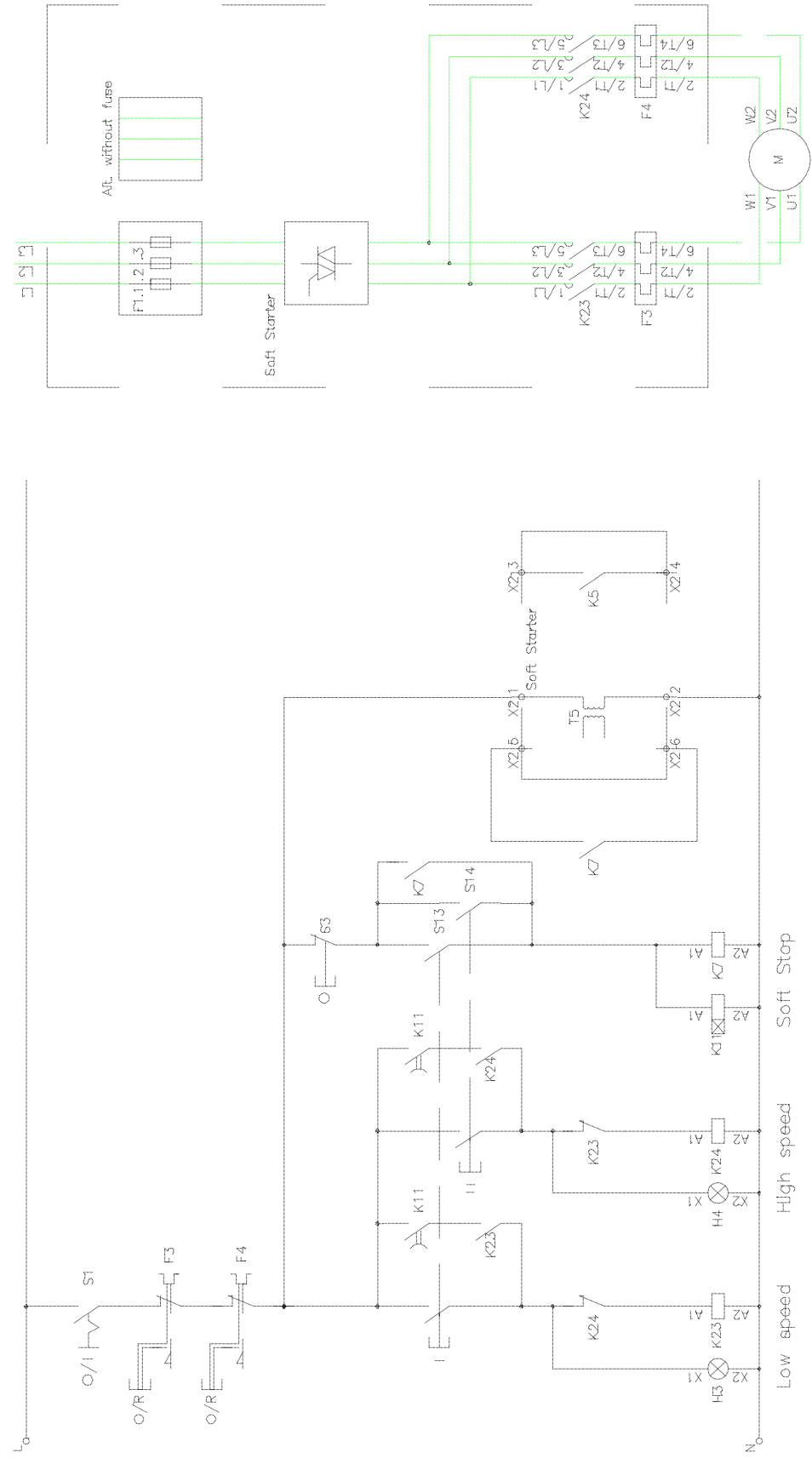
Rev: 01

App: 96 42

Year: 1996

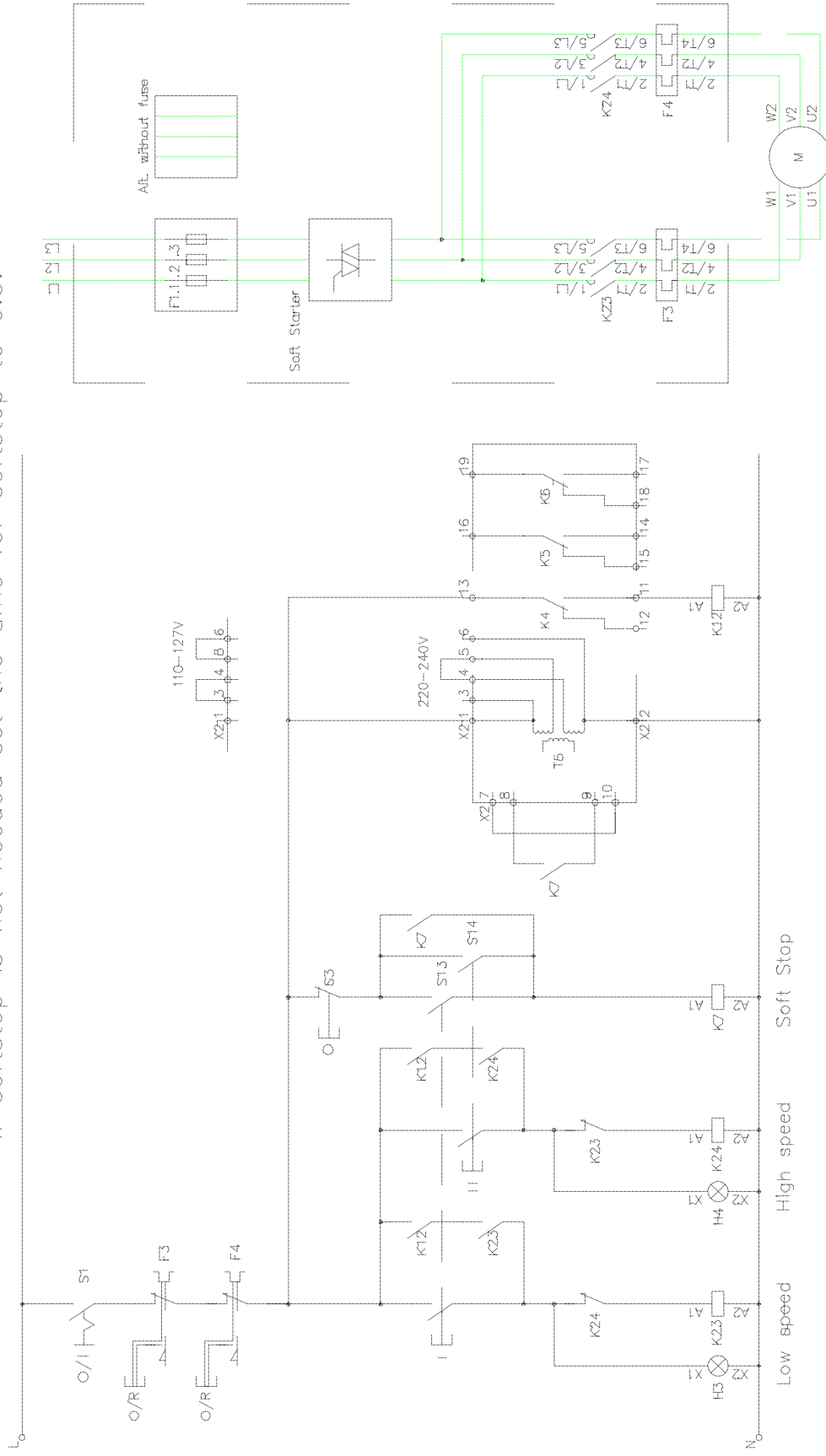
Week: 42

Soft Starter PS A18...60 with pole-changing and softstop.
 To be stopped before change of speed.
 Start at optional speed.
 For motor with two winding.
 If softstop is not needed set the time for softstop to 0.5.



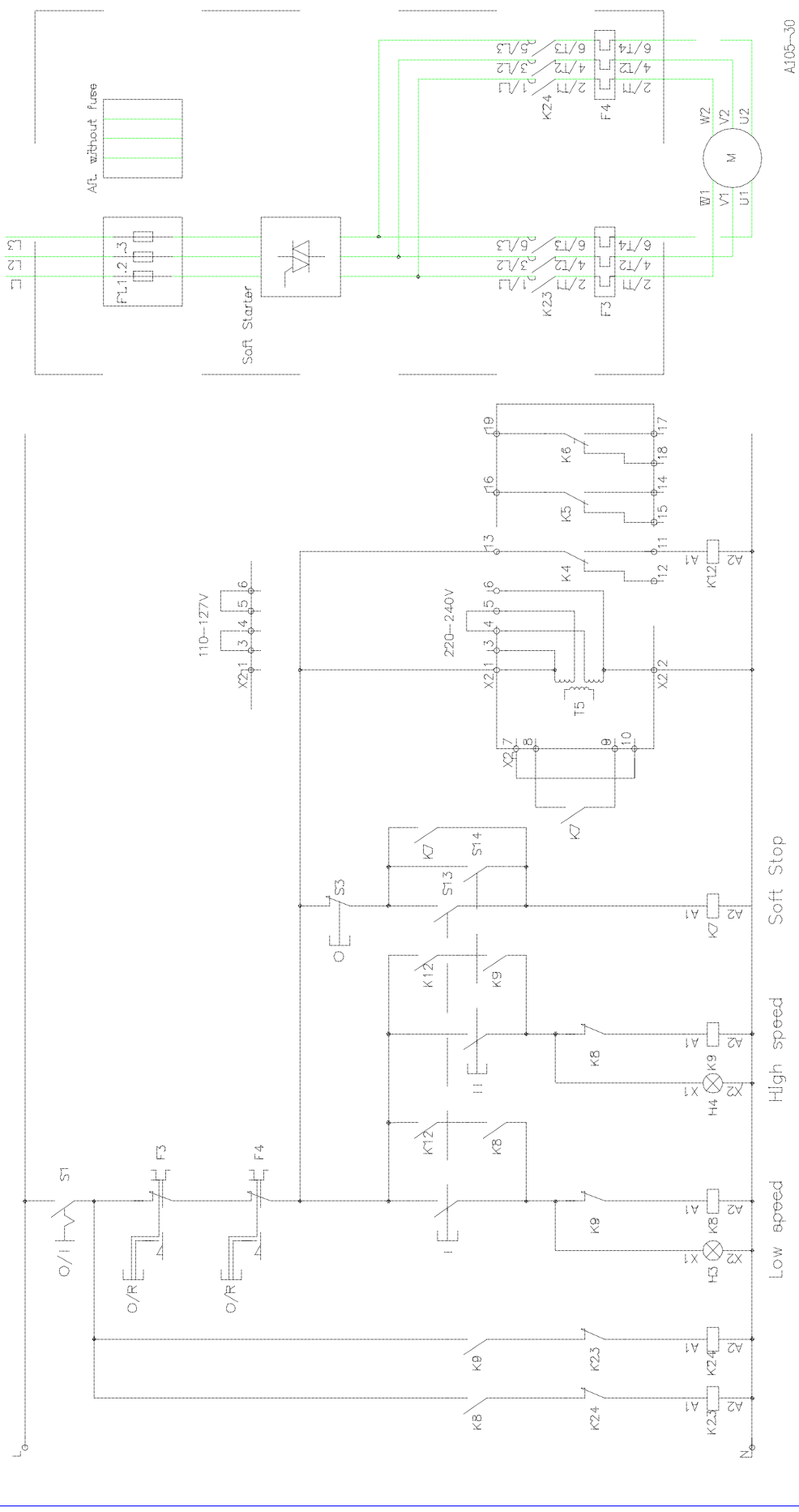
Rev. int.	Appt.	Year	Week	ISSUED	5366 105-28	Rev. int.	Sheet	1	
							Long	82	
							Rev. int.	Cont.	
								...	
Design checked by I. Pajrsson				APPLICATION DIAGRAM Soft Starter Mjukstartare				Rev. int. Sheet 82 1	
Drawing checked by I. Pajrsson				ABB Control				Rev. int. Cont. ...	
Drawn by TP				ABB				Rev. int. Cont. ...	
Date 06/06/02				Year Week 06 42				Rev. int. Cont. ...	

Soft Starter PS D75...300 with pole-changing and softstop.
 To be stopped before change of speed.
 Start at optional speed.
 For motor with two winding.
 If softstop is not needed set the time for softstop to 0.5.



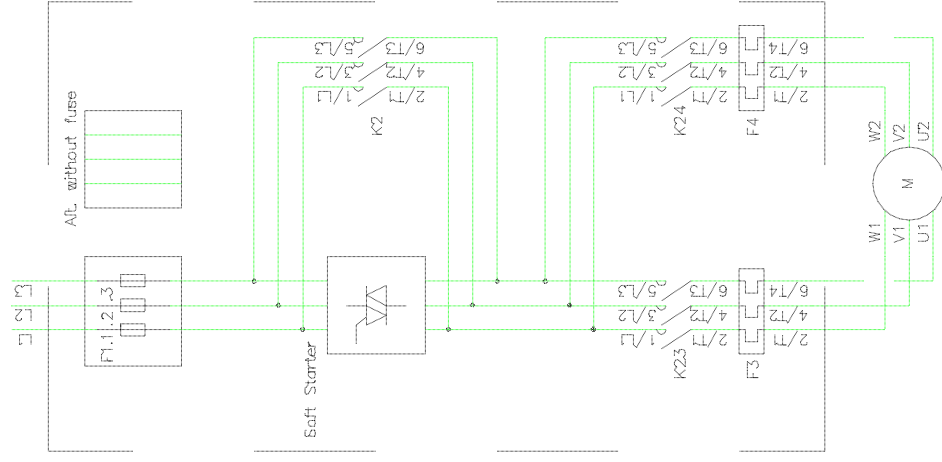
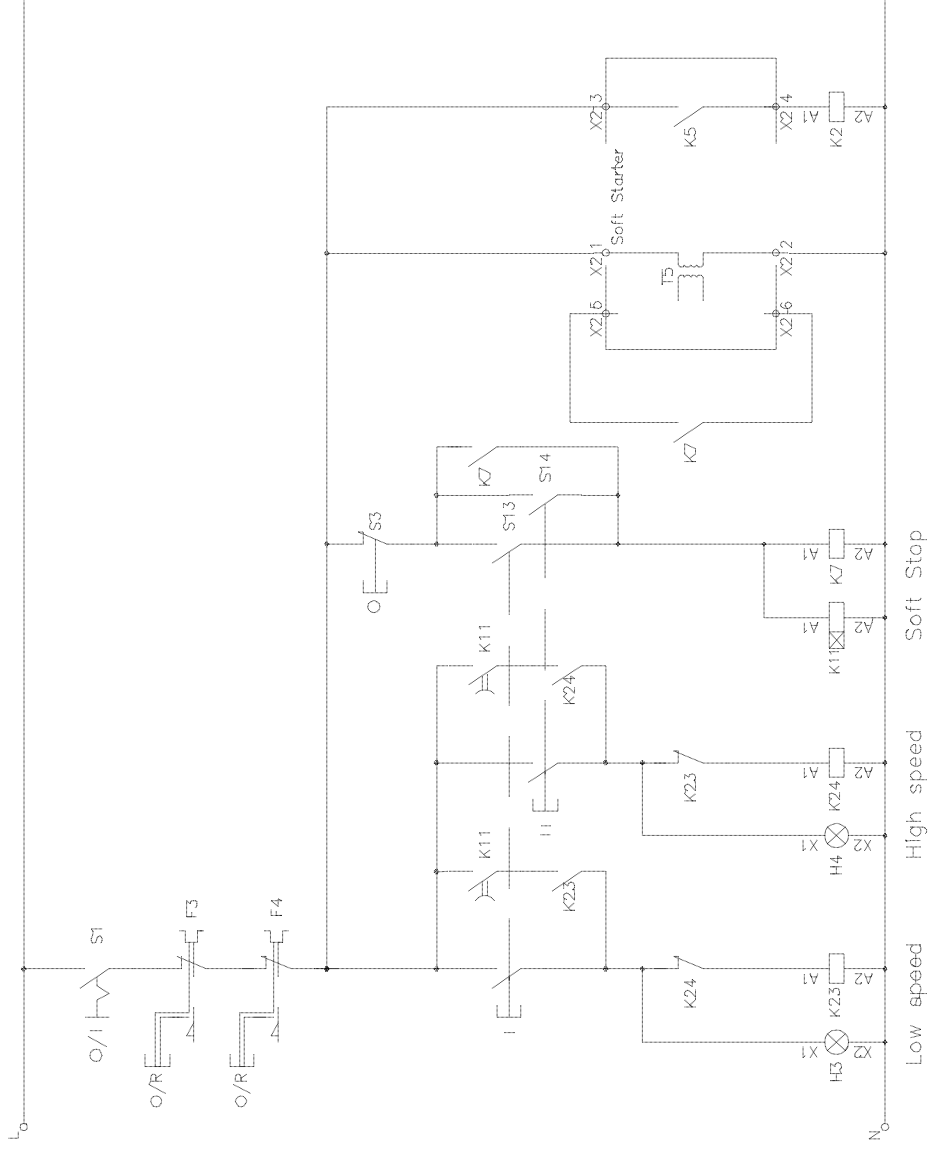
Rev int		Appd	Year	Week
Rev int		ISSUED		
5366 105-29				
Rev int Sheet				
Long Sheet				
Rev int Cont				
...				
A105-29				
APPLICATION DIAGRAM				
Soft Starter				
Mikrostartere				
ABB Control				
Iss by Dept Year Week				
SECUR/80 06 42				
Design checked by				
I Perissod				
Drawing checked by				
I Perissod				
Drawn by				
TP				

Soft Starter PS D370...840 with pole-changing and softstop.
 To be stopped before change of speed.
 Start at optional speed.
 For motor with two winding.
 If softstop is not needed set the time for softstop to 0.5.



Rev. int.	Appl.	Year	Issue	SECUR/80 06 42	ISSUED	82	1	...
						5366 105-30		
				APPLICATION DIAGRAM				
				Soft Starter				
				Mjakstartare				
				I Perissos				
				I Perissos				
				IP				

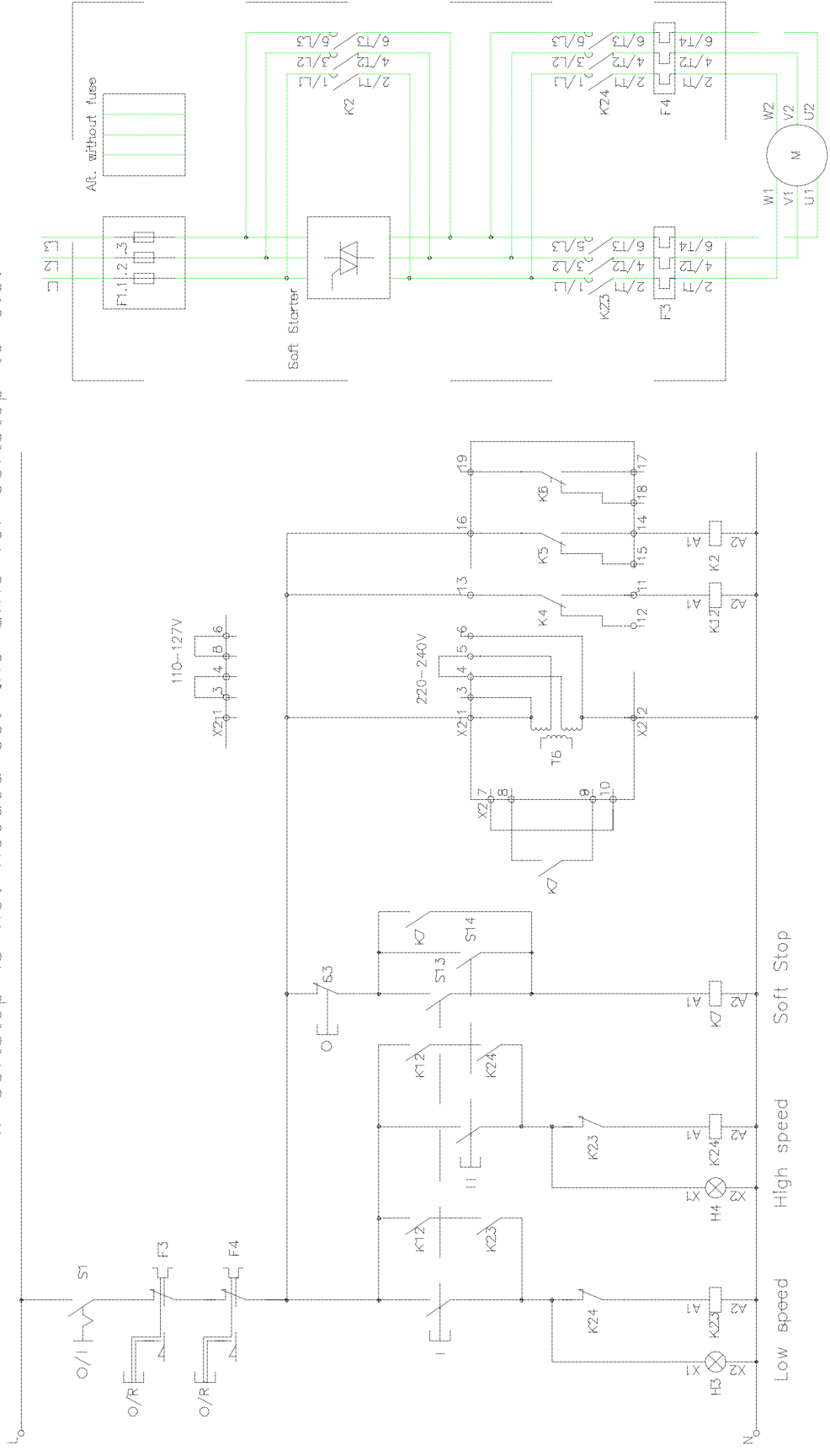
Soft Starter PS A18...60 with pole-changing, By-pass and softstop.
 To be stopped before change of speed.
 Start at optional speed.
 For motor with two winding.
 If softstop is not needed set the time for softstop to 0.5.



A105-31

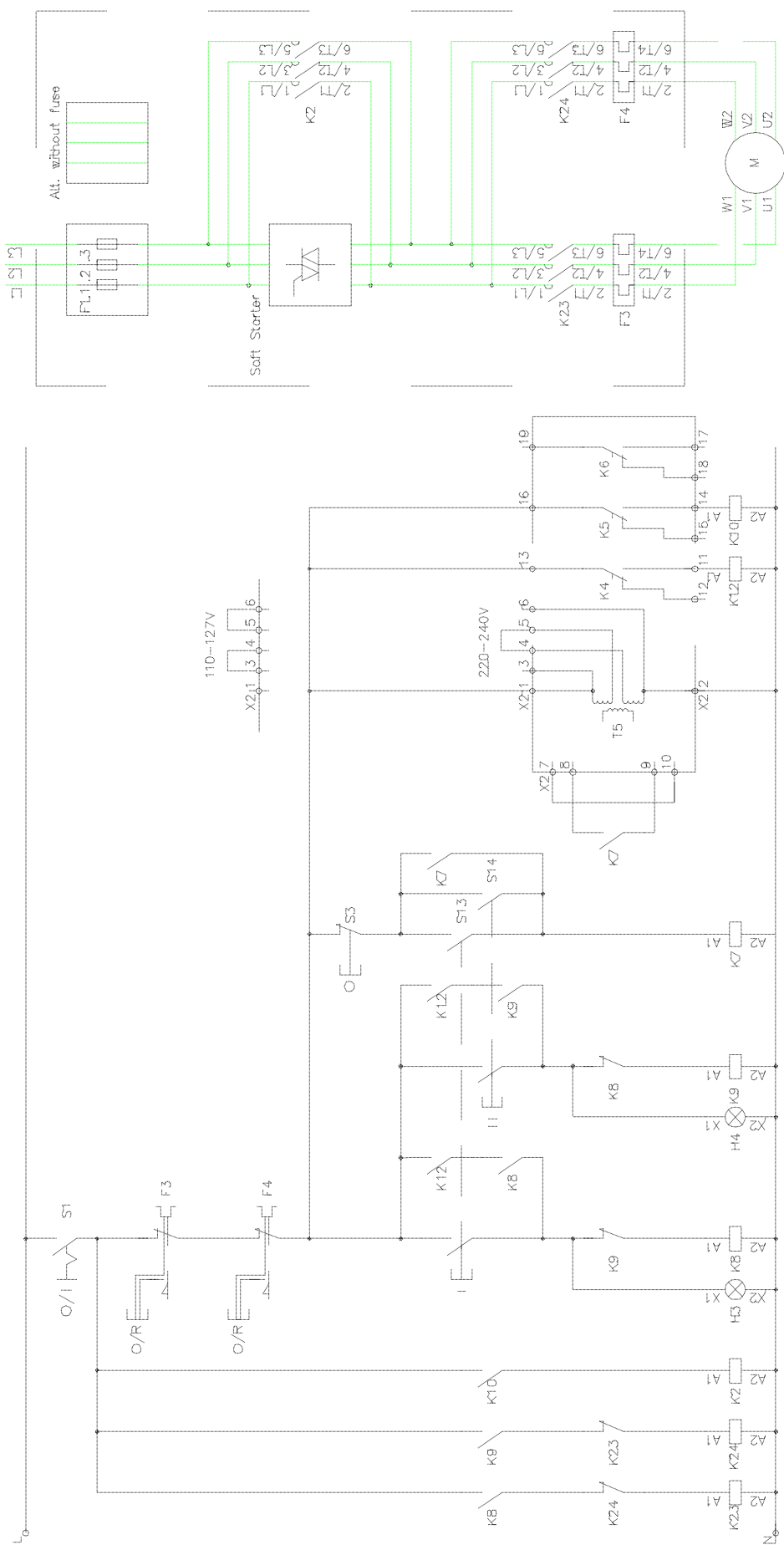
Rev. no.	Appt.	Year	Week	APPLICATION DIAGRAM		ISSUED	1	82	5366 105-31
				T Persson	Soft Starter				
				T Persson	Mjukstartare				
				TP					

Soft Starter PS D75...300 with pole-changing, By-pass and softstop.
 To be stopped before change of speed.
 Start at optional speed.
 For motor with two winding.
 If softstop is not needed set the time for softstop to 0.5.



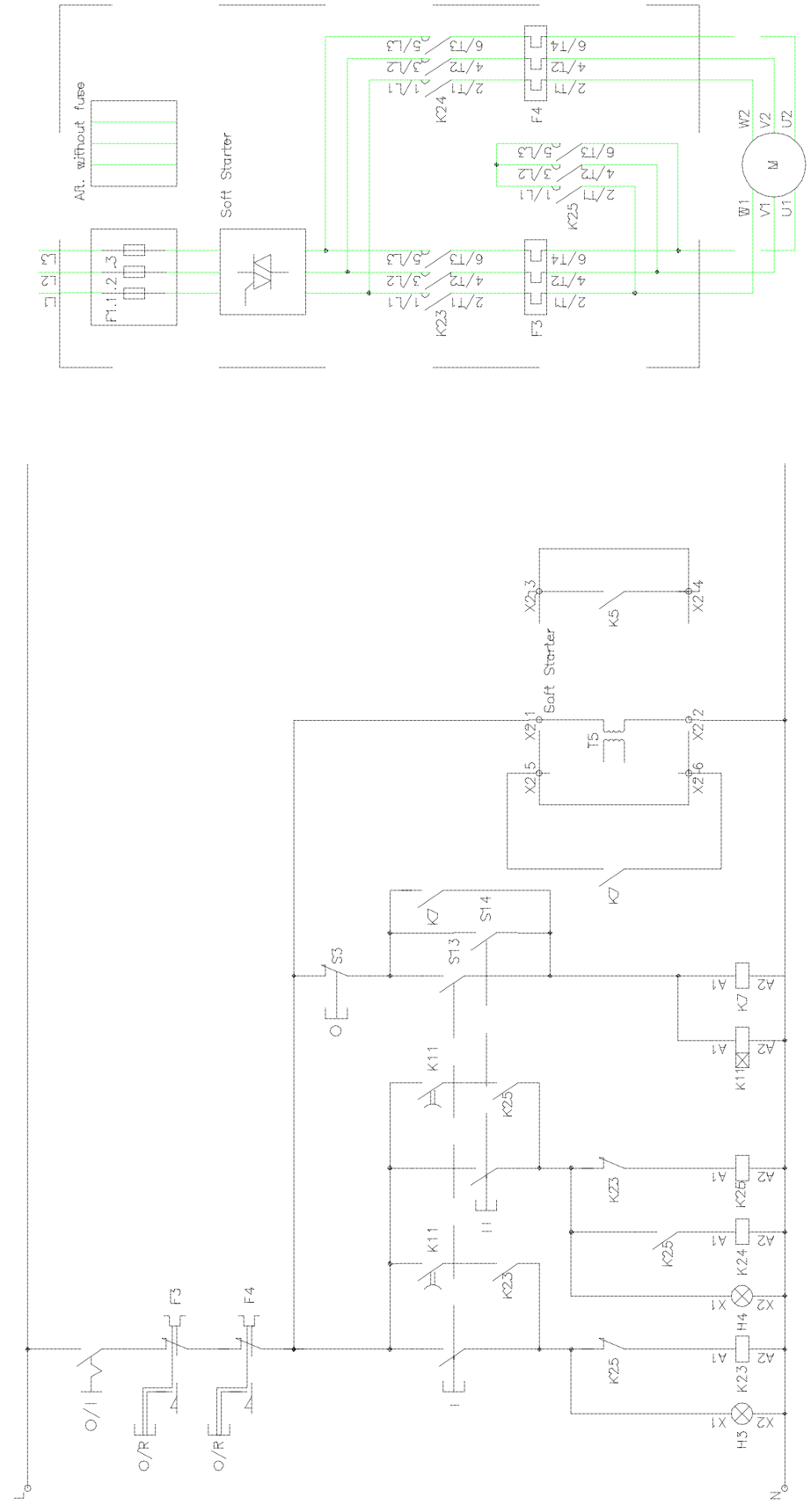
Rev. no.	1	5366 105-32	ISSUED	Rev. no.	...
Long	82			Rev. no.	1
Year	06			Year	...
Month				Month	
Day				Day	
By		ABB Control		By	
Drawn				Drawn	
Checked				Checked	
Appr.				Appr.	
Rev. no.				Rev. no.	

Soft Starter PS D370...840 with pole-changing, By-pass and softstop.
 To be stopped before change of speed.
 Start at optional speed.
 For motor with two winding.
 If softstop is not needed set the time for softstop to 0.5.



A105-33	
5366 105-33	ISSUED
SECUR/80 06 42	1
APPLICATION DIAGRAM	...
Soft Starter	
Mjakstartare	
T Perisson	
T Perisson	
TP	
Rev. int	Appt. Year /Week

Soft Starter PS A18...60 with pole-changing and softstop.
 To be stopped before change of speed.
 Start at optional speed.
 For motor with one winding (Dahlander).
 If softstop is not needed set the time for softstop to 0.5.

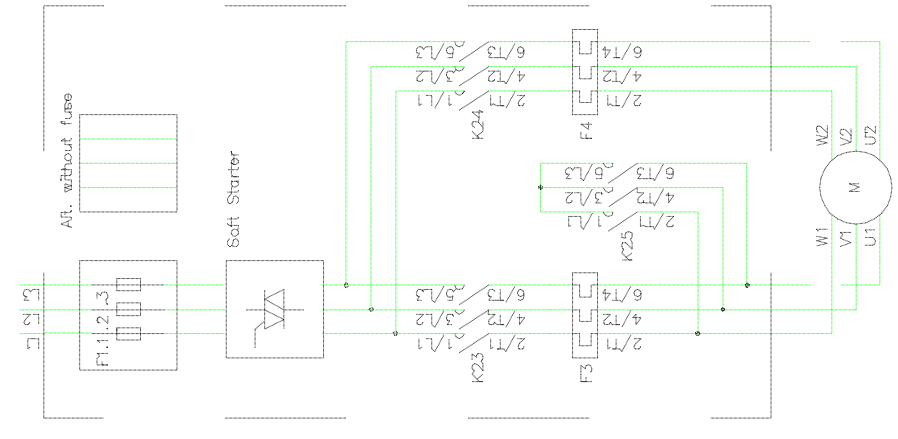
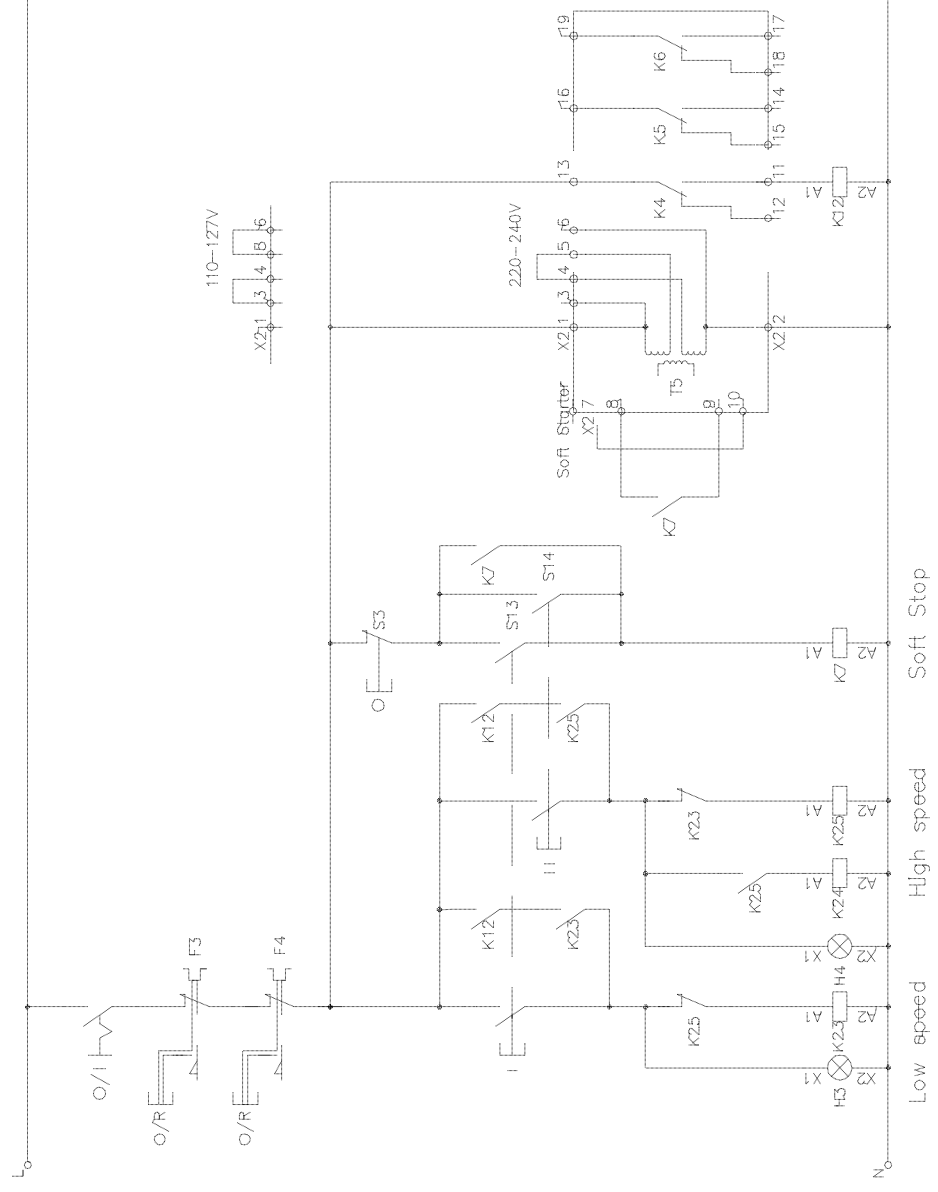


Low speed High speed Soft Stop

A105-34

Rev. int.	Appt.	Year	Week	ISSUED	82	1
				SECUR/80 06 42	5366 105-34	
APPLICATION DIAGRAM				Soft Starter		
I Persson				Mjukstartare		
I Persson						
TP						

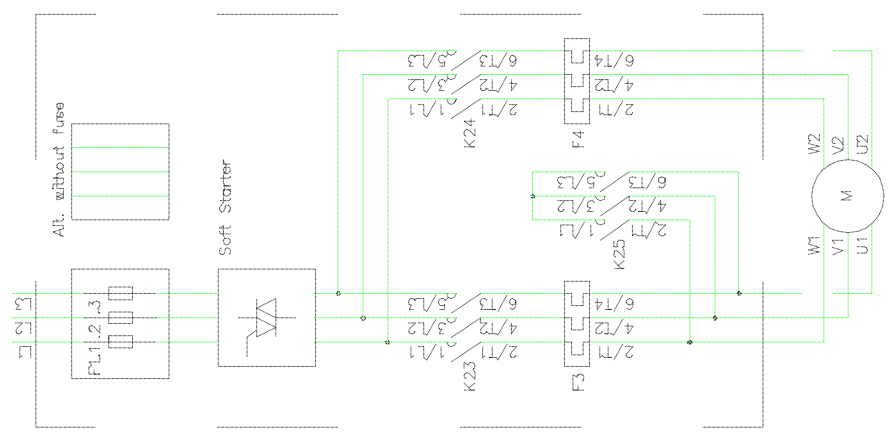
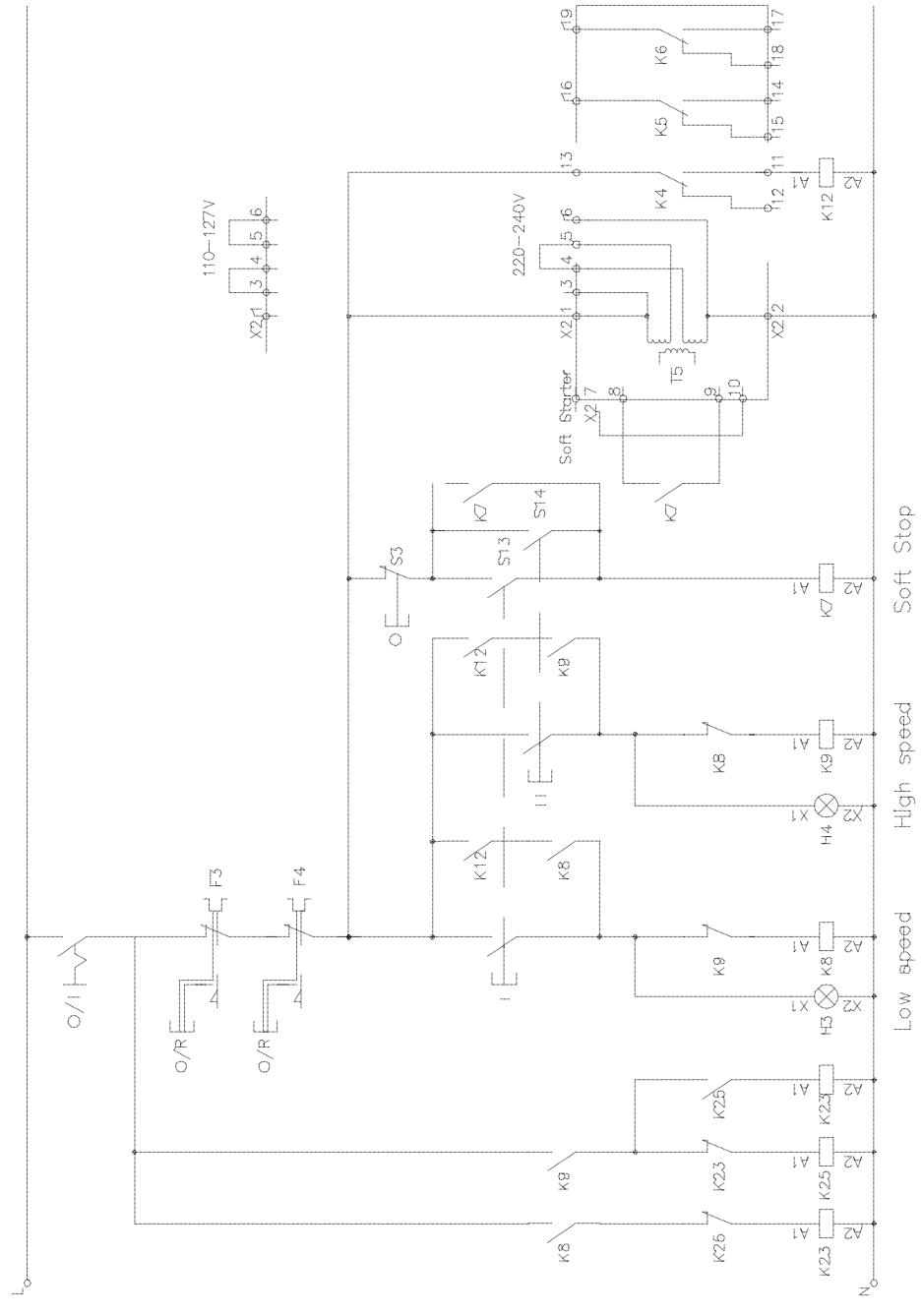
Soft Starter PS D75...300 with pole-changing and softstop.
 To be stopped before change of speed.
 Start at optional speed.
 For motor with one winding (Dahlander).
 If softstop is not needed set the time for softstop to 0.5.



AJ05-35

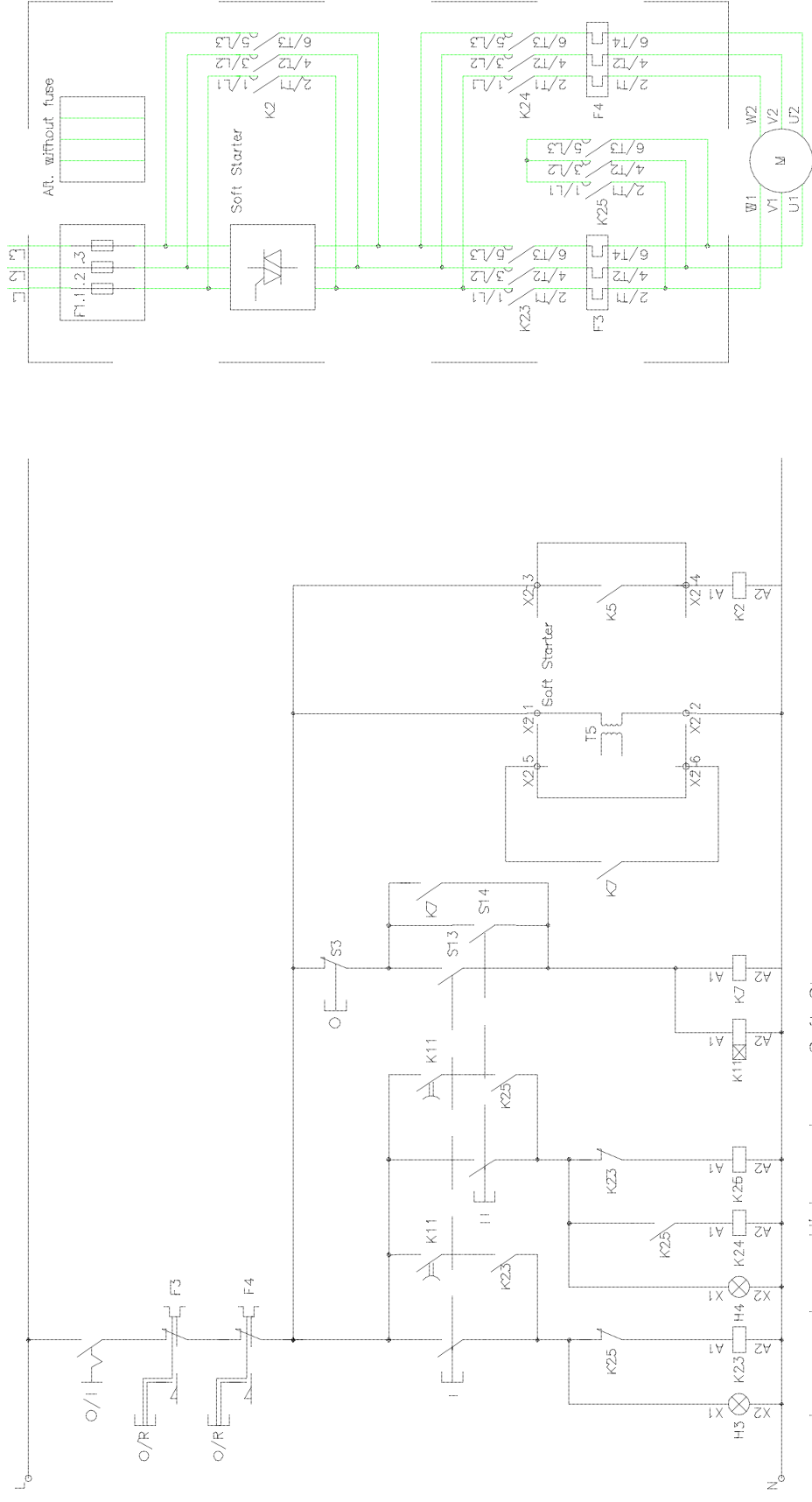
Rev. int.	Appt.	Year	Week	ISSUED	82	1	...
				SECUR/80 06 42	5366 105-35		
				APPLICATION DIAGRAM			
				Soft Starter			
				Mjukstartare			
				I Persson			
				I Persson			
				TP			

Soft Starter PS D370...840 with pole-changing and softstop.
 To be stopped before change of speed.
 Start at optional speed.
 For motor with one winding (Dahlander).
 If softstop is not needed set the time for softstop to 0.5.



A105-36		ISSUED	
5366 105-36		82	
APPLICATION DIAGRAM		SECUR/80 06 42	
Soft Starter		I Persson	
Mjukstartare		I Persson	
Softstop		TP	
Rev	ut	Appl	Year
			Week

Soft Starter PS A18...60 with pole-changing, By-pass and softstop.
 To be stopped before change of speed.
 Start at optional speed.
 For motor with one winding (Dahlander).
 If softstop is not needed set the time for softstop to 0.5.

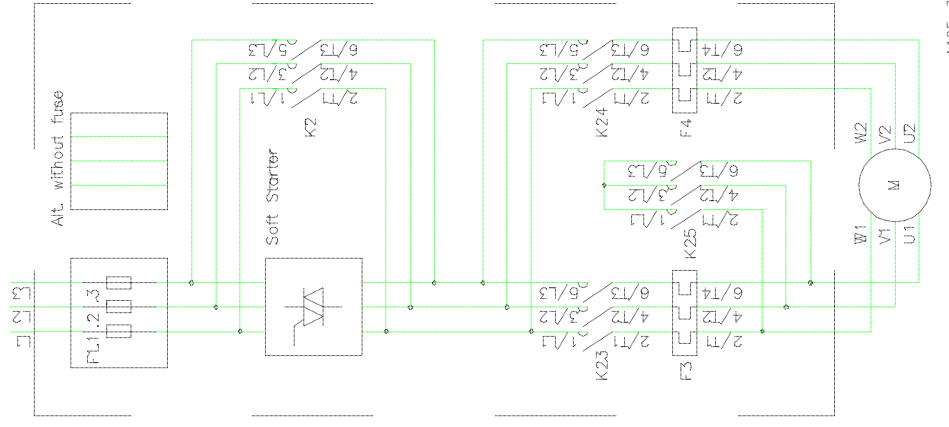
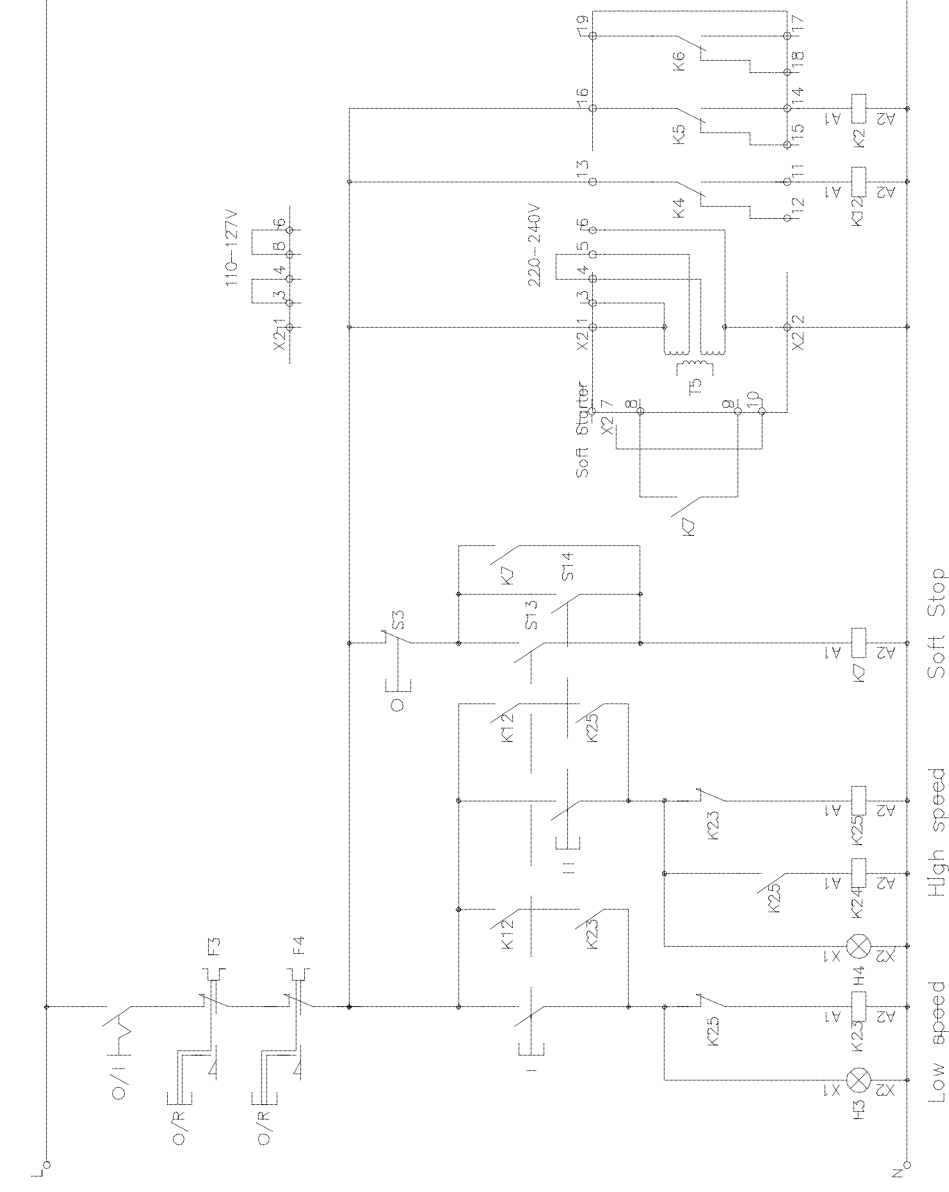


Low speed High speed Soft Stop

AJ05-37

Rev. int.	Appl.	Year	Issue	ISSUED	82	1	...
				SECUR/80 06 42	5366 105-37		
APPLICATION DIAGRAM				Soft Starter			
I Persson				Mjukstartare			
I Persson							
TP							

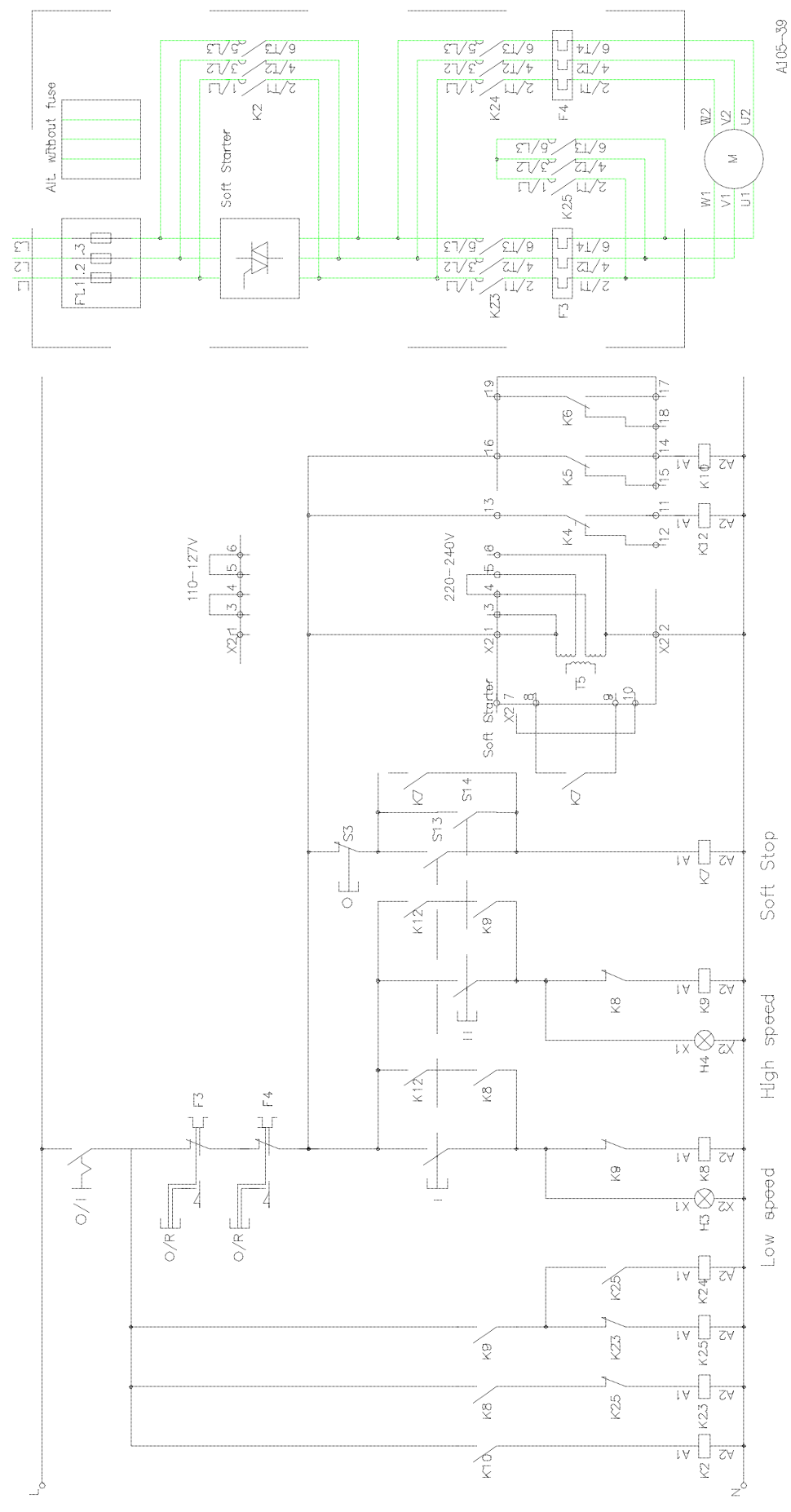
Soft Starter PS D75...300 with pole-changing, By-pass and softstop.
 To be stopped before change of speed.
 Start at optional speed.
 For motor with one winding (Dahlander).
 If softstop is not needed set the time for softstop to 0.5.



AJ05-38

Rev. int.	Appl.	Year	Issue	5366 105-38	82	1
				SECUR/80 06 42	ISSUED	...
APPLICATION DIAGRAM				I Perisosa		
Soft Starter				I Perisosa		
Mjukstartare				TP		

Soft Starter PS D370...840 with pole-changing and softstop.
 To be stopped before change of speed.
 Start at optional speed.
 For motor with one winding (Dahlander).
 If softstop is not needed set the time for softstop to 0.5.

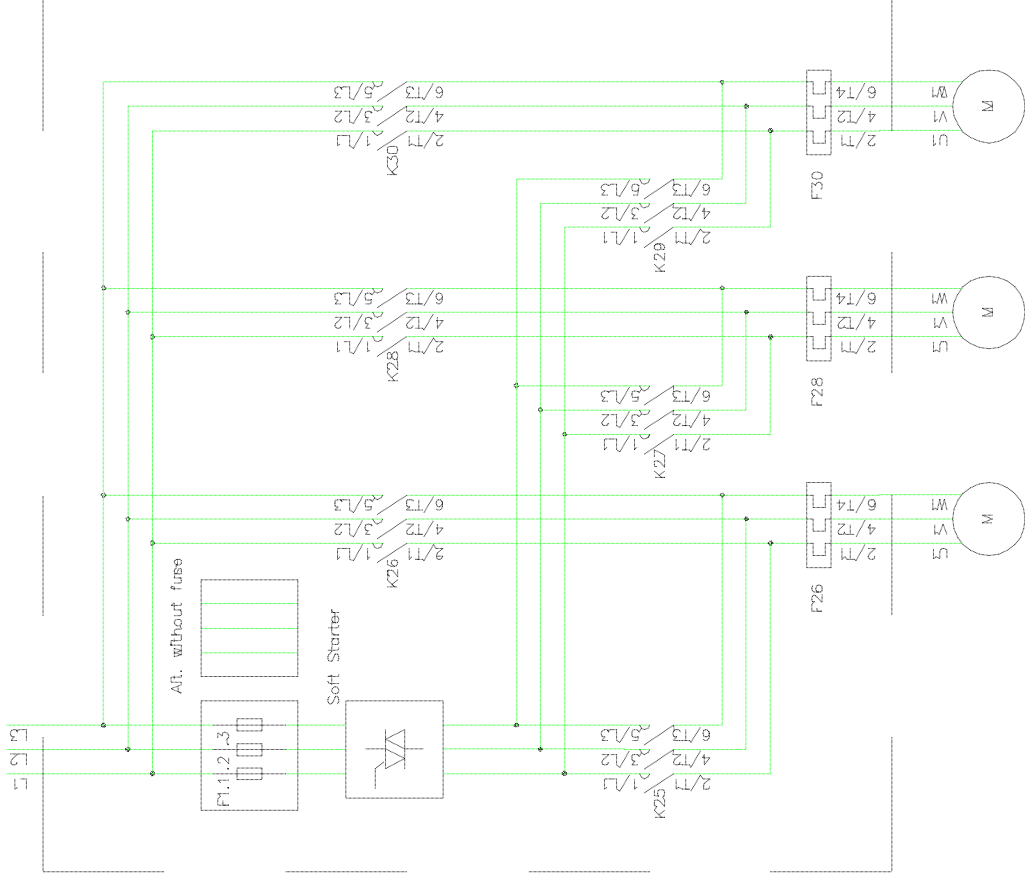


APPLICATION DIAGRAM		Soft Starter		Mjpkstartare		SECUR/80 06 42		ISSUED		82		1		...	
I Persson		I Persson		TP						5366 105-39					
Rev	int	Appl	Year	Issue											

SPECIAL APPLICATION DIAGRAM

5366 106-1	PS D75...840	Sequential start for 3 motors.
5366 106-2	PS D75...300	Start of 2 motors.

Sequential start for 3 motors.
 Soft Starter PS D75...300 with motor protection without softstop.
 Start of optional motor.



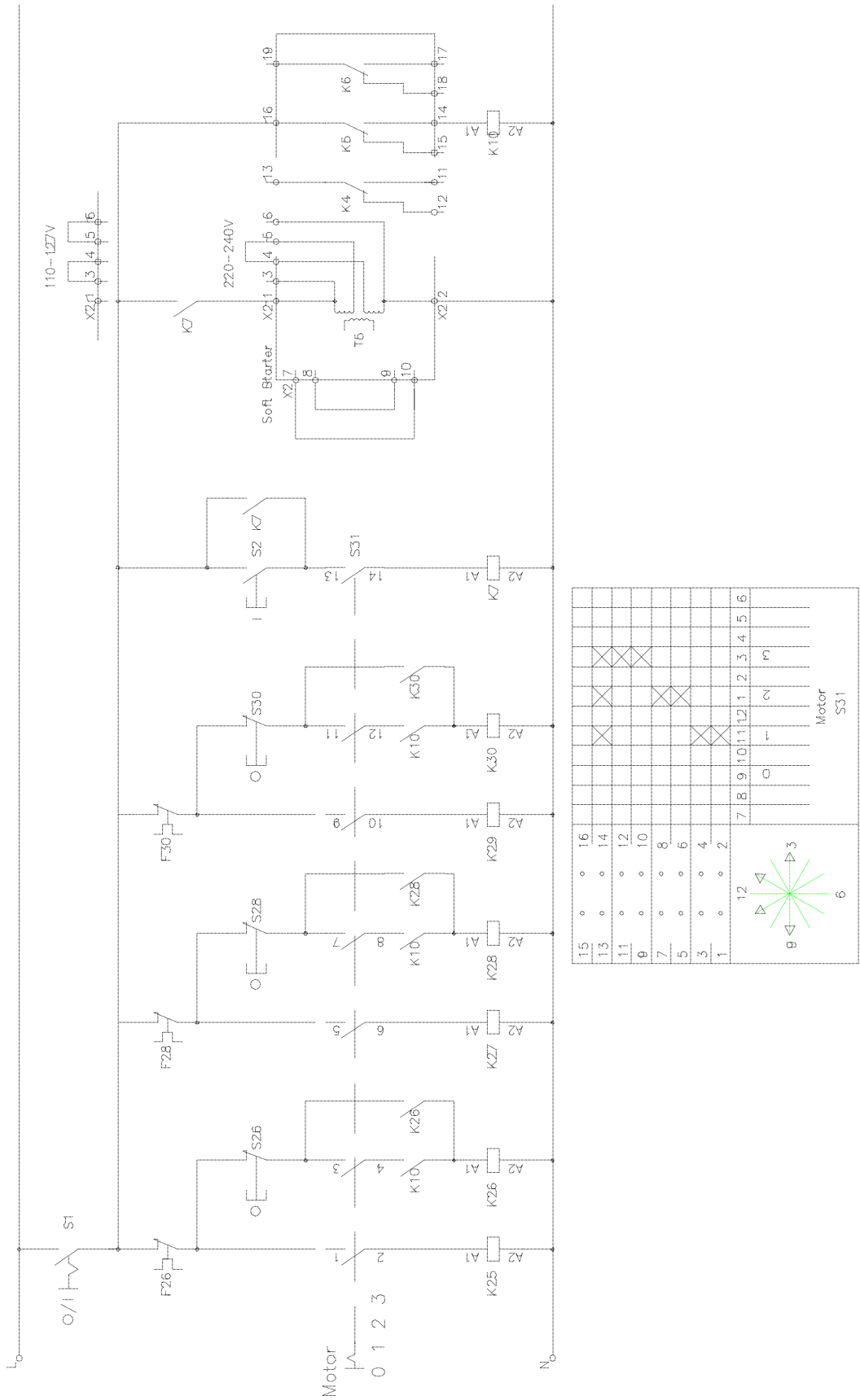
A106-1A

Rev. nr	Appd.	Year	Week
2	Uutetved	TP	96 43
1	Fuses moved.	TP	95 09

APPLICATION DIAGRAM		STORL/80 96 07	ISSUED
I Perisson	Soft Starter		
I Perisson	Mjpkstartare		
TP			

5366 106--1	82	1
	2	2

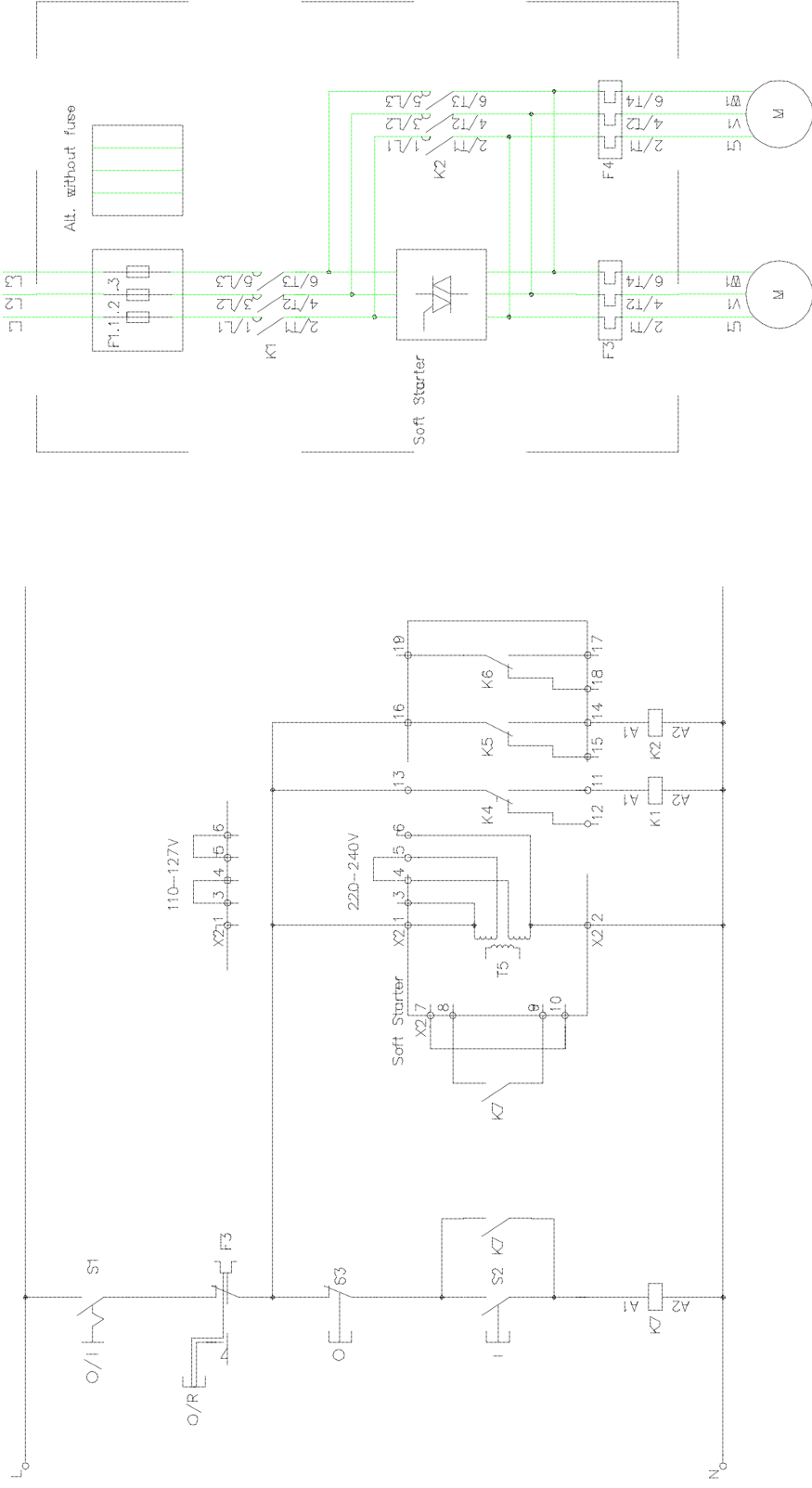
Sequential start for 3 motors.
 Soft Starter PS D75...300 with motor protection without softstop.
 Start of optional motor.



AJ06-1B

1	Justerad	TP	86	43	Issued	1	...
Rev. nr	Appl	Year	Week	5366			
APPLICATION DIAGRAM					SECUR/80 06 07	ISSUED	...
Soft Starter					APPLICATION DIAGRAM		
Mjpkstartare					Soft Starter		
TP					Mjpkstartare		

Start of 2 motors.
 Soft Starter PS D75...300 with motor protection, softstart and By-pass.
 Main contactor open during pause



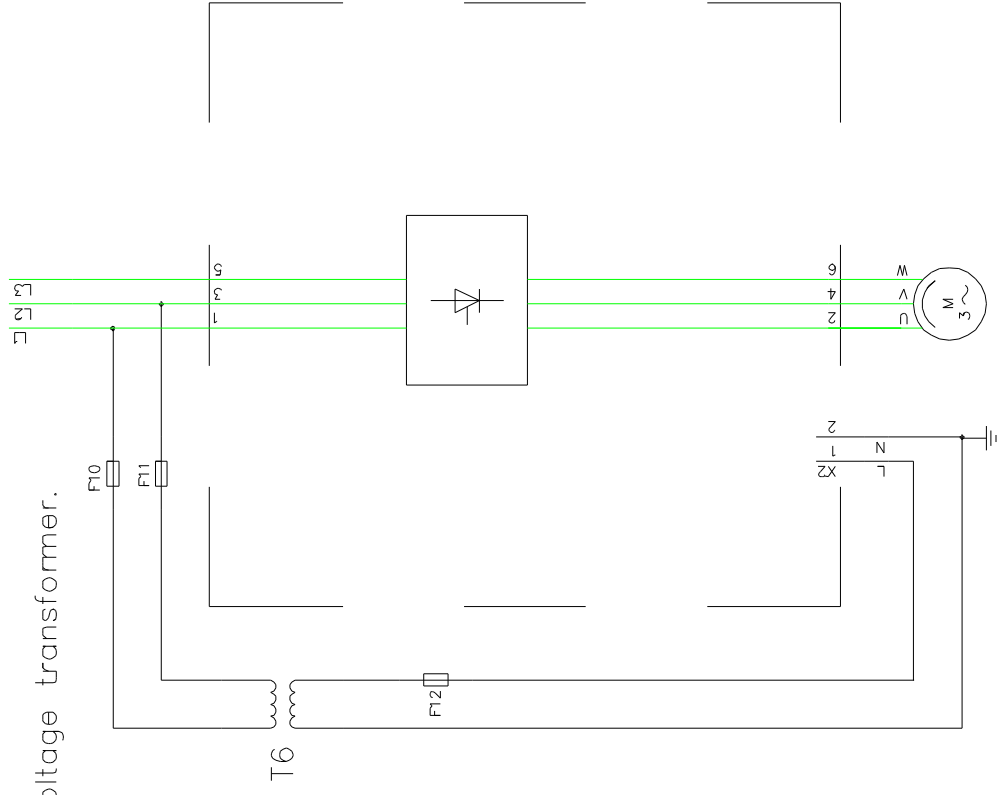
A106-2

Rev. nr	Appl.	Year	Week	ISSUED	82	1	...
				SECUR/80 06 43	5366 106-2		
				APPLICATION DIAGRAM			
				Soft Starter			
				Mjukstartare			
				I Persson			
				I Persson			
				TP			

SPECIAL DIAGRAM

5366 107-1	PS A, PS D(H)	Connection of control voltage transformer.
5366 107-2	PS A, PS D(H)	Connection of control voltage between phase and neutral wire.

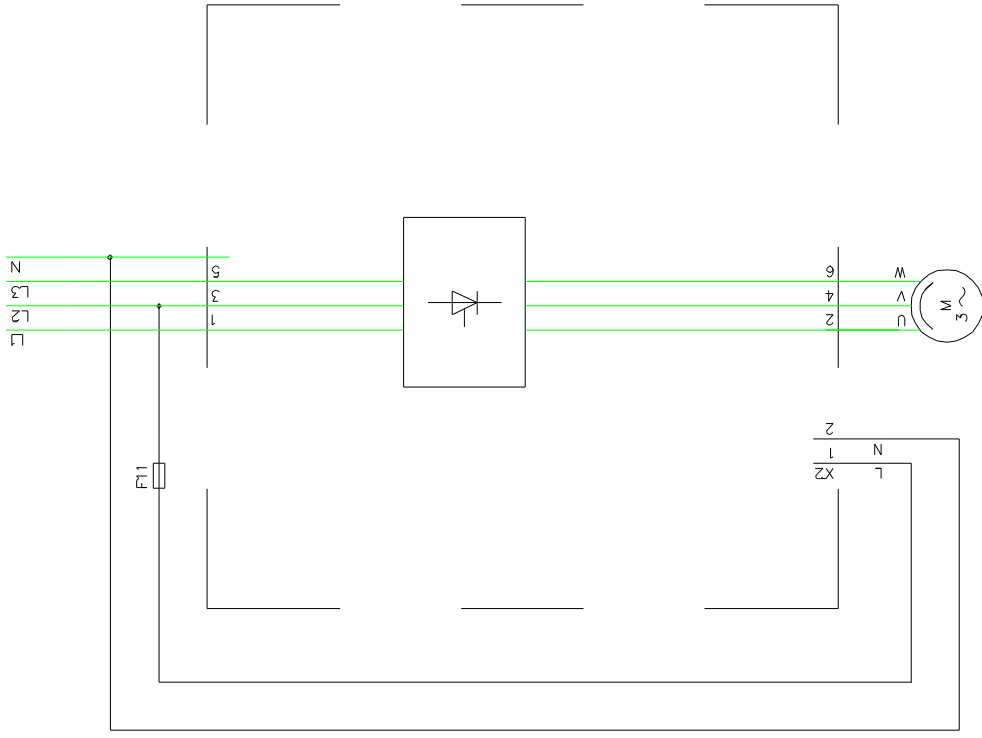
Connection of control voltage transformer.



A107-1

Rev	Ind	Sheet	5366 107-1	ISSUED	Logg 82	Rev	Ind	Cont	-
Designed, checked by T PERSSON			Diagram SOFT STARTERS			Rev			
Drawing, checked by T PERSSON			MÅDKASTARE			Iss			
Drawn by P			ABB Control			Date			
			SCUR/AM			Week			
			96			07			
Appd	Year	Week							

Connection of control voltage between phase and neutral wire.
 With main voltage 380-415V the phase voltage is 220-240V.
 With main voltage 220V the phase voltage is 227V.



A107-2

Bw. int.	Appd.	Year	Issue

T. PERSSON	Diagram		
T. PERSSON	SOFT_STARTERS		
TP	MJUKSTARTARE	SCORE/B0	96 07

ISSUED	82	1	-

5366 107-2



ABB Automation Technology Products AB, Control
S-721 61 Västerås, SWEDEN

Telephone +46 21 32 07 00
TELEFAX +46 21 12 60 01

(53096981.doc)