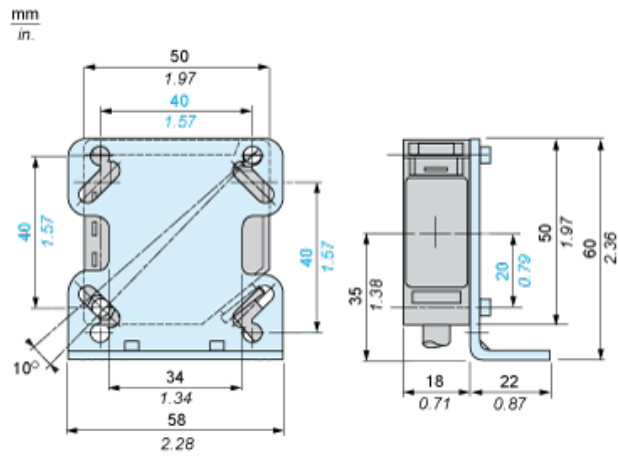
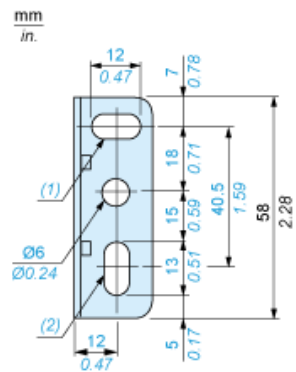


Dimensions



Bracket fixing

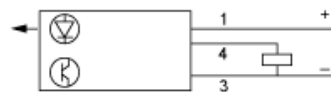


- (1) 1 elongated hole $\varnothing 6 \times 12$
- (2) 1 elongated hole $\varnothing 6 \times 13$

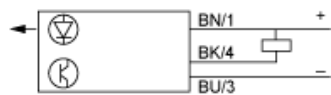
Wiring Schemes

NO/NC Programming

PNP Output



NPN Output



BN : Brown
BU : Blue
BK : Black