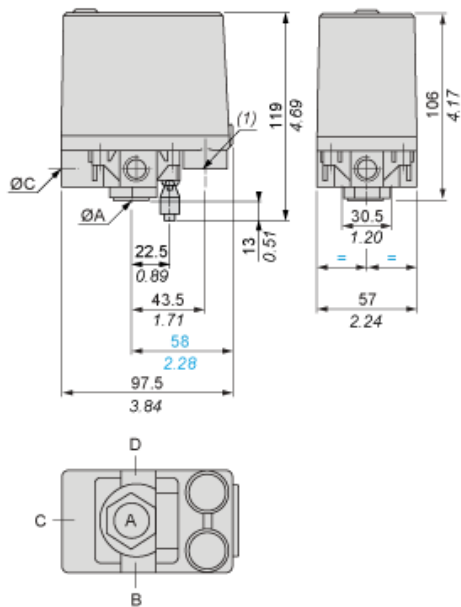


Dimensions

With Straight, Instant Connection, Decompression Valve

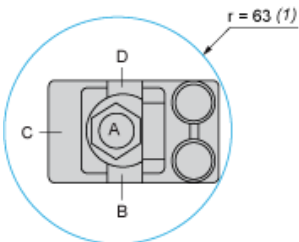
mm
in.



$\varnothing A = \varnothing B = \varnothing C = \varnothing D =$

(1) 2 tapped entries for Pg 13.5

Minimum Mounting Clearance



$\varnothing A = \varnothing B \leq \varnothing C \leq \varnothing D$

(1) Minimum clearance zone for screwing-on pressure switch at point A