

**SENORTECH**

**PERFORMANCE**

Range ..... 0 - 100 ppm  
 Maximum overload..... 500 ppm H2S  
 Sensitivity..... 600 - 1000 nA/ppm H2S  
 Zero in air at 20 °C..... <±0.6 ppm H2S  
 Resolution..... 0.1 ppm H2S  
 Linearity .....linear across range  
 Response time, t90..... <35 s  
 Long-term output drift.....<2% signal/month  
 Warranty ..... 2 years

**OPERATING CONDITIONS**

Temperature range .....-20 to +50 °C  
 Operating humidity..... 15 - 90% RH (non-condensing)  
 Pressure range ..... 90 - 110 kPa (nominal)  
 Operating circuit..... see Electrochemical Toxic Sensor Application Note  
 Applied potential .....0 V  
 Storage life..... 6 months in original packaging (0 - 25 °C)

**PHYSICAL CHARACTERISTICS**

Label colour .....silver  
 Weight..... 5 g approx.  
 Dimensions ..... see outline

This device is designed to be RoHS compliant.

**CROSS-SENSITIVITY DATA**

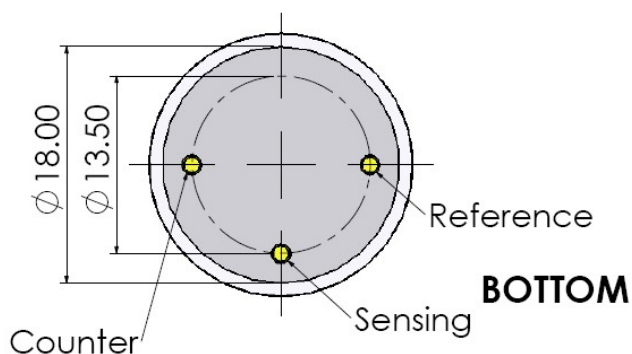
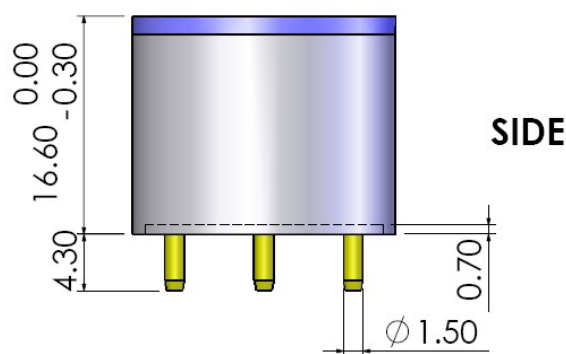
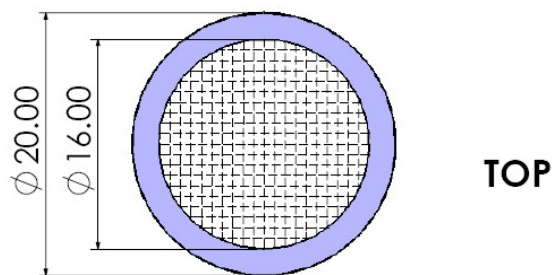
GAS	Concentration (ppm)	Sensor Response (As ppm H2S)
Carbon Monoxide	300	<1.5
Sulfur Dioxide	5	<1
Nitric Oxide	35	<0.7
Nitrogen Dioxide	5	<-1
Hydrogen	100	0

**Important Note**

Do not solder to the connector pins as this may damage the sensor and thereby invalidate the warranty.

Details on recommended connector pins can be found in the Frequently Asked Questions within the Gas Sensor section of the SGX website.

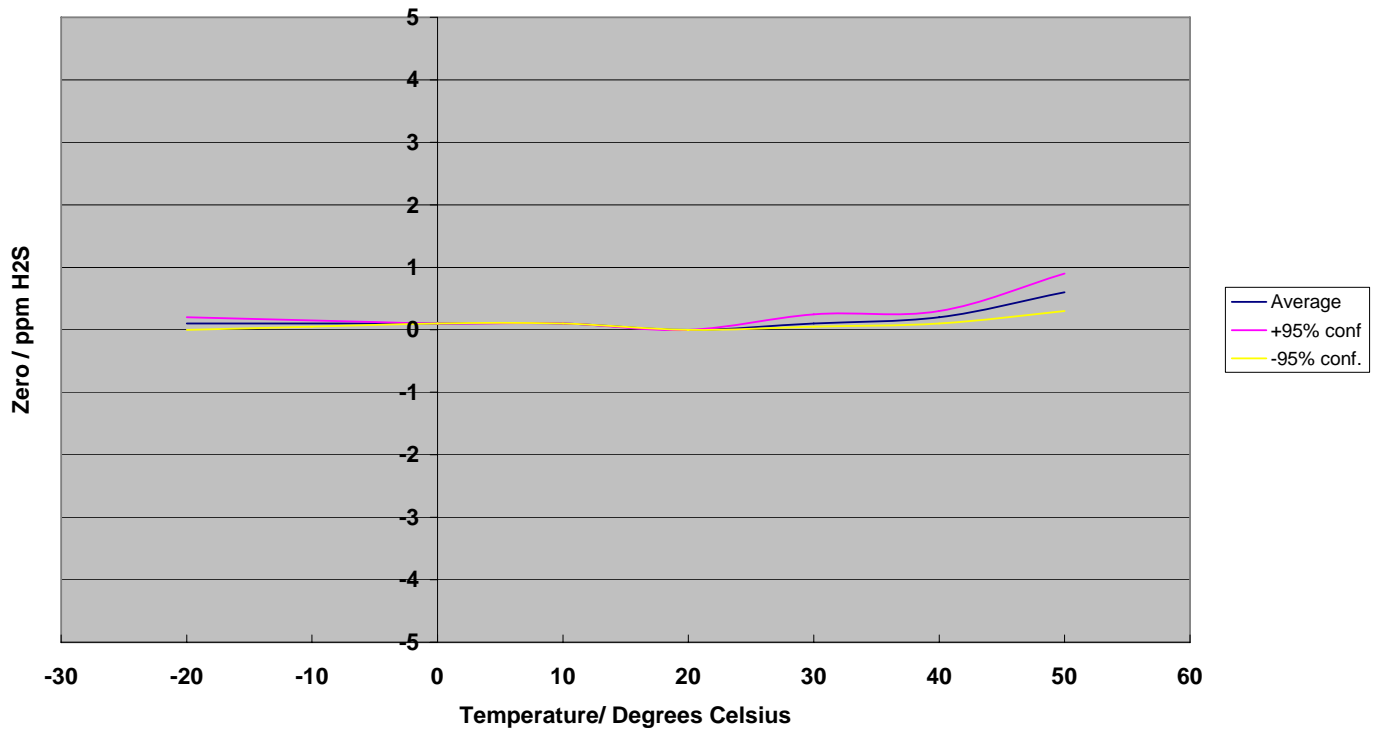
**OUTLINE**



All dimensions in mm.  
 All tolerances ±0.15mm unless otherwise stated.

# TEMPERATURE DEPENDENCE

## EC-4-100-H2S Graph of Zero vs Temperature



## EC-4-100-H2S Graph of Net Sensitivity vs Temperature

