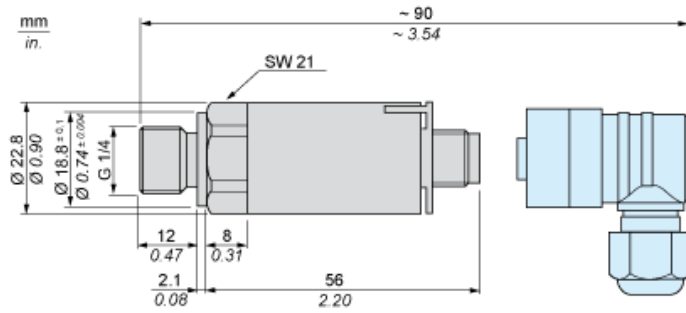


Dimensions



Wiring Diagram

2-Wire Technique (4-20 mA)

