

PCB Mount Fuseholders

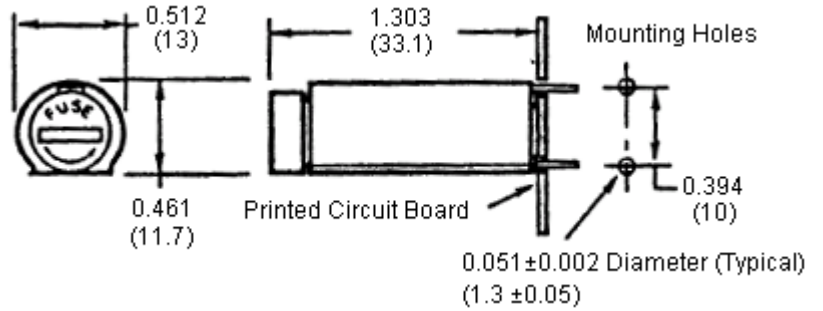
MCHTC Finger Release Bayonet Cap



Features:

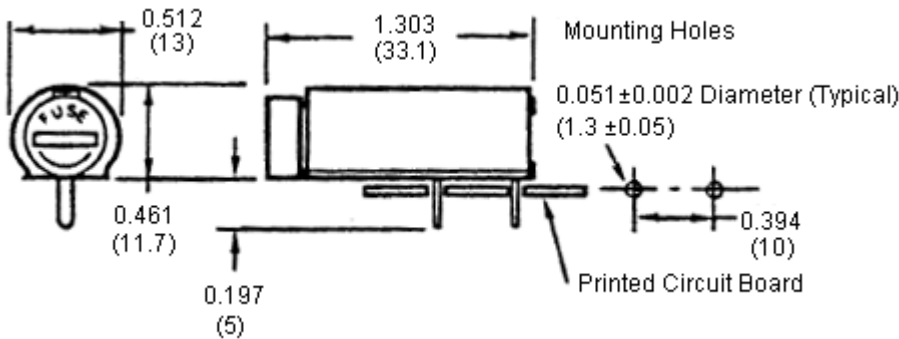
- Nylon finger release bayonet cap with screwdriver slot

PCB Vertical Mount Fuse holder



Dimensions : Inches (Millimetres)

PCB Horizontal Mount Fuse holder



Dimensions : Inches (Millimetres)

Specifications:

Terminals	: Brass, tinplated
Moulded Materials	: High temperature thermoplastic
Glow Wire Test	: 960°C per IEC 695-2-1
Solderability	: In accordance with IEC 68-2-20

Electrical

Contact Resistance	: ≤10 mΩ
Insulation Resistance	: ≤10 MΩ
Dielectric Strength	: ≤2,000 V ac
Shock Safety	: IEC257.PC2 (fuse holders)
Maximum Operating Temperature	: 218°C

Specification Table

Type	Current Rating (A) at 250 V ac	Wattage (W)	Part Number
Horizontal	6.3	2.5	MCHTC-50M
Vertical			MCHTC-45M

Important Notice : This data sheet and its contents (the "Information") belong to the members of the Premier Farnell group of companies (the "Group") or are licensed to it. No licence is granted for the use of it other than for information purposes in connection with the products to which it relates. No licence of any intellectual property rights is granted. The Information is subject to change without notice and replaces all data sheets previously supplied. The Information supplied is believed to be accurate but the Group assumes no responsibility for its accuracy or completeness, any error in or omission from it or for any use made of it. Users of this data sheet should check for themselves the Information and the suitability of the products for their purpose and not make any assumptions based on information included or omitted. Liability for loss or damage resulting from any reliance on the Information or use of it (including liability resulting from negligence or where the Group was aware of the possibility of such loss or damage arising) is excluded. This will not operate to limit or restrict the Group's liability for death or personal injury resulting from its negligence. Multicomp is the registered trademark of the Group. © Premier Farnell plc 2012.

