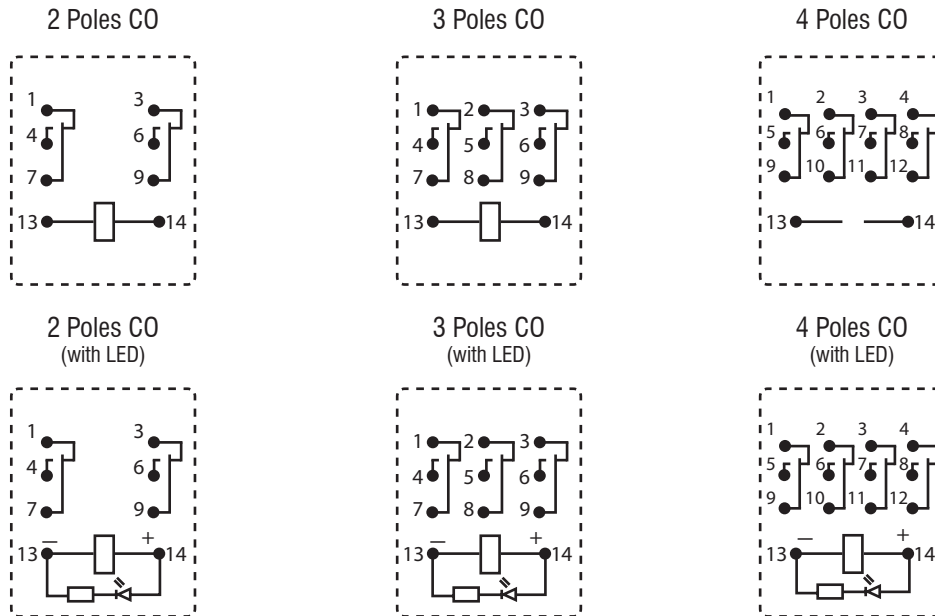


# Miniature Intermediate Power Relay HYE

## WIRING DIAGRAM



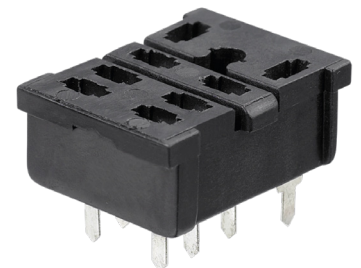
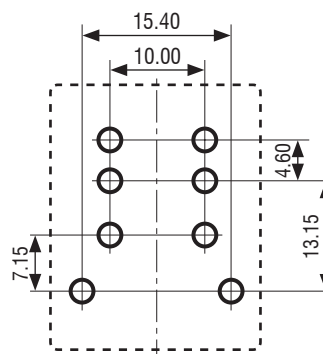
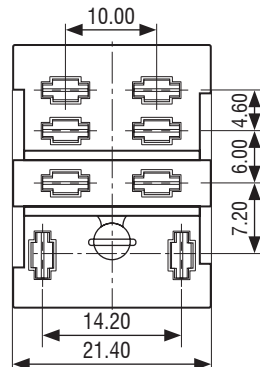
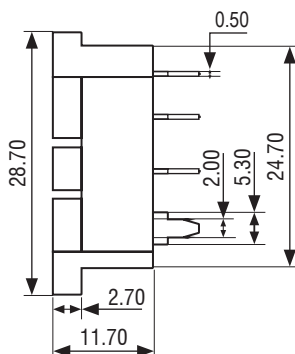
## Bases - Dimensions (mm)



Relay	Base	Nominal Voltage (V)	Nominal Current (A)	Ambient Temperature	Dielectric Strength Min.	Screw Torque (Nm)	Wire Strip Length (mm)
2P	SRPE2-0	300V	10A	-25 to 85°C	1500VAC	N/A	N/A
2P	SRNE2-D	300V	10A	-25 to 85°C	2500VAC	0.6	7mm
2P	SRNE2-S	300V	10A	-25 to 85°C	2500VAC	0.6	7mm
3P	SRNE3-C	300V	10A	-25 to 85°C	2500VAC	0.6	7mm
3P	SRNE3-D	300V	10A	-25 to 85°C	2500VAC	0.6	7mm
4P	SRPE4-0	300V	10A	-25 to 85°C	2500VAC	N/A	N/A
4P	SRNE4-C	300V	10A	-25 to 85°C	2500VAC	0.6	7mm
4P	SRNE4-D	300V	10A	-25 to 85°C	2500VAC	0.6	7mm
4P	SRNE4-S	300V	10A	-25 to 85°C	2500VAC	0.6	7mm

## SRPE2-0

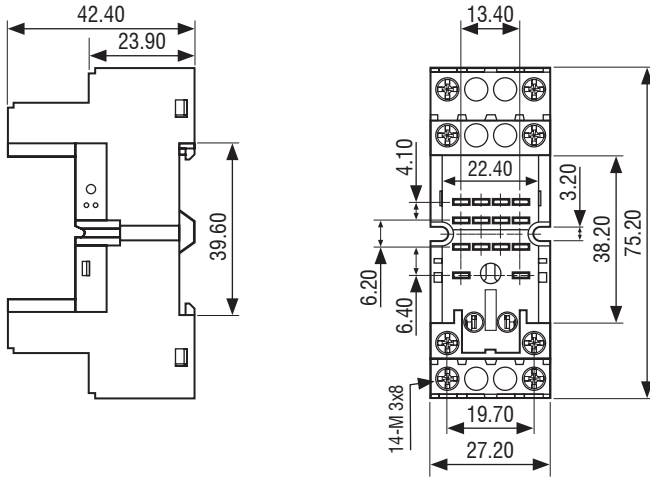
## PCB Layout



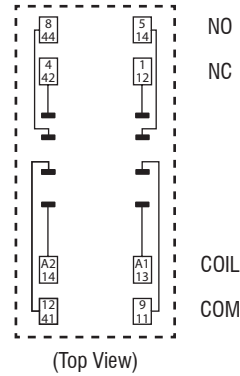
**ACCESSORY**  
Metallic retainer SRC-CLIP

# Miniature Intermediate Power Relay HYE

## SRNE2-D



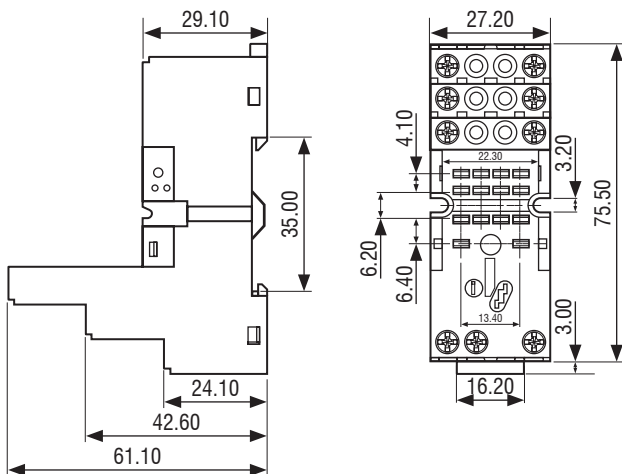
### Wiring Diagram



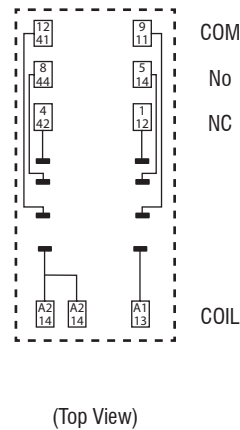
### ACCESSORY

Metallic retainer RC4-N  
Marker - SRN-BM-1  
Plug-in modules PDME1 to RPDME1

## SRNE2-S



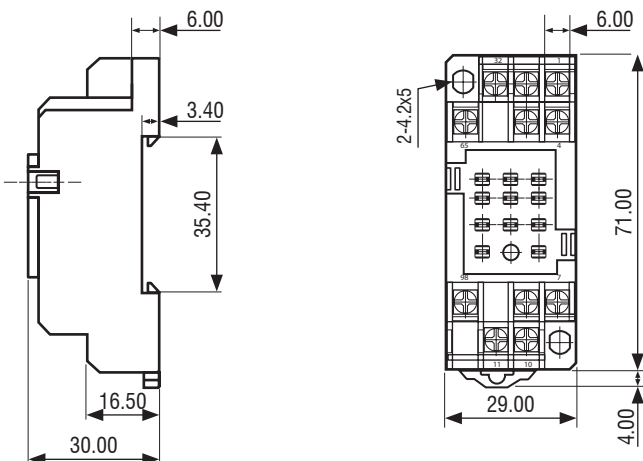
### Wiring Diagram



### ACCESSORY

Metallic retainer RC4-N  
Marker - SRN-BM-1  
Plug-in modules PDME1 to RPDME1

## SRNE3-C



### Wiring Diagram

