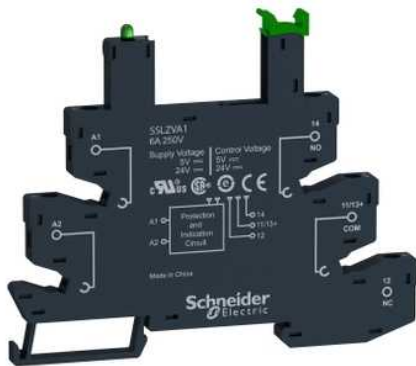


# Product data sheet

## Characteristics

# SSLZRA4

## socket SSL - 6 A - 230 V AC/DC- spring clamp - for relay SSL



### Main

Commercial Status	Commercialised
Range of product	Zelio Relay
Product or component type	Socket
Device short name	SSLZ
Sale per indivisible quantity	10

### Complementary

Contact terminal arrangement	Separate
Product compatibility	Solid state relay SSL with NO contact at 230 V DC Solid state relay SSL with NO contact at 230 V AC
Shape of pin	Flat
[I <sub>th</sub> ] conventional free air thermal current	6 A
[I <sub>th</sub> ] conventional free air thermal current	6 A
[U <sub>e</sub> ] rated operational voltage	< 250 V AC/DC
Connections - terminals	Spring terminals 1 x 0.2...1 x 1.5 mm <sup>2</sup> - AWG 24...AWG 16 , flexible cable with cable end Spring terminals 1 x 0.2...1 x 1.5 mm <sup>2</sup> - AWG 24...AWG 16 , solid cable without cable end
Clamping force	10...40 N
Fixing mode	By clip-on 35 mm DIN rail
Switching voltage	230 V AC/DC
Local signalling	LED green for input status
Width	6.2 mm
Height	101 mm
Depth	78.6 mm
Product weight	0.0285 kg

### Environment



Flame retardance	V0 conforming to UL 94
Standards	IEC 61984
Product certifications	CSA C22-2 No 14 RoHS UL 508 REACH
Marking	CE
Ambient air temperature for storage	-40...85 °C

Ambient air temperature for operation	-40...70 °C
IP degree of protection	IP20
Dielectric strength	2500 V

### Ordering and shipping details

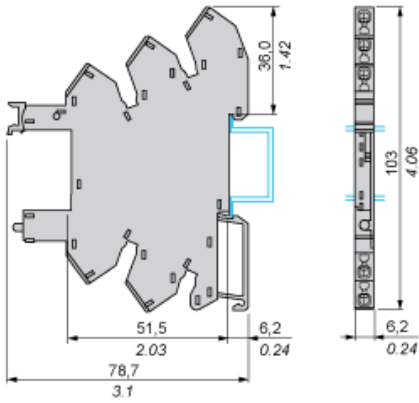
Category	21127 - ZELIO ICE CUBE RELAYS
Discount Schedule	CP2
GTIN	00785901978466
Nbr. of units in pkg.	10
Package weight(Lbs)	0.06
Returnability	N
Country of origin	CN

### Offer Sustainability

Sustainable offer status	Green Premium product
REACH	Reference contains SVHC above the threshold - <a href="#">go to CaP for more details</a>
Product environmental profile	Available  <a href="#">Download Product Environmental</a>
Product end of life instructions	Available  <a href="#">Download End Of Life Manual</a>

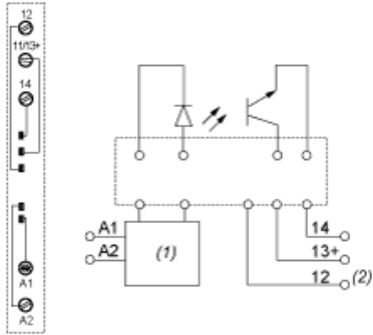
Dimensions

mm  
in.



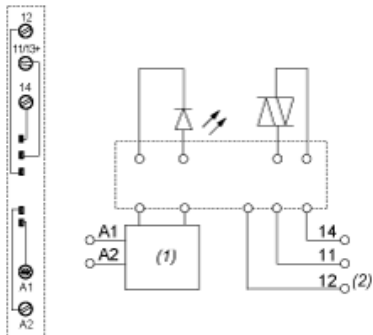
Wiring Diagram

Wiring Diagram for DC Output



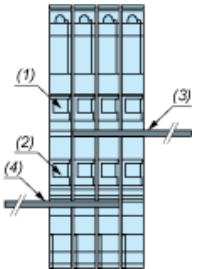
- (1) Protection circuit
- (2) Terminal 12 is not in use for SSL Relay

Wiring Diagram for AC Output



- (1) Protection circuit
- (2) Terminal 12 is not in use for SSL Relay

Example of RSLZ2 Bus Jumper Mounting on Sockets



- (1) A1
- (2) A2
- (3) Bus jumper polarity A1
- (4) Bus jumper polarity A2