

4. Inrush load (Electrical life diagram)

Load	Tungsten	Electronic ballast	Capacitive (IEC 60669-1)
Switching capacity	2,400W 120V AC	20A 277V AC	20A 250V AC 200 μ F
Load voltage	120V AC (60Hz)	277V AC (60Hz)	250V AC (60Hz)
Load current	Inrush 250A _{O-P} Steady-state 20Arms	Inrush 480A _{O-P} Steady-state 16Arms	Inrush 400A _{O-P} Steady-state 20Arms
Circuit			
Current waveform			

DJ-H (ADJH2)

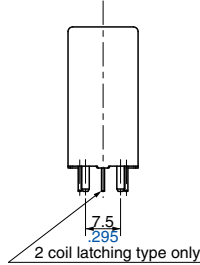
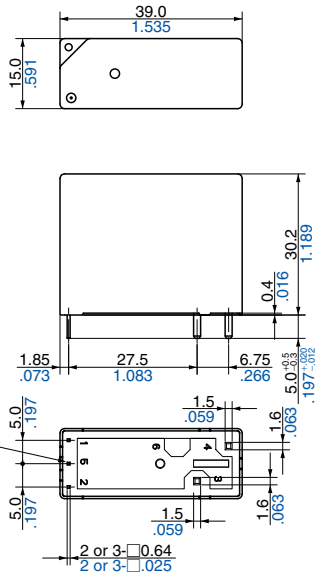
DIMENSIONS (mm inch)

The CAD data of the products with a **CAD** mark can be downloaded from: <http://industrial.panasonic.com/ac/e/>

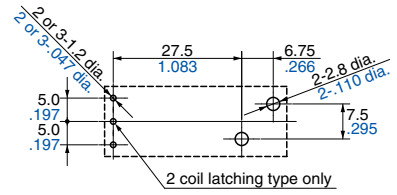
1. Standard type (Without manual switch)

CAD

External dimensions

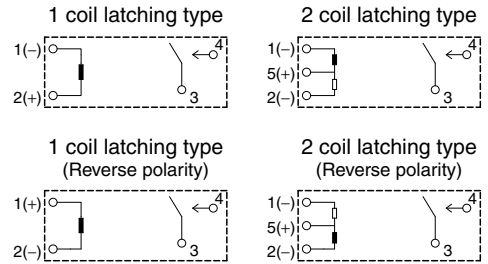


PC board pattern (Bottom view)



Tolerance: $\pm 0.1 \pm 0.004$

Schematic (Bottom view)

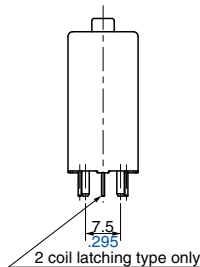
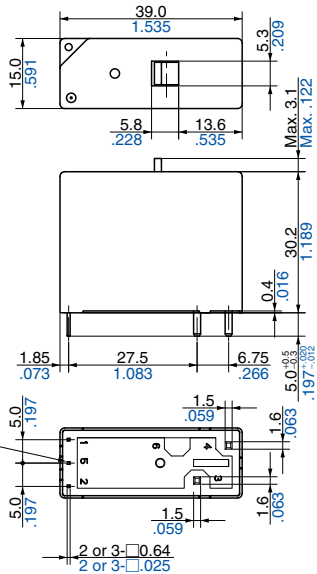


General tolerance: $\pm 0.3 \pm 0.012$

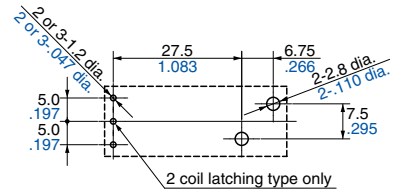
2. Manual switch type

CAD

External dimensions

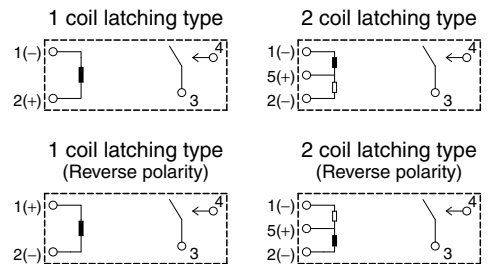


PC board pattern (Bottom view)



Tolerance: $\pm 0.1 \pm 0.004$

Schematic (Bottom view)



General tolerance: $\pm 0.3 \pm 0.012$

SAFETY STANDARDS

UL/C-UL (Recognized)				VDE			
File No.	Contact rating	Cycles	Temperature	File No.	Contact rating	Cycles	Temperature
E43149	50A 277V AC Resistive	10 ⁴	85°C 185°F	40045659	50A 250V AC (cosφ=1.0)	10 ⁴	85°C 185°F
	40A 347V AC Resistive	2 × 10 ⁴	40°C 104°F				
	30A 480V AC Resistive	2 × 10 ⁴	40°C 104°F		25A 250V AC (cosφ=1.0)	9 × 10 ⁴	40°C 104°F
	20A 347V AC Electronic ballast (1 coil latching type only)	6 × 10 ³	—				
	20A 277V AC Electronic ballast	6 × 10 ³	85°C 185°F				
	20A 277V AC Standard ballast	3 × 10 ⁴	85°C 185°F		20A 250V AC Capacitor 200μF (IEC60669-1 compliant)	5 × 10 ³	40°C 104°F
	15A 347V AC Standard ballast	3 × 10 ⁴	85°C 185°F				
	5,540W 277V AC Tungsten	2.5 × 10 ⁴	40°C 104°F				