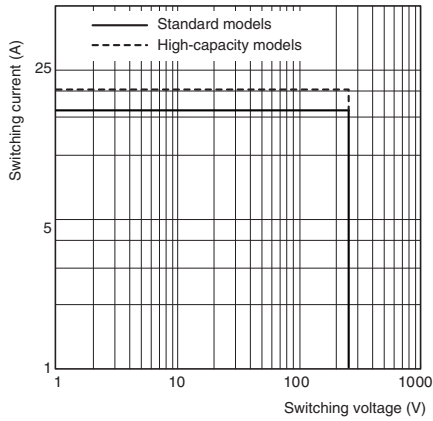
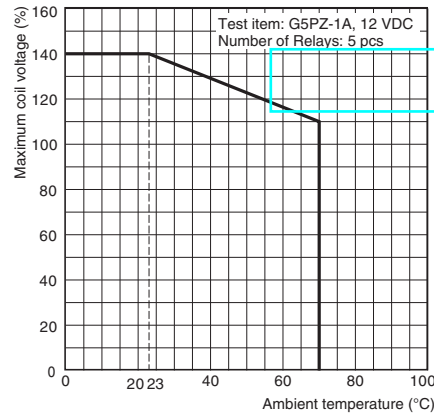


Engineering Data

Maximum Switching Capacity

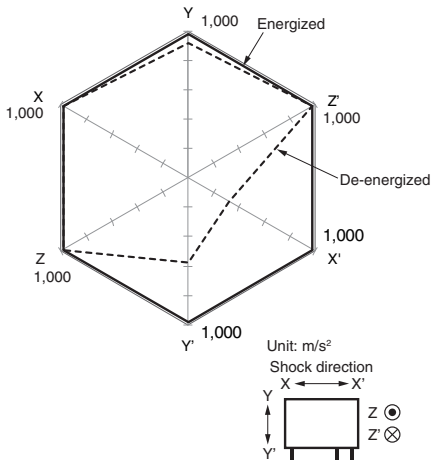


Ambient Temperature vs. Maximum Coil Voltage



Note. The maximum coil voltage refers to the maximum value in a varying range of operating power voltage, not a continuous voltage.

Shock malfunction



Test Item: G5PZ-1A 12 VDC
 Number of Relays: 5 pcs
 Test Method: Shock is applied 3 times in 6 directions along 3 axes and the level at which shock caused malfunction is measured.
 The energized voltage is 100% of the rated voltage.
 Rating: 200 m/s²

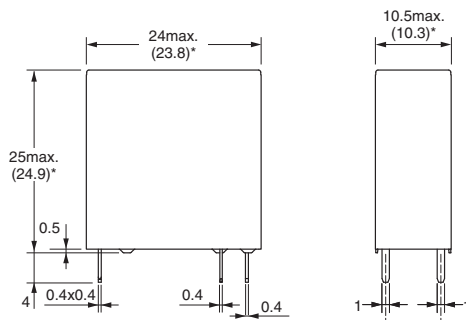
G5PZ

Dimensions

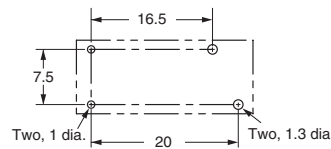
CAD Data Please visit our website, which is noted on the last page.

(Unit: mm)

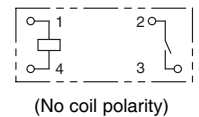
G5PZ



PCB Mounting Holes
 (Bottom View)
 Tolerance: ±0.1 mm



Terminal Arrangement/ Internal Connections
 (Bottom View)



CAD Data

■ Approved Standards

The approval rating values for overseas standards are different from the performance values determined individually. Confirm the values before use.

- **UL Recognized:**  (File No. E41515)
- **CSA Certified:**  (File No. LR31928)

| Model | Contact form | Coil ratings | Contact ratings | Number of test operations |
|-----------|--------------|--------------|--------------------------------|---------------------------|
| G5PZ-1A | SPST-NO(1a) | 5 to 24 VDC | 16 A, 277 VAC (Resistive) 70°C | 6,000 |
| G5PZ-1A-E | | | 20 A, 277 VAC (Resistive) 70°C | 50,000 |

- **EN/IEC, VDE Certified:**  (Certificate No. 40042966)

| Model | Contact form | Coil ratings | Contact ratings | Number of test operations |
|---------|--------------|---------------|---------------------------------|---------------------------|
| G5PZ-1A | SPST-NO(1a) | 5, 12, 24 VDC | 16 A, 250 V AC (Resistive) 70°C | 6,000 |

- **EN/IEC, TÜV Certified:**  (Certificate No. R50408241)

| Model | Contact form | Coil ratings | Contact ratings | Number of test operations |
|-----------|--------------|---------------|-----------------------------|---------------------------|
| G5PZ-1A-E | SPST-NO(1a) | 5, 12, 24 VDC | 20 A, 250 VAC (cosφ=1) 70°C | 50,000 |

- **CQC Certified:**  (Certificate No. CQC15002133270)

| Model | Contact form | Coil ratings | Contact ratings | Number of test operations |
|-----------|--------------|---------------|-----------------------------|---------------------------|
| G5PZ-1A | SPST-NO(1a) | 5, 12, 24 VDC | 16 A, 250 VAC (cosφ=1) 70°C | 6,000 |
| G5PZ-1A-E | | | 20 A, 250 VAC (cosφ=1) 70°C | 50,000 |

| | |
|---|--|
| Creepage distance | 9.5 mm min. |
| Clearance distance | 6.4 mm min. |
| Insulation material group | III a |
| Type of insulation coil-contact circuit open contact circuit | Reinforced (Standard : Pollution degree 2) (High-capacity : Pollution degree 3) |
| Type of disconnection open contact circuit | Micro disconnection |
| Rated Insulation voltage | 250 VAC |
| Pollution degree | 2 |
| Rated voltage system | 250 V |
| Over voltage category | III |
| Category of protection according to IEC 61810-1 | RT II |
| Tracking resistance according to IEC 60112 | PTI 250 V min. (housing parts) |
| Flammability class according to UL94 | V-0 |