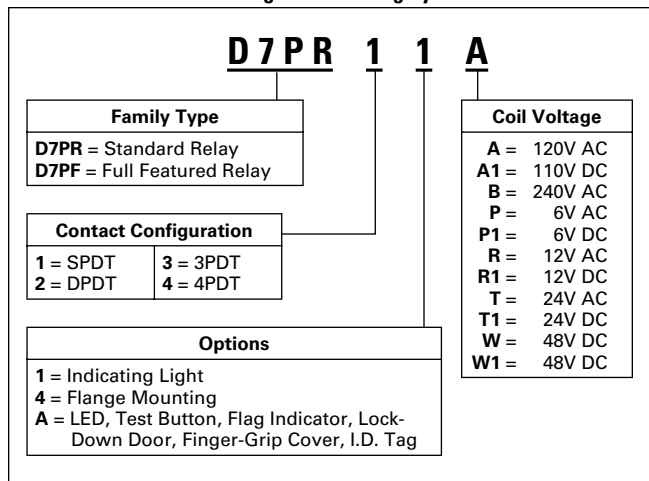


Catalogue Number Structure

Table 3-52. D7 Series Catalogue Numbering System ①



① For deciphering Catalogue Numbers. Do not use for ordering as not all combinations are readily available.

Table 3-53. Relay/Socket Quick Reference

Relay Type	Socket	Hold Down Spring
D7PR1	D7PA2/D7PA5	PMC-A1
D7PR2	D7PA2/D7PA5	PMC-A1
D7PR3	D7PA3	PYC-B2
D7PR4	D7PA4	PYC-B2
D7PF1/D7PF2	D7PA9/D7PA5	PQC-1342
D7PF1/D7PF2	D7PAA	PQC-1349
D7PF3	D7PA3	N/A
D7PF4	D7PA4	N/A
D7PF3	D7PAB	PQC-1350
D7PF4	D7PAD	PQC-1351

Product Selection

Table 3-54. D7 Product Selection ②

	Catalogue Number
Standard SPDT	
Coil Voltage: 24V AC 120V AC 240V AC	D7PR1T D7PR1A D7PR1B
6V DC 12V DC 24V DC	D7PR1P1 D7PR1R1 D7PR1T1
SPDT with Indicating Light	
24V AC 120V AC	D7PR11T D7PR11A
24V DC	D7PR11T1
SPDT Flange Mount	
120V AC	D7PR14A
SPDT Full Featured Relay	
120V AC 110V DC 12V DC 24V AC 24V DC	D7PF1AA D7PF1AA1 D7PF1AR1 D7PF1AT D7PF1AT1

Table 3-54. D7 Product Selection, continued ②

	Std. Pack	Catalogue Number
Standard DPDT		
24V AC 120V AC 240V AC		D7PR2T D7PR2A D7PR2B
12V DC 24V DC 48V DC 110V DC		D7PR2R1 D7PR2T1 D7PR2W1 D7PR2A1
DPDT Full Featured Relay		
Coil Voltage: 120V AC 110V DC 240V AC 12V DC 24V AC 24V DC		D7PF2AA D7PF2AA1 D7PF2AB D7PF2AR1 D7PF2AT D7PF2AT1
DPDT Flange Mount		
24V AC 120V AC		D7PR24T D7PR24A
Standard 3PDT		
120V AC		D7PR3A
12V DC 24V DC		D7PR3R1 D7PR3T1
3PDT with Indicating Light		
120V AC		D7PR31A
12V DC 24V DC		D7PR31R1 D7PR31T1
3PDT Flange Mount		
120V AC		D7PR34A
3PDT Full Featured Relay		
120V AC 110V DC 240V AC 12V DC 24V AC 24V DC		D7PF3AA D7PF3AA1 D7PF3AB D7PF3AR1 D7PF3AT D7PF3AT1
Standard 4PDT		
Coil Voltage: 24V AC 120V AC		D7PR4T D7PR4A
24V DC 110V DC		D7PR4T1 D7PR4A1
4PDT Full Featured		
Coil Voltage: 120V AC 240V AC 12V AC 12V DC 24V AC 24V DC 48V DC		D7PF4AA D7PF4AB D7PF4AR D7PF4AR1 D7PF4AT D7PF4AT1 D7PF4AW1
4PDT Flange Mount		
120V AC 24V DC		D7PR44A D7PR44T1
DIN Rail Mount Sockets		
1- and 2-Pole 1- and 2-Pole Finger-Safe ③ 3-Pole 3-Pole Finger-Safe ③ 4-Pole 4-Pole Finger-Safe ③	10 10 10 10 10 10	D7PA2 D7PAA D7PA3 D7PAB D7PA4 D7PAD
Panel Mount Sockets		
1- and 2-Pole	10	D7PA5
Accessories		
Spring Clip DIN Rail End Stop Hold Down Spring	100 100 100	PMC-A1 PFP-M PYC-B2

② Additional coil voltages available — consult Contact Customer Support Centre 1-800-268-3578.

③ IP20 rated. Table 3-54.

D7PR Series — Standard

Dimensions

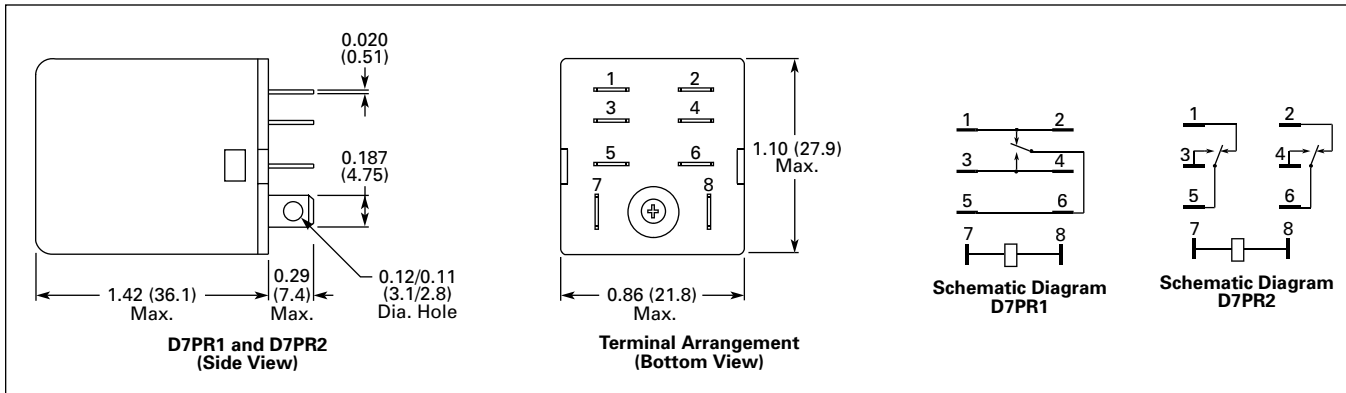


Figure 3-54. D7PR1 and D7PR2 — Approximate Dimensions in Inches (mm)

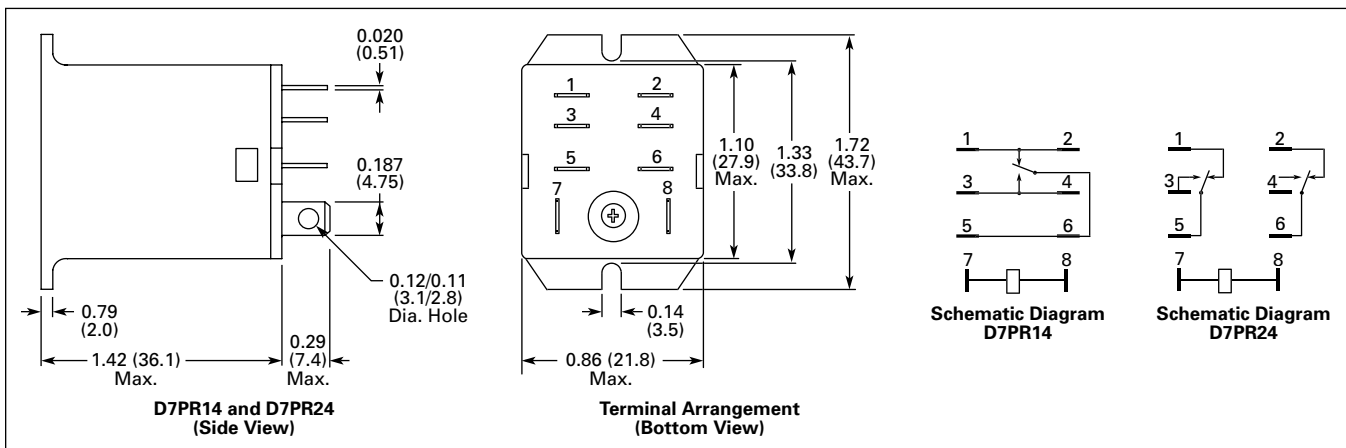


Figure 3-55. D7PR14 and D7PR24 — Approximate Dimensions in Inches (mm)

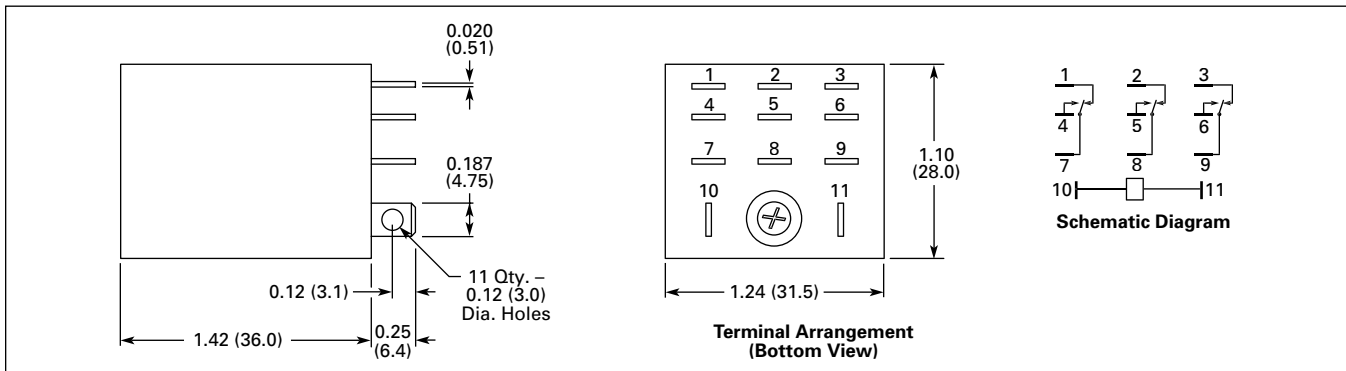


Figure 3-56. D7PR3 — Approximate Dimensions in Inches (mm)