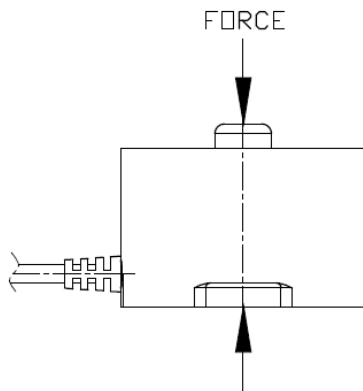
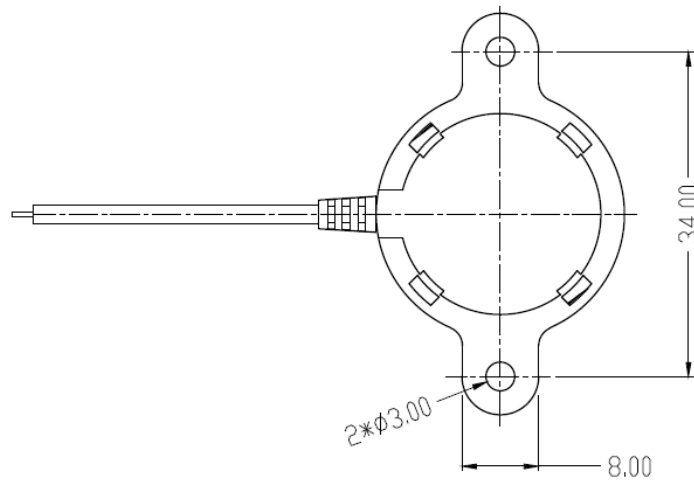
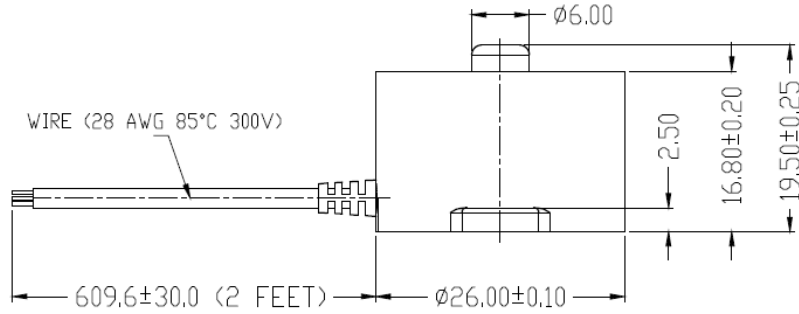


DIMENSIONS

FC2201:
FC2211:
FC2231:



WIRE NOTE:

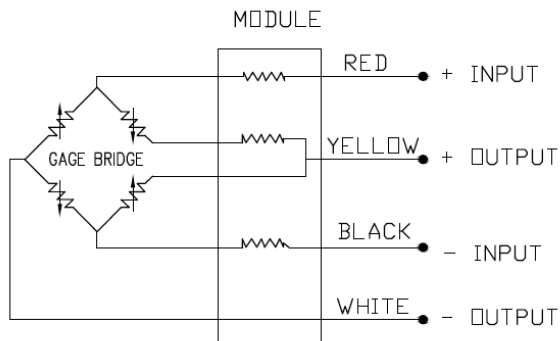
| P/N | WIRE CONNECTIONS |
|------------------|--------------------------------|
| FC2201 FC2211 | 4 CORE WIRE (28 AWG 85°C 300V) |
| | 1: YELLOW: +OUTPUT |
| | 2: WHITE: -OUTPUT |
| | 3: RED: +INPUT |
| FC2231 | 4: BLACK: -INPUT |
| | 3 CORE WIRE (28 AWG 85°C 300V) |
| | 1: YELLOW: +OUTPUT |
| | 2: RED: +INPUT |
| | 3: BLACK: COMMON |

CONNECTIONS

FC2201:

FC2211:

MILLIVOLT OUTPUT VERSION



FC2231:

AMPLIFIED OUTPUT VERSION

