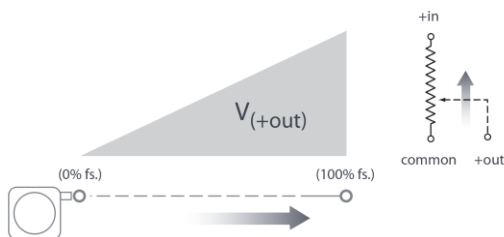


The SP2 String Pot from Celesco is a compact, economical and water resistant device that utilizes a flexible cable, a spring-loaded spool and a potentiometer to detect and measure linear position.

The SP2 is identical to the SP1 except for an added 40-inch electrical cable with a watertight rubber strain relief. The SP2 has been compactly designed for tight spaces and high cycle applications and generously allows for measuring cable misalignment. With 4 different ranges and a handy mounting bracket, the SP2 is a perfect solution for many applications from light industrial to OEM.

### Output Signal



## SP2

### Compact String Pot • Incremental

**Linear Position to 50 inches (1270 mm)**

**Low-Cost, Long Life • Rugged Polycarbonate Enclosure**

**40-in. Electrical Cable • Free-Release Tolerant**

**In Stock for Quick Delivery!**

### Specifications

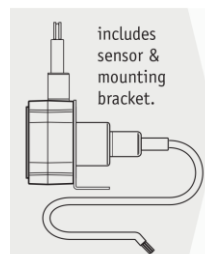
|                                   |   |
|-----------------------------------|---|
| <b>Full Stroke Range Options</b>  | 0-4.75, 0-12.5, 0-25, 0-50 inches           |
| <b>Output Signal</b>              | voltage divider (potentiometer)             |
| <b>Accuracy</b>                   | ±0.25 to ±1.00% (see part no. above)        |
| <b>Repeatability</b>              | ± 0.05% full stroke                         |
| <b>Resolution</b>                 | essentially infinite                        |
| <b>Measuring Cable</b>            | 0.019-in. dia. nylon-coated stainless steel |
| <b>Measuring Cable Tension</b>    | 7 oz. (1.9 N) ±25%                          |
| <b>Maximum Cable Acceleration</b> | 15 g  |
| <b>Enclosure Material</b>         | polycarbonate                               |
| <b>Sensor</b>                     | plastic-hybrid precision potentiometer      |
| <b>Weight</b>                     | 5 oz. (w/o mounting bracket) max.           |

### Electrical

|  |  |
|--|--|
| <b>Input Resistance</b>                            | 10K ohms, ±10%                                   |
| <b>Power Rating, Watts</b>                         | 2.0 at 70°F derated to 0 at 250°                 |
| <b>Recommended Maximum Input Voltage</b>           | 30 V (AC/DC)                                     |
| <b>Output Signal Change Over Full Stroke Range</b> | 94% ±4% of input voltage                         |
| <b>Electrical Connection</b>                       | 40-inch long, 24 gauge shielded electrical cable |

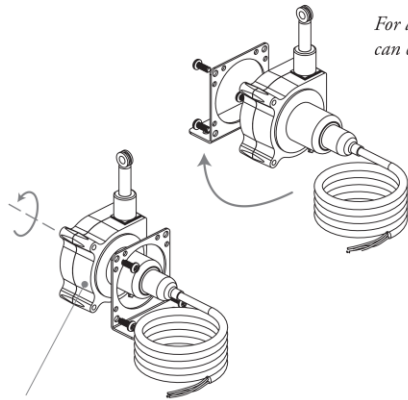
### Environmental

|                              |                               |
|------------------------------|-------------------------------|
| <b>Enclosure</b>             | IP 50                         |
| <b>Operating Temperature</b> | 0° to 160°F (-18° to 71°C)    |
| <b>Vibration</b>             | up to 10 g to 2000 Hz maximum |



| Part No.      | full stroke range | accuracy (% of fs.) | cycle life  |
|---------------|-------------------|---------------------|-------------|
| <b>SP2-4</b>  | 4.75 in (120 mm)  | 1.00%               | 2.5M cycles |
| <b>SP2-12</b> | 12.5 in (317 mm)  | 0.25%               | 500K cycles |
| <b>SP2-25</b> | 25 in (635 mm)    | 0.25%               | 500K cycles |
| <b>SP2-50</b> | 50 in (1270 mm)   | 0.25%               | 250K cycles |

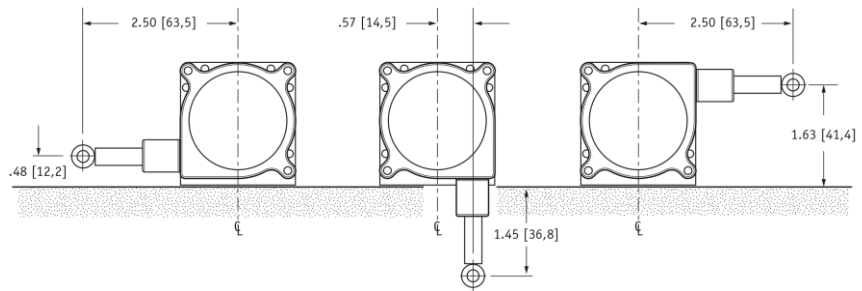
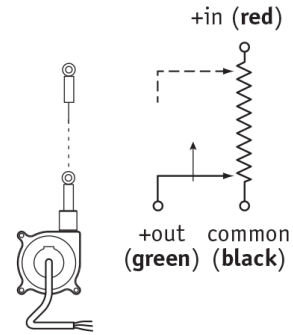
**Mounting Options**



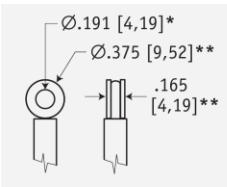
For added flexibility, mounting bracket can easily be switched to the opposite side.

To change measuring cable direction simply remove the 3 bracket attaching screws and rotate sensor body to desired direction.

**Electrical Connection**

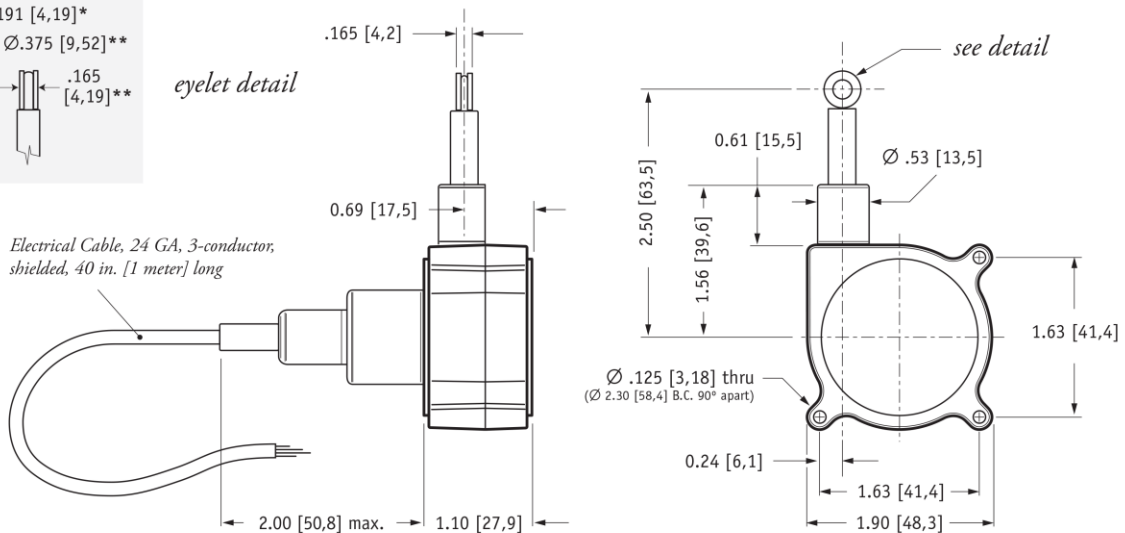


**Outline Drawing (w/o bracket)**



eyelet detail

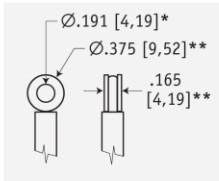
Electrical Cable, 24 GA, 3-conductor, shielded, 40 in. [1 meter] long



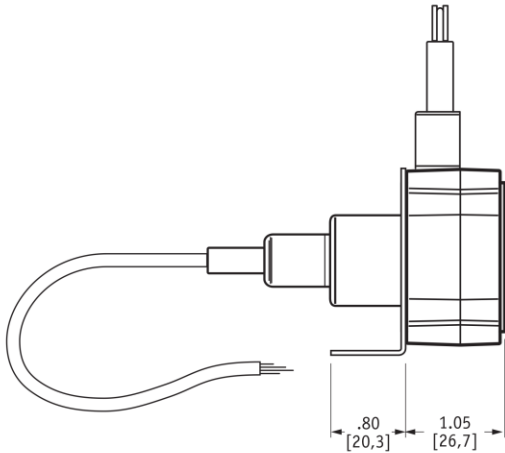
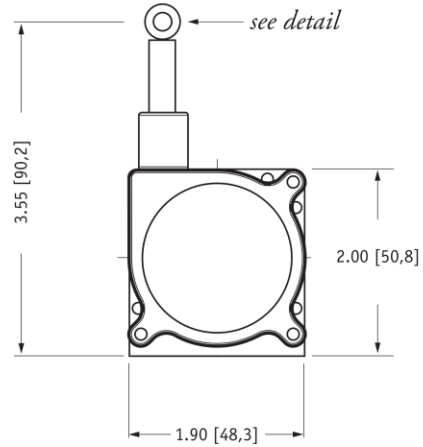
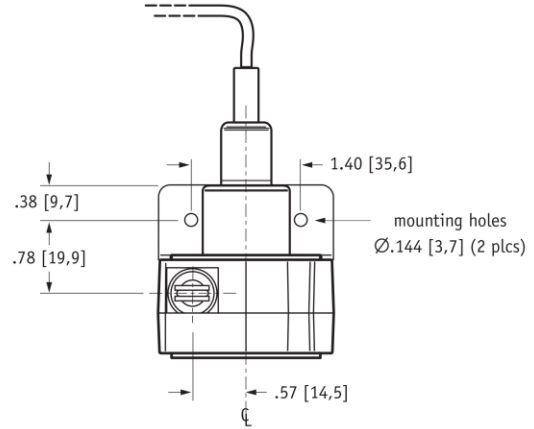
DIMENSIONS ARE IN INCHES [MM]  
tolerances are 0.04 IN. [1,0 MM] unless otherwise noted.

\* tolerance = +.005 -0.001 [+0,1 -0,0]  
\*\* tolerance = +.005 -0.005 [+0,1 -0,1]

Outline Drawing (w/ bracket)



*eyelet detail*



DIMENSIONS ARE IN INCHES [MM]  
tolerances are 0.04 IN. [1,0 MM] unless otherwise noted.

\* tolerance = +.005 - .001 [+0,1 -0,0]  
\*\* tolerance = +.005 - .005 [+0,1 -0,1]

**NORTH AMERICA**

Measurement Specialties, Inc.,  
a TE Connectivity company  
20630 Plummer Street  
Chatsworth, CA 91311  
Tel +1 800 423 5483  
Tel +1 818 701 2750  
Fax +1 818 701 2799  
info@celesco.com

**TE.com/sensorsolutions**

Measurement Specialties, Inc., a TE Connectivity company.

Measurement Specialties, TE Connectivity, TE Connectivity (logo) and EVERY CONNECTION COUNTS are trademarks. All other logos, products and/or company names referred to herein might be trademarks of their respective owners.

The information given herein, including drawings, illustrations and schematics which are intended for illustration purposes only, is believed to be reliable. However, TE Connectivity makes no warranties as to its accuracy or completeness and disclaims any liability in connection with its use. TE Connectivity's obligations shall only be as set forth in TE Connectivity's Standard Terms and Conditions of Sale for this product and in no case will TE Connectivity be liable for any incidental, indirect or consequential damages arising out of the sale, resale, use or misuse of the product. Users of TE Connectivity products should make their own evaluation to determine the suitability of each such product for the specific application.

© 2015 TE Connectivity Ltd. family of companies All Rights Reserved.

SP2 12/01/2015