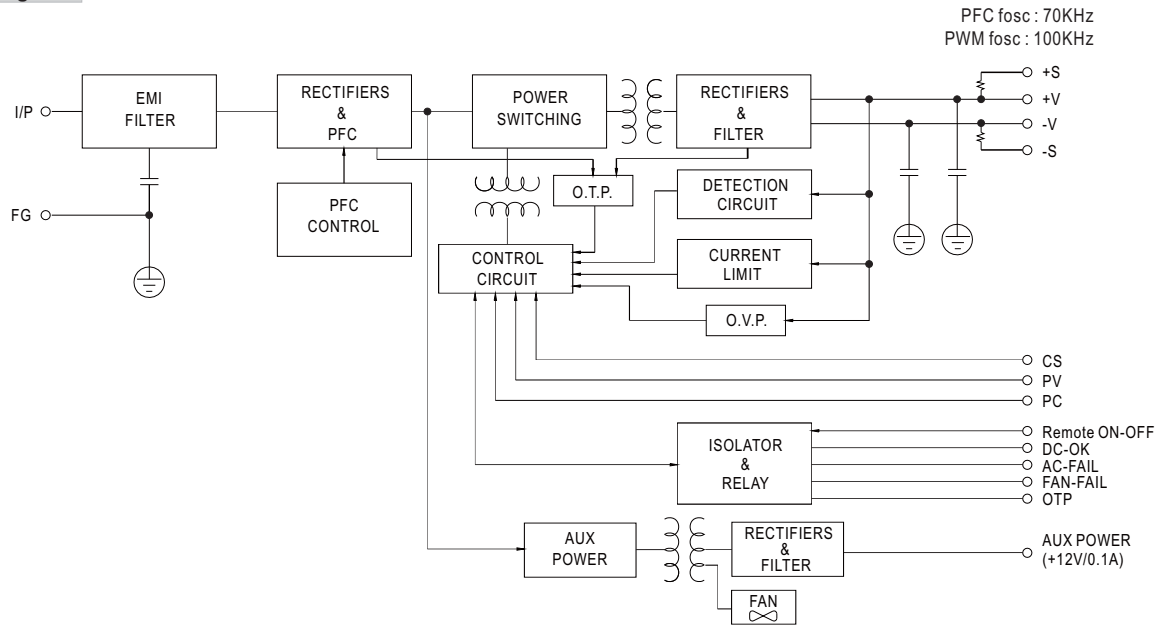
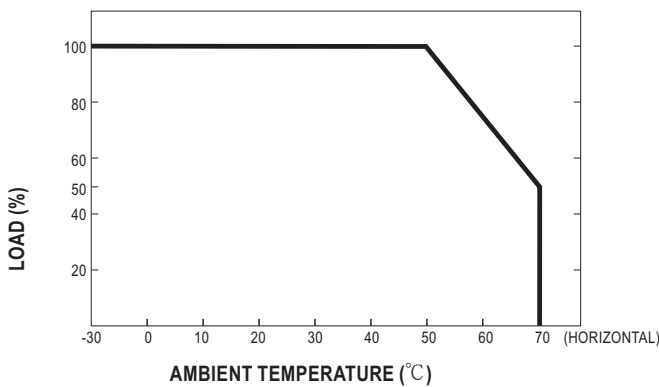


### Block Diagram

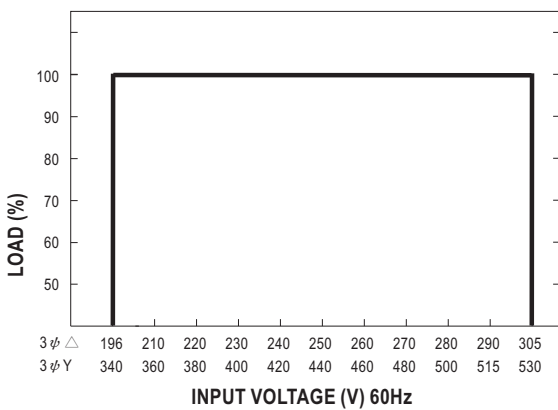


### Derating Curve

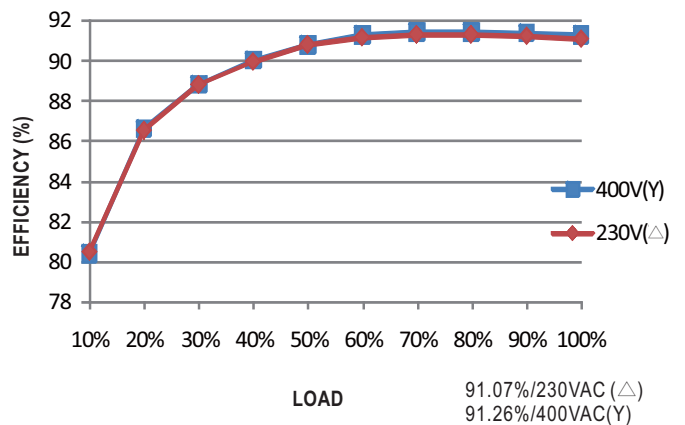


MODEL	24V	36V	48V
INPUT			
△ 196~305VAC	9600W	9936W	10080W
340~530VAC	400A	276A	210A

### Static Characteristics



### Efficiency vs Load (48V Model)



## AC Power Connection

◎ 3 $\phi$  3 wire /  $\Delta$  230VAC

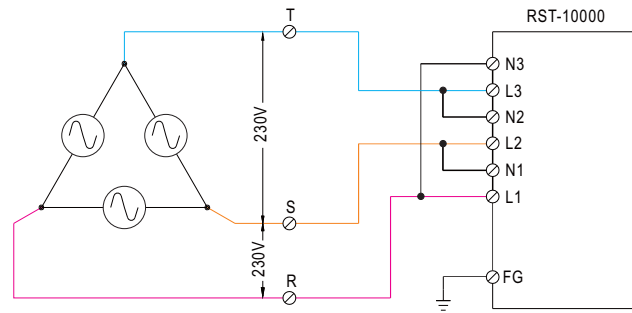


Fig 1.1

◎ 3 $\phi$  4 wire / Y 400VAC

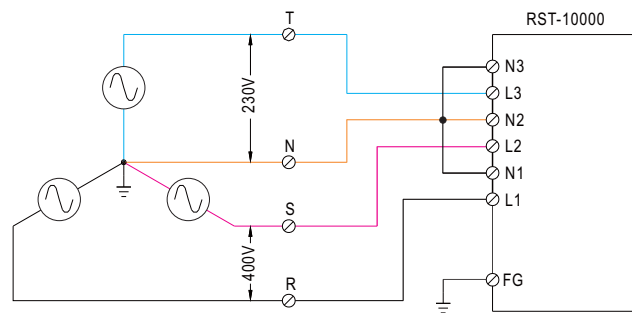


Fig 1.2

## Function Manual

### 1. Remote Sense

- ※ The remote sense function compensates the voltage drop on the cable, between the power supply and the load, up to 0.3V.
- ※ If the remote sense function is not required, +S and +V of the output terminal, as well as -S and -V, need to be connected to be free from noise and interference. (+S and +V of the output terminal, -S and -V are connected as factory default setting)

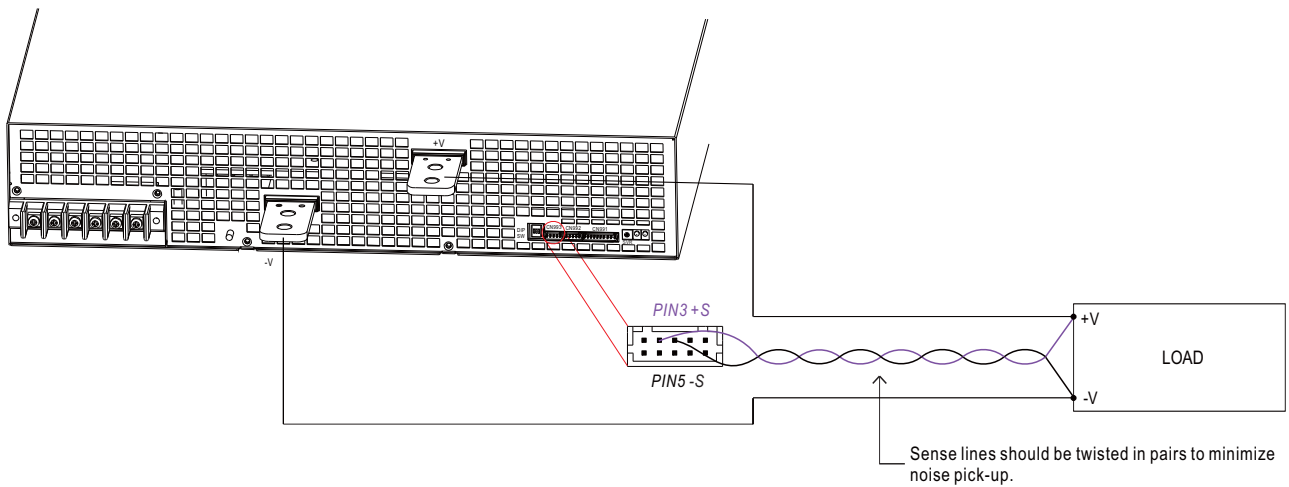


Fig 1.1