



Miniature Panel Sockets



'Panel mounting sockets'

About Labfacility

Formed in 1971, Labfacility specialize in the field of Temperature and Process Measurement.

We are the largest UK manufacturer of both temperature sensors and thermocouple connectors

Quality & Service

Quality and Service are key elements in the continued growth of Labfacility.

Technical support is always freely available from our experienced technical sales teams and the company has ISO9001 accreditation.

Contact Details

Email
sales@labfacility.com

Website
www.labfacility.com

- Miniature thermocouple fascia mounting sockets with clip
- All fascia mounting sockets are polarised by means of unequally sized pins
- Panel mounting
- Nylon clip for quick, simple fixing to panel
- Available in Thermocouple types K, J, T, E, N, R/S, B & Copper
- For Types K, J, T, E & N contacts are made from true Thermocouple alloys
- R/S type has compensating copper/copper nickel alloy contacts
- B type has compensating copper/copper contacts
- Colour coded in accordance with IEC specification
- Max temperature 120 deg°C

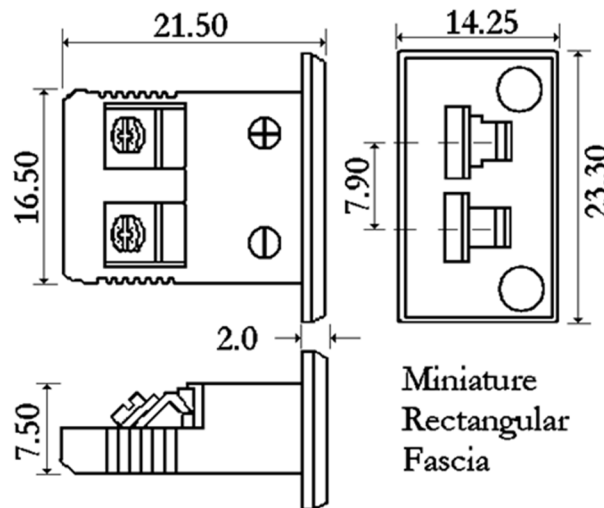
T/C Type	Colour Code (IEC)	+Positive (alloy type)	-Negative (alloy type)	Part Code	Farnell Order Code
K	Green	+Nickel Chromium	-Nickel Alloy	IM-K-FF	708-6386
J	Black	+Iron	-Copper Nickel	IM-J-FF	151-130
T	Brown	+Copper	-Copper Nickel	IM-T-FF	708-6416
N	Pink	+Nickel/Chro/Silicon	-Nickel Silicon	IM-N-FF	708-6441
Copper	White	+Copper	-Copper	IM-CU-FF	721-8886
B	Grey	+Copper	-Copper	IM-B-FF	234-7033
E	Violet	+Nickel Chromium	-Copper Nickel	IM-E-FF	234-7034
R/S	Orange	+Copper	-Copper Alloy	IM-R/S-FF	234-7035

LABFACILITY

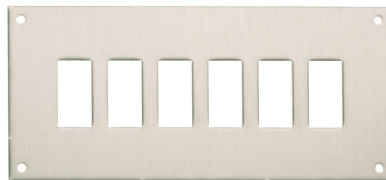
TEMPERATURE & PROCESS TECHNOLOGY

Specifications & Accessories

Schematic Drawings



Accessories



'6 Way panel for miniature fascia sockets'

Panel Size	No. of rows/holes	Width	Height	Thickness	Product Code	Farnell Order Code
6 way	1 x 6	115mm	45mm	2mm	FMP-6	708-8164

About Labfacility

Formed in 1971, Labfacility specialize in the field of Temperature and Process Measurement.

We are the largest UK manufacturer of both temperature sensors and thermocouple connectors.

Quality & Service

Quality and Service are key elements in the continued growth of Labfacility.

Technical support is always freely available from our experienced technical sales teams and the company has ISO9001 accreditation.

Contact Details

Email
sales@labfacility.com

Website
www.labfacility.com