

Benzstr. 30 D - 82178 Puchheim  
 Tel. +49 (0) 89/800617-0  
 Fax +49 (0) 89/800617-61  
 Email info@ami-elektronik.de

## Type AMI 100/110

### PULSES

Each pulse rate up to 10000 pulses per revolution

Interpolation

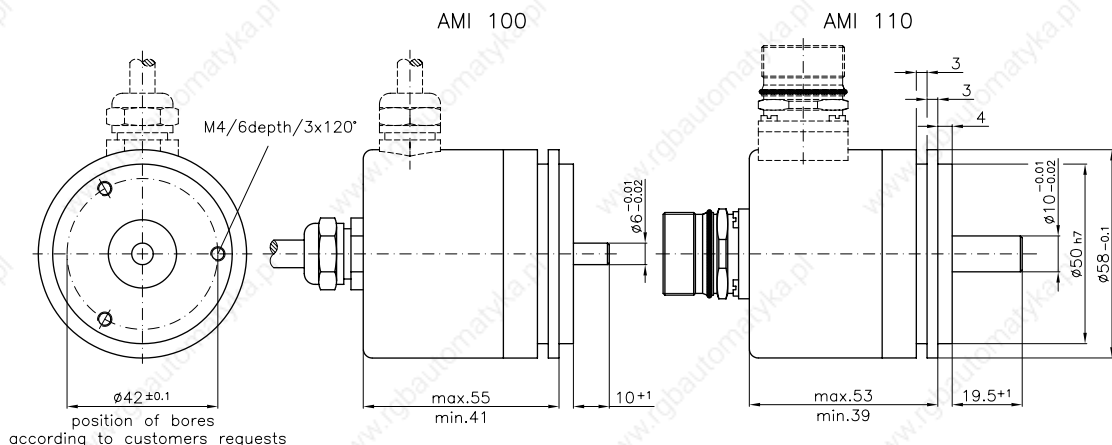
internal 5/10/25/50 times interpolation optional

### MECHANICAL DATA

Shaft	Ø 6...10 mm, stainless steel
Shaft load	axial 10 N, radial 20 N
Rotating speed	max. 10.000 rpm
Working temperature	0° C...+80° C
Vibration	10 g (20...2000 Hz)
Shock	100 g (11 ms)
Ingress protection	IP 64 on shaft (optional IP67)
89/366/EWG EMV-rules	EN 50081 part 2, EN 50082 part 2

### ELECTRICAL DATA

Signals	square wave and sinusoidal
Light source	LED
Operating voltage	5 Volt ± 5%, 10...30 Volt
Current consumption without load	max 100 mA
Scan frequency	300 kHz with square wave 5 Volt 300 kHz with square wave 10...30 Volt
Output level	5 Volt Line-Driver 10...30 Volt push-pull short-circuit proof
Current output	20 mA
Output signals	2 channels A and B phase-shifted 90° electrically zero-pulse 1 pulse per revolution length 90°, 180° oder 360° electrically all signals with inversion



Rotary encoder

AMI 100/110

AMI 200

AMI 300

AMI 401/402

AMI 410/411

AMI 412/423

Hollow shaft encoder

AMI 501/502

AMI 503

AMI 512

AMI 513

Angle encoder

AMI 1310

AMI 1503

AMI 1513

AMI 1526

Special encoder

Handwheel magnetic

PRO 100

PRO 200

PRO 512

AMI 449

AMI 487

AMI 492

Accessories

Connectors

Couplings

Flanges

Clamping lugs