

CAN-PCI/331

Up to Two Channel PCI-CAN Interface (Layer 2, CANopen® or J1939)



1 or 2 Channel CAN Interface for PCs available with high-speed and low-speed CAN Versions

- Up to two high-speed CAN interfaces according to ISO 11898, electrically isolated
- 1x low-speed CAN interface according to ISO 11519-2 available
- Powerful microcontroller 68331 reduces CPU load

Real-time OS Support and Higher Layer Protocols CANopen and J1939

- Software drivers for Windows®, VxWorks®, Linux®, QNX®
- CANopen and J1939 protocol libraries are available

Well-established Product, approved in medical Applications



CAN Interface

The ISO 11898 compliant CAN interfaces allow a data transfer rate of 1 Mbit/s. The CAN interface is electrically isolated from the other potentials.

Software Support

Software drivers are available for Windows®, Linux®, RTX, VxWorks®, QNX®, SGI®-IRIX®6.5, AIX® and Solaris®. Drivers for other operating systems are available as well.

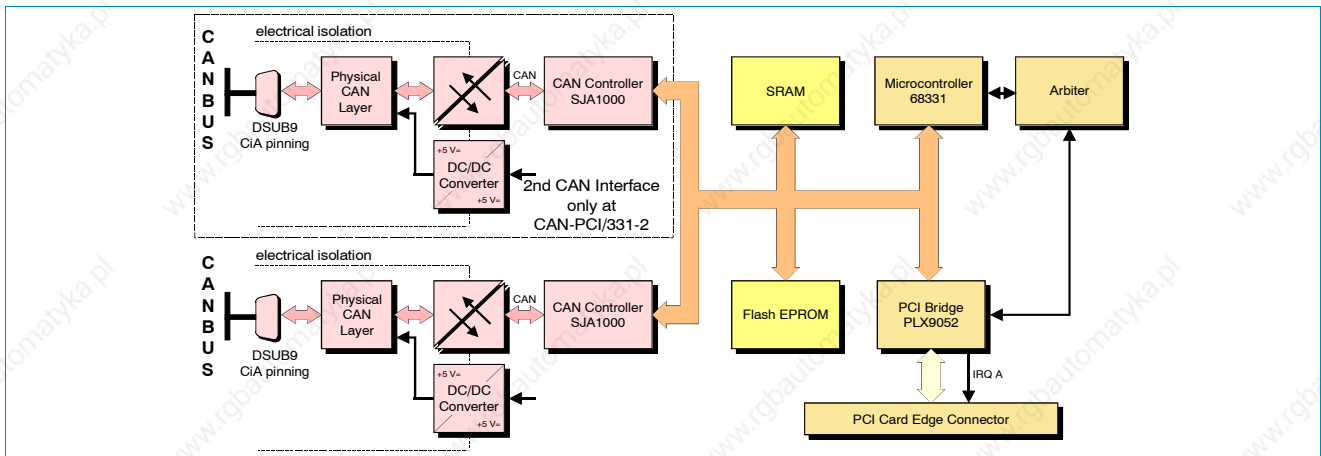
Custom firmware is possible.

Libraries for the higher layer protocols CANopen and J1939 are available.

Additional free-of-charge esd CAN tools for Windows offer efficient setup and analysis of CAN applications and networks.

Powerful CAN Interfaces for PCs

The module CAN-PCI/331 is a PC board designed for the PCI bus. It uses a microcontroller of type 68331, which cares for the local CAN data management. The CAN data is stored in a local SRAM. Reliability of data and data consistency is guaranteed for up to 1 Mbit/s.



Technical Specifications:

PCI Interface and Microcontroller:	
PCI bridge	PLX PCI9052
PCI standard	PCI bus according to PCI Local Bus Specification 2.1
Microcontroller	68331
Memory equipped	128 k x 16 bits SRAM, 128 k x 8 bits Flash EPROM
CAN Bus:	
CAN controller	SJA1000, ISO 11898-1
CAN interface	differential, electrically isolated, 1 Mbit/s, ISO 11898-2
General:	
Temperature	0...50°C
Humidity	max. 90 %, non-condensing
Supply voltage	5 VDC
Connector	CAN: 9-pin DSUB (male)

Order Information:	
Hardware	Order No.
CAN-PCI/331-1 1xCAN 11-bit	C.2020.02
CAN-PCI/331-1 1xCAN 29-bit	C.2020.03
CAN-PCI/331-2 2xCAN 11-bit	C.2020.04
CAN-PCI/331-2 2xCAN 29-bit	C.2020.05
CAN-PCI/331-2 1xCAN low-speed, ISO 11519-2	C.2020.40
1xCAN high-speed, ISO 11898	

CAN layer 2 drivers for Windows and Linux are included in delivery¹.

Software Support	
Additional CAN layer 2 object licenses including CD-ROM ¹ :	
CAN-DRV-LCD QNX	C.1101.32
CAN-DRV LCD RTX	C.1101.35
CAN-DRV LCD VxWorks	C.1101.55
CANopen object licenses including CD-ROM ¹ :	
CANopen-LCD Windows/Linux	C.1101.06
CANopen-LCD QNX	C.1101.17
CANopen-LCD RTX	C.1101.16
CANopen-LCD VxWorks	C.1101.18
J1939 Stack object licenses including CD-ROM ¹ :	
J1939 Stack for Windows	C.1130.10
J1939 Stack for Linux	C.1130.11

¹ For detailed information about driver availability for your operating system please contact our sales team.