

Oscilloscope

Osc. Active

Channel 1

Manual

Save

Button is clicked to activate oscilloscope or show graph at memory

To catch the last signal automatically

Synchronous

Channel 1

Up

1. Channel

Probe X1

Top Value : 2,98 V

Low Value : -0,02 V

Point :

Frequen. : 1,6 KHz

Position of probe's switch: X 1 or X 10

Ch.1 Input signal values

2. Channel

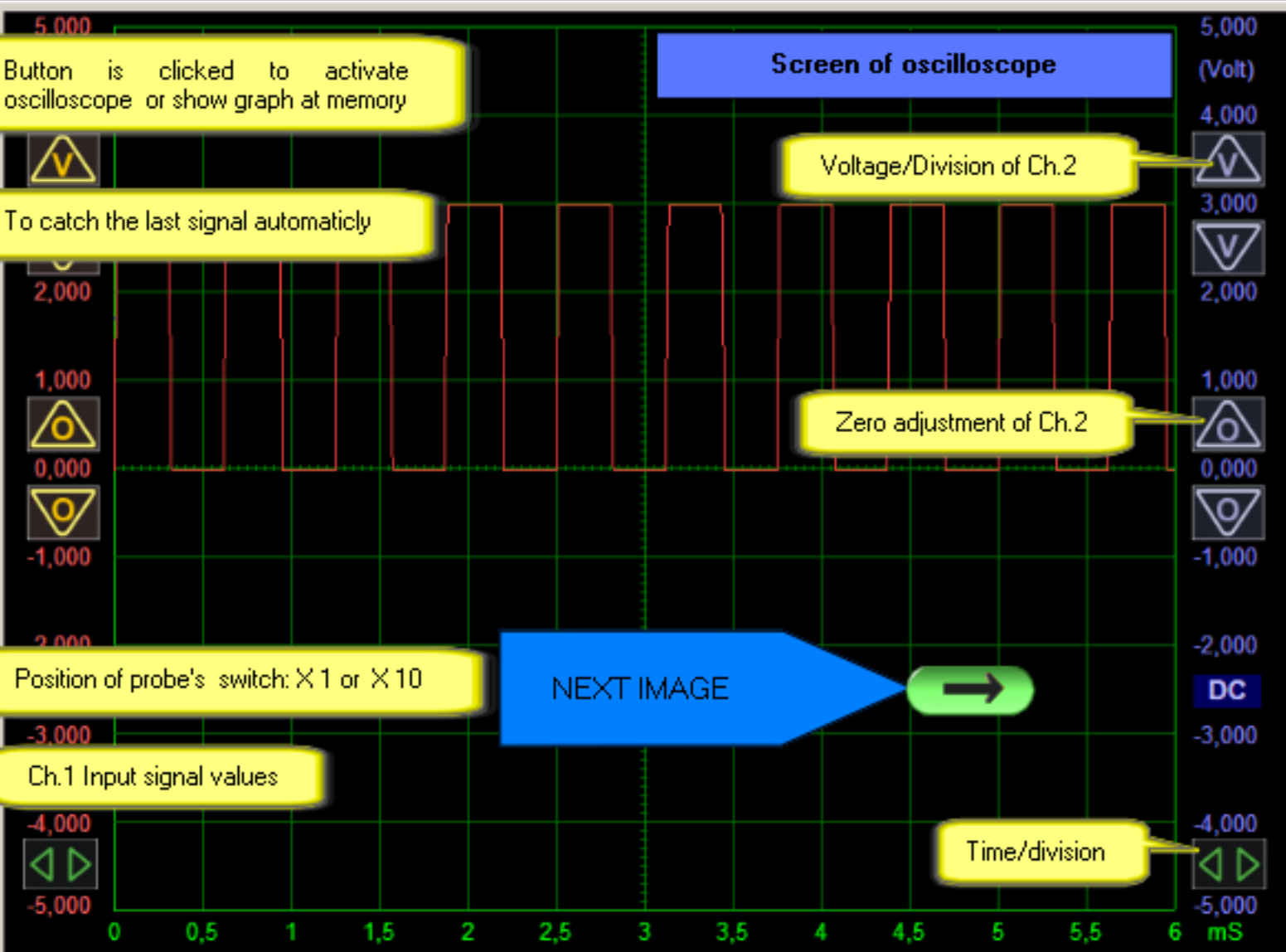
Probe X1

Top Value : 0,00 V

Low Value : 0,00 V

Point :

Frequen. :



ATTENTION: Chassis to connect to the point must be isolated or grounded. ADVICE: Use Probe is 10X position.

Analog Output (Channel 2)

Active

Ch.2 activates output signal

Frequency : 1600

Voltage mV: 3000

Design

Signal

DAC



Test:

Channel 1 - 2

Automatic

1 V
2 V
5 V
10 V

Very Low Frk.
Low 2 Frk.
Lov 1 Frk.
Test Frk.
H Frk (5-10V)

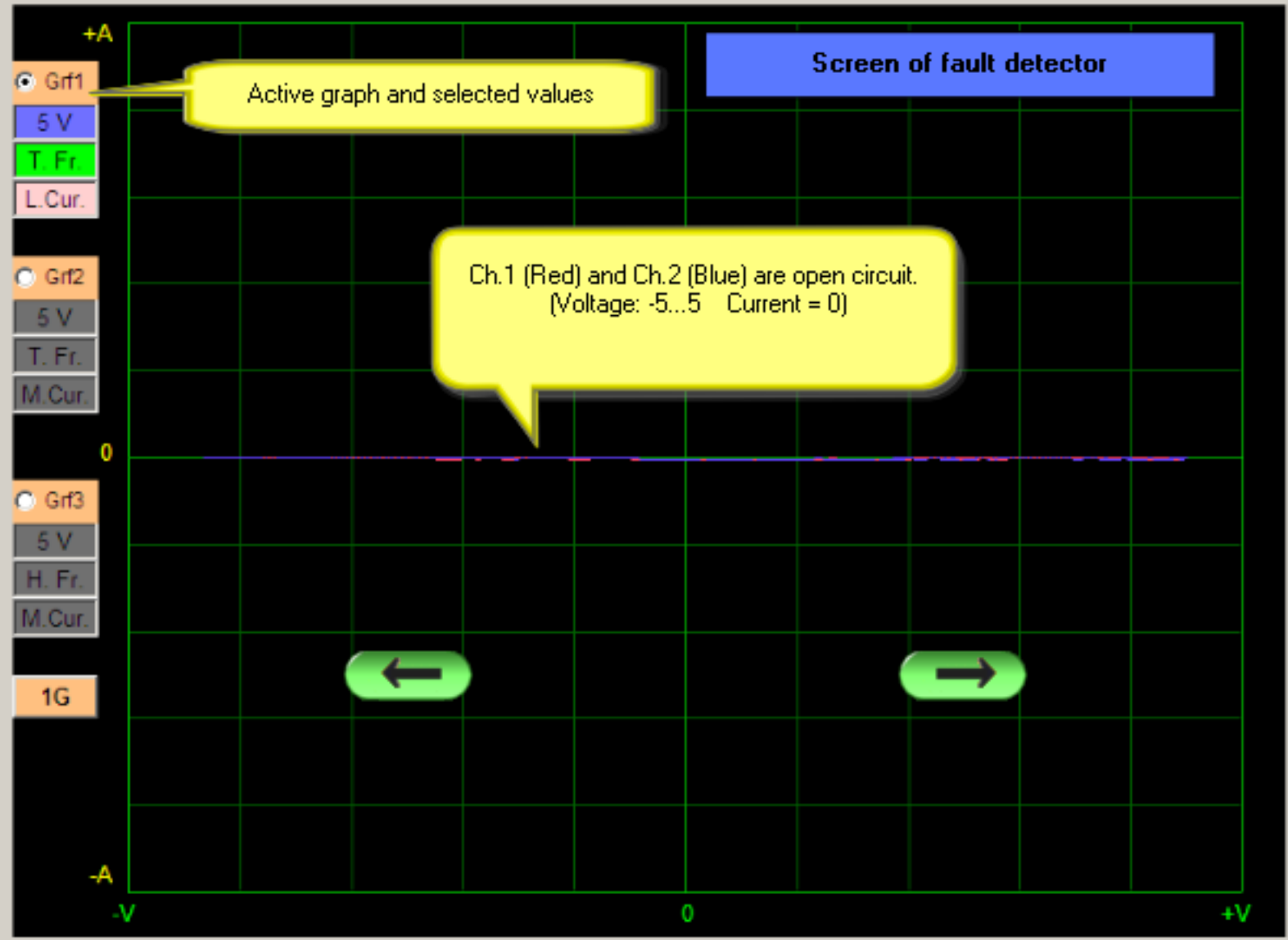
L. Current (47K)
M. Current (2K7)
H. Current (550)

Compare
 Capasite Test
 T.T.T. FET IGBT

Memory Save - Test

Recording

Tolerance (%)



ATTENTION: Probe must be at 1X position. High-voltage capacitors must be emptied by using a resistor.

Reference: Ch1 —

Open Circuit

Test: Ch2 —

Open Circuit

Click to display fault detector screen

Test:

Channel 1 - 2

Automatic

1 V
2 V
5 V
10 V

Very Low Frk.
Low 2 Frk.
Lov 1 Frk.
Test Frk.
H Frk (5-10V)

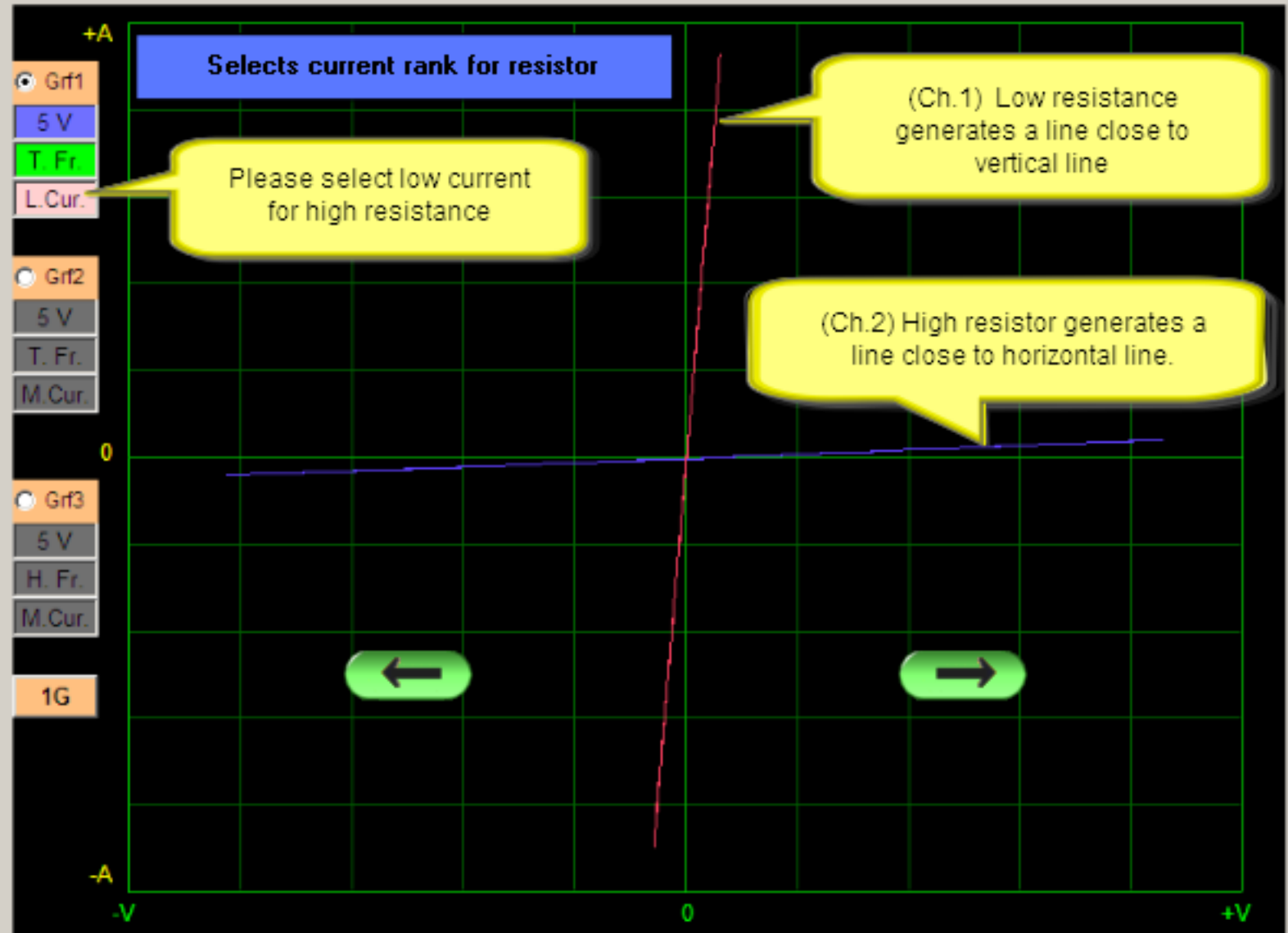
L. Current (47K)
M. Current (2K7)
H. Current (550)

Compare
 Capasite Test
 T.T.T. FET IGBT

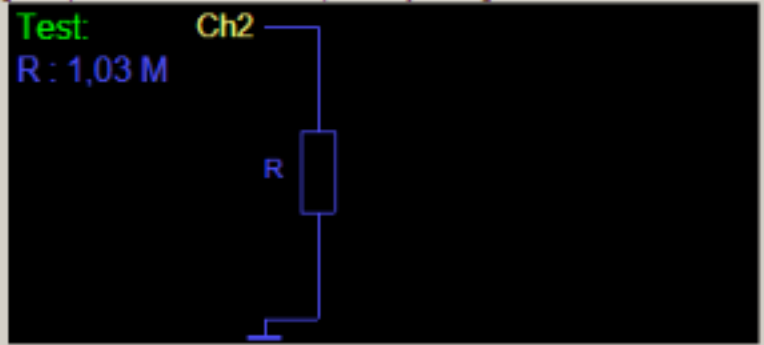
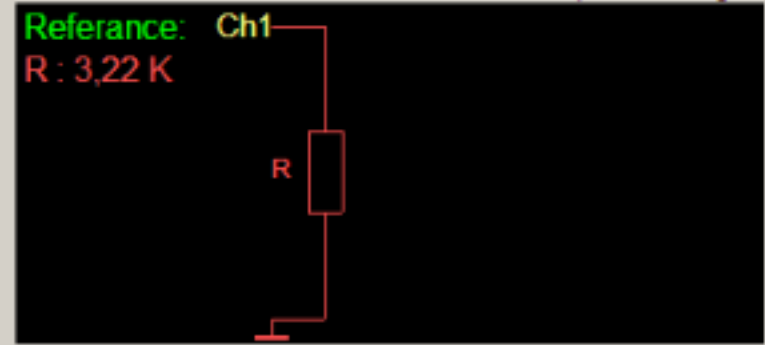
Memory Save - Test

Recording

Tolerance (%) **3**



ATTENTION: Probe must be at 1X position. High-voltage capacitors must be emptied by using a resistor.



Test:

Channel 1 - 2

Automatic

1 V
2 V
5 V
10 V

Very Low Frk.
Low 2 Frk.
Lov 1 Frk.
Test Frk.
H Frk (5-10V)

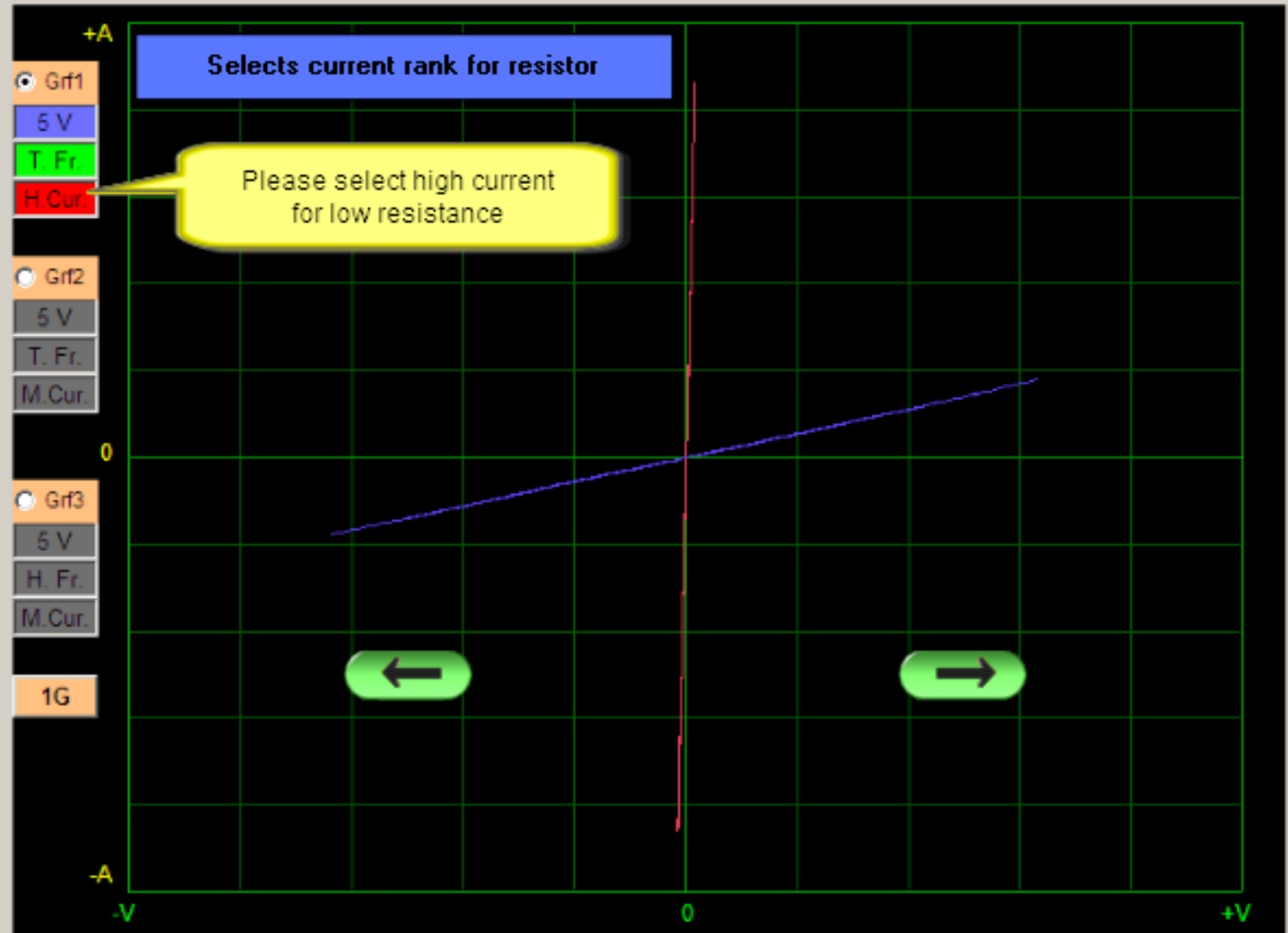
L. Current (47K)
M. Current (2K7)
H. Current (550)

Compare
 Capasite Test
 T.T.T. FET IGBT

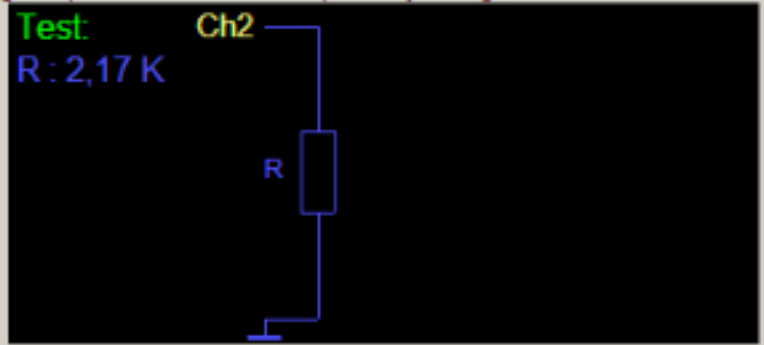
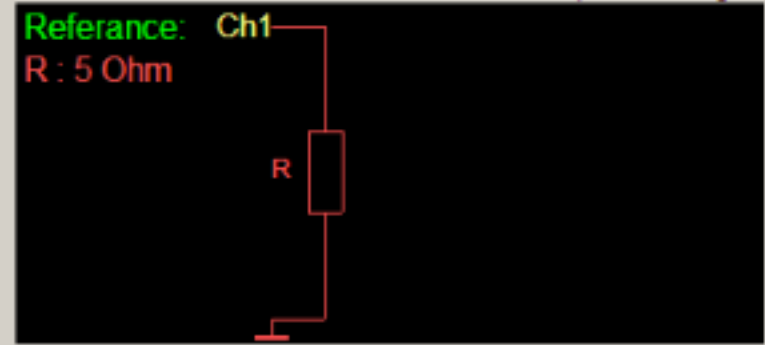
Memory Save - Test

Recording

Tolerance (%) **3**



ATTENTION: Probe must be at 1X position. High-voltage capacitors must be emptied by using a resistor.



Test:

Channel 1 - 2

Automatic

1 V
2 V
5 V
10 V

Very Low Frk.
Low 2 Frk.
Lov 1 Frk.
Test Frk.
H Frk (5-10V)

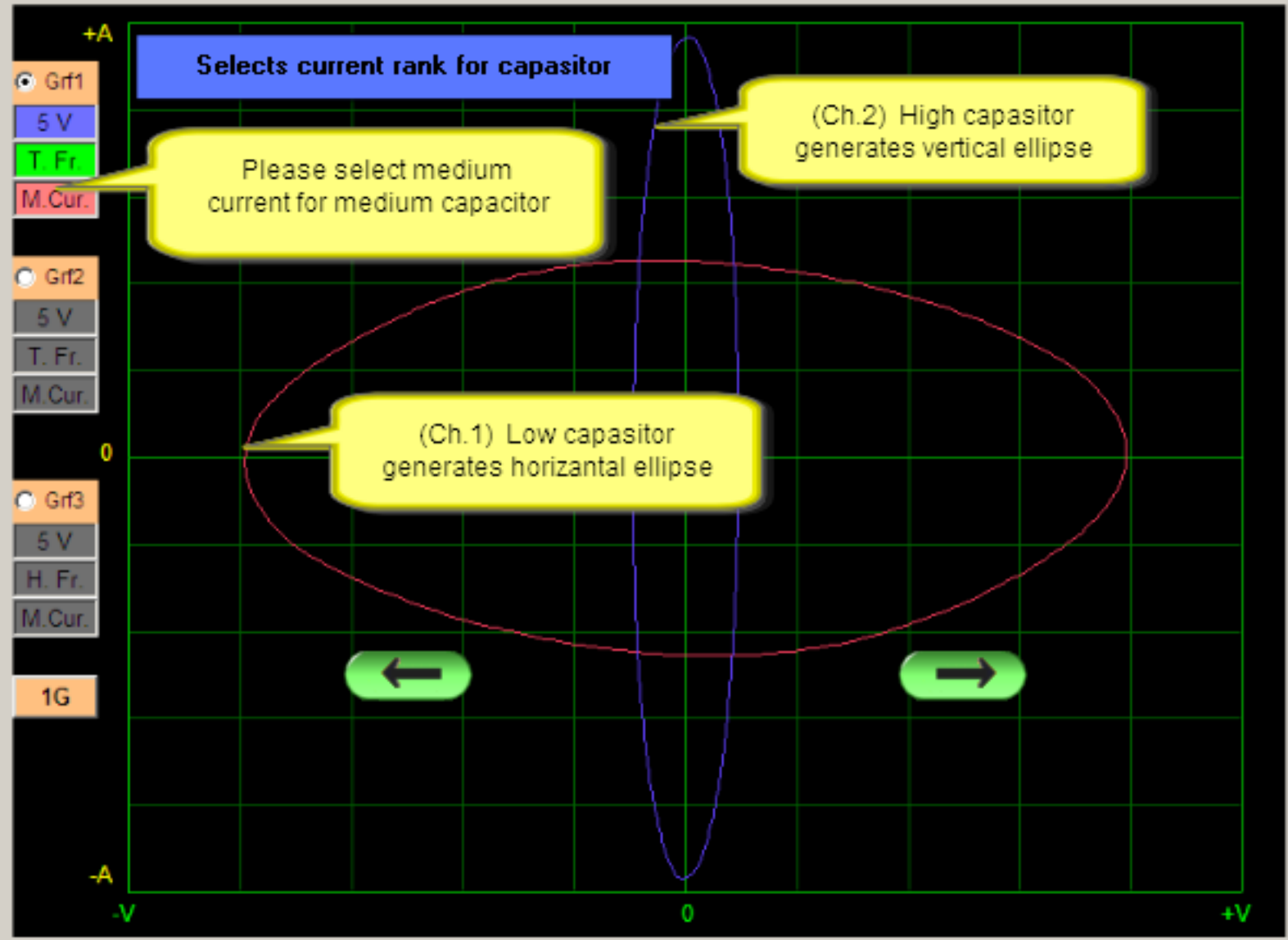
L. Current (47K)
M. Current (2K7)
H. Current (550)

Compare
 Capasite Test
 T.T.T. FET IGBT

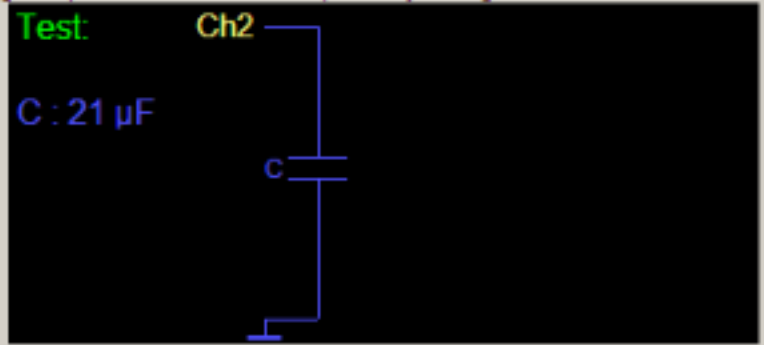
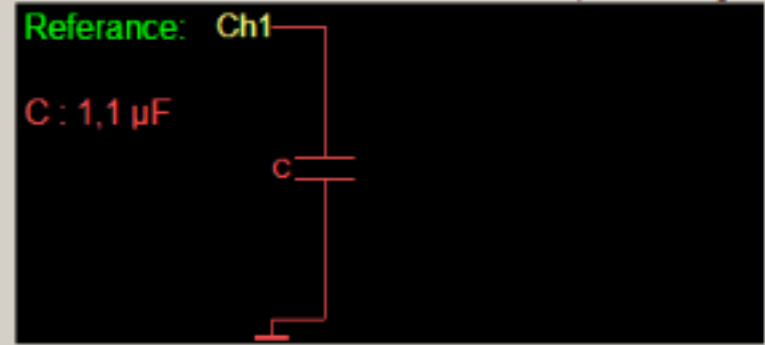
Memory Save - Test

Recording

Tolerance (%) **3**



ATTENTION: Probe must be at 1X position. High-voltage capacitors must be emptied by using a resistor.



Test:

Channel 1 - 2

Automatic

1 V
2 V
5 V
10 V

Very Low Frk.
Low 2 Frk.
Lov 1 Frk.
Test Frk.
H Frk (5-10V)

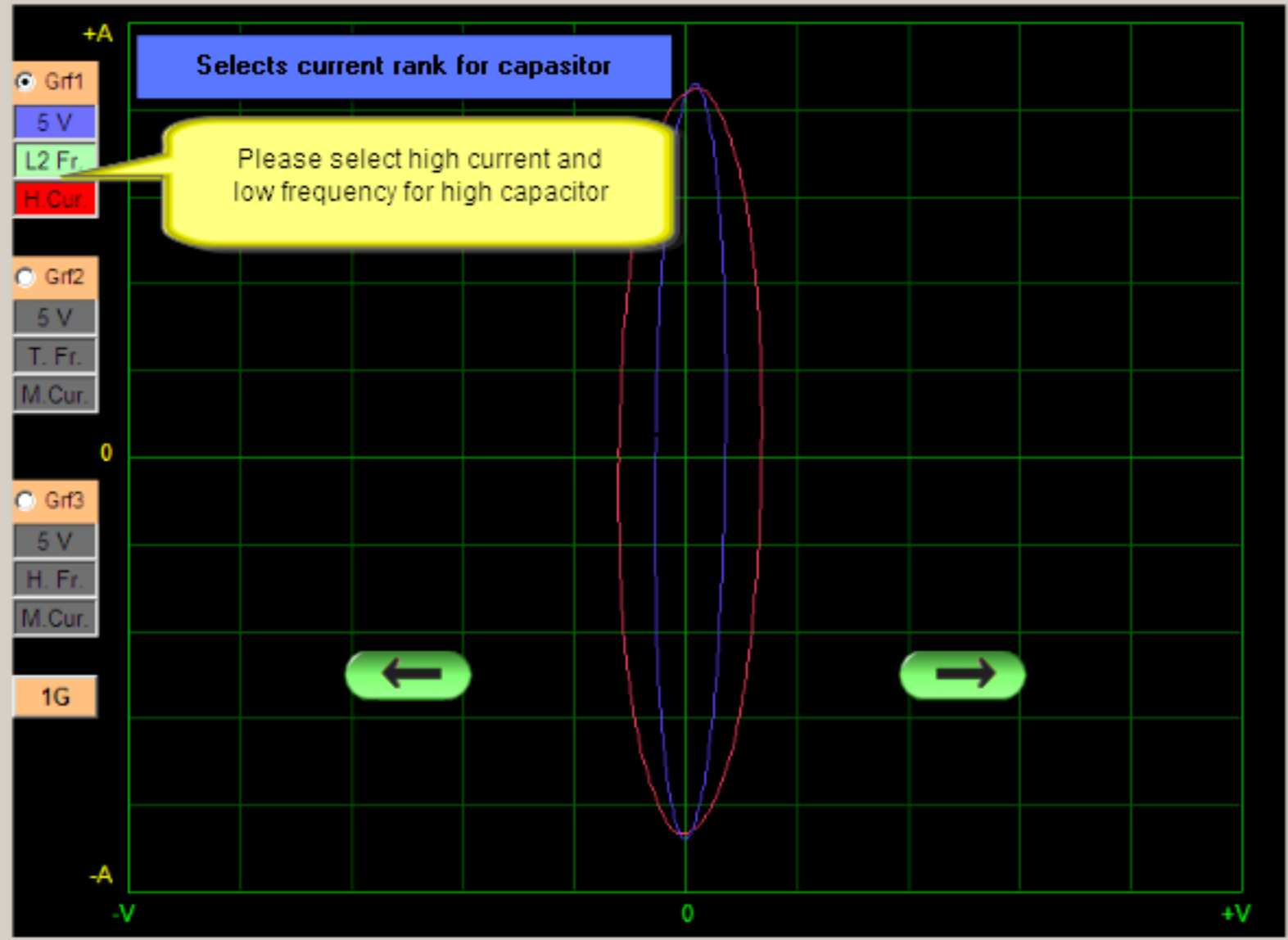
L. Current (47K)
M. Current (2K7)
H. Current (550)

Compare
 Capasite Test
 T.T.T. FET IGBT

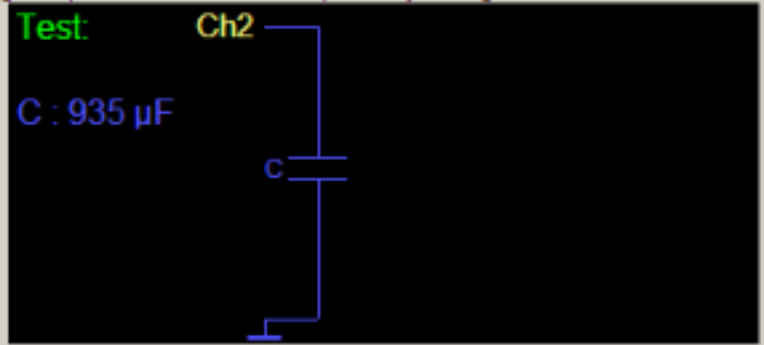
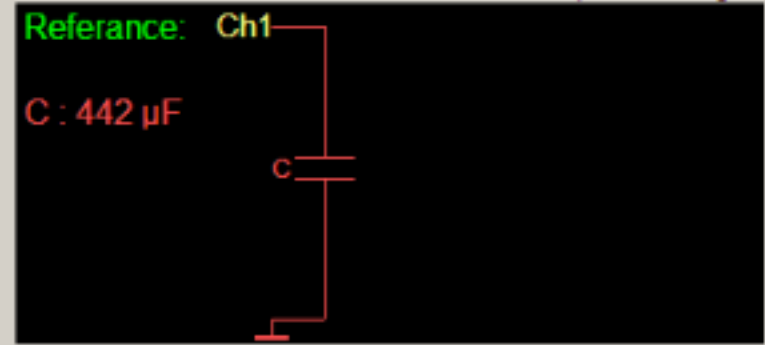
Memory Save - Test

Recording

Tolerance (%) **3**



ATTENTION: Probe must be at 1X position. High-voltage capacitors must be emptied by using a resistor.



Test:

Channel 1 - 2

Automatic

1 V
2 V
5 V
10 V

Very Low Frk.
Low 2 Frk.
Lov 1 Frk.
Test Frk.
H Frk (5-10V)

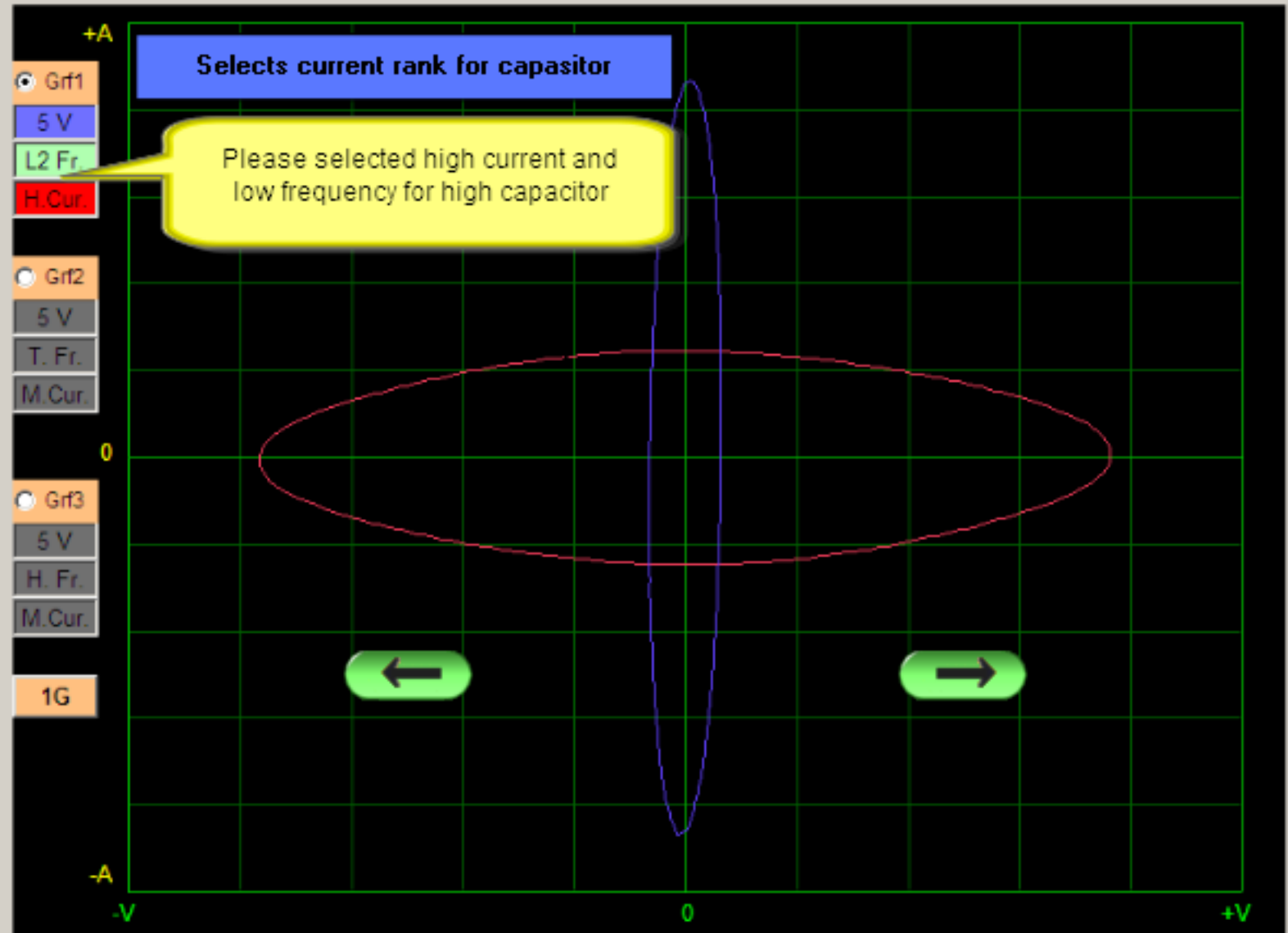
L. Current (47K)
M. Current (2K7)
H. Current (550)

Compare
 Capasite Test
 T.T.T. FET IGBT

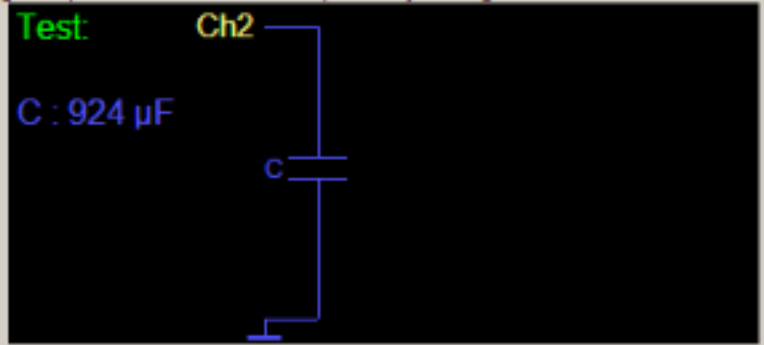
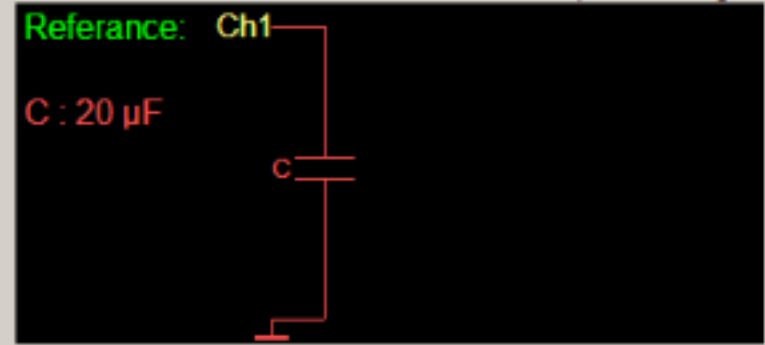
Memory Save - Test

Recording

Tolerance (%)



ATTENTION: Probe must be at 1X position. High-voltage capacitors must be emptied by using a resistor.



Test:

Channel 1 - 2

Automatic

1 V
2 V
5 V
10 V

Very Low Frk.
Low 2 Frk.
Lov 1 Frk.
Test Frk.
H Frk (5-10V)

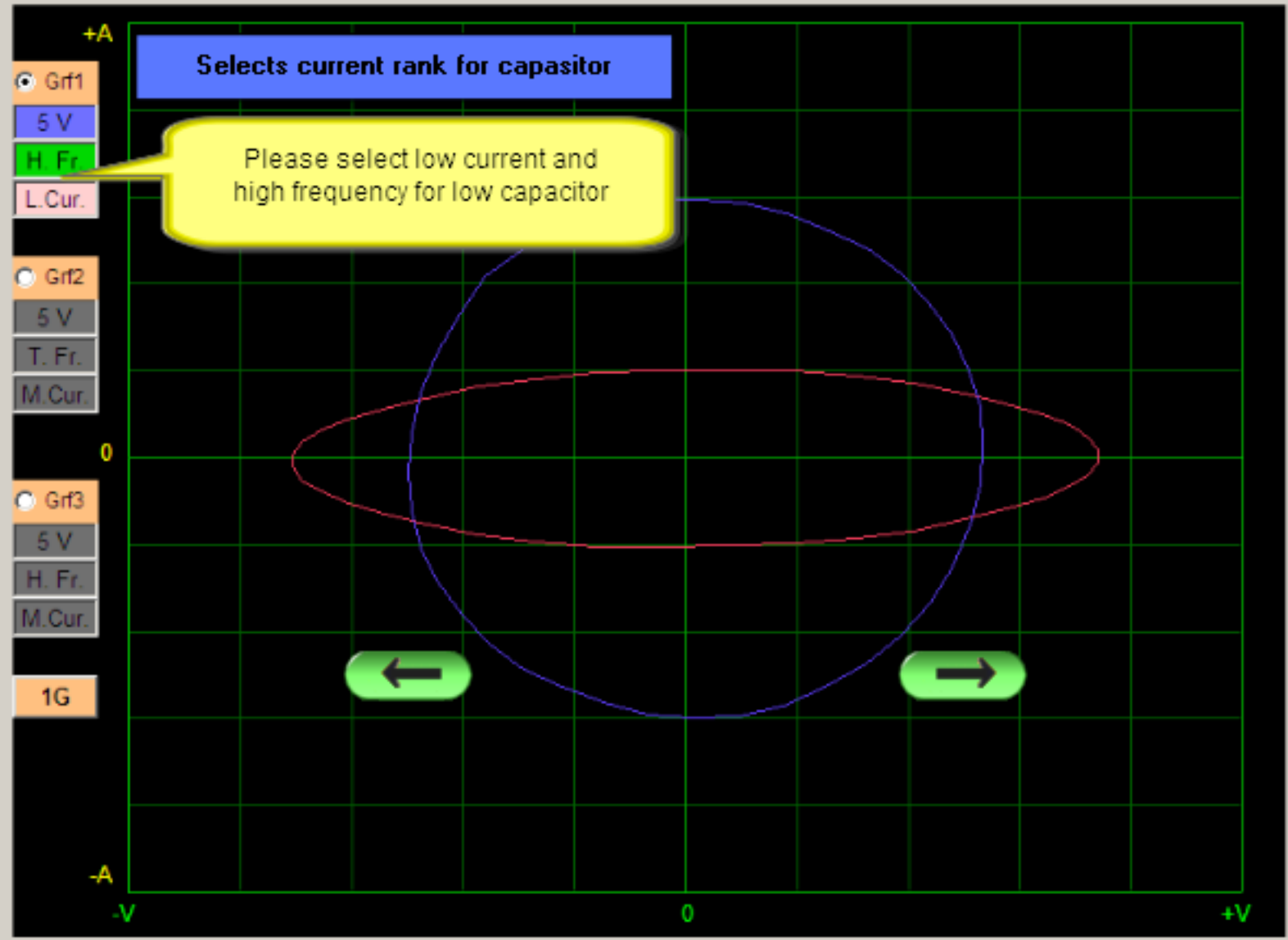
L. Current (47K)
M. Current (2K7)
H. Current (550)

Compare
 Capasite Test
 T.T.T. FET IGBT

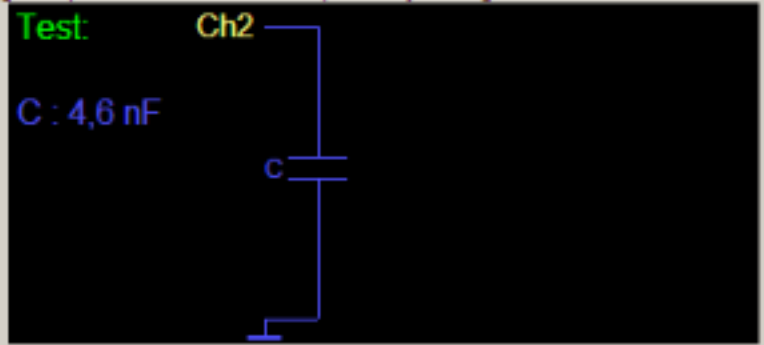
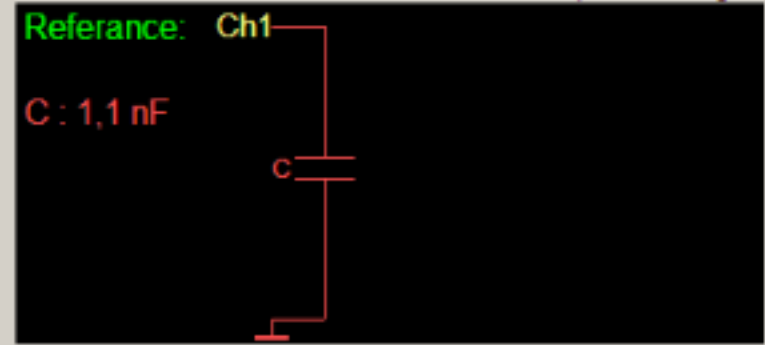
Memory Save - Test

Recording

Tolerance (%) **3**



ATTENTION: Probe must be at 1X position. High-voltage capacitors must be emptied by using a resistor.



Test:

Channel 1 - 2

Automatic

1 V
2 V
5 V
10 V

Very Low Frk.
Low 2 Frk.
Lov 1 Frk.
Test Frk.
H Frk (5-10V)

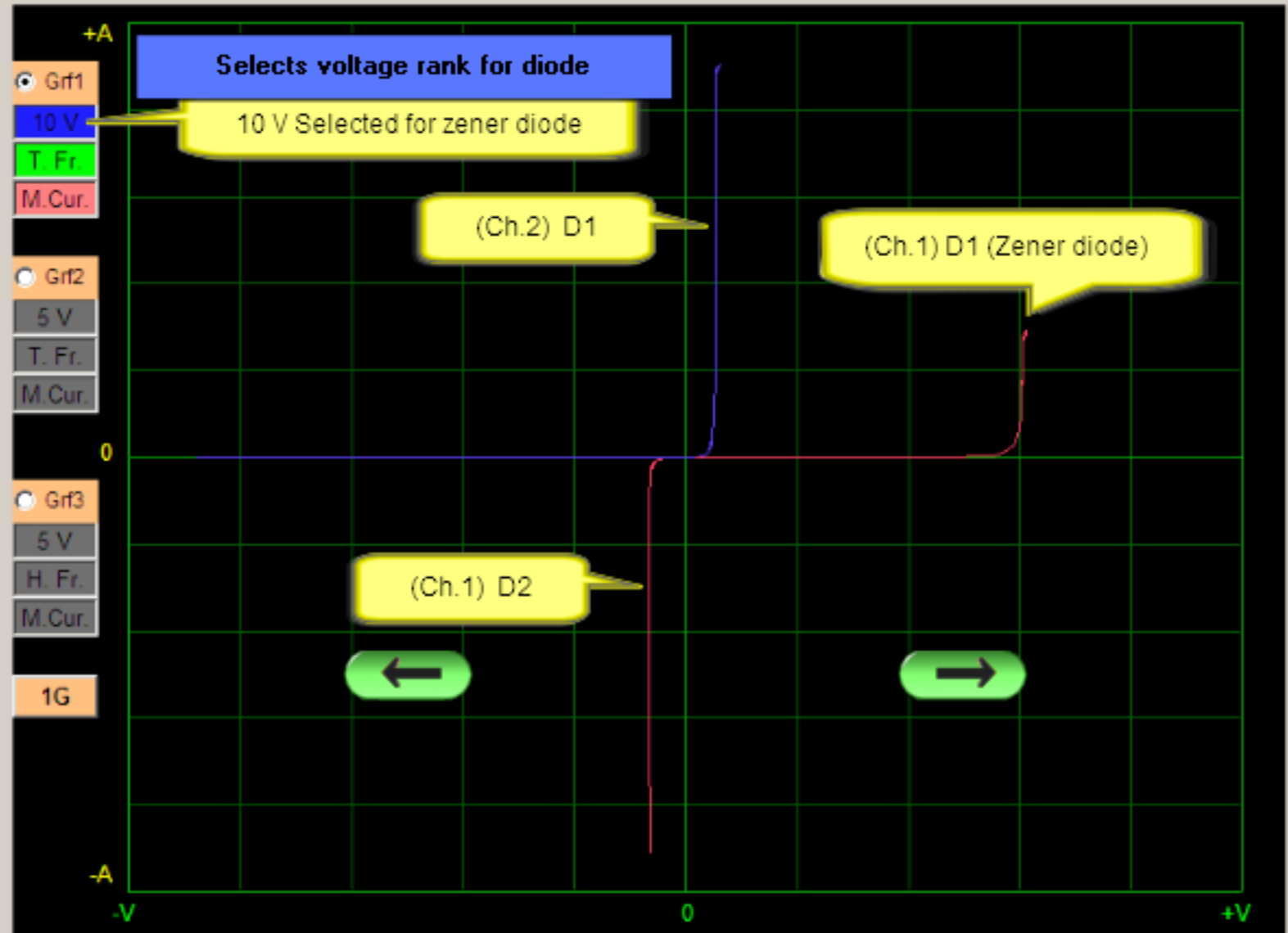
L. Current (47K)
M. Current (2K7)
H. Current (550)

Compare
 Capasite Test
 T.T.T. FET IGBT

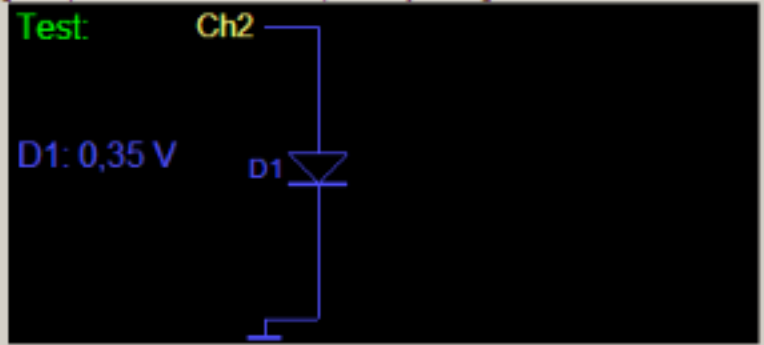
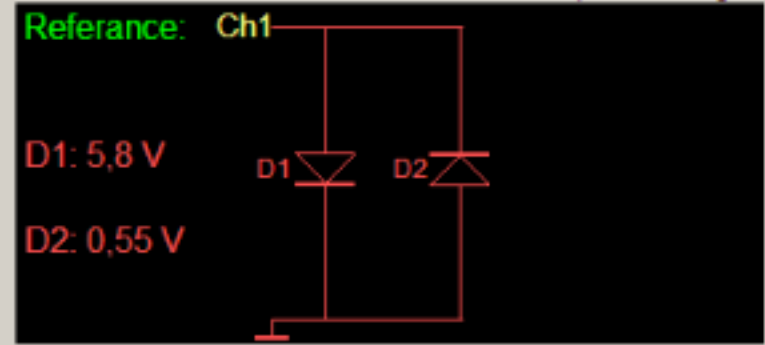
Memory Save - Test

Recording

Tolerance (%)



ATTENTION: Probe must be at 1X position. High-voltage capacitors must be emptied by using a resistor.



Test:

Channel 1 - 2

Automatic

1 V

2 V

5 V

10 V

Very Low Frk.

Low 2 Frk.

Lov 1 Frk.

Test Frk.

H Frk (5-10V)

L. Current (47K)

M. Current (2K7)

H. Current (550)

Compare

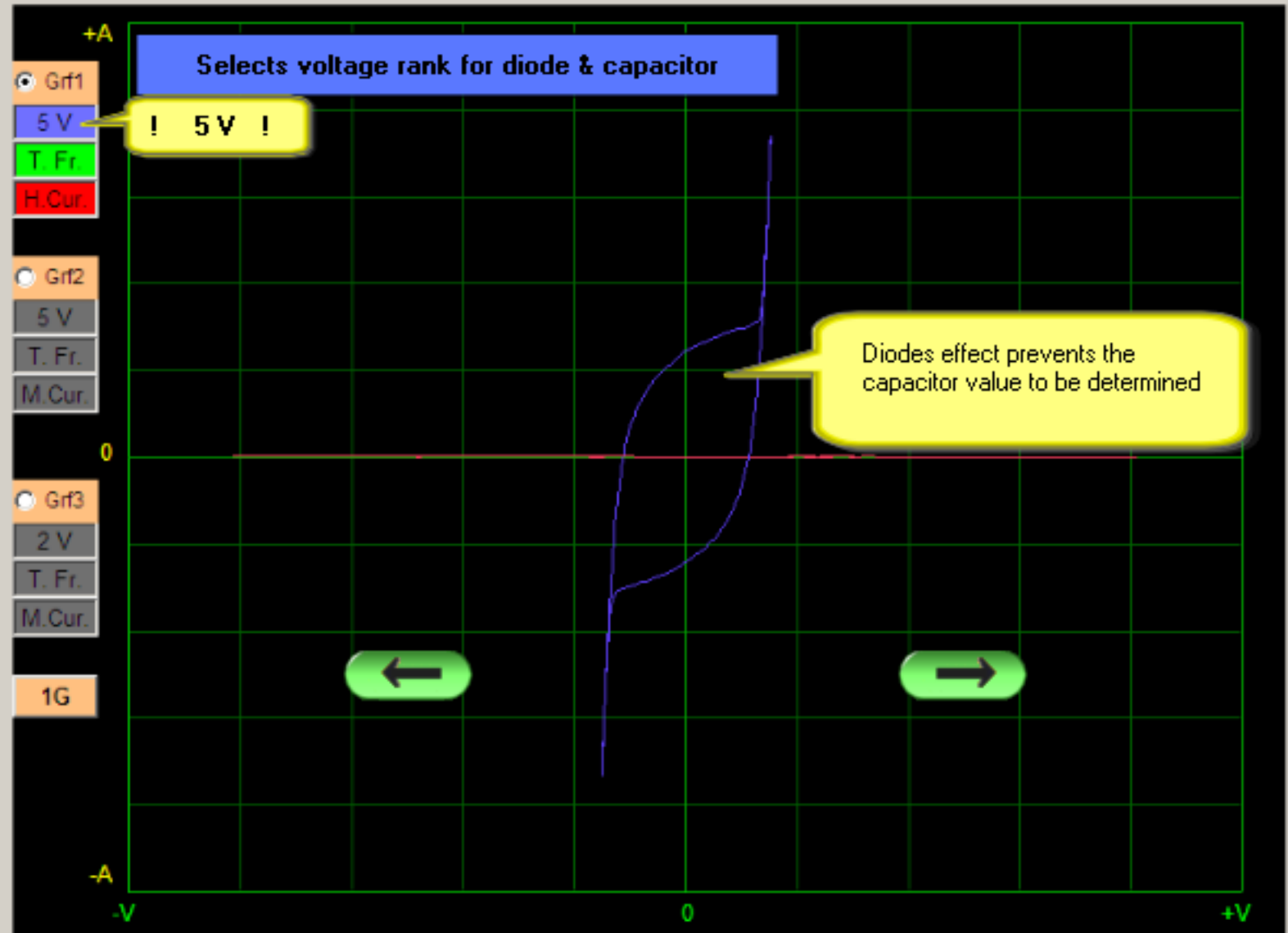
Capasite Test

T.T.T. FET IGBT

Memory Save - Test

Recording

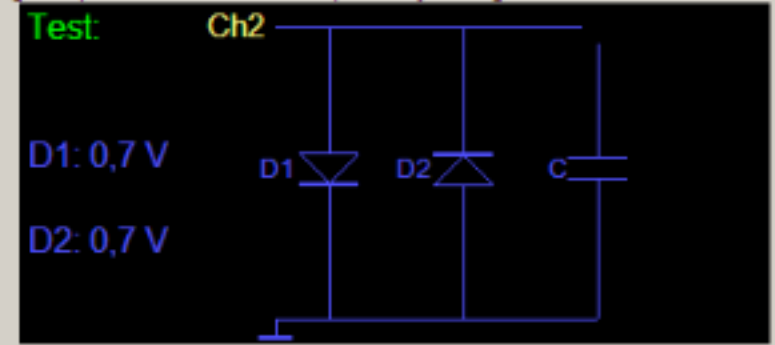
Tolerance (%)



ATTENTION: Probe must be at 1X position. High-voltage capacitors must be emptied by using a resistor.

Reference: Ch1 —

Open Circuit



Test:

Channel 1 - 2

Automatic

1 V
2 V
5 V
10 V

Very Low Frk.
Low 2 Frk.
Lov 1 Frk.
Test Frk.
H Frk (5-10V)

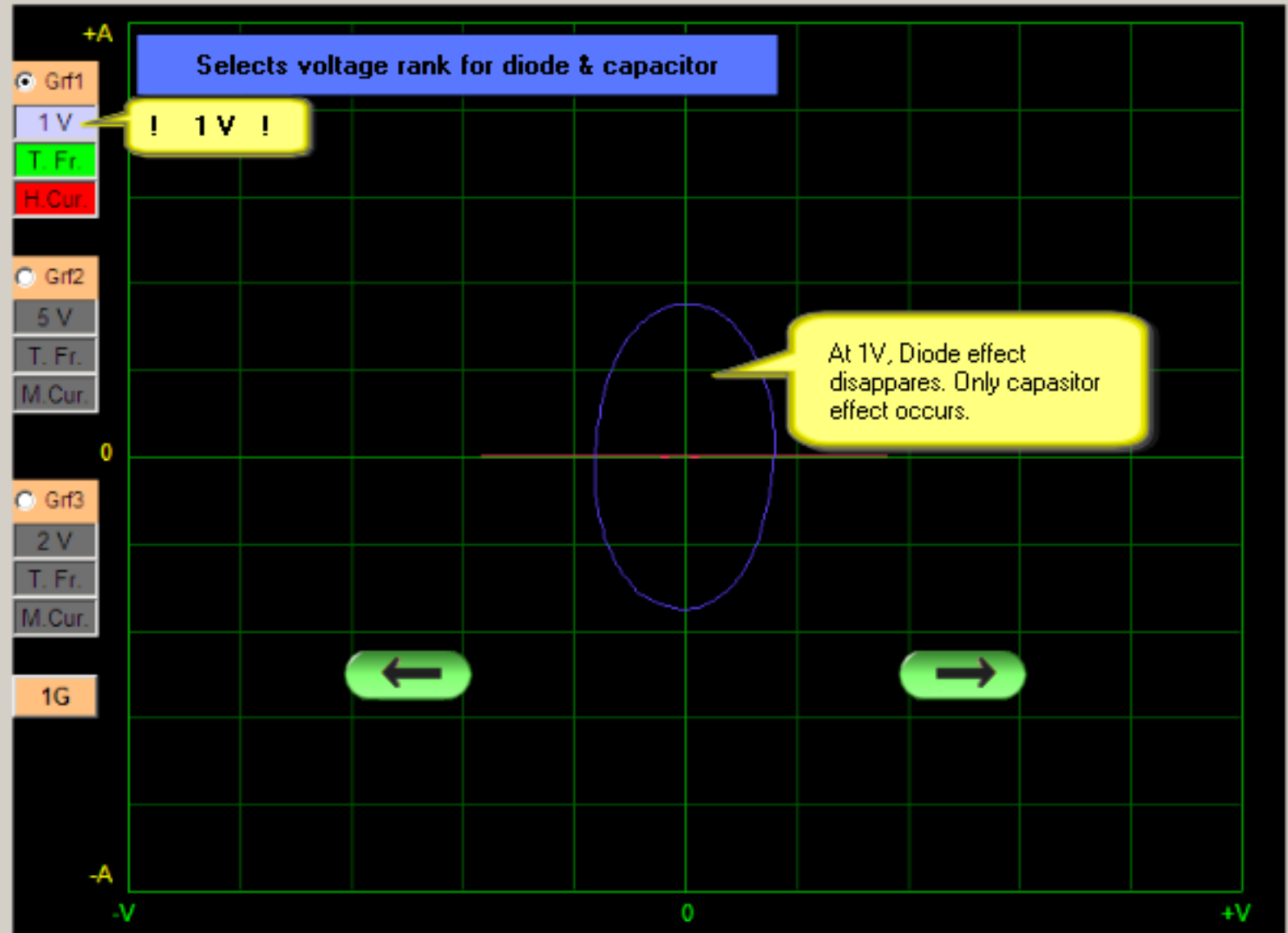
L. Current (47K)
M. Current (2K7)
H. Current (550)

Compare
 Capasite Test
 T.T.T. FET IGBT

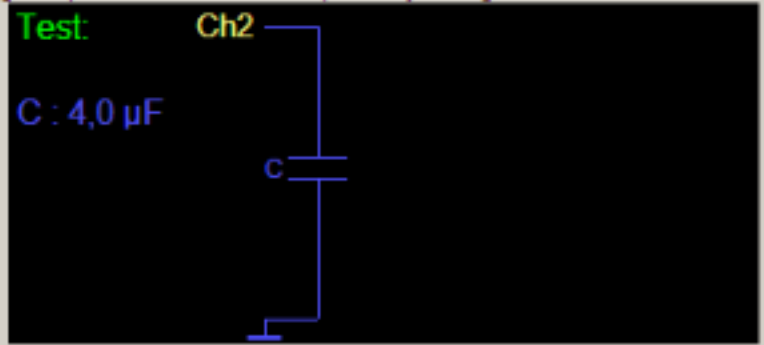
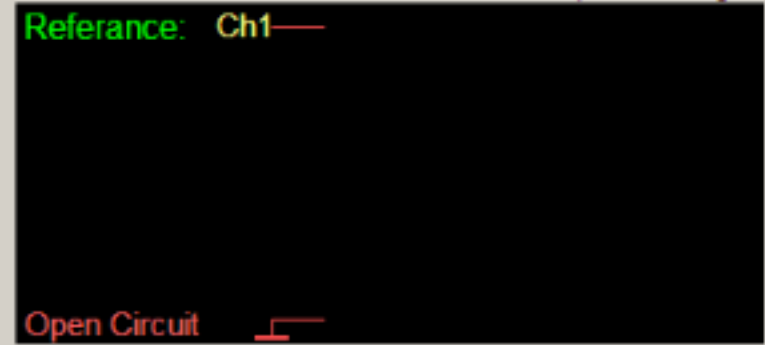
Memory Save - Test

Recording

Tolerance (%)



ATTENTION: Probe must be at 1X position. High-voltage capacitors must be emptied by using a resistor.



Test:

Channel 1 - 2

Automatic

1 V
2 V
5 V
10 V

Very Low Frk.
Low 2 Frk.
Lov 1 Frk.
Test Frk.
H Frk (5-10V)

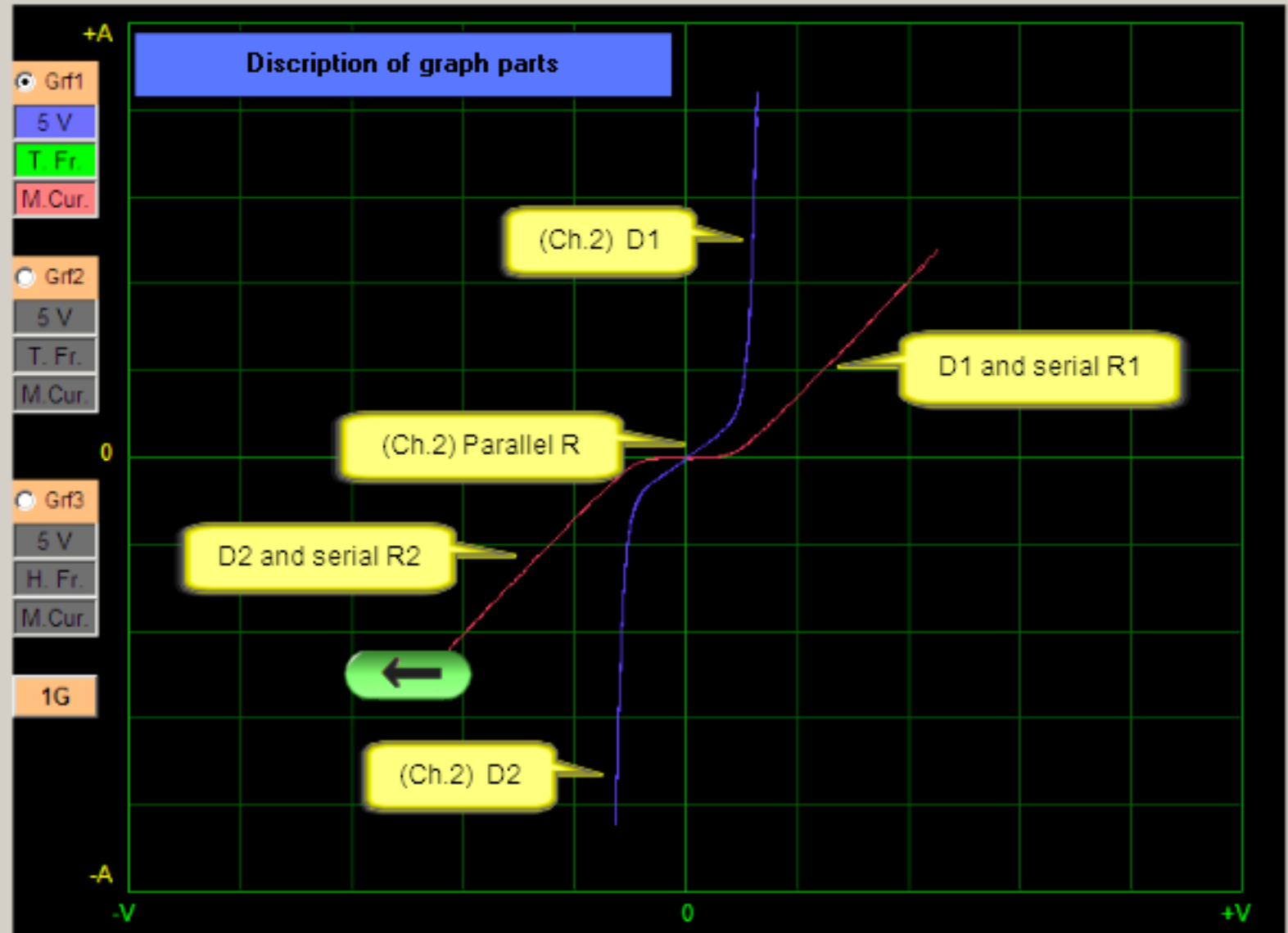
L. Current (47K)
M. Current (2K7)
H. Current (550)

Compare
 Capasite Test
 T.T.T. FET IGBT

Memory Save - Test

Recording

Tolerance (%) **3**



ATTENTION: Probe must be at 1X position. High-voltage capacitors must be emplied by using a resistor.

