

TECHNICAL REPORT (MANUAL)	No. TMS01/041E
----------------------------------	-----------------------

Date. 11-Oct-2001
 General Manager of
 Servo Laboratory

Specification change in Manual Pulse Generator (MPG)

1. Communicate this report to:

<input type="radio"/>	Your information
<input type="radio"/>	GE Fanuc-N, GE Fanuc-E
	FANUC Robotics
	MILACRON
<input type="radio"/>	Machine tool builder
	Sales agency
	End user

2. Summary for Sales Documents

This document is to pronounce the specification change in Manual Pulse Generator

3. Notice

4. Attached Document

Drawing NO.	A-56731E-0084
----------------	---------------

IDE

Original section of issue		
Department Manager	Section Manager	Person in Charge

FANUC

B) Compatibility

- Mechanical specifications
 - The outer diameter and the dimensions about the attachment of the new MPG to the operator’s panel is the same as the former one and it is compatible with the former one mechanically.
 - The length of the projection inside of the operator’s panel and the length of the handle is shortened in the new MPG.
 - The handle color for new specification is black only.
 - The handle of the former MPG cannot be attached to the new MPG.

- Electrical specifications
 - The new MPG is fully compatible with the former one electrical I/O interface.

			Documentation for the change of MPG
			A-56731E-0084
01.09.06			2 / 6

Specification for Manual Pulse Generator

1. This specification is applied to Manual Pulse Generator, A860-0203-T001 ~.

2. Environment Condition for Installation

	Item	Symbol	Condition		Unit	Remarks
			Min.	Max.		
1	Operating Temperature	T _{OP}	-5	+60		
2	Storage Temperature	T _{ST}	-40	+80	°C	
3	Operating Humidity	H _{OP}	+30	+90	%RH	No Dewing

3. Electrical Specification

1.1 Absolute Maximum Rating

	Item	Symbol	Condition		Unit	Remarks
			Min.	Max.		
1	Input Power Voltage	V _{CC}		7.0	V	at Terminal
2	Output Current	I _{OL}		30	mA	

1.2 Power Supply

	Item	Symbol	Condition		Unit	Remarks
			Min.	Max.		
1	Input Power Voltage	V _{CC}	4.5	5.25	V	at Terminal
2	Consumption Current	I _{CC}		95	mA	

1.3 Output Signal

- (1) Phase A and B Phase difference: 90 °C
- (2) Number of Pulse 100 pulse/rev.
- (3) Scale Selection Contact signal [1/10/100] (Only A860-0203-T010 ~)
- (4) Axis Selection Contact signal [X/Y/Z/4/5/6] (Only A860-0203-T010 ~)

				Documentation for the change of MPG	
				A-56731E-0084	
				3 / 6	
01.09.06					

1.4 Output Signal Level

(1) Manual Pulse Generator

	Item	Symbol	Condition		Unit	Remarks
			Min.	Max.		
1	Output Voltage	V_{OH}	$V_{CC} - 0.2$		V	$R_L = \infty \Omega$
		V_{OL}		0.3	V	$R_L = 200\Omega$

(2) Selection Switch

① Scale Selection Switch

- Selected scale terminal is connected with "COM1".

- Other terminals are open.

② Axis Selection Switch

- Selected scale terminal is connected with "COM2".

- Other terminals are open.

1.5 Input Signal

(1) General purpose LED Signal for "+"

(2) General purpose LED Signal for "-"

1.6 Input Signal Level

(1) Input Voltage LED is turned on when 24V is connected.

(2) Current approx. 10mA

1.7 Connection Terminal

(1) A860-0203-T001

a) "Manual Pulse Generator" (Screw Terminal for M3)

View from rear side

+5V	0V	A	B
-----	----	---	---

① [+5V] Power supply

② [0V] Ground for Power and Signals

③ [A] Output for Phase A

④ [B] Output for Phase B

(2) A860-0203-T010 ~

a) "Manual Pulse Generator" (Screw Terminal for M3)

View from rear side

+5V	0V	A	B
-----	----	---	---

① [+5V] Power supply

② [0V] Ground for Power and Signals

③ [A] Output for Phase A

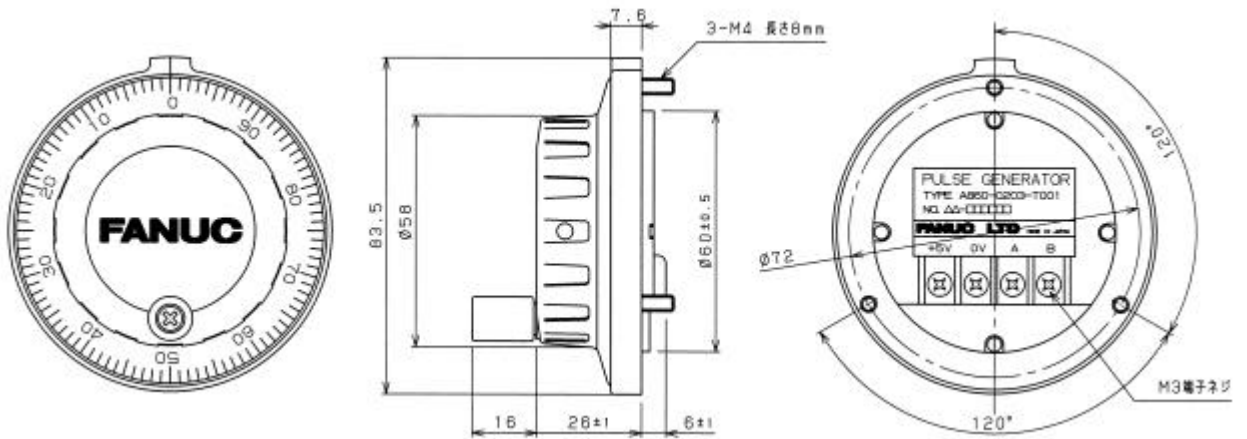
④ [B] Output for Phase B

					Documentation for the change of MPG				
					A-56731E-0084				
					4 / 6				

4. Dimensions

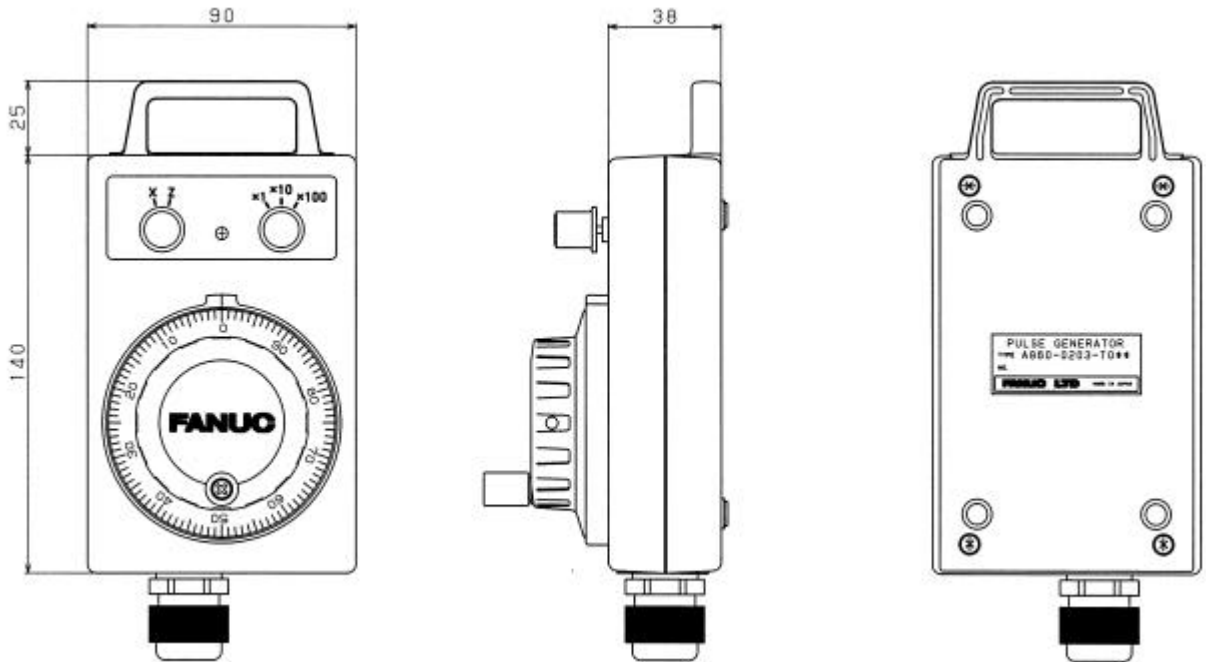
4.1 A860-0203-T001

Weight: 200g



4.2 A860-0203-T010 ~ T015

Weight: 600g



Documentation for the change of MPG

A-56731E-0084