

RB Series Rolling Ball Sensor Switch



Features/Benefits

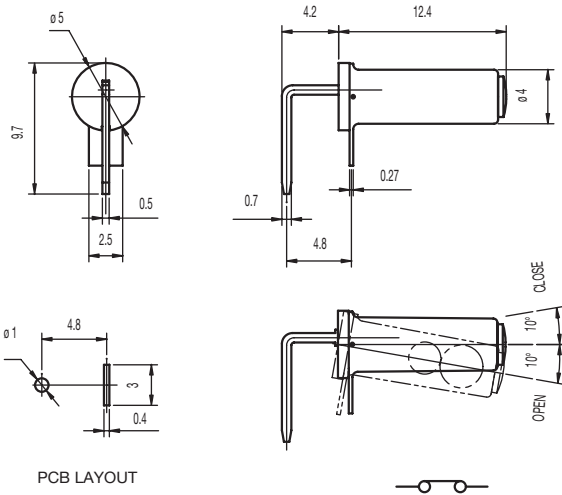
- Different angle options to trigger
- Ultra miniature design
- Patent awarded

Typical Applications

- Household goods
- Electronic toys
- Consumer electronics including irons, portable heaters, games, toys
- Safety and security controls



PART NUMBER	PACKAGING
RB-231X2	1,000 pieces



Specifications

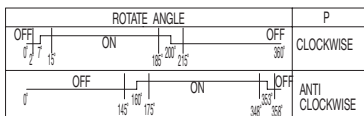
CONTACT ARRANGEMENT: SPST
 SENSOR ANGLE: 0° to -10° scope inside, terminal to disconnection electric current
 MINIMUM VOLTAGE: 1 VDC 10mA (resistive load)
 MAXIMUM VOLTAGE: 5 VDC 1mA (resistive load)
 OPERATING LIFE: 100,000 cycles
 INSULATION RESISTANCE: 1000 M Ω min. @ 100 VDC
 DIELECTRIC STRENGTH: 500 V AC (50-60 Hz)
 OPERATING TEMPERATURE: -20°C to +70°C

Materials

FRAME: Copper alloy, nickel plated
 COVER: PA 46 (UL94V-0).
 MOVABLE CONTACT: Copper alloy, nickel plated
 TERMINALS: Copper alloy, gold plated
 BRASS BALL: Brass, gold plated



PART NUMBER	PACKAGING
RB-220-07 R	500 pieces



Specifications

CONTACT ARRANGEMENT: SPST
 SENSOR ANGLE: 15° to 90° scope inside, terminal to disconnection electric current
 MINIMUM VOLTAGE: 1 VDC 10mA (resistive load)
 MAXIMUM VOLTAGE: 5 VDC 1mA (resistive load)
 OPERATING LIFE: 20,000 cycles (without load);
 100,000 cycles with load
 INSULATION RESISTANCE: 10 M Ω min. @ 100 VDC
 DIELECTRIC STRENGTH: 100 V AC (50-60Hz)
 OPERATING TEMPERATURE: -10°C to +50°C

Materials

HOUSING: PA
 COVER: PA
 BALL: Gold plated



E

Detect

RB Series Rolling Ball Sensor Switch

PART NUMBER	PACKAGING
RB-435B	500 pieces



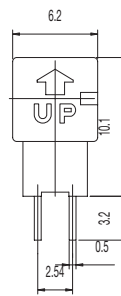
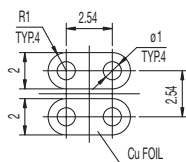
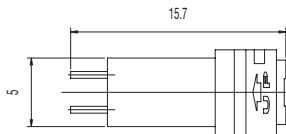
Specifications

CONTACT ARRANGEMENT: SPDT
 MINIMUM VOLTAGE: 1 VDC 10mA (resistive load)
 MAXIMUM VOLTAGE: 5 VDC 1mA (resistive load)
 OPERATING LIFE: 100,000 cycles
 INITIAL CONTACT RESISTANCE: 5 Ω max.
 INSULATION RESISTANCE: 1000 M Ω min. @ 500 VDC
 DIELECTRIC STRENGTH: 500 V AC (50-60 Hz)
 OPERATING TEMPERATURE: -20°C to +70°C

Materials

HOUSING: PA (UL94V-0)
 COVER: PA (UL94V-0)
 MOVABLE CONTACT: Copper alloy, nickel plated
 TERMINALS: Gold plated
 BALL: Steel, gold plated

PART NUMBER	PACKAGING
RB-435X2-20	500 pieces



Specifications

CONTACT ARRANGEMENT: SPDT
 SENSOR ANGLE: -20° to -30° scope inside, terminal to disconnection electric current
 MINIMUM VOLTAGE: 1 VDC 10mA (resistive load)
 MAXIMUM VOLTAGE: 5 VDC 1mA (resistive load)
 OPERATING LIFE: 100,000 cycles
 INSULATION RESISTANCE: 1000 M Ω min. @ 100 VDC
 DIELECTRIC STRENGTH: 500 V AC (50-60 Hz)
 OPERATING TEMPERATURE: -20°C to +70°C

Materials

HOUSING: PBT (UL94V-0)
 COVER: PBT (UL94V-0)
 TERMINALS: Gold plated
 BALL: Steel, gold plated

RB Series Rolling Ball Sensor Switch



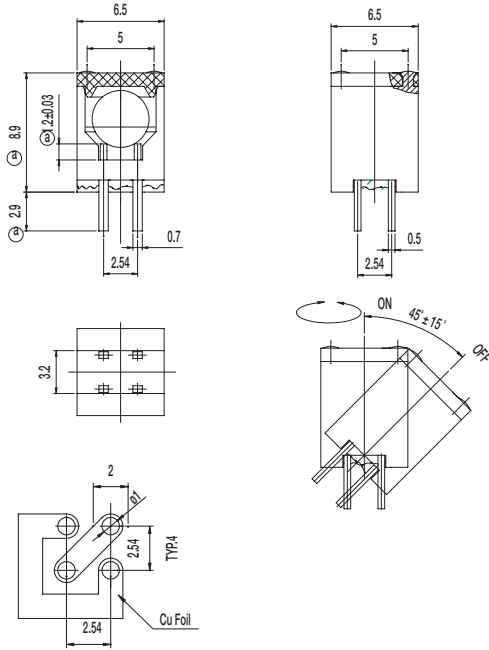
PART NUMBER	PACKAGING
RB-441-45	1500 pieces

Specifications

CONTACT ARRANGEMENT: SPDT
 MAXIMUM VOLTAGE: 24 VDC 25mA (resistive load)
 OPERATING LIFE: 100,000 cycles
 INSULATION RESISTANCE: 1000 M Ω min. @ 100 VDC
 DIELECTRIC STRENGTH: 500 V AC (50-60 Hz)
 OPERATING TEMPERATURE: -20°C to +70°C

Materials

HOUSING: PBT (UL94V-0)
 COVER: PBT (UL94V-0)
 TERMINALS: Gold plated
 BALL: Gold plated



PCB LAYOUT



Detect