

QUINT-PS ...AC/24DC/20...

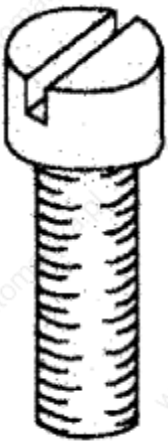


Input: 3 x 168 to 240 V AC or 3 x 325 V to 460 V AC

Output: 24 V DC/20 A

Housing width 240

[g]



M 2.5



8

	(IEC) [mm ²]	rigid solid	flexible stranded	AWG
Input		0.2-2.5	0.2-2.5	24-14
Output		0.2-4	0.2-4	24-10

Description	Type	Order No.	Pcs. Pkt.
Compact power supply, primary switched-mode	QUINT-PS-3x207AC/24DC/20	29 39 45 4	1
	QUINT-PS-3x207AC/24DC/20/F	29 39 55 1	1
	QUINT-PS-3x400AC/24DC/20	29 39 46 7	1
	QUINT-PS-3x400AC/24DC/20/F	29 39 56 4	1

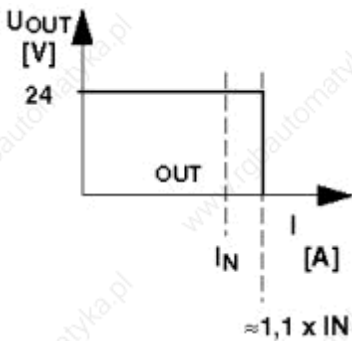
Courtesy of Steven Engineering, Inc. • 230 Ryan Way, South San Francisco, CA, 94080-6370 • Main Office: (650) 588-9200 • Outside Local Area: (800) 258-9200 • www.stevenengineering.com

Technical data	QUINT-PS-3x207AC/24DC/...		QUINT-PS-3x400/24 DC/...	
	...20	...20/F	...20	...20/F
Input data				
Input voltage	3 x 207 V AC	3 x 207 V AC	3 x 400 V AC	3 x 400 V AC
– Input voltage range	168-240 V AC	168-240 V AC	325-460 V AC	325-460 V AC
– Input voltage range short-term (1 min.)	165-250 V AC	165-250 V AC	320-500 V AC	150-270 V AC
Direct current voltage	126-186 V DC	126-186 V DC	253-373 V DC	253-373 V DC
Frequency	47-63 Hz	47-63 Hz	47-63 Hz	47-63 Hz
Inrush surge current	< 36 A	< 36 A	< 19 A	< 19 A
Current consumption	approx. 3.6 A	approx. 2.4 A	approx. 1.8 A	approx. 1.1 A
Input fuse	externally via circuit breaker 6 A, characteristic B			
Power factor	0.4	0.8	0.4	0.8
Power failure bypass	> 20 ms	> 20 ms	> 20 ms	> 20 ms
Surge voltage protection	varistor	varistor	varistor	varistor
Output data				
Nominal output voltage U_N /	24 V DC \pm 1 % / 20 A			
Nominal output current I_N				
Setting range	22.5-28.5 V DC (>24 V const. capacity)			
Starting delay – ohmic load / capacitive load	approx. 100 ms			
Switching on after applying mains voltage	approx. 2.5 s			
Starting of capacitive loads	unrestricted			
Protection against internal surge voltages	yes			
Function display	LED			
Connection in parallel	yes, for assembling redundant systems and increasing efficiency			
Current limitation	1.1 x $I_N \pm$ 5 %			
Control deviation on load change:	static 10-90 %	< 1 %		
	dynamic 10-90 %	< 5 %		
System deviation with change of input voltage \pm 10 %	< 0.1 %			
Ascent time of U_{out} (10-90 %)	100 ms			
Residual ripple / peak switching voltages (1.2 MHz bandwidth)	150 mV _{pp} / 100 mV _{pp}			
Max. power dissipation	idling	approx. 7 W		
	nominal load	approx. 92 W		
Climatic data				
Ambient temperature (operation / storage)	-20 °C to +50 °C / -25 °C to +85 °C			
Humidity	up to 95 % at 25 °C, no condensation			
General data				
Isolation voltage input/output	3 kV (routine test)			
Electrical safety	EN 60950/VDE 0805, UL 1950/CSA C22.2 No.950, CSA C22.2 No.234, prEN 50178/DIN EN 50178/VDE 0160, UL 508C, CSA C22.2 No. 14-M91			
Reliable separation	DIN VDE 0100-410, DIN VDE 0106-101			
Electromagnetic compatibility	C in compliance with EMC guideline 89/336/EEC			
Installation position	on horizontal mounting rail NS 35/7.5 acc. to EN 50 045			

Mounting	spacing:	- vertically with distance ≥ 10 cm			
		- horizontally adjacent			
Type of connection		screw/plug connection COMBICON			
Type of protection / Class of protection		IP 20 / I with PE connection			
MTBF (Mean Time Between Failure)		> 500 000 h acc. to SN 29 500			
Efficiency		> 90 %			
Weight		approx. 2.3 kg	approx. 2.5 kg	approx. 2.3 kg	approx. 2.5 kg
Limitation of mains harmonic current waves acc. to EN 61000-3-2		no	yes	no	yes

Output characteristics QUINT-PS.../20

The device cuts back the voltage if the current limit of $1.1 \times I_N$ is exceeded. The current remains constant at approx. $1.1 \times I_N$. The power is restricted in this fashion. This guarantees that down-circuit fuses are blown selectively.



Type of housing

Steel plate, sealed

Side parts ABS V0

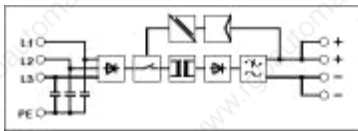
see [product-line info](#)

color: green

Torque value of terminals, see [product-line info](#).

The rated cross section (see [product-line info](#)) refers to untreated conductors without ferrules.

Block diagram



Courtesy of Steven Engineering, Inc. • 230 Ryan Way, South San Francisco, CA, 94080-6370 • Main Office: (650) 588-9200 • Outside Local Area: (800) 258-9200 • www.stevenengineering.com