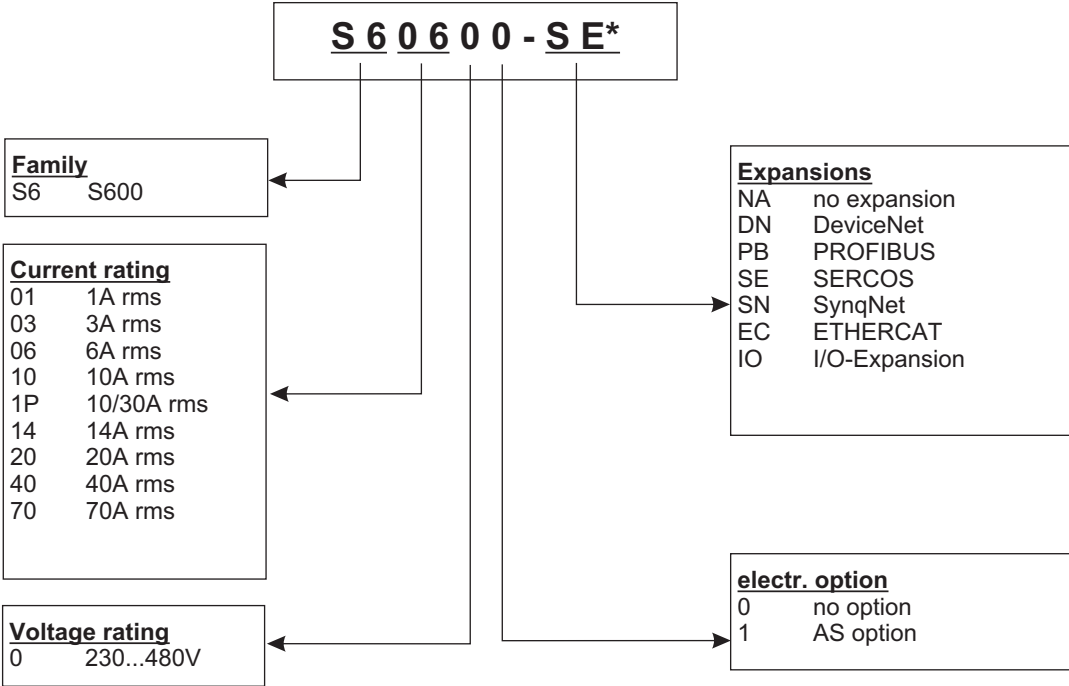


# Part number scheme S600

Use for product identification only, not for the order process.



\* additional coding defines customer specific specials.