

**Description**

The VARIO-isolation amplifier AD-TV 32 GL serves the galvanic separation, conversion and amplification of DC current and voltage signals (0/4-20 mA and 0/2-10 V DC). The signal dimensions are adjustable at the front. The starting and end values can here be adjusted independent of each other. Input, output and the supply voltage are separate from each other with high insulation. An integral electronic wide range power pack with a high degree of effectiveness allows operation in a supply range of 20...253 V DC or 50...253 V AC. Additionally, a nominal value can be specified via switch at the front at the output. The input measuring signal is decoupled and without influence during this. The nominal value at the output, which can be activated and adjusted via a potentiometer at the front.

**Application**

Conversion, burden amplification and galvanic decoupling of active DC-current and voltage signals with additional manual / automatic operation via a nominal value specification, which can be activated.

**Specific characteristics**

- Front panel switch for switching between manual and automatic operation
- Value setting for manual operation by front-face potentiometer

**Business data**

catalog number AD-TV 32 GL

**Technical specifications****Input current**

Measuring range 0/4 ... 20 mA  
Input resistance 85 Ohm

**Input voltage**

Measuring range 0/2 ... 10 V  
Input resistance > 100 kOhm

**Output current**

Output range 0/4 ... 20 mA  
Max. burden 500 Ohm  
Residual ripple 50 µAss

**Output voltage**

Output range 0/2 ... 10 V  
Min. burden > 10 kOhm  
Residual ripple 50 mVss

**Setpoint setting**

Front mounted potentiometer 0 ... 100 %

**Supply**

Voltage range AC 50 ... 253 V AC, 50/60 Hz  
Nominal voltage AC 230 V AC  
Voltage range DC 20 ... 253 V DC  
Nominal voltage DC 24 V DC  
Power consumption AC / DC 2,3 VA / 1W

**Transmission behaviour**

Basic accuracy < 0,2 %  
Temperature influence 100 ppm/K  
Response time ~ 20 ms

**Housing**

Dimensions (WxHxD) 18x78x103 mm  
Type of protection IP 20  
Connection method screw clamp  
Terminals, wire cross section 2,5 mm<sup>2</sup> flex wire / 4 mm<sup>2</sup> one wire  
Bolting torque terminals 0,5 Nm  
Weight ~ 100 g  
Manner of fastening 35 mm DIN rail 35mm

**Environmental conditions**

Ambient temperature 0 ... 50 °C  
Storage and transport -10 ... 70 °C (no thawing)

**EMC**

Product family standard EN 61326 <sup>1)</sup>  
Emitted interference EN 55011, CISPR11 Cl. B

**Electrical safety requirements**

Product family standard EN 61010-1  
Overvoltage category II  
Pollution degree 2

**Galvanic isolation, test voltages**

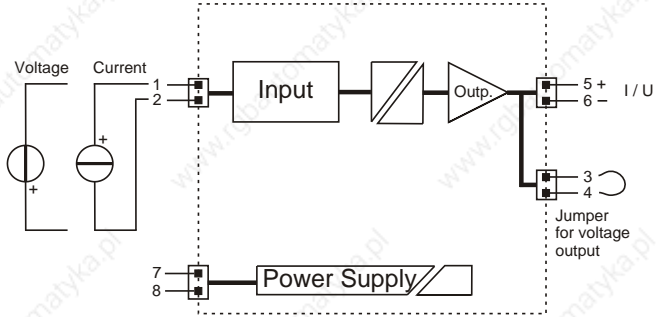
Input / output 3,75 kV, 50 Hz (1 min.)  
Signal / supply unit 4 kV, 50 Hz (1 min.)

**Protection circuits**

Input electrical surge protection  
Output electrical surge protection  
Power supply electrical surge and reverse current protection

<sup>1)</sup> During checking, slight signal deviations are possible.

### Block and wiring diagram



### Dimensions

