

# S-Beam Tension and Compression Load Cell, Models 151 & 152

Figure 1. Product Nomenclature

For example, **CA151NL,1BB,2U,6F,9A,30B** defines a Model 151 S-Beam Load Cell, 250 N range, -10 °C to 40 °C [14 °F to 104 °F] temperature compensation, unamplified, integral PVC cable, 10 point, tension and compression output.

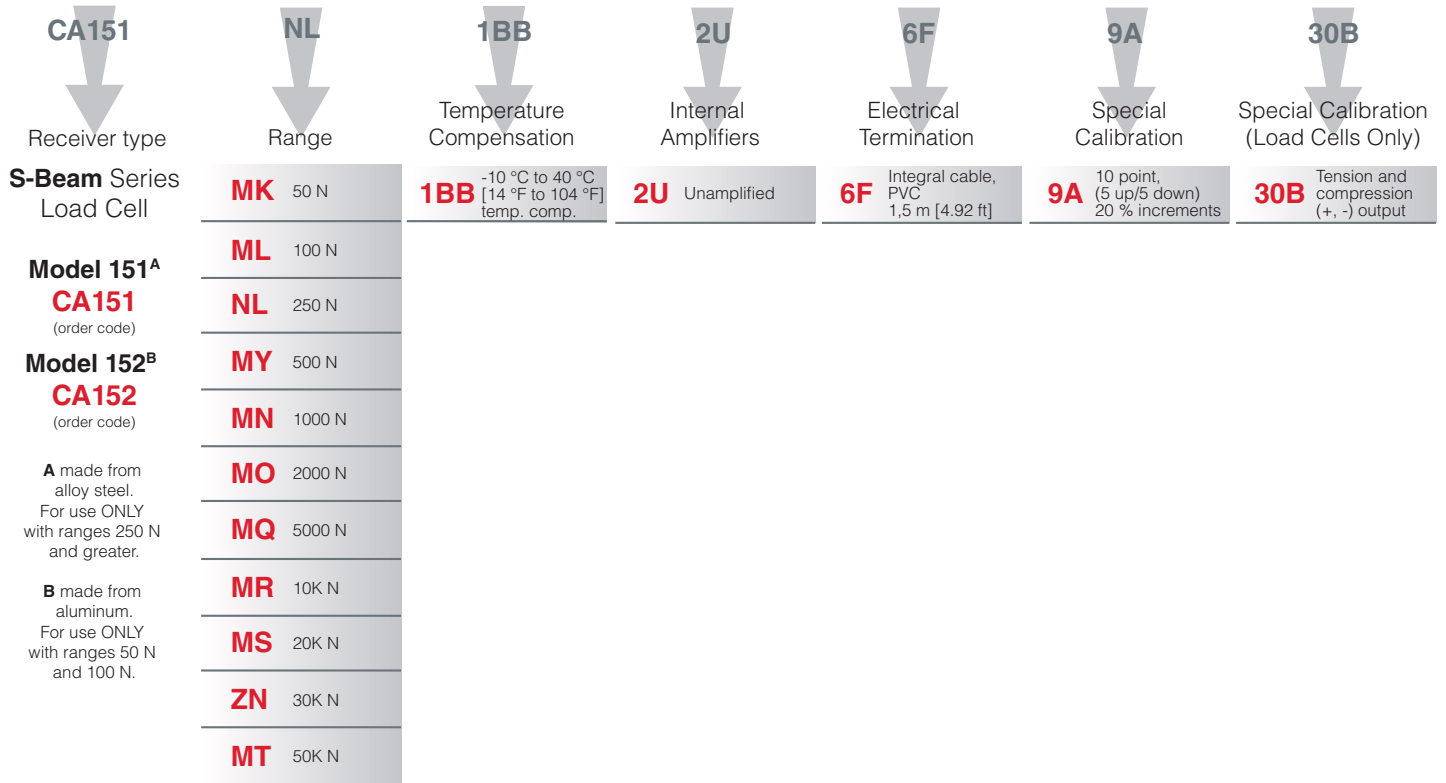


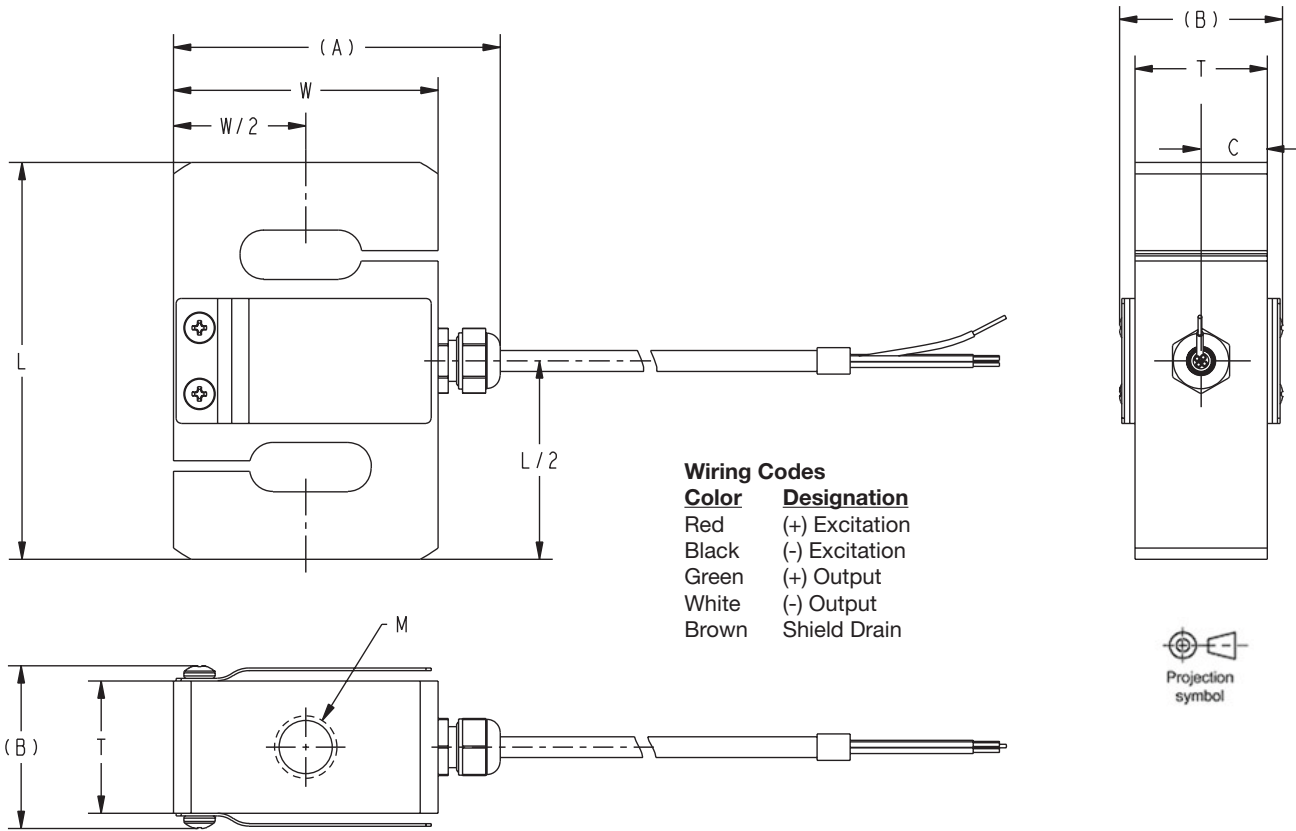
Table 6. Order Guide

| Range  | Description        | Order Code            | Honeywell Part Number |
|--------|--------------------|-----------------------|-----------------------|
| 50 N   | Model 152 50 N     | CA152MK,1BB,2U,6F,30B | 060-P662-01           |
| 100 N  | Model 152 100 N    | CA152ML,1BB,2U,6F,30B | 060-P662-02           |
| 250 N  | Model 151 250 N    | CA151NL,1BB,2U,6F,30B | 060-P663-01           |
| 500 N  | Model 151 500 N    | CA151MY,1BB,2U,6F,30B | 060-P663-02           |
| 1000 N | Model 151 1,000 N  | CA151MN,1BB,2U,6F,30B | 060-P664-01           |
| 2000 N | Model 151 2,000 N  | CA151MO,1BB,2U,6F,30B | 060-P665-01           |
| 5000 N | Model 151 5,000 N  | CA151MQ,1BB,2U,6F,30B | 060-P665-02           |
| 10K N  | Model 151 10,000 N | CA151MR,1BB,2U,6F,30B | 060-P665-03           |
| 20K N  | Model 151 20,000 N | CA151MS,1BB,2U,6F,30B | 060-P666-01           |
| 30K N  | Model 151 30,000 N | CA151ZN,1BB,2U,6F,30B | 060-P666-02           |
| 50K N  | Model 151 50,000 N | CA151MT,1BB,2U,6F,30B | 060-P666-03           |

# S-Beam Tension and Compression Load Cell, Models 151 & 152

## DIMENSIONAL DRAWINGS

Figure 2. Model 151 & 152 Dimensions



| Capacity (N) | Model | Case Material | A (Reference)        | B (Reference)        | C                    | T                    | L                   | M                   | W                   |
|--------------|-------|---------------|----------------------|----------------------|----------------------|----------------------|---------------------|---------------------|---------------------|
| 50           | 152   | aluminum      | 68 mm<br>[2.68 in]   | 24,5 mm<br>[0.96 in] | 9 mm<br>[0.35 in]    | 18 mm<br>[0.71 in]   | 70 mm<br>[2.76 in]  | M8 x 1.25/<br>thru  | 56 mm<br>[2.20 in]  |
| 100          | 152   | aluminum      | 68 mm<br>[2.68 in]   | 24,5 mm<br>[0.96 in] | 9 mm<br>[0.35 in]    | 18 mm<br>[0.71 in]   | 70 mm<br>[2.76 in]  | M8 x 1.25/<br>thru  | 56 mm<br>[2.20 in]  |
| 250          | 151   | alloy steel   | 62,5 mm<br>[2.46 in] | 18,5 mm<br>[0.73 in] | 6,35 mm<br>[0.25 in] | 12,7 mm<br>[0.50 in] | 63,5<br>[2.5 in]    | M6 x 1/thru         | 50,8 mm<br>[2.0 in] |
| 500          | 151   | alloy steel   | 62,5 mm<br>[2.46 in] | 18,5 mm<br>[0.73 in] | 6,35 mm<br>[0.25 in] | 12,7 mm<br>[0.50 in] | 63,5<br>[2.5 in]    | M6 x 1/thru         | 50,8 mm<br>[2.0 in] |
| 1000         | 151   | alloy steel   | 62,5 mm<br>[2.46 in] | 25,4 mm<br>[1.0 in]  | 9,5 mm<br>[0.37 in]  | 19 mm<br>[0.75]      | 76,2 mm<br>[3.0 in] | M10 x 1.5/<br>thru  | 50,8 mm<br>[2.0 in] |
| 2000         | 151   | alloy steel   | 62,5 mm<br>[2.46 in] | 25,4 mm<br>[1.0 in]  | 9,5 mm<br>[0.37 in]  | 19 mm<br>[0.75]      | 76,2 mm<br>[3.0 in] | M12 x 1.75/<br>thru | 50,8 mm<br>[2.0 in] |
| 5000         | 151   | alloy steel   | 62,5 mm<br>[2.46 in] | 25,4 mm<br>[1.0 in]  | 9,5 mm<br>[0.37 in]  | 19 mm<br>[0.75]      | 76,2 mm<br>[3.0 in] | M12 x 1.75/<br>thru | 50,8 mm<br>[2.0 in] |
| 10k          | 151   | alloy steel   | 62,5 mm<br>[2.46 in] | 31,5 mm<br>[1.24 in] | 12,7 mm<br>[0.50 in] | 25,4 mm<br>[1.0 in]  | 76,2 mm<br>[3.0 in] | M12 x 1.75/<br>thru | 50,8 mm<br>[2.0 in] |
| 20k          | 151   | alloy steel   | 86 mm<br>[3.39 in]   | 31,5 mm<br>[1.24 in] | 19 mm<br>[0.74 in]   | 25,4 mm<br>[1.0 in]  | 108 mm<br>[4.25 in] | M18 x 1.5/<br>thru  | 76,2 mm<br>[3.0 in] |
| 30k          | 151   | alloy steel   | 86 mm<br>[3.39 in]   | 31,5 mm<br>[1.24 in] | 19 mm<br>[0.74 in]   | 25,4 mm<br>[1.0 in]  | 108 mm<br>[4.25 in] | M18 x 1.5/<br>thru  | 76,2 mm<br>[3.0 in] |
| 50k          | 151   | alloy steel   | 86 mm<br>[3.39 in]   | 37,5<br>[1.48 in]    | 25,4 mm<br>[1.0 in]  | 31,8 mm<br>[1.25 in] | 108 mm<br>[4.25 in] | M18 x 1.5/<br>thru  | 76,2 mm<br>[3.0 in] |