

Socapel PAM

A Programmable Axes Manager

PAM Simatic S5

Technical Manual

Ordering Number: 006.8006.B

Rev. 29 May 1996

This upgraded and improved version replaces all the previous. We reserve the right to amend this document without prior notice and decline all responsibilities for eventual errors.

Atlas Copco Controls SA
En Montillier 4
CH-1303 PENTHAZ
Switzerland

Doc. No. 006.8006.B/CJO

© May 1996

by Atlas Copco Controls SA (previously SOCAPEL SA).
All rights reserved.

TABLE OF CONTENTS

1 PAM SIMATIC S5 TECHNICAL MANUAL ----- 1—1

1.1 Manual Scope ----- 1—1

1.2 Manual Organization and Contents ----- 1—1

2 INTRODUCTION ----- 2—1

2.1 General Information ----- 2—1

2.2 PAM Simatic S5 Architecture ----- 2—2

2.3 SIMATIC Interface Architecture ----- 2—3

2.4 Compatibility with Simatic S5 Models and CPUs ----- 2—5

3 CONFIGURATIONS ----- 3—1

3.1 Configuration for 115U and 135U ----- 3—1

3.2 Configuration for 155U ----- 3—2

3.3 PAM Dual Port Memory Address Configuration ----- 3—3

3.4 Configuration Examples ----- 3—4

3.5 Other Switches ----- 3—6

4 ANALOG OUTPUTS ----- 4—1

1 PAM SIMATIC S5 TECHNICAL MANUAL

1.1 MANUAL SCOPE

This manual is intended to serve as a reference for individuals who will be using the PAM Simatic S5. It provides details on the hardware aspects of the Simatic interface for PAM.

The scope of this manual is limited to the PAM Simatic S5. For a complete listing of all technical publications covering PAM and its associated peripherals (i.e. ST1, Smart I-O, VME Bus Master, etc.), refer to the Technical Publications Overview in the PAM User's Manual (p/n 006.8017.A) and to the Technical Documentation, Available Manuals list (p/n 080.8010).

1.2 MANUAL ORGANIZATION AND CONTENTS

This manual is organized into four chapters. The following is a summary of the manual contents by chapter:

| | |
|-----------|---|
| Chapter 1 | Description of manual organization and contents |
| Chapter 2 | PAM Simatic S5 description |
| Chapter 3 | PAM Simatic S5 configuration |
| Chapter 4 | Analog outputs description |

2 INTRODUCTION

2.1 GENERAL INFORMATION

The PAM - Programmable Axes Manager - is a module developed by Atlas Copco Controls to precisely control and synchronize multiple ST1 digital motion controllers. The PAM and all ST1 controllers are interconnected on EasyBus, a proprietary optical fiber fieldbus (see Figure 1).

The PAM Simatic S5 is a PAM with a fully integrated Simatic S5 interface which permits communications with a Siemens Simatic S5 PLC host via the S5 parallel bus. The PAM Simatic S5 is designed to be installed directly in an available slot of a Simatic S5 PLC. Two connectors at the back of the unit mate directly with S5 data bus connectors on the S5 PLC backplane.

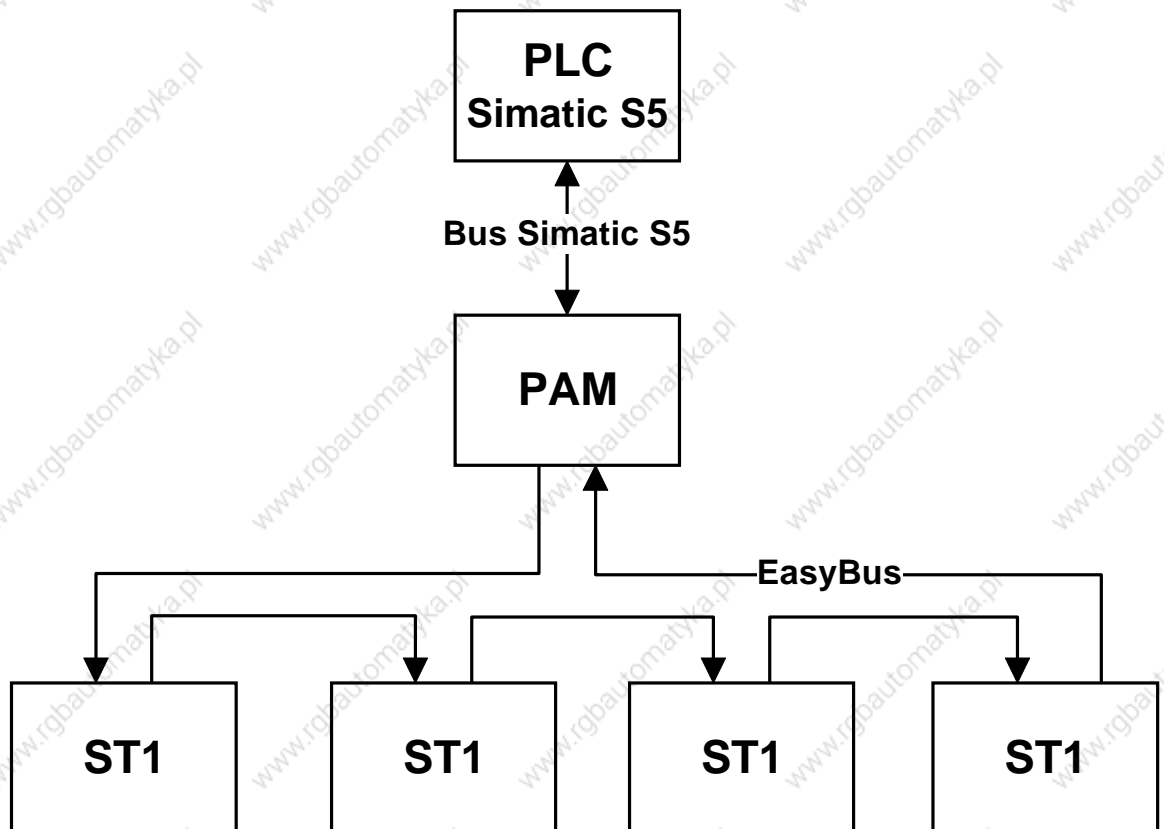


Figure 1: PAM Simatic S5 System Architecture

Introduction

PAM Simatic S5 --- Technical Manual

2.2 PAM SIMATIC S5 ARCHITECTURE

PAM is based on a high performances RISC processor. Supporting this processor (see Figure 2) are memory, a serial interface, the EasyBus interface, analog outputs and the Simatic S5 interface.

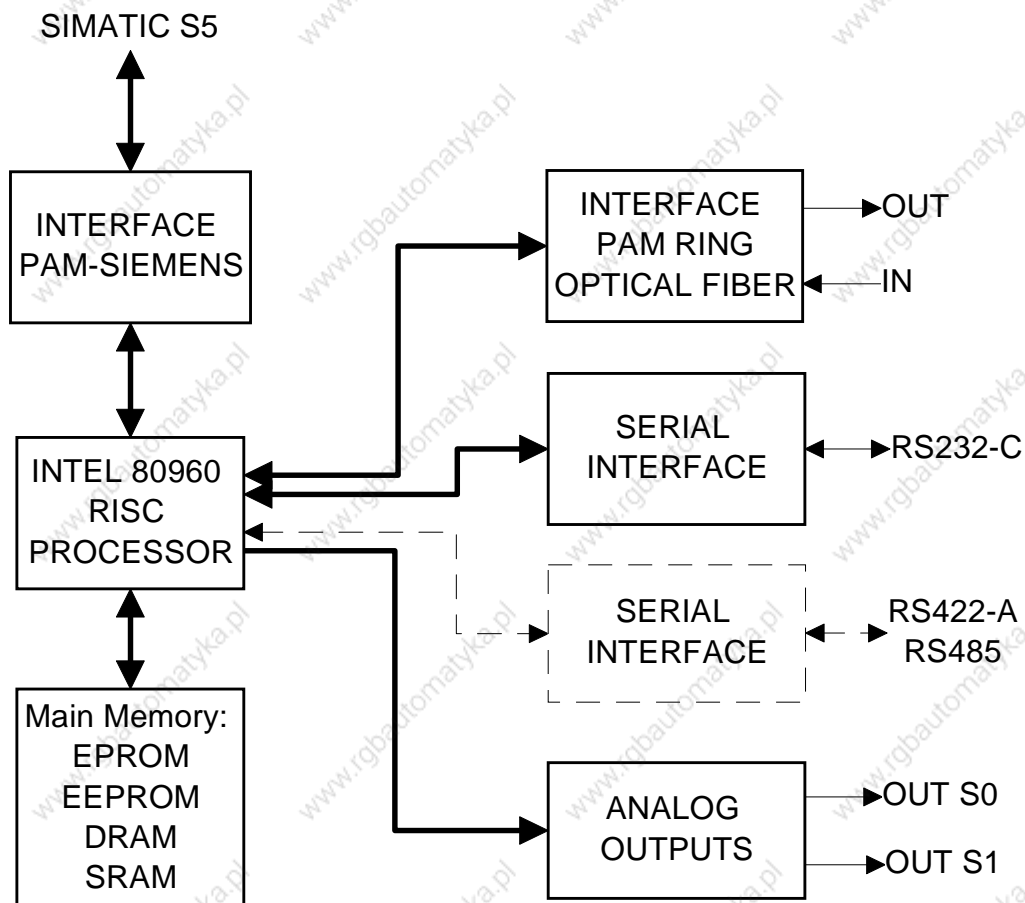


Figure 2: PAM Simatic S5 block diagram

The RS-232-C interface is used to connect PAM with a terminal or a computer for application monitoring and debugging purposes. An optional RS-422-A/RS-485 is available to connect another host (PLC, PC, etc.).

2.3 SIMATIC INTERFACE ARCHITECTURE

Figure 3 illustrates the architecture of the Simatic interface. Pin assignments for the upper and lower interface connectors are listed in Table 1 and Table 2 respectively.

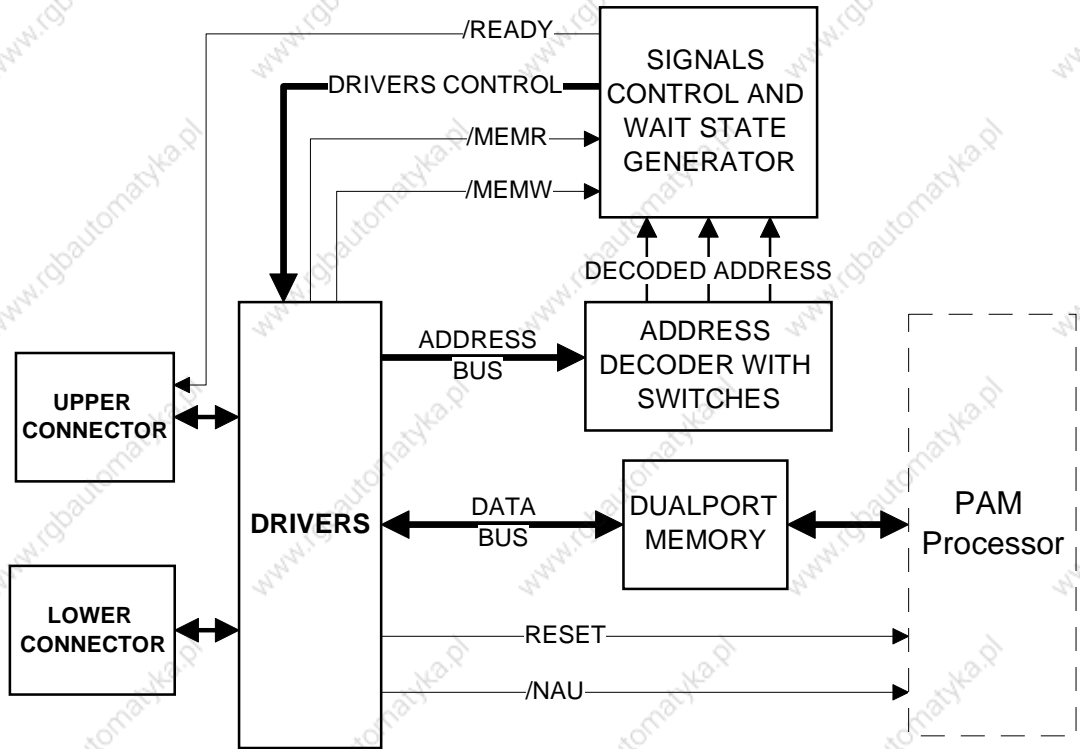


Figure 3: Simatic Interface block diagram

Introduction

PAM Simatic S5 --- Technical Manual

| PIN ↓ ROW → | D | B | Z |
|-------------|----------|----------|----------|
| 2 | not used | GROUND | +5V |
| 4 | not used | not used | not used |
| 6 | ADB12 | ADB0 | RESET |
| 8 | ADB13 | ADB1 | /MEMR |
| 10 | ADB14 | ADB2 | /MEMW |
| 12 | ADB15 | ADB3 | /READY |
| 14 | not used | ADB4 | DB0 |
| 16 | not used | ADB5 | DB1 |
| 18 | not used | ADB6 | DB2 |
| 20 | not used | ADB7 | DB3 |
| 22 | not used | ADB8 | DB4 |
| 24 | not used | ADB9 | DB5 |
| 26 | not used | ADB10 | DB6 |
| 28 | not used | ADB11 | DB7 |
| 30 | not used | not used | not used |
| 32 | not used | GROUND | not used |

Table 1: Upper Connector Signal & Pin Assignments

| PIN ↓ ROW → | D | B | Z |
|-------------|----------|----------|----------|
| 2 | not used | GROUND | +5V |
| 4 | not used | DB8 | DB12 |
| 6 | not used | DB9 | DB13 |
| 8 | not used | DB10 | DB14 |
| 10 | not used | DB11 | DB15 |
| 12 | not used | not used | not used |
| 14 | not used | not used | /NAU |
| 16 | not used | not used | not used |
| 18 | not used | not used | not used |
| 20 | not used | not used | not used |
| 22 | not used | not used | not used |
| 24 | not used | not used | not used |
| 26 | not used | not used | not used |
| 28 | not used | not used | not used |
| 30 | not used | not used | not used |
| 32 | not used | GROUND | not used |

Table 2: Lower Connector Signal & Pin Assignments



The comment "not used" mean that the **SIMATIC S5** signal is not used by the **PAM**.



The **PAM** system needs in all cases both the upper and lower connectors for power distribution purposes.

2.4 COMPATIBILITY WITH SIMATIC S5 MODELS AND CPUs

Communication compatibility between the PAM SIMATIC and a number of Simatic S5 models with different CPUs has been verified by test. Siemens specifications for other CPUs indicate compatibility. Refer to Table 3 for a summary of current compatibility information.

| PLC MODEL → STATUS ↓ | 115U/135U | 155U |
|---|------------------------|---------|
| TESTED WITH (CPU) | 941,944, 944B | 946/947 |
| SIEMENS SPECS. INDICATE COMPATIBILITY WITH (CPU) | 942,943,941B,942B,943B | 948 |

Table 3: Siemens S5 Compatibility



SIEMENS documentation, states the new **945 CPU** is compatible with older CPUs; however, **ACC** has neither tested nor verified compatibility with the **945**.

3 CONFIGURATIONS

The PAM Simatic S5 may be used with the Simatic S5 model 115U, 135U and 155U PLCs. The 115U and 135U use an 8 bit data bus The 155U uses a 16 bit data bus. Figure 4 shows the location of jumper (S2) and other configuration components.

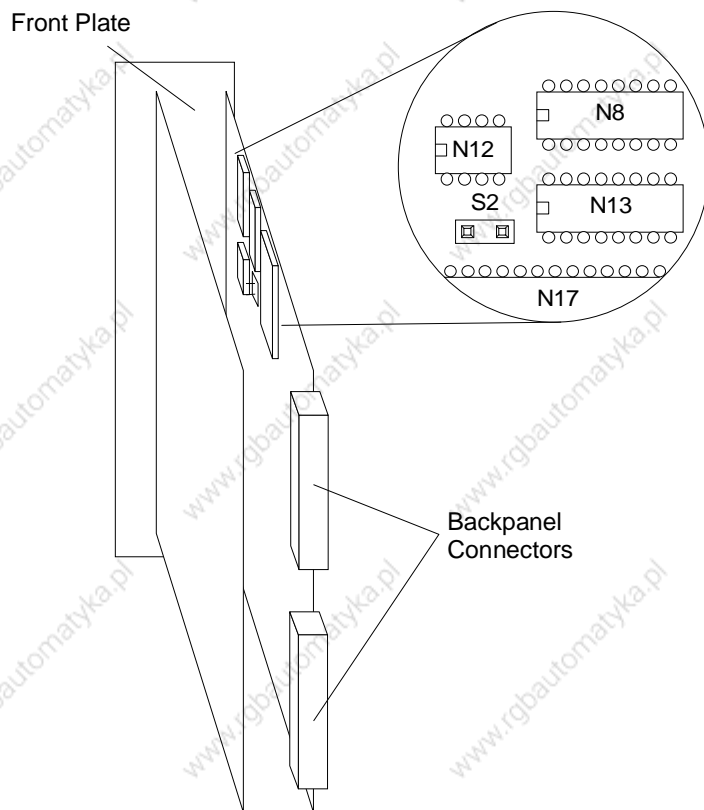


Figure 4: Configuration Jumper and Switches Location

3.1 CONFIGURATION FOR 115U AND 135U

When interfacing to a 115U or a 135U, jumper **S2 must be removed**. In this configuration, SIMATIC uses a 8 bit data bus and always makes two accesses to read or write a 16 bit word (see Figure 5). The signals DB8 to DB15 are not used by the 115U/135U.

The organization of PAM Dual Port Memory (DPM) is 2K * 16. This is the reason for the double connection of the data bus on the PAM side. However, to the SIMATIC S5 115U/135U, the DPM looks like a 4K*8 memory. Switching of the data bus at the PAM side is controlled by the value of the address on the bus.

Configuration

PAM Simatic S5 --- Technical Manual

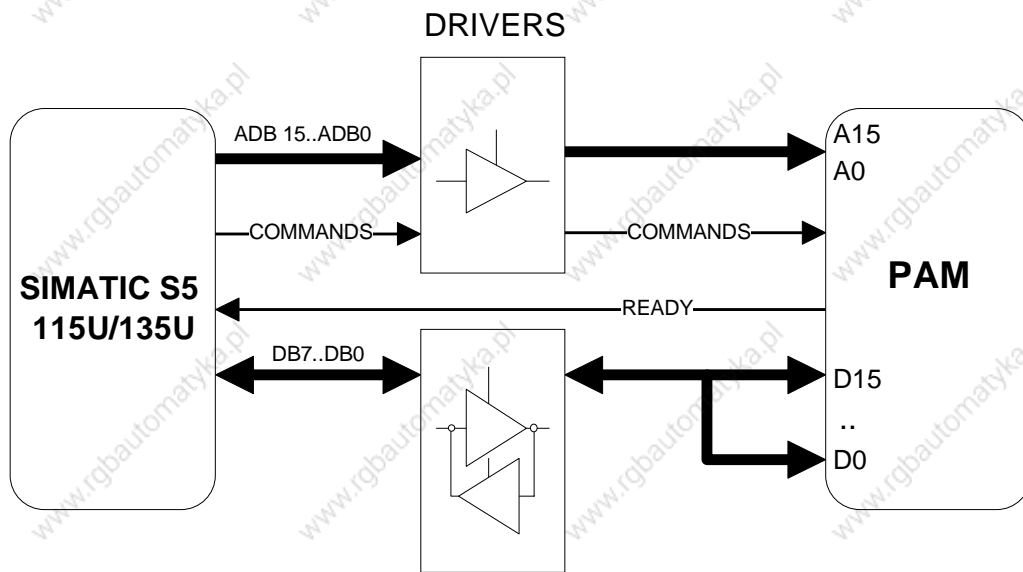


Figure 5: 115U/135U Mode

3.2 CONFIGURATION FOR 155U

When interfacing to a 155U, jumper **S2 must be installed**. In this configuration, SIMATIC uses a 16 bit data bus and accesses 16 bit words (see Figure 6). It sees the PAM DPM as a 2K * 16 bit memory.

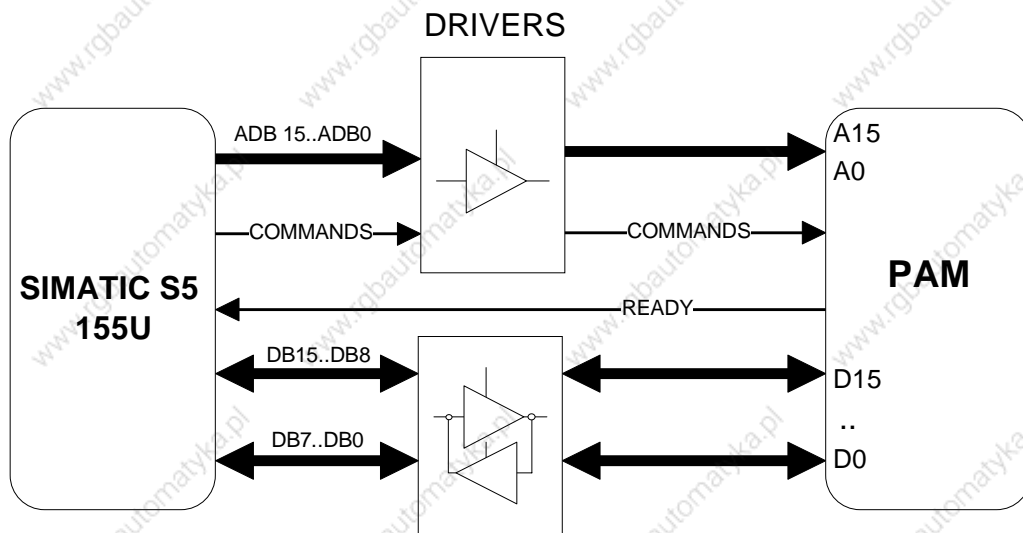


Figure 6: 155U Mode

3.3 PAM DUAL PORT MEMORY ADDRESS CONFIGURATION

The SIMATIC S5 can access up to 64Kbytes of memory (0000h to FFFFh). But, since the total capacity of the DPM is 4K bytes, this address space is divided by PAM into sixteen 4K byte pages of (see Figure 7). PAM DPM is mapped into one of these pages, as determined by the setting of configuration switch N12 (see Figure 4).

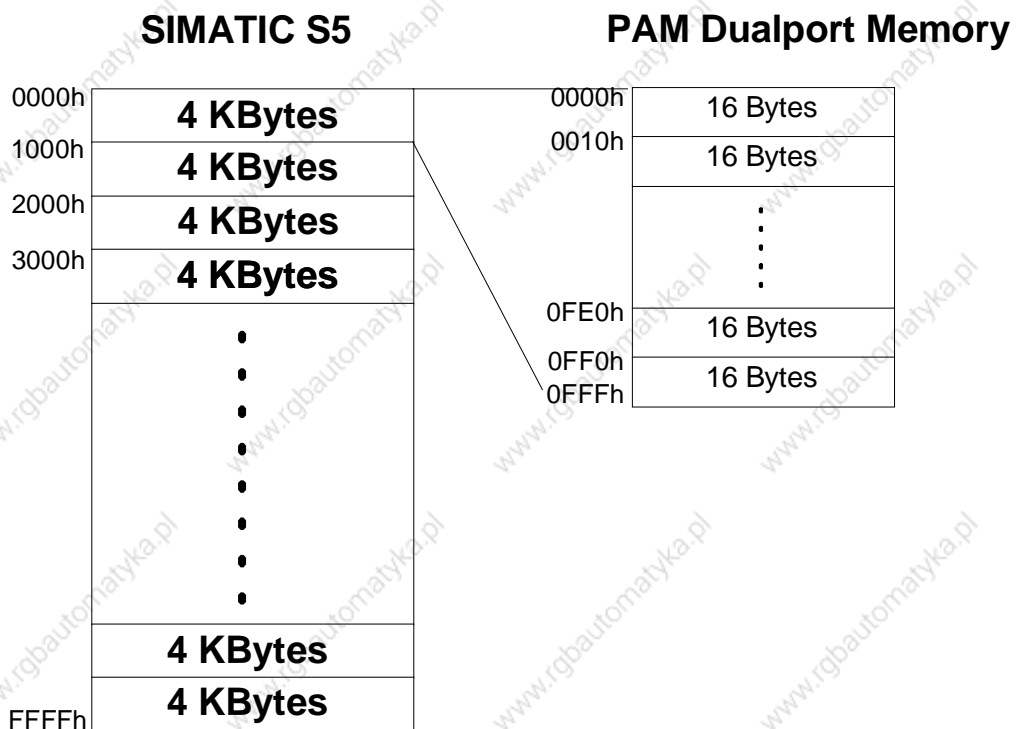


Figure 7: Memory configuration

If the application uses a large complement of Siemens peripheral cards requiring a lot of memory space on the bus, it is possible to reduce the size of the DPM using configuration switches N13 and N8 to define the start and end addresses of the Dual Port Memory in increments of 16 bytes. Switches N8 and N13 are located next to jumper S2 (see Figure 4).

Figure 8 illustrates the factory (default setting) of the address configuration switches which is:

- N12: Page 0 selected (DPM maps into addresses 0000 - 0FFF of Simatic bus address space)
- N13: Starting address of DPM in the selected page is 000
- N8: End address of DPM in the selected page is FFF

Configuration

PAM Simatic S5 --- Technical Manual

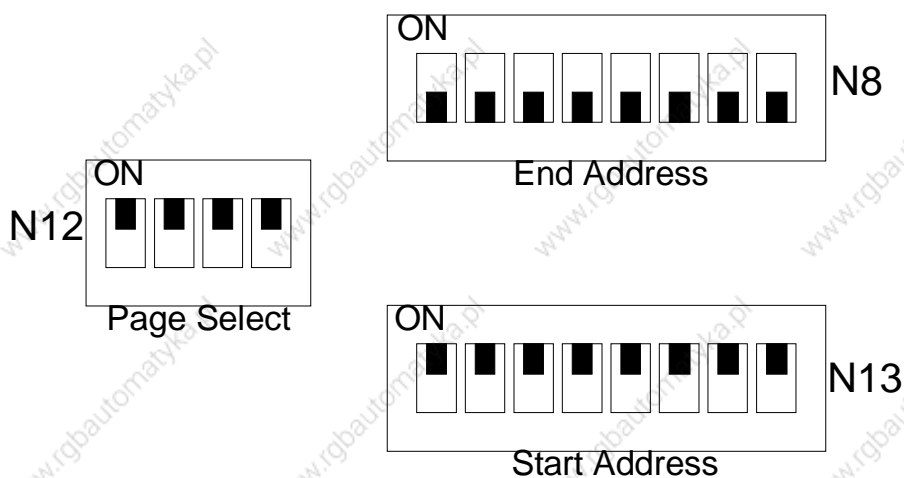


Figure 8: Address Configuration Switches (Factory configuration)



Logical values:

| | | |
|--------------|----|-----|
| Switch "ON" | -> | "0" |
| Switch "OFF" | -> | "1" |



The factory configuration (as shown in Figure 8) is: selected page: 00h, start address: 00h, end address: FFh.

3.4 CONFIGURATION EXAMPLES

EXAMPLE 1

A PAM must communicate with a SIMATIC S5 115U. There is a free space between physical address 2000h and 3000h on the SIMATIC Bus.

Solution:

Free Space between 2000h and 3000h => Page selection : 2xxxh

No memory restriction => Start address : x000h

End address : xFFFh

Figure 9 illustrates the address switch configuration for example 1.

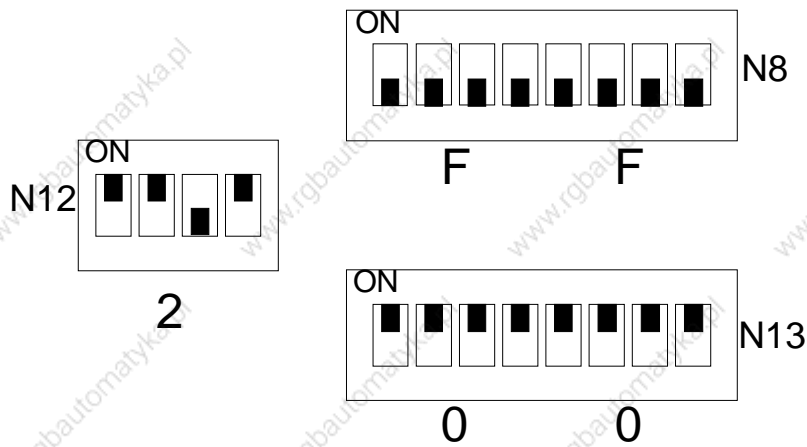


Figure 9: Address Switch Configuration for Example 1

EXAMPLE 2

A PAM must communicate with a SIMATIC S5 135U. With the 135U, the free memory space is restricted (see [Simatic S5 Driver for PAM, Technical Manual, p/n 006.8023.B](#)). Typical free memory space is FC00h to FDFh.

Solution:

Free Space between FC00h and FDFh => Page selection : Fxxxh
 Start address : xC00h
 End address : xDFh

Figure 10 illustrates the address switch configuration for example 2.

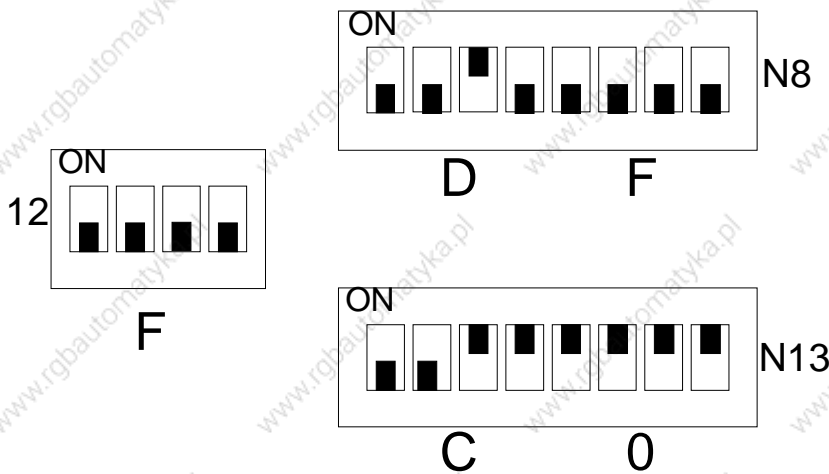


Figure 10: Address Switch Configuration for Example 2

Configuration

PAM Simatic S5 --- Technical Manual

3.5 OTHER SWITCHES

All other switches of the SIMATIC S5 interface board, from S3 to S15, and all switches of the CPU board are configured at the factory and may not be modified.

4 ANALOG OUTPUTS

Two analog outputs are accessible on the PAM Simatic front panel. These analog outputs which may be used by the application for monitoring or debug purposes (see [PAM Reference Manual](#)) have 8 bit resolution, 0V to 10V amplitude and are not isolated.

