

Ultimate Miniature Size Connector with Integral Cable Clamp Cap

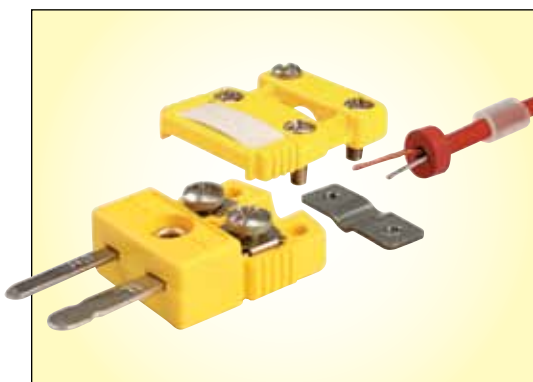


SMPW-CC Series

- ✓ Integral Cap+Cable Clamp
- ✓ Strain Relief With Grommet
- ✓ Captive Cover Screws
- ✓ Captive Clamp Screws
- ✓ Accepts Stranded or Solid Wire as Small as 40 AWG Up to 20 AWG, or Overbraided, TWSH, Armored Up to 5.5 mm (0.22") OD
- ✓ Contact Washers for Quick Connect Wire Termination
 - Use Straight Wire
 - No Wire Loop Required
- ✓ Internal Wire Divider
- ✓ Write-On Window
- ✓ Combination Phillips/Slot Screws
- ✓ 100% Top Side Assembly
- ✓ Glass Filled Nylon Rated From -29 to 180°C (-20 to 356°F)

Note: Minor discoloration of connector may occur between 150°C (302°F) and 180°C (356°F). Electrical properties are not affected.

Reduce Assembly Time From 3 Minutes to Less Than 1 Minute!



**Incredible Labor Saver!
No Loose Screws, All Cover Screws Are Captive!**

Terminate straight wire, wire loop not necessary.

Back plate 1/8" supplied adjustable to hold 40 AWG to 5.5 mm (0.22") OD.

Grommets included, For grommet options visit us online.

Contact washers.

All screws are combination head.

SMPW-CC-K-M shown larger than actual size.

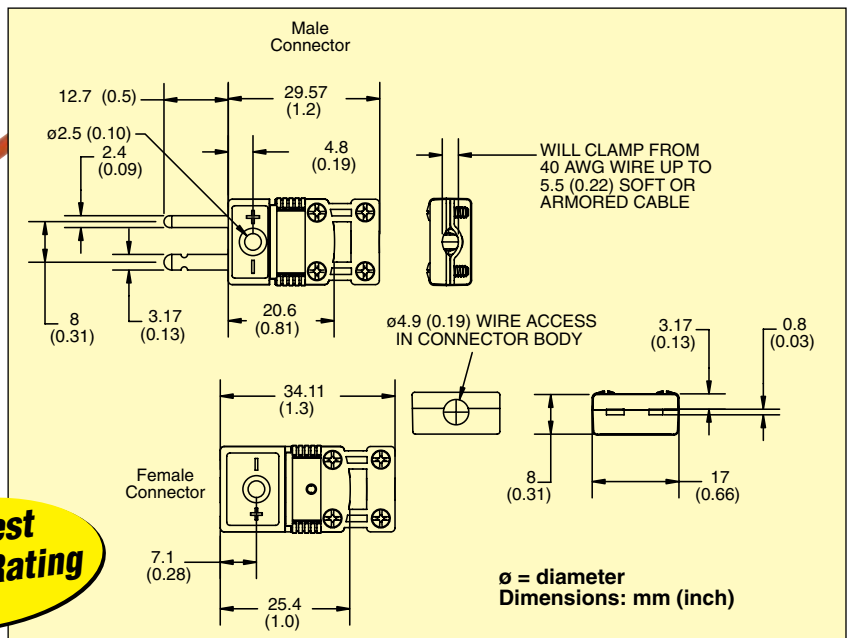
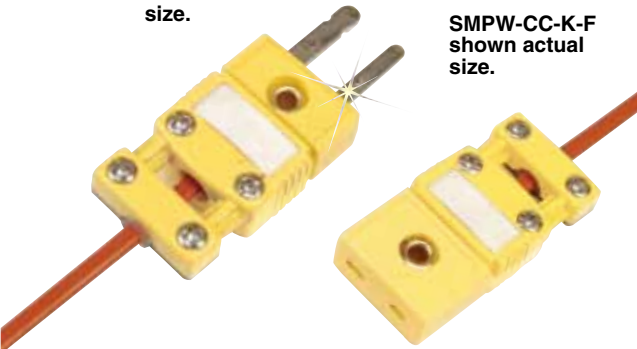
Actual size.

SMPW-CC-K-F shown larger than actual size.

Side Load Equal to Stainless Steel

SMPW-CC-K-M shown actual size.

SMPW-CC-K-F shown actual size.



Pull Test Highest Rating

Discount Schedule	
1-10	Net
11-49	5%
50-99	10%
100-999	15%
1000-4999	20%
5000 and over	25%

Alloy Code	Compensating Alloy Used in Connector		ANSI Color Code	Glass-Filled Nylon Model Number	
	(+)	(-)		Male	Female
K	CHROME Ω	ALOME Ω	Yellow	SMPW-CC-K-M	SMPW-CC-K-F
T	Copper	Constantan	Blue	SMPW-CC-T-M	SMPW-CC-T-F
J	Iron	Constantan	Black	SMPW-CC-J-M	SMPW-CC-J-F
E	CHROME Ω	Constantan	Purple	SMPW-CC-E-M	SMPW-CC-E-F
R/S	Copper	RNX/SNX	Green	SMPW-CC-R/S-M	SMPW-CC-R/S-F
C	CPX	CNX	Red	SMPW-CC-C-M	SMPW-CC-C-F
U	Copper	Copper	White	SMPW-CC-U-M	SMPW-CC-U-F
N	OMEGA-P Ω	OMEGA-N Ω	Orange	SMPW-CC-N-M	SMPW-CC-N-F

Ordering Example: SMPW-CC-K-M clamp cap, Type K, flat pin male.

Quick Assembly Tool!

SMP-CC-TOOL shown smaller than actual size.

