

Softstart

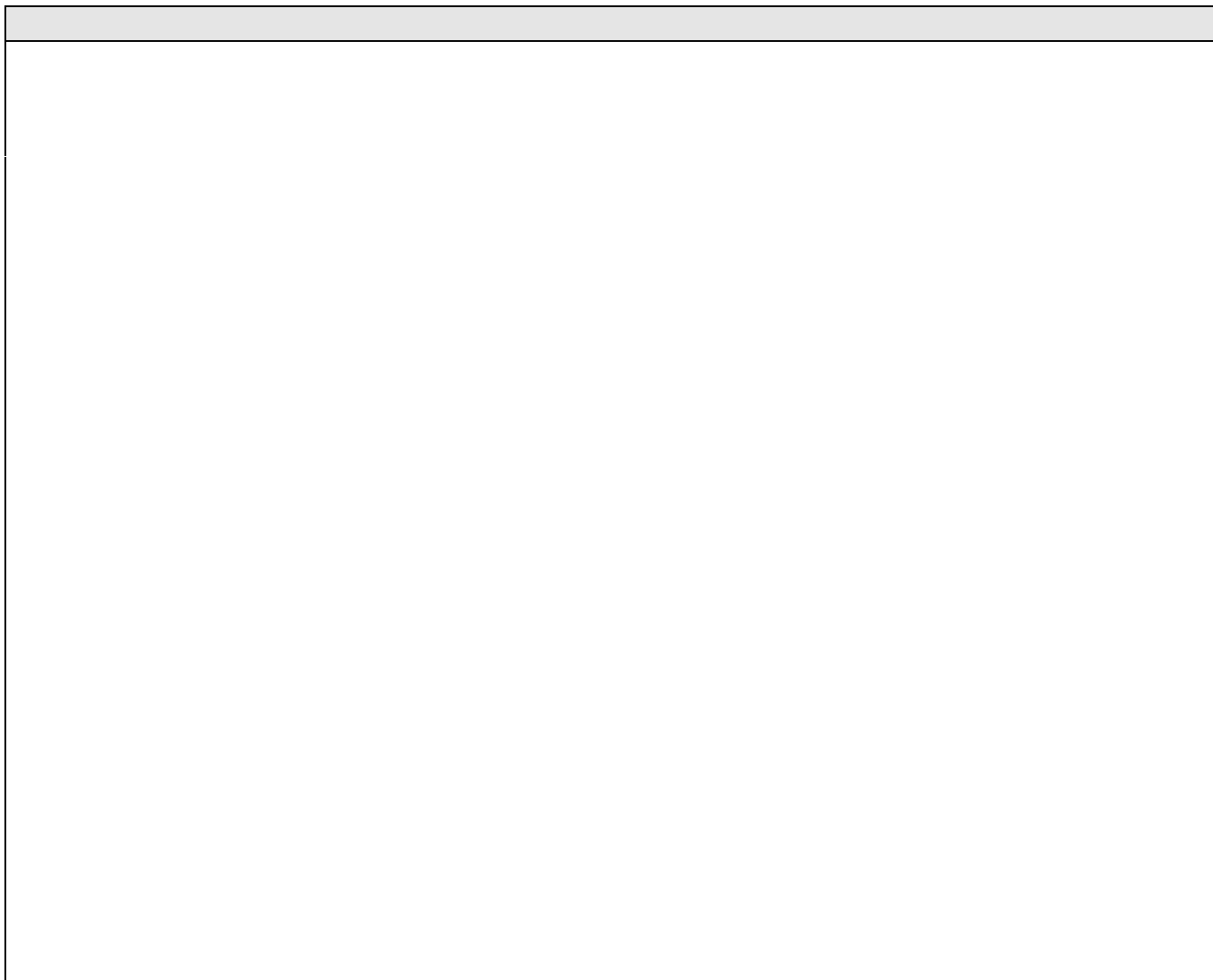
Diagram for softstarters

PS A18...60

PS D75...840

PS DH30...720

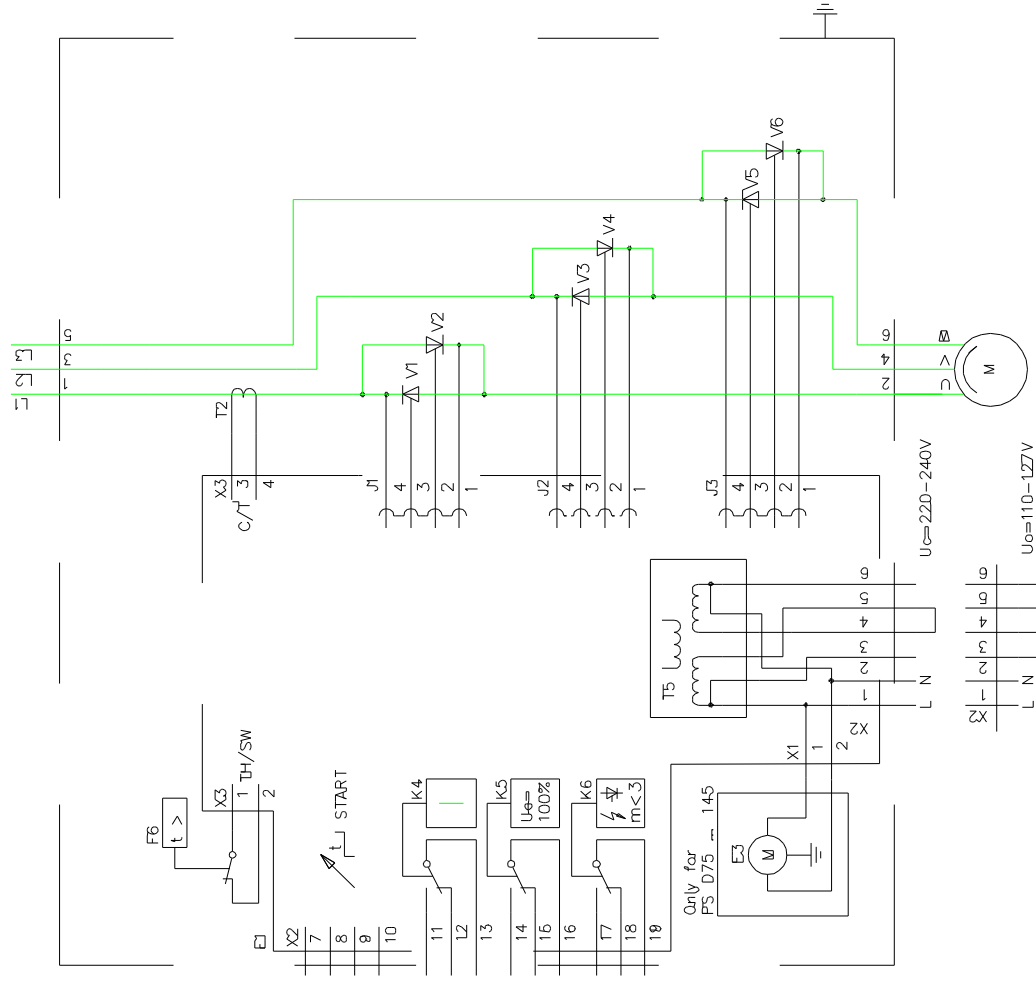
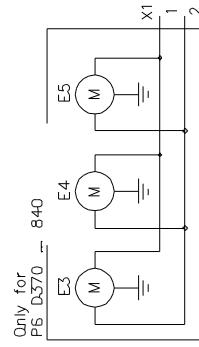
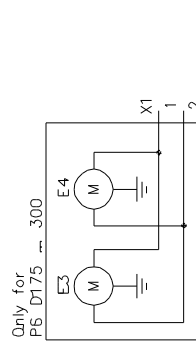
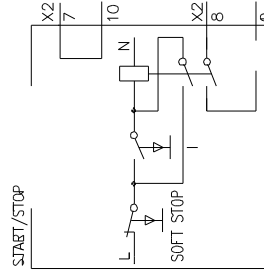
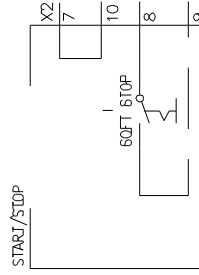
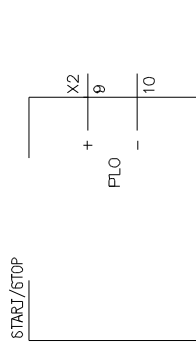
5309 698-1 Edition 4 Dec-01 (English)



STANDARD DIAGRAM

5366 104-1	PS A18...60	Standard.
5366 104-2	PS D75...840	Standard.
5366 104-3	PS D75...840	Standard.
	PS DH30...720	

Soft Starter PS D75...840 standard diagram.



- E1 - E5
- F6 - E5
- J1 - J3
- K4
- K5
- K6
- T2
- T5
- V1 - V6
- X1 - X3

- Circuit board
- Fan
- Temperature monitor
- Contact blocks
- Relay, actuated in operational position
- Relay, actuated at full voltage (Ue=100%)
- Relay, fault signal
- Current transformer
- Control transformer
- Thyristor
- Terminal block

ST04-2

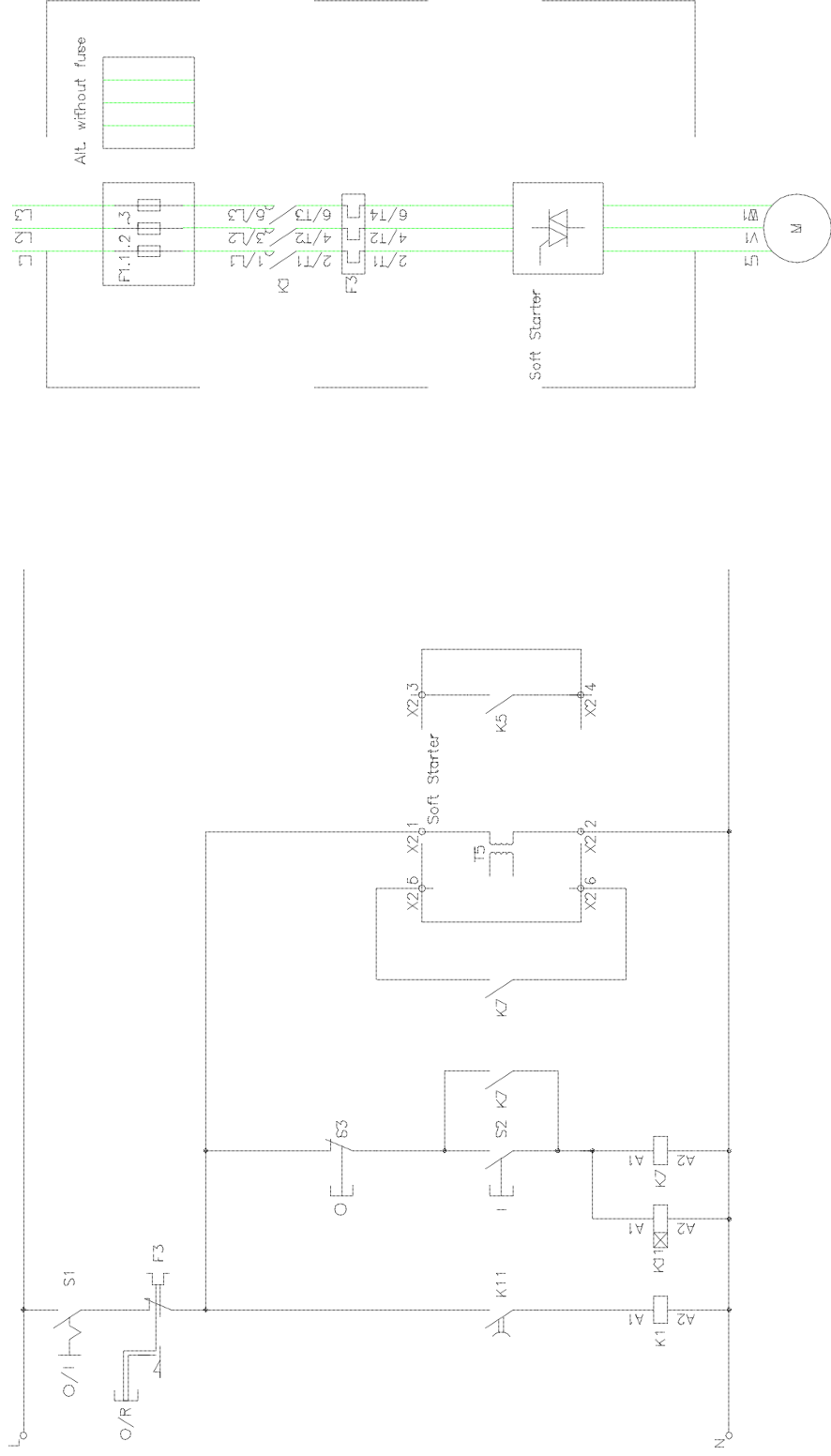
4	Approved	TP	95	07	Year	1995	Week	07
	Rev. int.							
<p>Design checked by: T. PERSSON Drawing checked by: T. PERSSON Drawn by: TP</p>								
<p>Circuit diagram: SOFT STARTERS MJKSTARTARE</p>								
<p>ABB Control</p>								
<p>ISSUED</p>								
<p>5366 104-2</p>								
<p>Rev. int. Sheet: 4</p>								
<p>Logg Sheet: 1</p>								
<p>Rev. int. Cont: 4</p>								

APPLICATION DIAGRAM

5366 105-1	PS A18...60	With motor protection and softstop.
5366 105-2	PS D75...300	With motor protection and softstop.
5366 105-3	PS D370...840	With motor protection and softstop.
5366 105-4	PS D75...300	With motor protection and softstop.
	PS DH30...250	
5366 105-5	PS D370...840	With motor protection and softstop.
	PS DH300...720	
5366 105-6	PS A18...60	With softstop and By-pass.
5366 105-7	PS D75...300	With softstop and By-pass.
5366 105-8	PS D370...840	With softstop and By-pass.
5366 105-9	PS D75...145	With softstop and By-pass.
	PS DH30...110	
5366 105-10	PS D175...300	With softstop and By-pass.
	PS DH145...250	The internal overload relay is working also together with By-pass.
5366 105-11	PS D370...840	With softstop and By-pass.
	PS DH300...720	The internal overload relay is working also together with By-pass.
5366 105-12	PS A18...60	With motor protection, softstop and By-pass.
5366 105-13	PS D75...300	With motor protection, softstop and By-pass.
5366 105-14	PS D370...840	With motor protection, softstop and By-pass.
5366 105-15	PS D75...145	With motor protection, softstop and By-pass.
	PS DH30...110	
5366 105-16	PS D175...300	With motor protection, softstop and By-pass.
	PS DH145...250	The internal overload relay is working also together with By-pass.
5366 105-17	PS D370...840	With motor protection, softstop and By-pass.
	PS DH300...720	The internal overload relay is working also together with By-pass.
5366 105-18	PS A18...60	With reversing and softstop.
5366 105-19	PS D75...300	With reversing and softstop.
5366 105-20	PS D370...840	With reversing and softstop.
5366 105-21	PS D75...840	With reversing and softstop.
	PS DH30...720	
5366 105-22	PS A18...60	With reversing, By-pass and softstop.
5366 105-23	PS D75...300	With reversing, By-pass and softstop.
5366 105-24	PS D370...840	With reversing, By-pass and softstop.
5366 105-25	PS D75...145	With reversing, By-pass and softstop.
	PS DH30...110	
5366 105-26	PS D175...300	With reversing, By-pass and softstop.
	PS DH145...250	The internal overload relay is working also together with By-pass.
5366 105-27	PS D370...840	With reversing, By-pass and softstop.
	PS DH300...720	The internal overload relay is working also together with By-pass.

5366 105-28	PS A18...60	With pole-changing and softstop. For motor with two winding.
5366 105-29	PS D75...300	With pole-changing and softstop. For motor with two winding.
5366 105-30	PS D370...840	With pole-changing and softstop. For motor with two winding.
5366 105-31	PS A18...60	With pole-changing, By-pass and softstop. For motor with two winding.
5366 105-32	PS D75...300	With pole-changing, By-pass and softstop. For motor with two winding.
5366 105-33	PS D370...840	With pole-changing, By-pass and softstop. For motor with two winding.
5366 105-34	PS A18...60	With pole-changing and softstop.
5366 105-35	PS D75...300	For motor with one winding (Dallander). With pole-changing and softstop.
5366 105-36	PS D370...840	For motor with one winding (Dallander). With pole-changing and softstop.
5366 105-37	PS A18...60	For motor with one winding (Dallander). With pole-changing, By-pass and softstop.
5366 105-38	PS D75...300	For motor with one winding (Dallander). With pole-changing, By-pass and softstop.
5366 105-39	PS D370...840	For motor with one winding (Dallander). With pole-changing, By-pass and softstop.

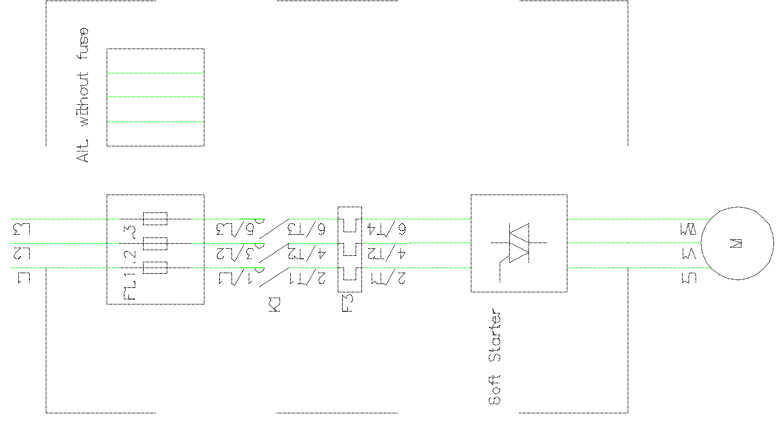
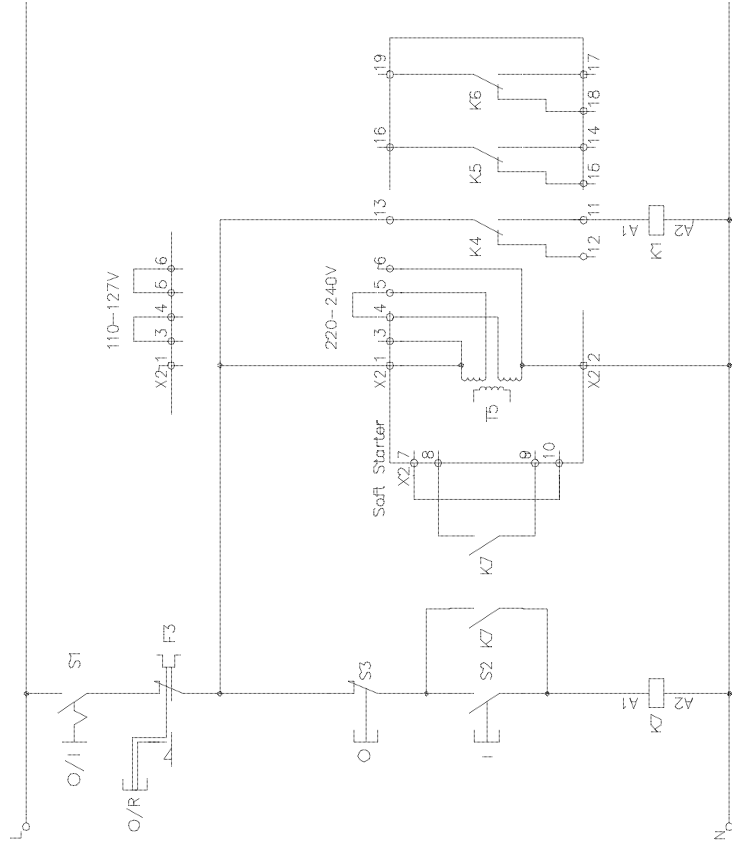
Soft Starter PS A18...60 with motor protection and softstop.
 Main contactor open during pause



A105-1

APPLICATION DIAGRAM		ISSUED	
Soft Starter		82	
Mjukstartare		5366 105-1	
T Persson		SECUR/B00 B05	
T Persson		1	
TP		1	
TP: 06 40		1	
App: Int		1	
Year: 06		1	
Risk: 40		1	
1 K11 Insert and fuse moved		1	

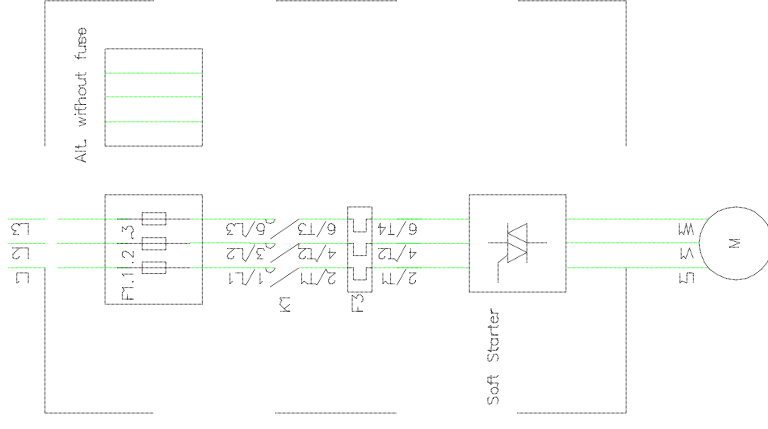
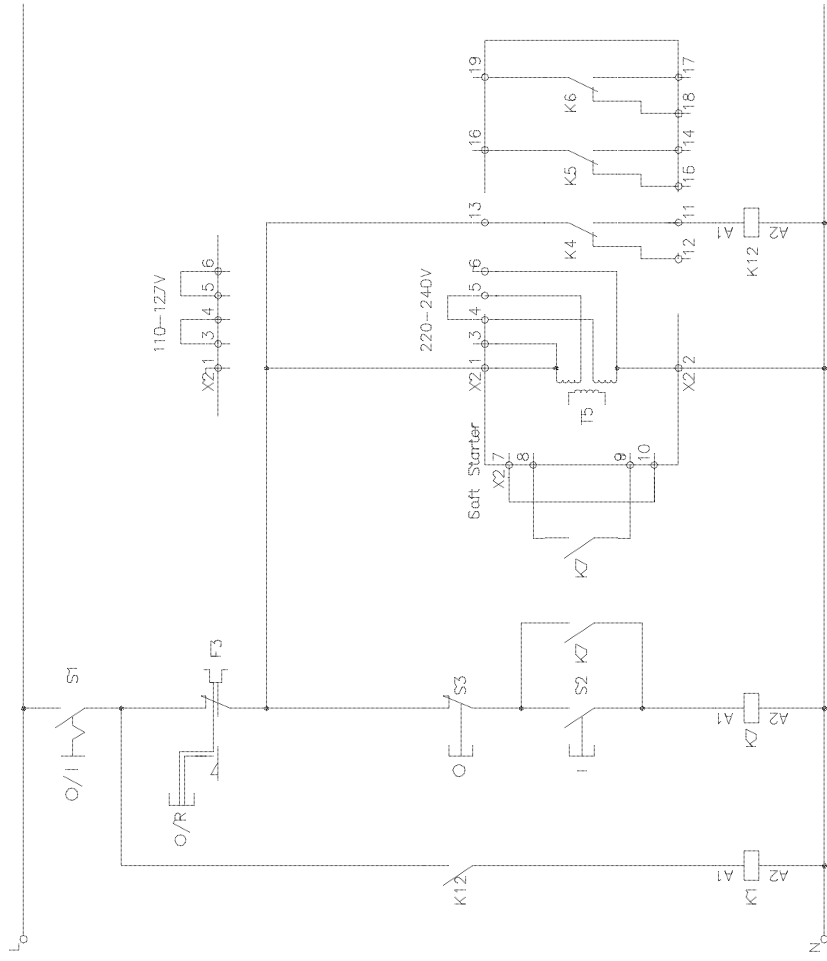
Soft Starter PS D75...300 with motor protection and softstop.
 Main contactor open during pause



A105-2

Design checked by T. PERSSON		APPLICATION DIAGRAM Soft Starter Mjokstortare		Rev. no. 82	Sheet 1
Drawing checked by T. PERSSON		ABB ABB Control		Long 5366 105-2	Rev. no. Cont.
Drawn by TP		Iss. by Dept. SECUR/BB		Year 05	Rev. no. Cont.
1	K1 and fuses moved	TP	06	40	...
Rev. no.	App.	Year	Week	ISSUED	...

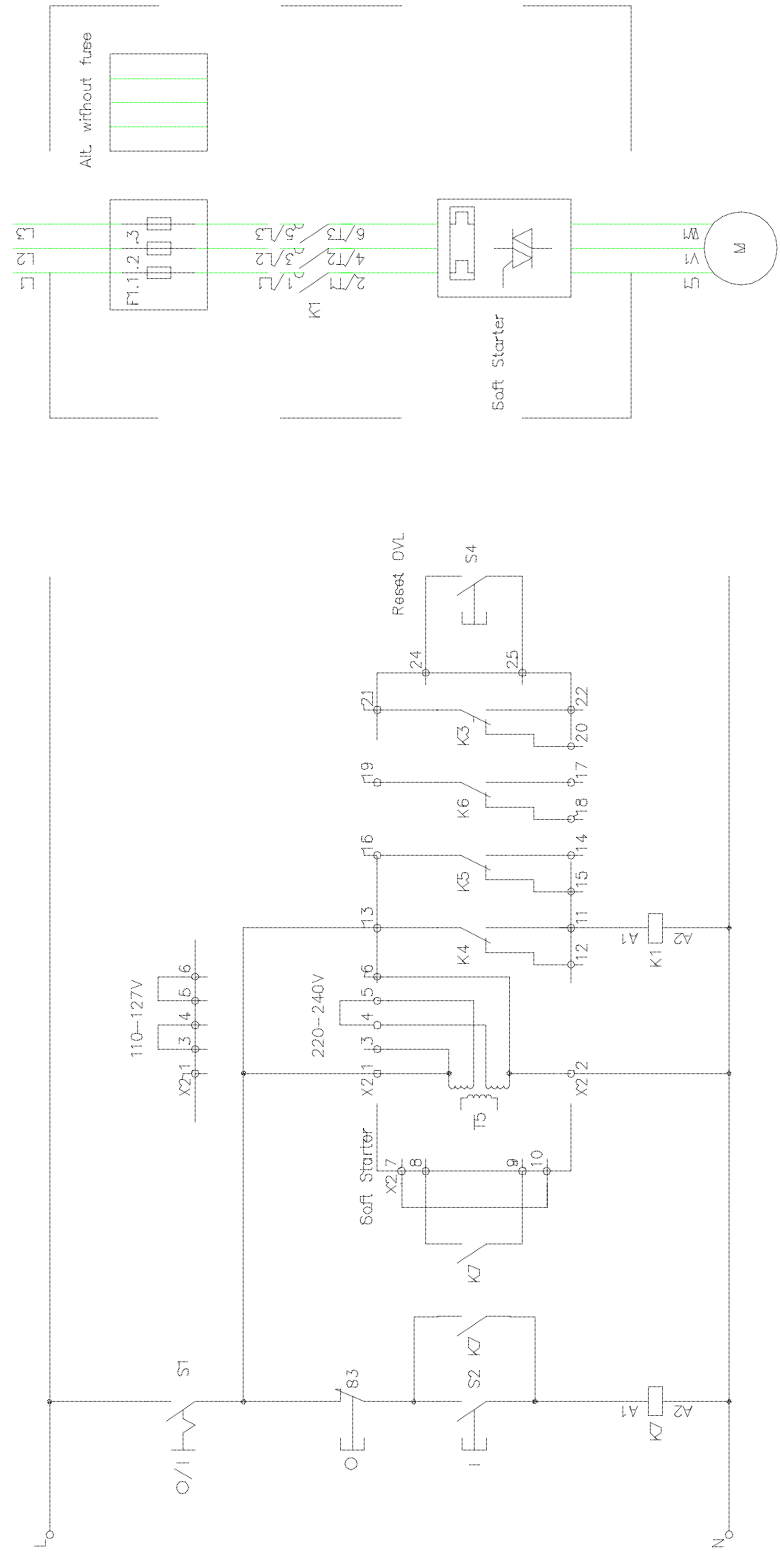
Soft Starter PS D370...840 with motor protection and softstop.
 Main contactor onen during pause



AI05-3

REV. NO		1	K12 Inset and fuse moved	TP	06	40
APPD		TP				
YEAR						
ISSUED		1				
SECUR./BQ		B6	B5			
APPLICATION DIAGRAM		Soft Starter Mjakstartare				
T. Perissaa		APPLICATION DIAGRAM				
T. Perissaa		Soft Starter				
TP		Mjakstartare				
5366 105-3		ISSUED				
82		1				
1		...				

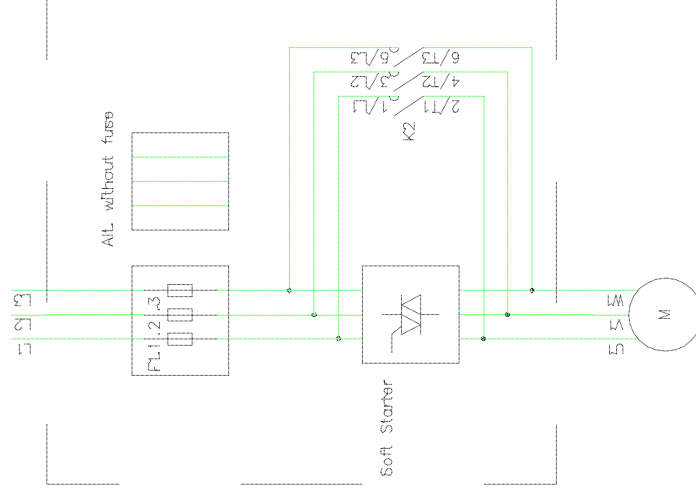
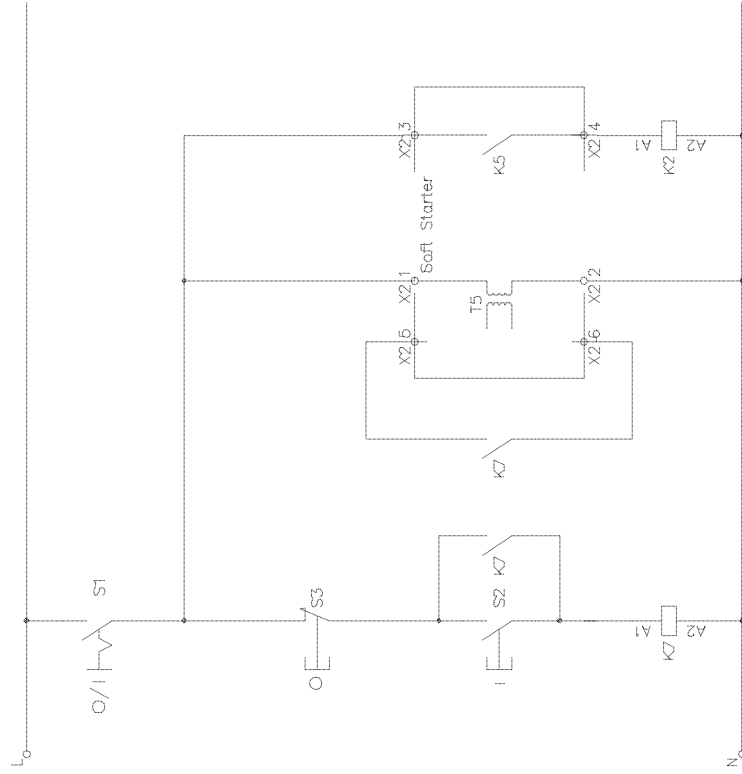
Soft Starter PS D75...300, PS DH30...250 with motor protection and softstop.
 Main contactor open during pause



AI05-4

Design checked by T. Persson		APPLICATION DIAGRAM Soft Starter Mjukstarkare		Issued by Dept. Year Week SECUR/80 86 05	
Drawing checked by T. Persson		ABB ABB Control		Issued 5366 105-4	
Drawn by TP		TP 96 40		Rev. no. Sheet 2 82	
Appl. Year Week TP 96 09		TP 96 09		Rev. no. Cont. 2	

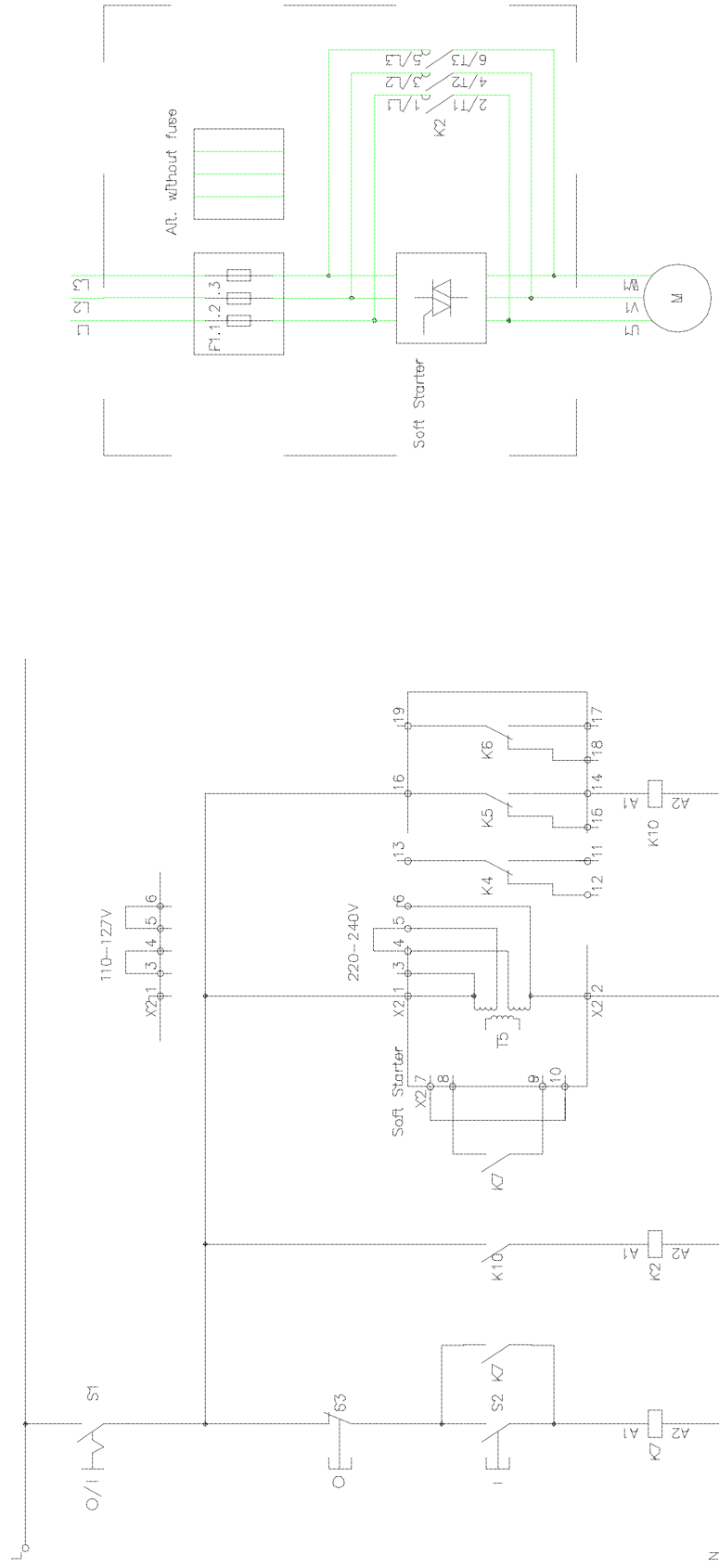
Soft Starter PS A18...60 with softstop and By-pass.



A105-6

APPLICATION DIAGRAM		SECUR/80 06 05		ISSUED	
Soft Starter		Mjuketartare		5366 105-6	
I Perissaa		I Perissaa		82	
I Perissaa		TP		1	
TP		Appd		1	
1 Fuses moved		86 40		...	
Rev int		Xor		100x	

Soft Starter PS D370...840 with softstop and By-pass.

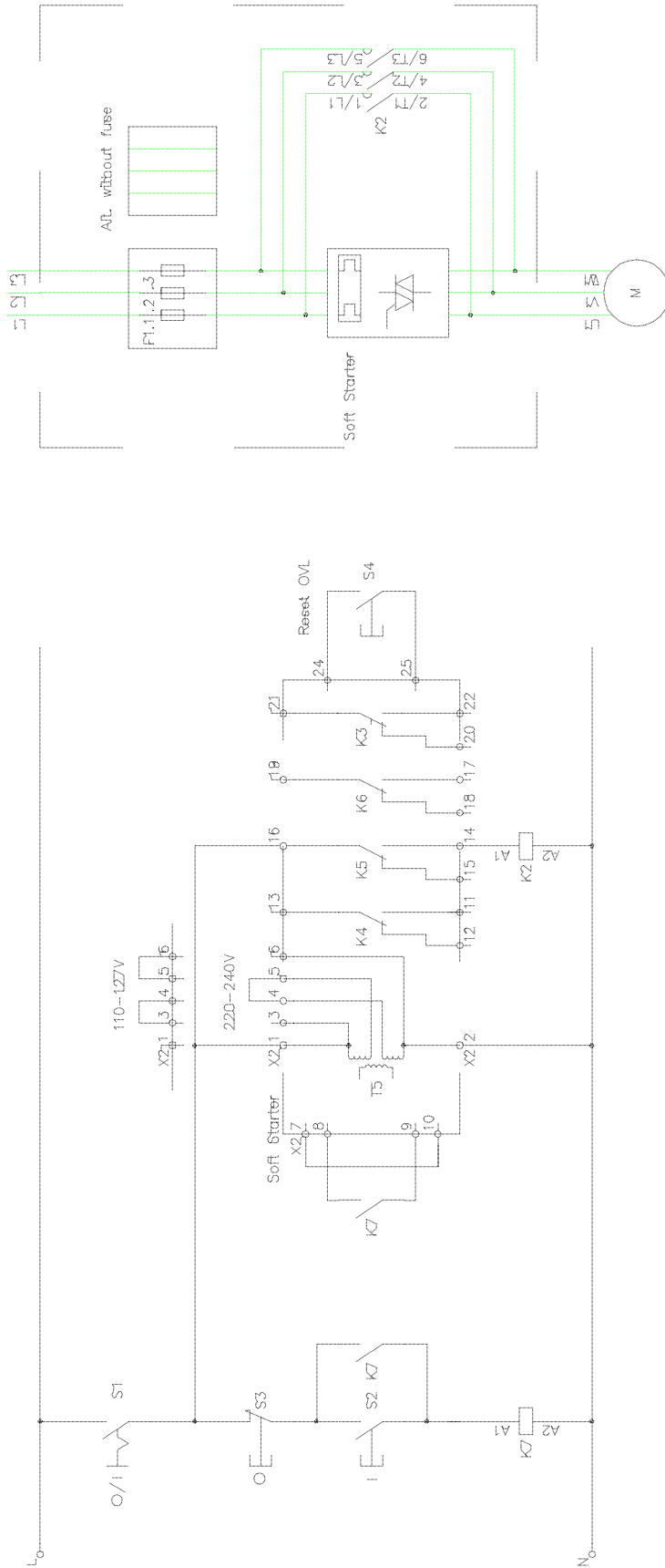


A105-8

APPLICATION DIAGRAM		SECUR/80 06 05	
I Perisosa	Soft Starter	82	1
I Perisosa	Mjakstartare	5366 105-8	1
TP		ISSUED	...

1	Fuses moved	TP	06 40
Rev int		Appt	Yor
		Week	

Soft Starter PS D75...145, PS DH30...110 with softstop and By-pass.

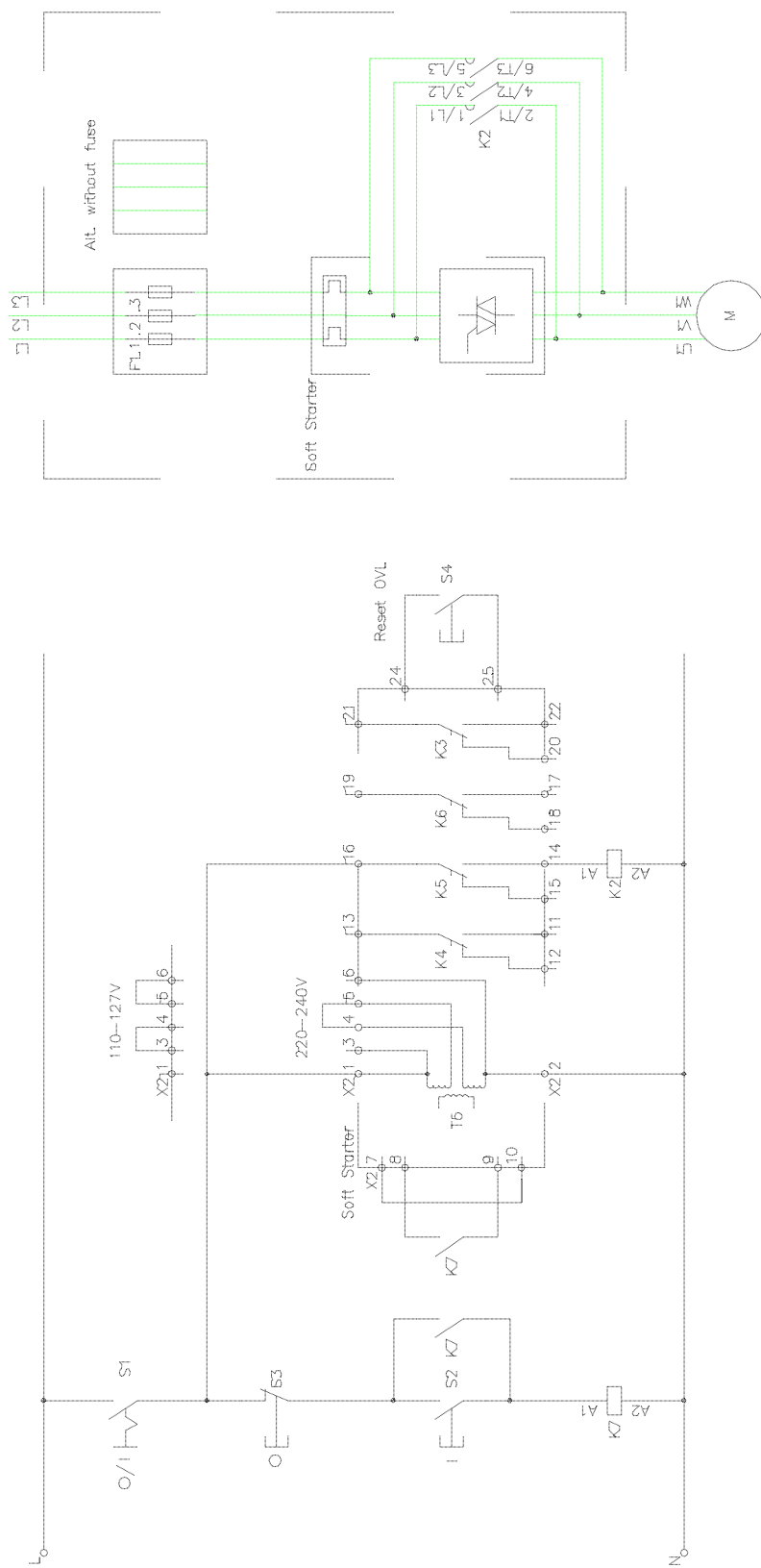


Rev. no.		Date		Description	
2	Fuses moved	TP	06	40	
1	Adjusted	TP	06	08	
		Appd.	Year	Week	
Design checked by		APPLICATION DIAGRAM			
Drawing checked by		Soft Starter			
Drawn by		Mjukartare			
TP		ABB Control			
Issued by		ISSUED			
Rev. no.		Date		Description	
2	Rev. no.	05	06	05	
1	Long	82	1		
...	Rev. no.	2	1		

5366 105-9

A105-9

Soft Starter PS D175...300, PS DH145...250 with softstop and By-pass.
 The internal overload relay is working also together with By-pass.



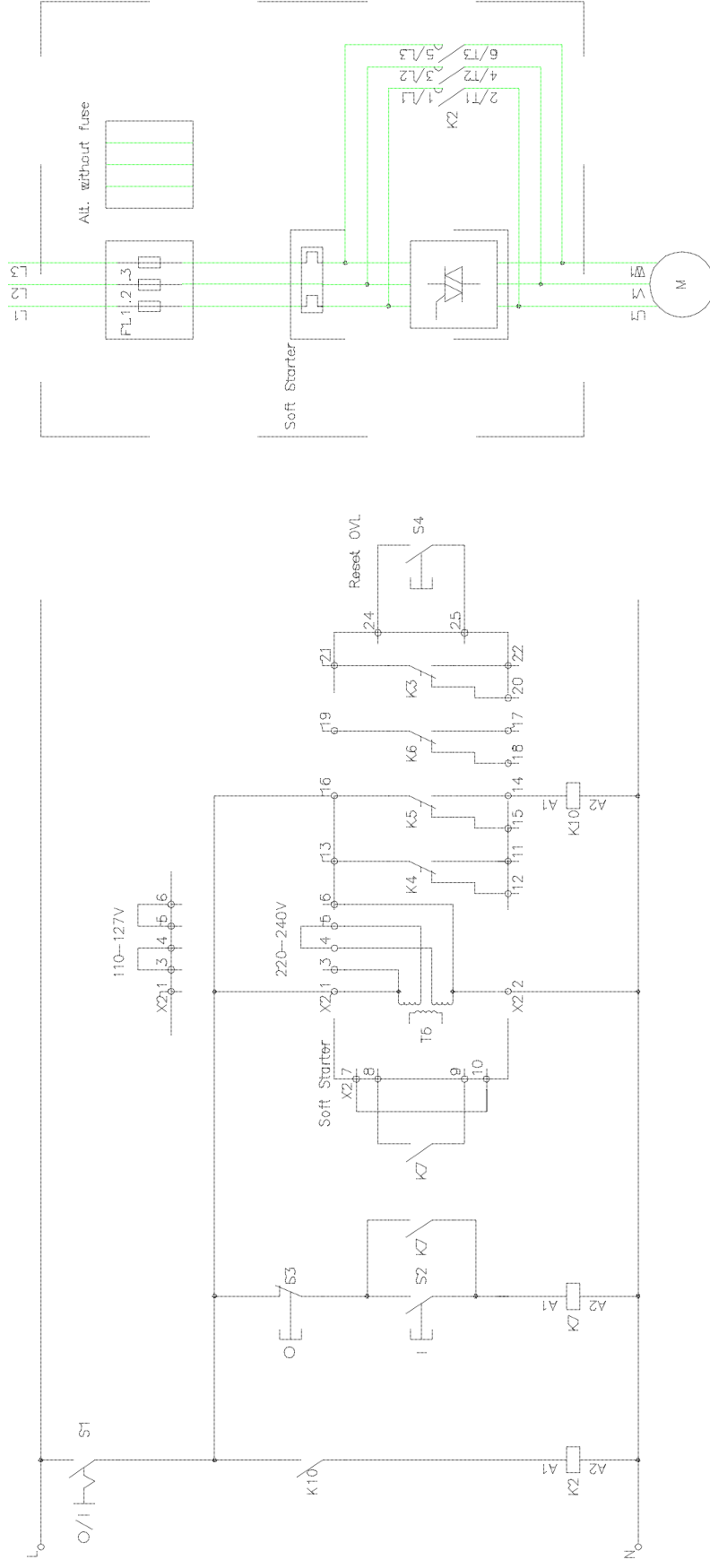
A105-10

Rev. no.		Appd.	Year	Issue	SECUR/80 06 05		ISSUED	
2	KT0 removed	TP	96 40	82	5366 105-10			
1	Adjusted	TP	96 09	2	...			

APPLICATION DIAGRAM
 Soft Starter
 Mjukstartare

I Persson
 I Persson
 TP

Soft Starter PS D370...840, PS DH300...720 with softstop and By-pass.
 The internal overload relay is working also together with By-pass.



A105-11

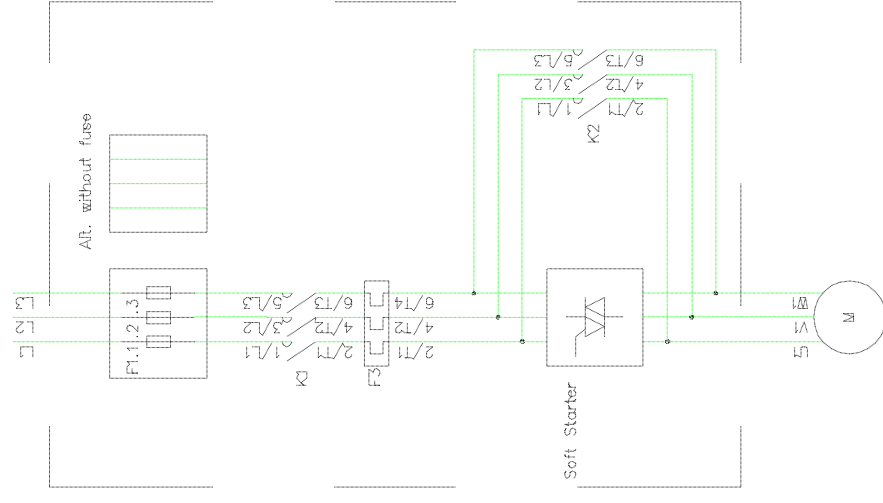
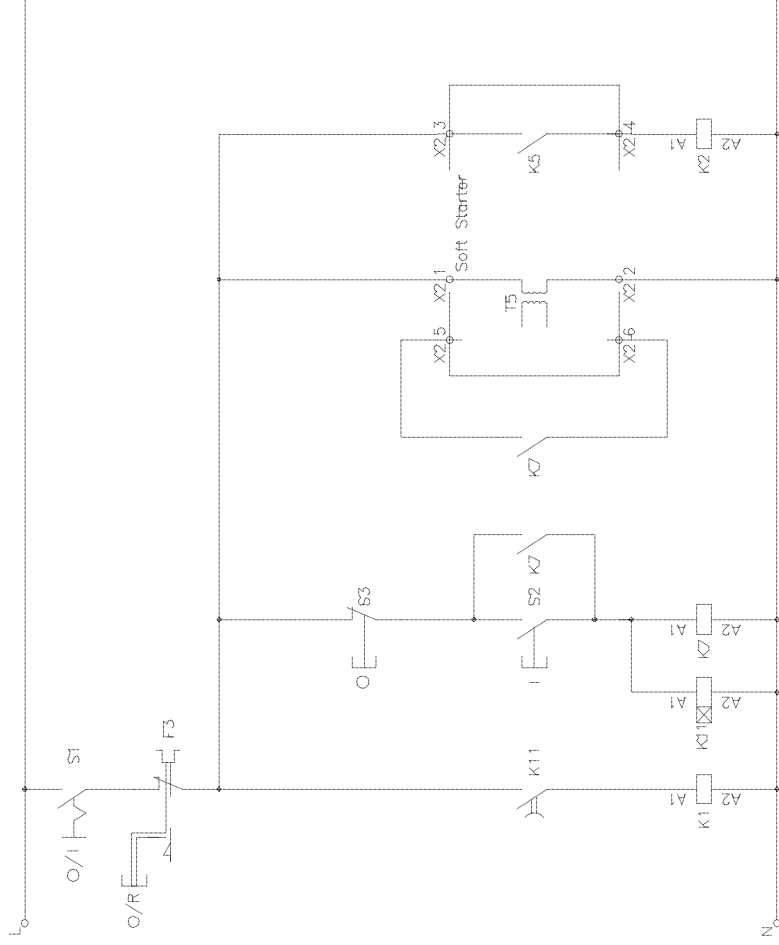
Rev. no.	Appd.	Year	Week	Issued	Rev. no.	Appd.	Year	Week	Issued
2	TP	86	40		5366	105-11			
1	TP	86	08						

Design checked by		Year		Week	
I. Persson		86		05	
Drawing checked by		Year		Week	
I. Persson		86		05	
Drawn by		Year		Week	
TP		86		05	

APPLICATION DIAGRAM	
Soft Starter	ABB Control
Mjukstartare	

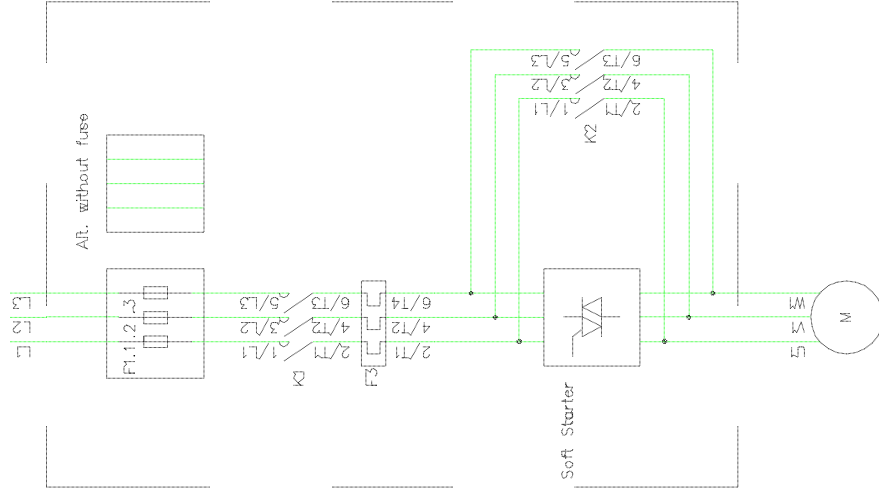
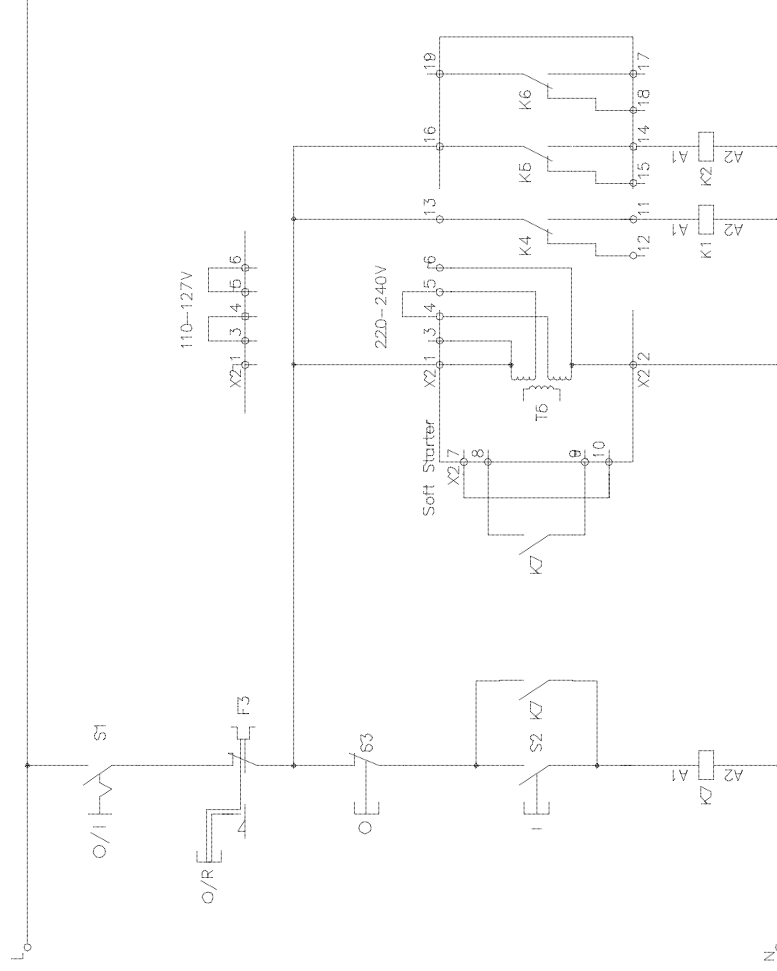
Rev. no.	Sheet
2	82
1	81

Soft Starter PS A18...60 with motor protection, softstop and By-pass.
 Main contactor open during pause



Rev int	1	Appd	TP	86	40	Year	Week
1	Redrains	TP	86	40			
Design checked by I Persson Drawing checked by I Persson Drawn by TP							
APPLICATION DIAGRAM Soft Starter Mjukstartare							
ABB Control							
Issued by STORL/BO 05 05							
5366 105-12							
Rev int	1	Sheet	82	Long	1	Rev int	1
A105-12							

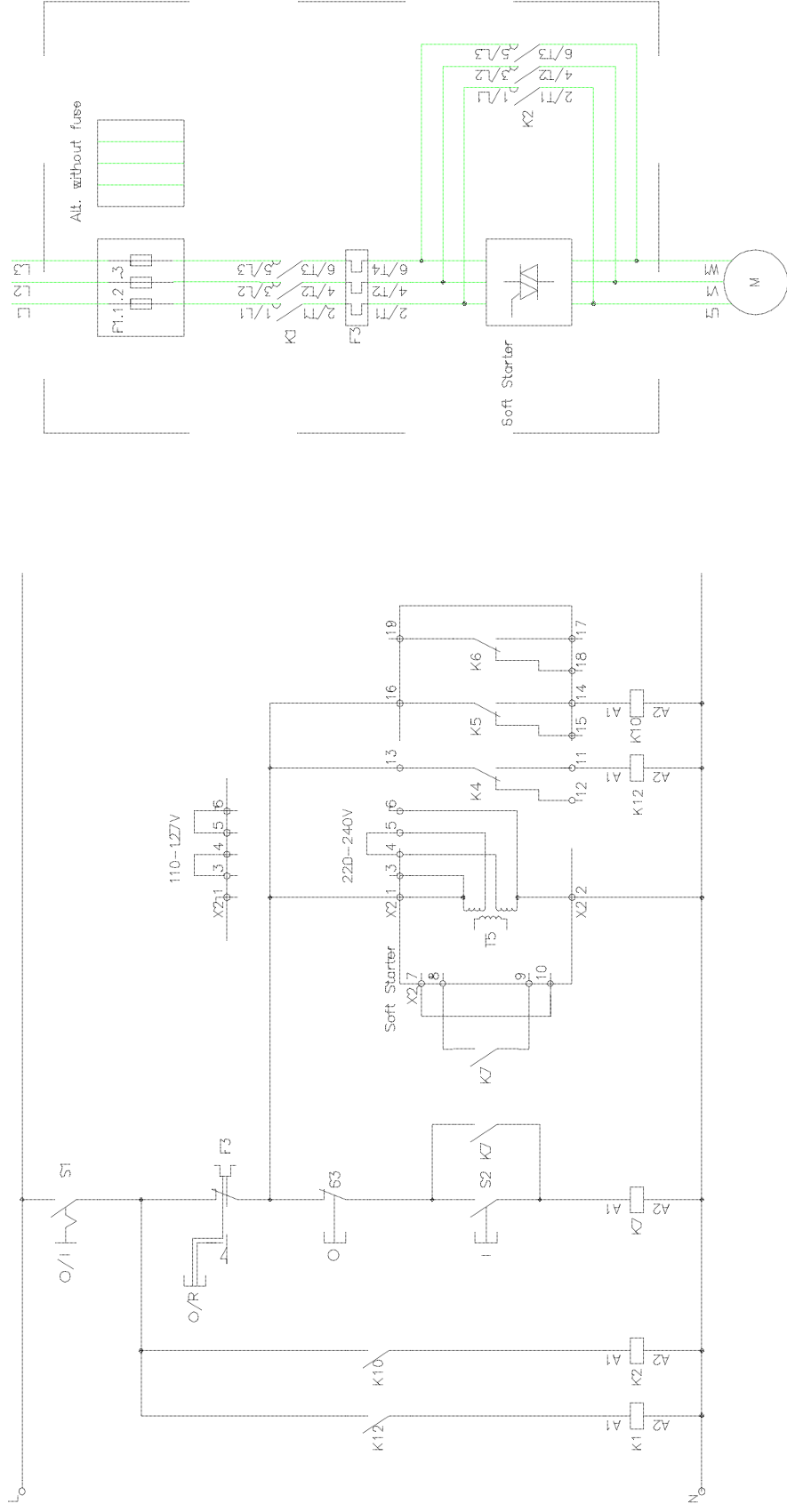
Soft Starter PS D75...300 with motor protection, softstart and By-pass.
 Main contactor open during pause



AJ05-13

I Persson		APPLICATION DIAGRAM		82		1	
I Persson		Soft Starter		5366 105-13		1	
TP		Mjukstartare		ISSUED		1	
1 K10 removed, K1, K2 and fuses moved		TP 86 40		SECUR/80 86 05		---	
Rev int	Appd	Year	Week				

Soft Starter PS D370...840 with motor protection, softstop and By-pass.
 Main contactor open during pause



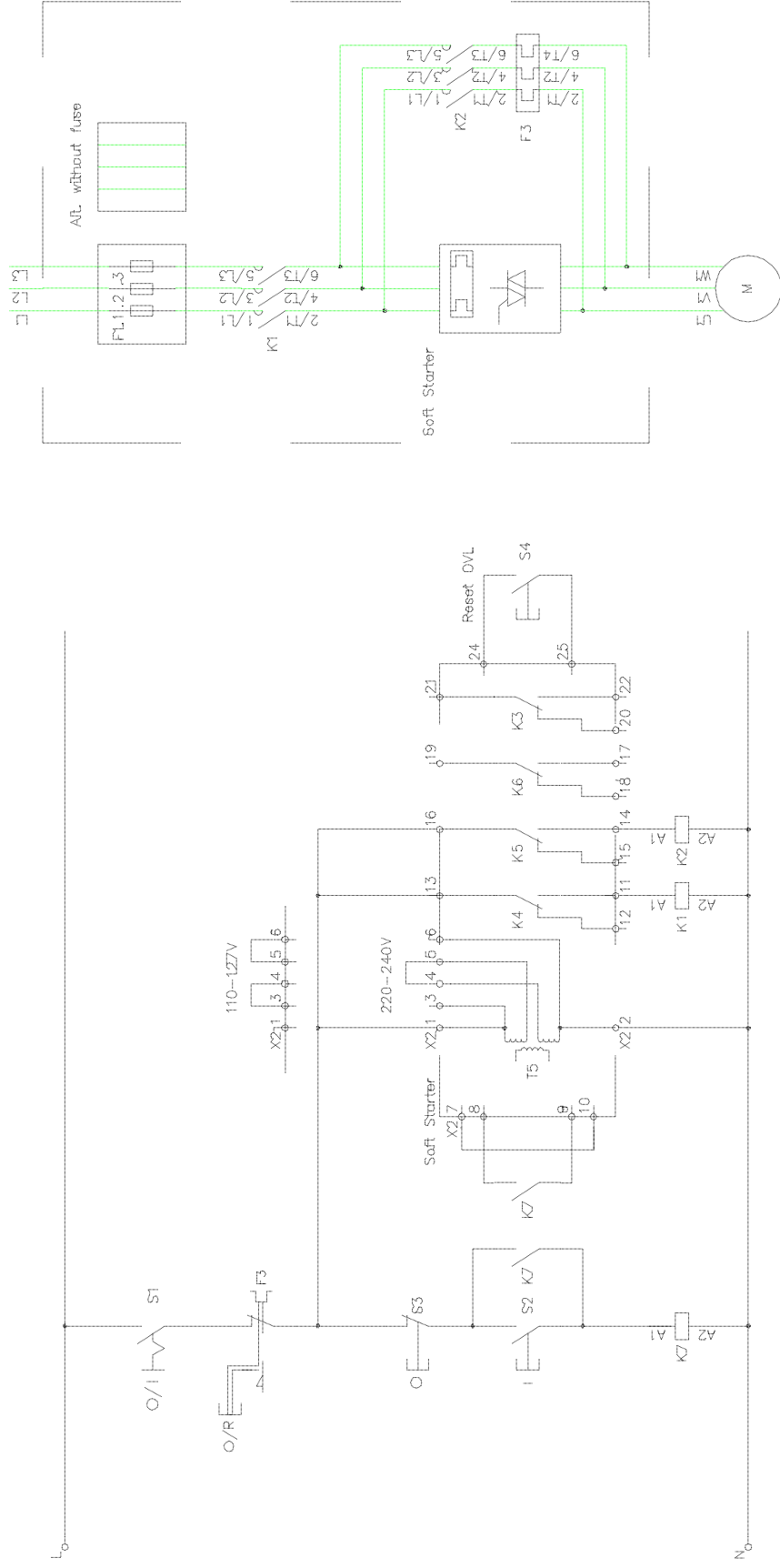
A105-14

APPLICATION DIAGRAM		SECUR/80 06 05	
I Pensson	Soft Starter	82	1
I Pensson	Mjpkstartare	5366 105-14	1
TP		ISSUED	...

1 K12 fasett and fuses moved

Rev: ut Appl: 86 40 Year: 1986

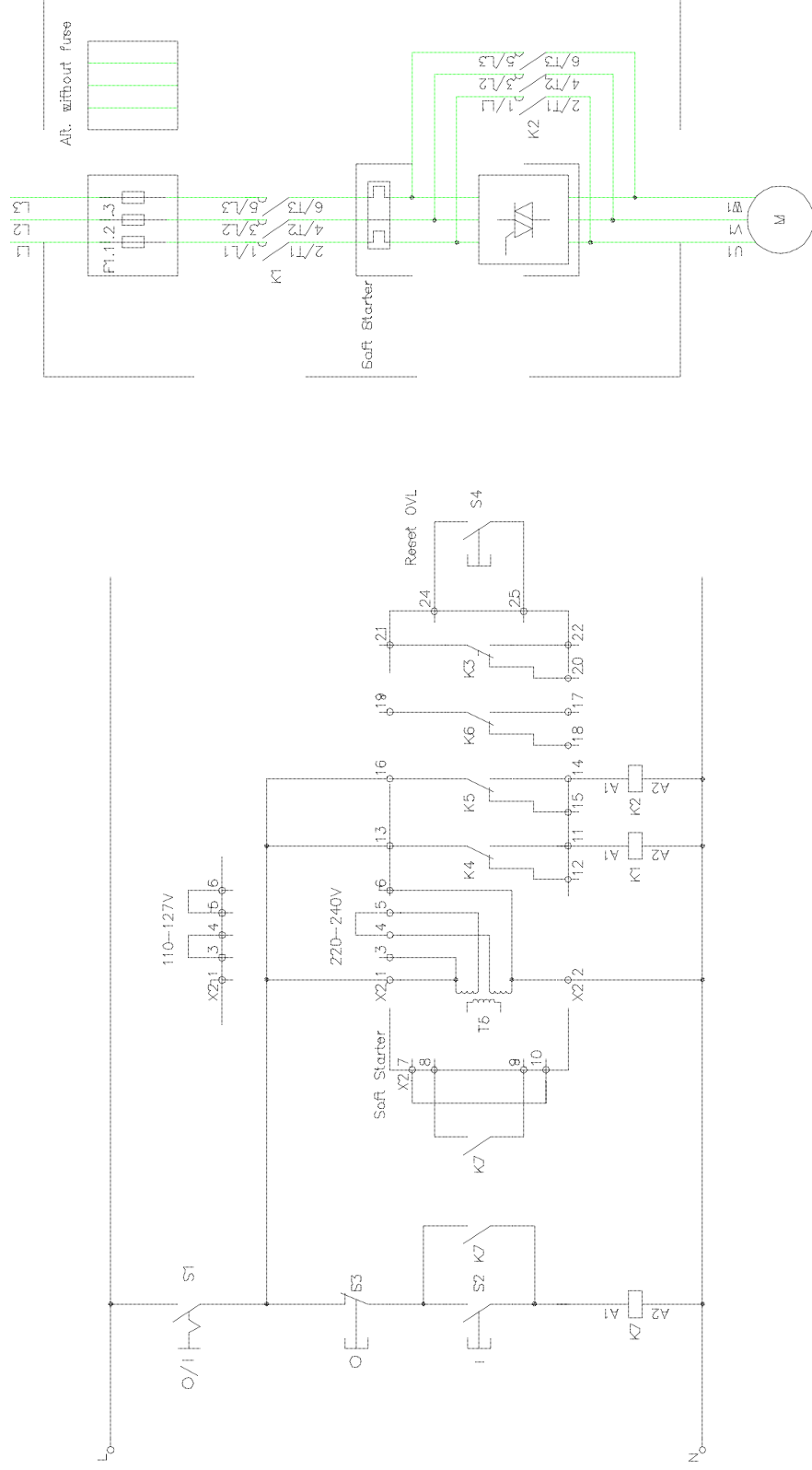
Soft Starter PS D75...145, PS DH30...110 with motor protection, softstop and By-pass.
 Main contactor open during pause



A105-15

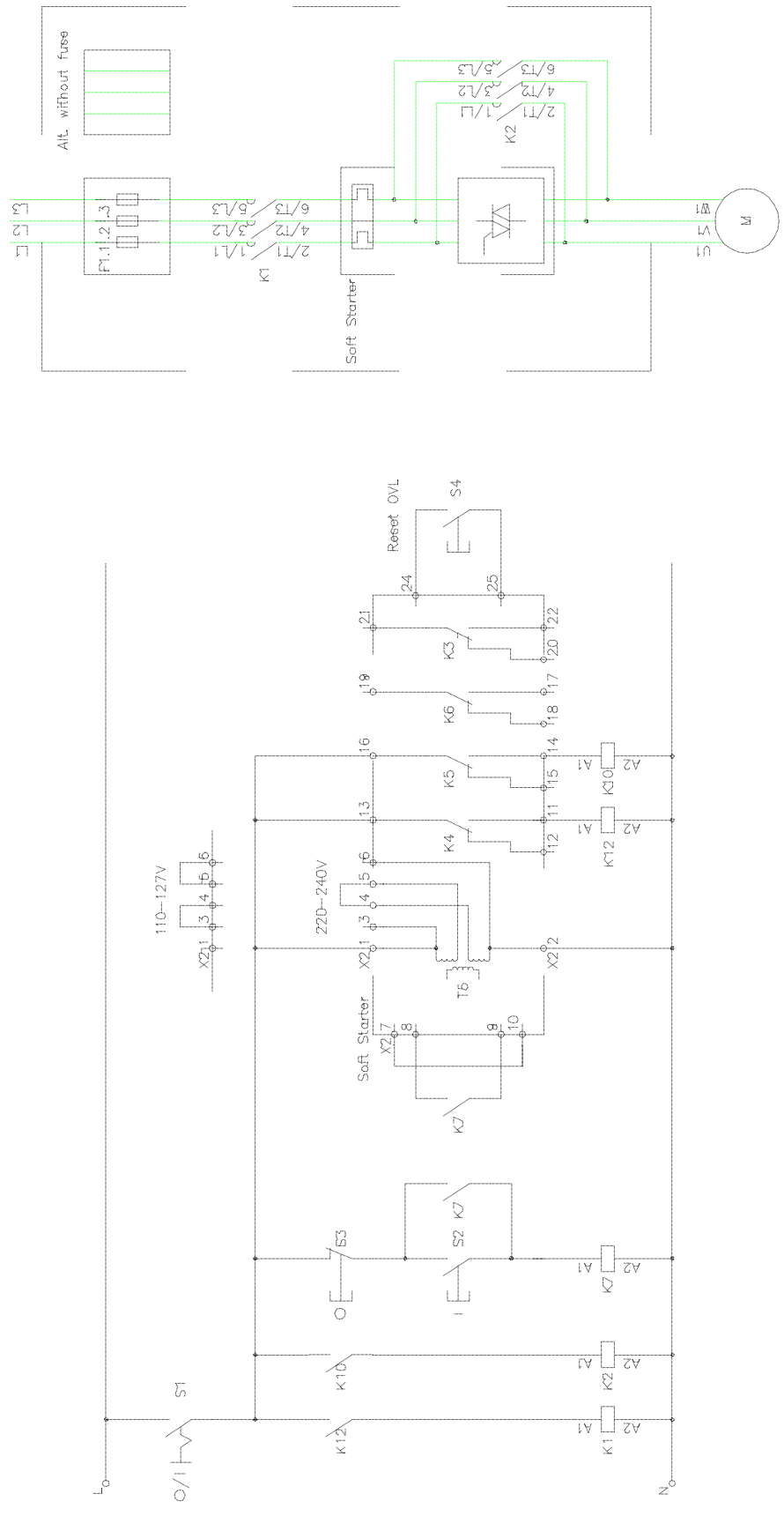
Rev int	Sheet	5366 105-15	Issued	ISSUED	Rev int	Sheet	...
2	K1 and fuses moved		TP	96 40	2	Long Sheet	...
1	Adjusted		TP	96 08	1	Rev int	...
Rev int	Appd	Year	Week		1	Rev int	...
					2	Rev int	...
Design checked by I. Persson				APPLICATION DIAGRAM			
Drawing checked by I. Persson				Soft Starter			
Drawn by TP				Mjukstartare			
				ABB Control			
				Rev By: TP Year: 96 Week: 05			

Soft Starter PS D175...300, PS DH145...250 with motor protection, softstop and By-pass.
 The internal overload relay is working also together with By-pass.
 Main contactor open during pause



Rev int		Sheet	A105-16	
2	F3K8 removed, K12 inserted, fuses moved	TP	96	40
1	Adjusted	TP	96	09
Rev int	Appd	Year	Week	
Design checked by I. Pefrsson		APPLICATION DIAGRAM		
Drawing checked by I. Pefrsson		Soft Starter Mjukstartare		
Drawn by TP		ABB Control		
Iss by Dept		Year	Week	05
ISSUED		5366 105-16		
Rev int	Sheet	Long	Sheet	1
2	2	82	Rev int	Cont.

Soft Starter PS D370...840, PS DH300...720 with motor protection, softstop and By-pass.
 The internal overload relay is working also together with By-pass.
 Main contactor open during pause



AJ05-17
 Rev. no. Sheet

Long Sheet 1
 Rev. no. Cont. 2

5366 105-17

Issued by: ISSUED
 Date: 05.06.96

ABB Control
 APPLICATION DIAGRAM
 Soft Starter
 Mikstartare

Design checked by: I. Persson
 Drawing checked by: I. Persson
 Drawn by: TP

TP	96	40
TP	96	09
Appd.	Year	Week

2	K12 Insert and fuses moved
1	Adjusted

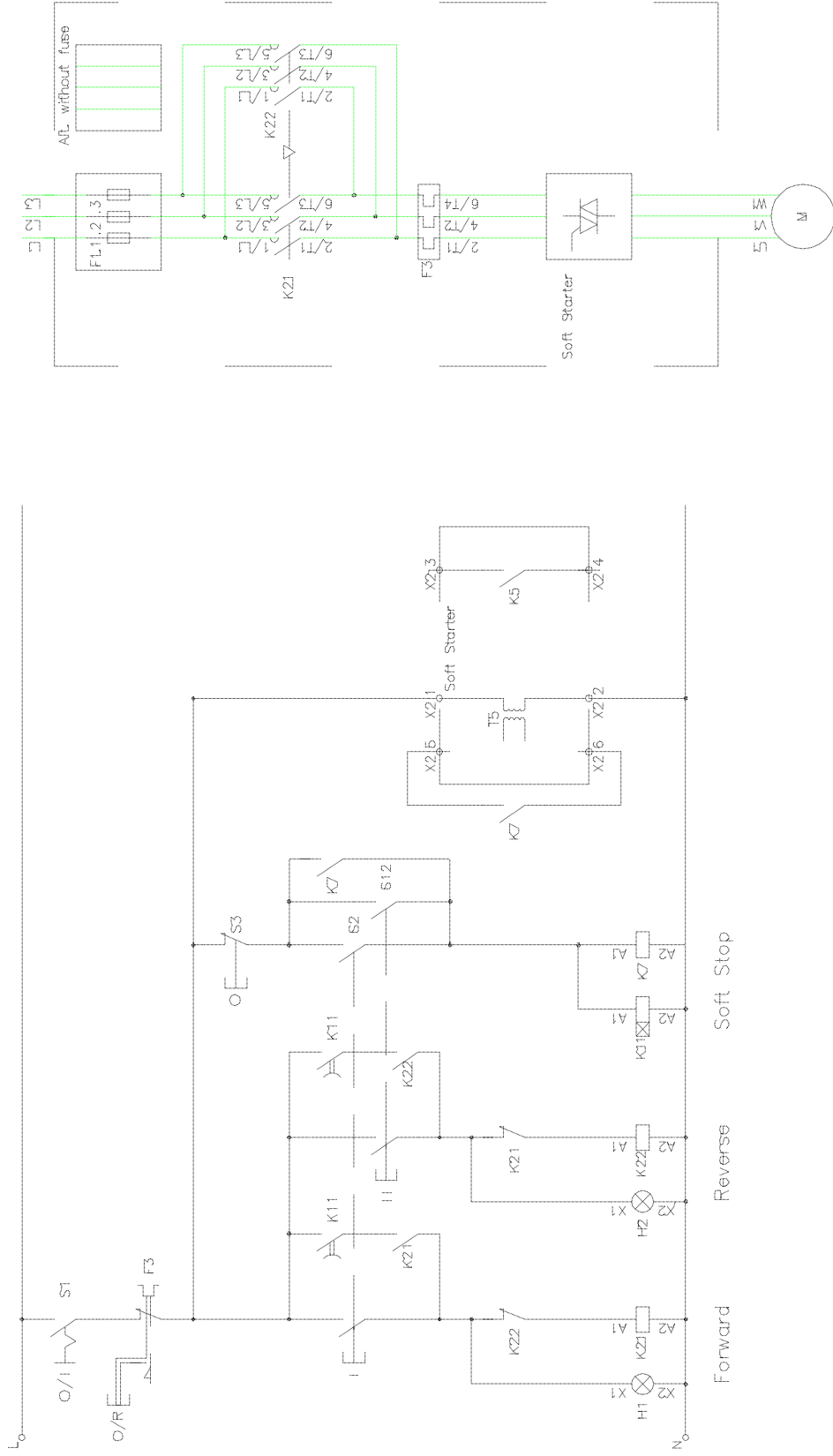
Rev. no.	2
----------	---

Soft Starter PS A18...60 with reversing and softstop.

To be stopped before reversing.

Start at optional direction.

If softstop is not needed set the time for softstop to 0.5.



A105-18

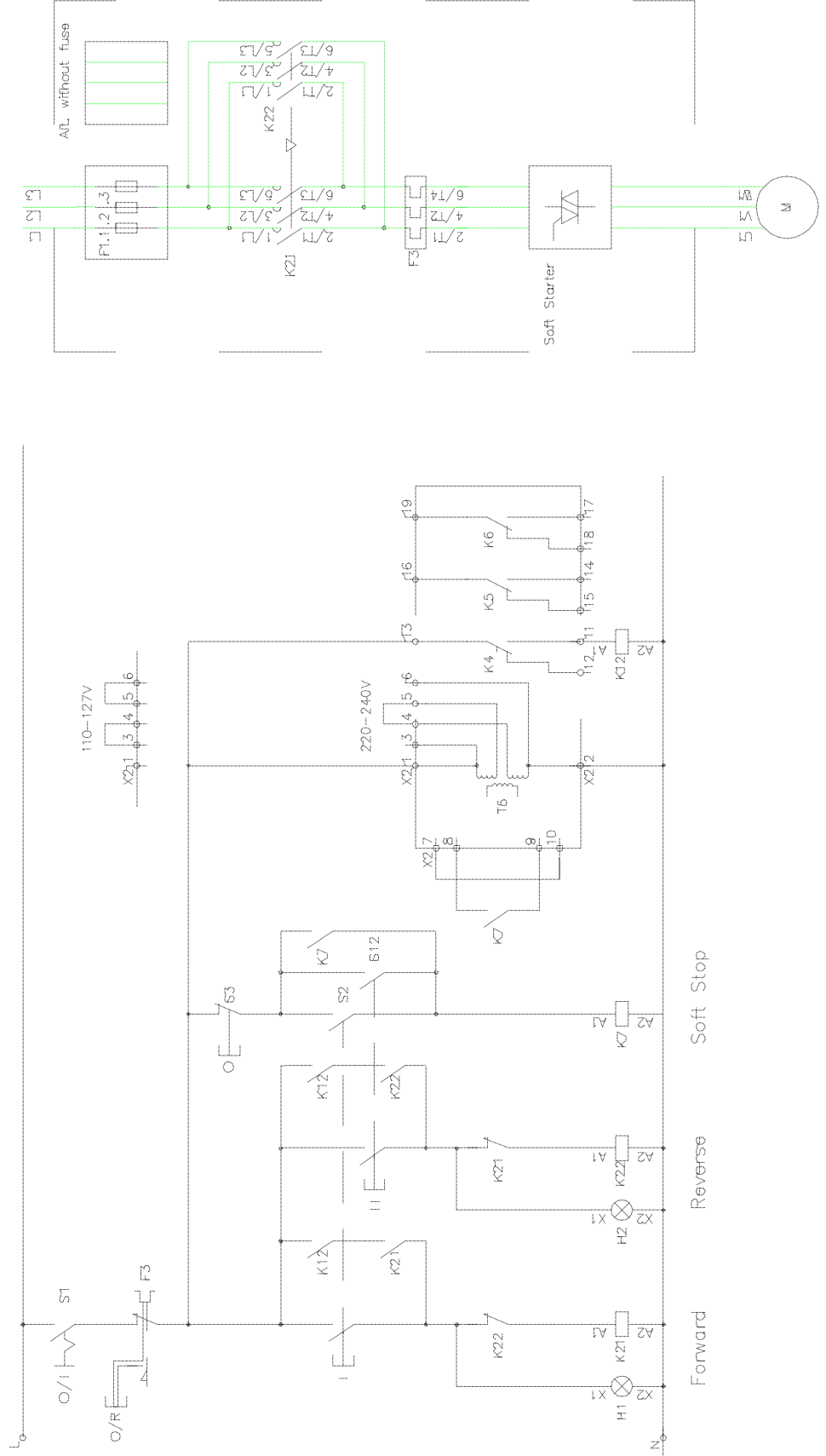
2		Revised	TP	96	42	APPL	Year	Issue	5366	105-18	ISSUED	2	...				
1		Adjusted	TP	96	10												
Rev. no.					SECUR/80		06	05									
APPLICATION DIAGRAM										Soft Starter				Mjakstartare			
I Persson										I Persson				I Persson			
TP										TP				TP			

Soft Starter PS D75...300 with reversing and softstop.

To be stopped before reversing.

Start at optional direction.

If softstop is not needed set the time for softstop to 0.5.



A105-19

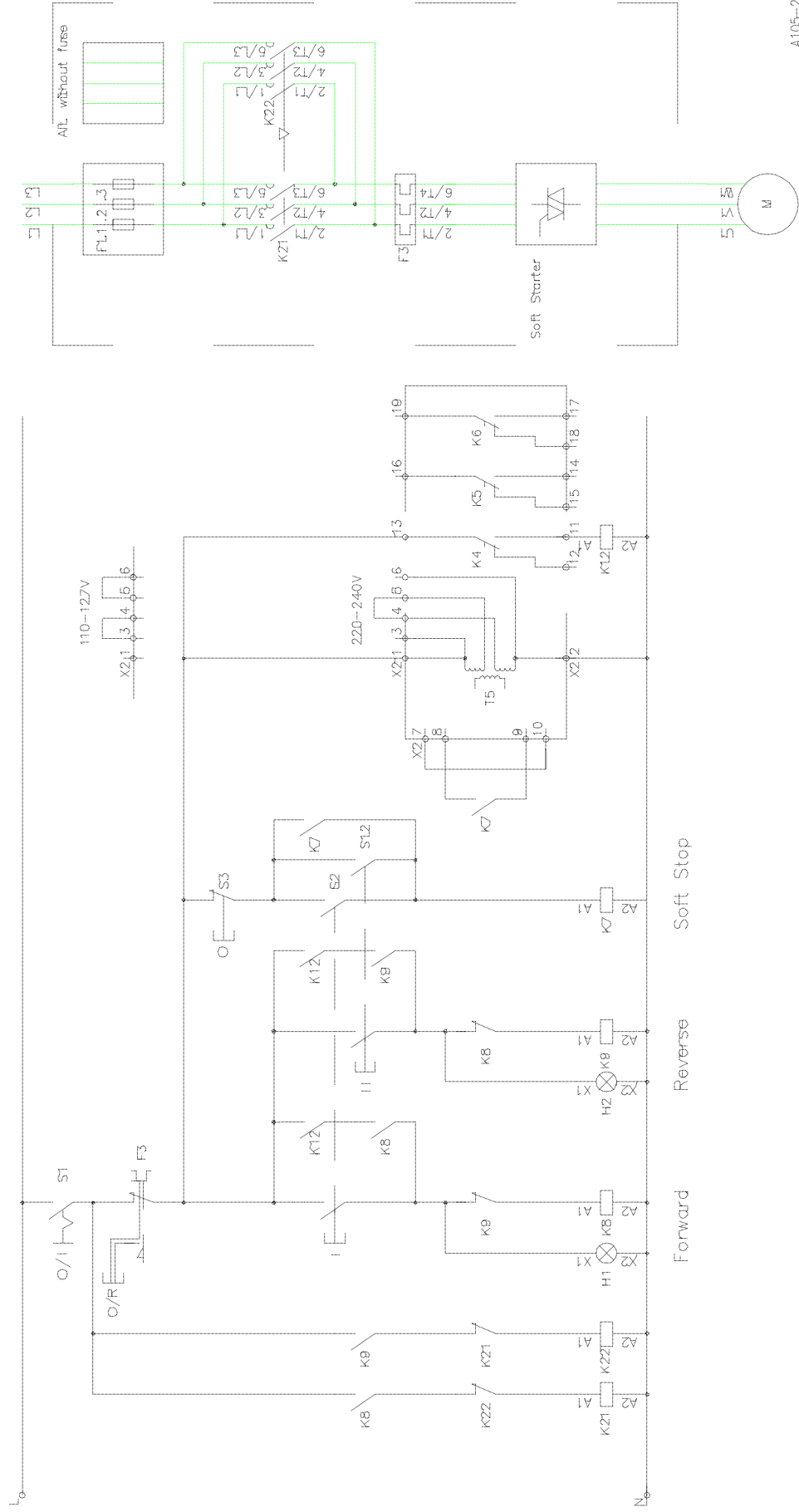
APPLICATION DIAGRAM		Soft Starter		Mjakstartare	
I Perissou		I Perissou		IP	
1	Redrawn	TP	86	42	
Rev. int.		Appt.	Year	Week	
5366 105-19			SECUR/80	06	05
ISSUED			1	82	1

Soft Starter PS D370...840 with reversing and softstop.

To be stopped before reversing.

Start at optional direction.

If softstop is not needed set the time for softstop to 0.5.



A105-20

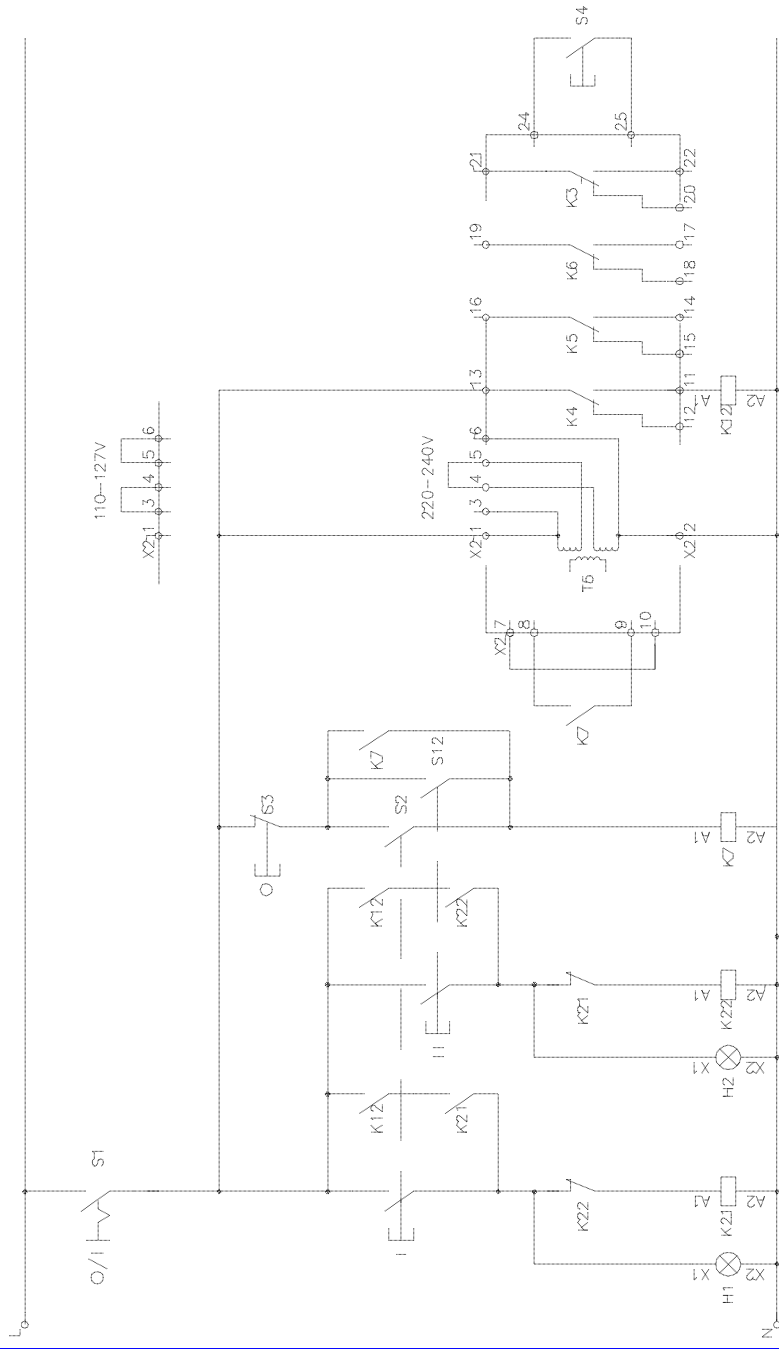
Rev. no.	1	Appd.	86	42	Year	1986
1	Redrawing	TP	86	42	Year	1986
Design checked by I. Persson Drawing checked by I. Persson Drawn by TP						
APPLICATION DIAGRAM Soft Starter Mjaktstartare						
ABB Control						
Issued by: STORL/BG 05 05						
5366	105-20					
Rev. no.	1	Rev. no.	1	Sheet	82	Long Sheet

Soft Starter PS D75...840, PS DH30...720 with reversing and softstop.

To be stopped before reversing.

Start at optional direction.

If softstop is not needed set the time for softstop to 0.5.

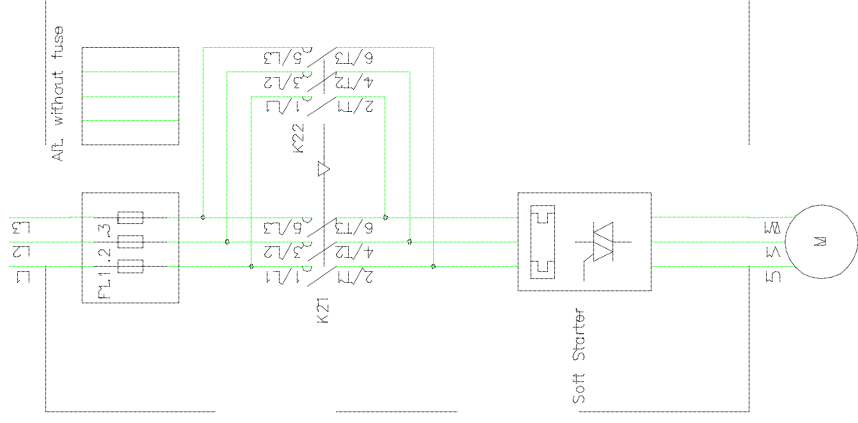


Reset OVL

Soft Stop

Reverse

Forward



A105-21

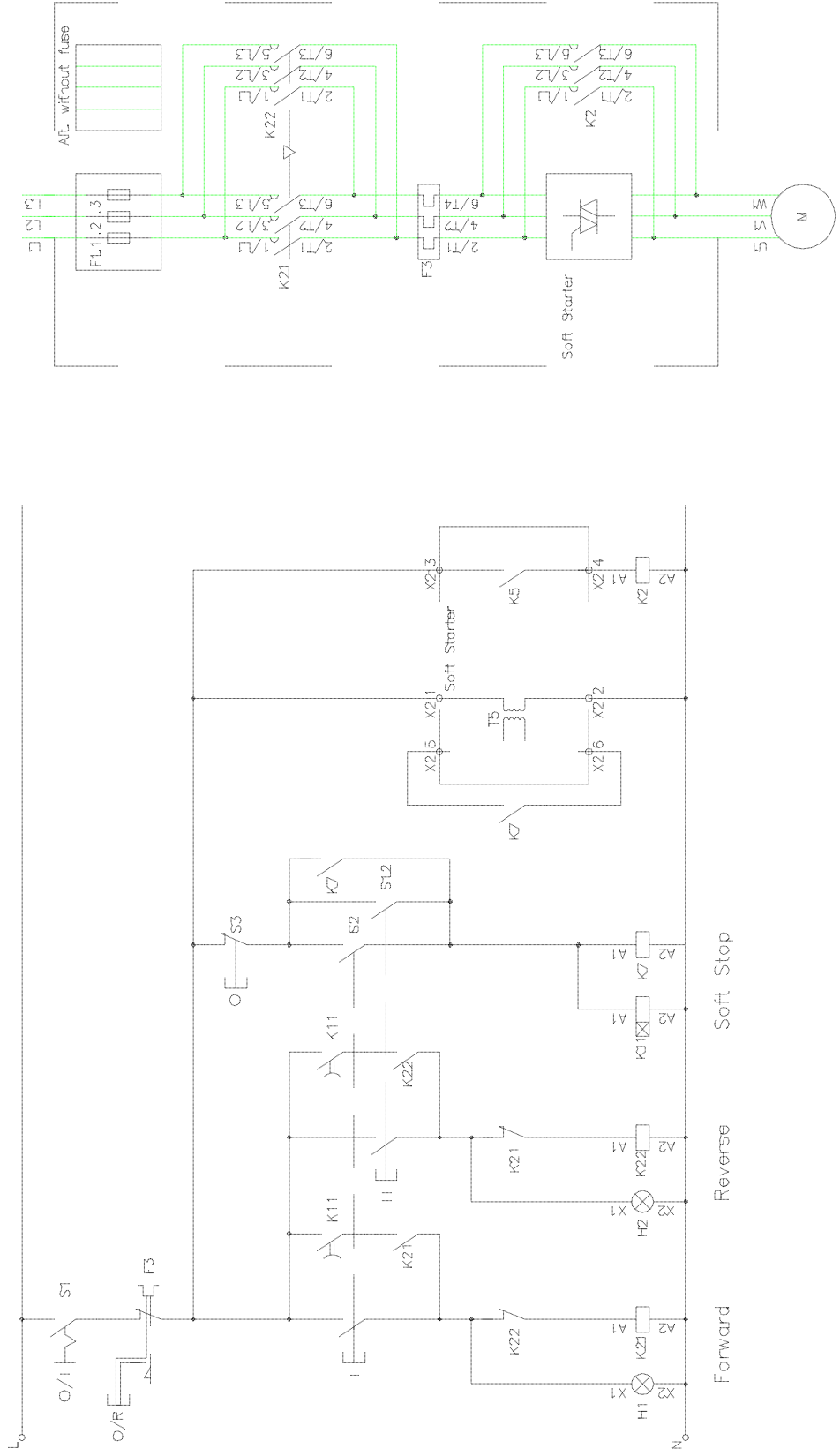
I Persson		APPLICATION DIAGRAM		82		1	
I Persson		Soft Starter		5366 105-21		1	
TP		Mjukstartare		ISSUED		1	
1 Redrawn		Appd		Yor		100k	
Rev int		TP		96 42		1	
		SECUR/80		06 05		1	

Soft Starter PS A18...60 with reversing, By-pass and softstop.

To be stopped before reversing.

Start at optional direction.

If softstop is not needed set the time for softstop to 0.5.



A105-22

APPLICATION DIAGRAM

Soft Starter
Mjakstartare

T Perisson

T Perisson

TP

5366 105-22

ISSUED

SECUR/80 06 05

82

1

2

...

TP 96 42

TP 96 10

Appt Year Week

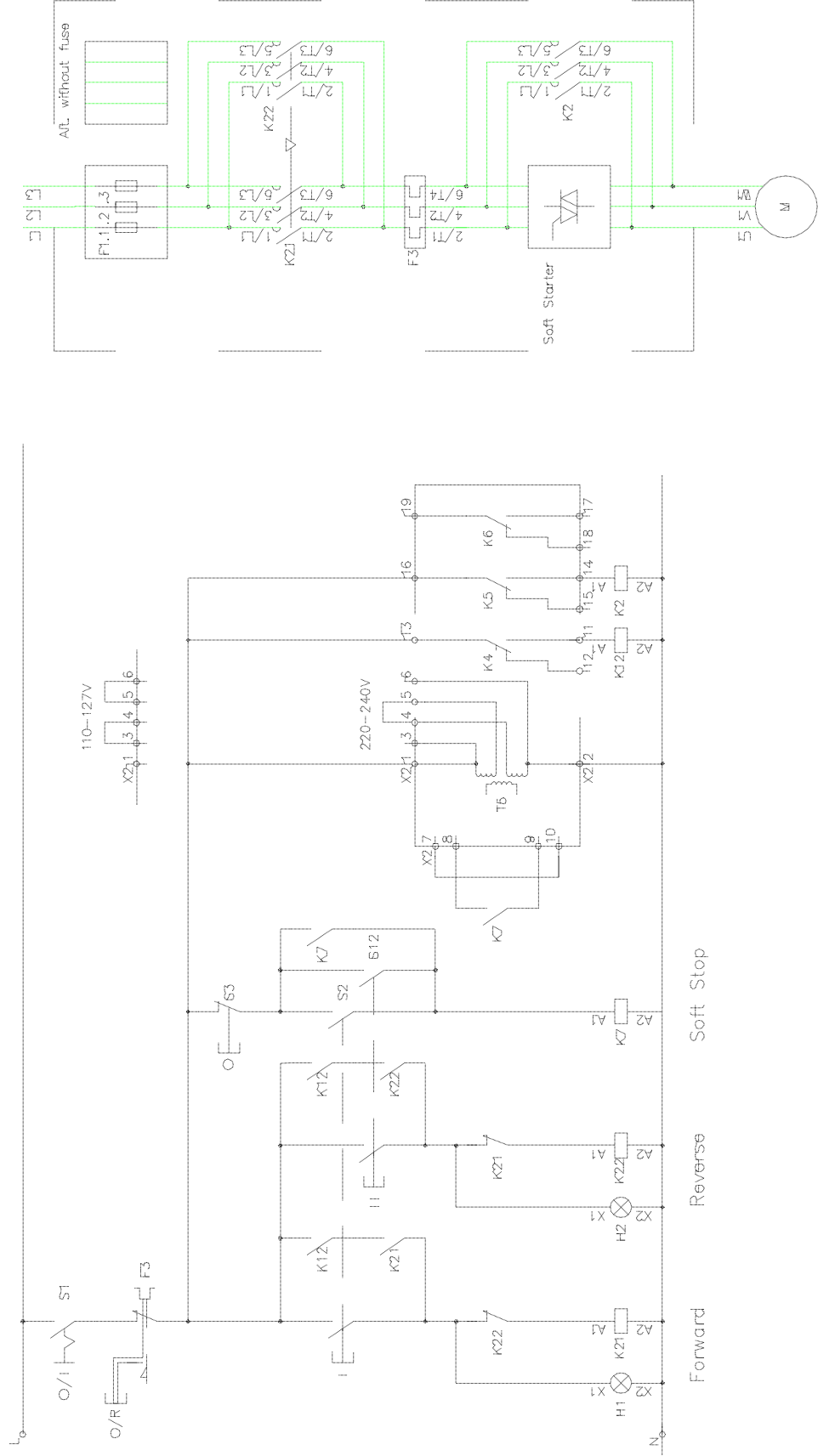
2

1

Adjusted

Rev int

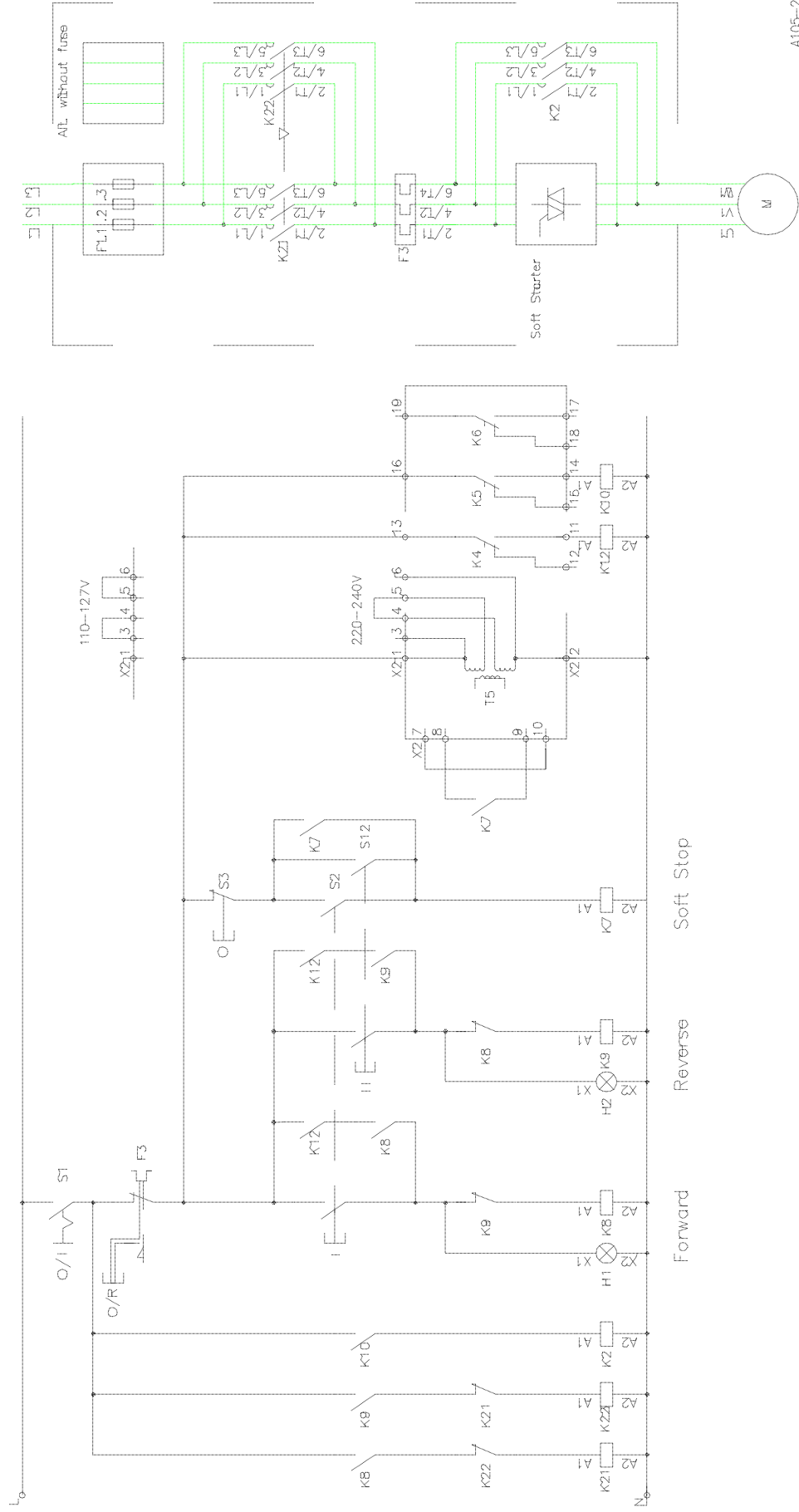
Soft Starter PS D75...300 with reversing, By-pass and softstop.
 To be stopped before reversing.
 Start at optional direction.
 If softstop is not needed set the time for softstop to 0.5.



AJ05-23

APPLICATION DIAGRAM		Soft Starter		Mjakstartare	
I Perissaa		I Perissaa		TP	
1		Revised		TP 96 42	
Rev int		Appt		Year	
5366 105-23		SECUR/80 06 05		ISSUED	
82		1		...	

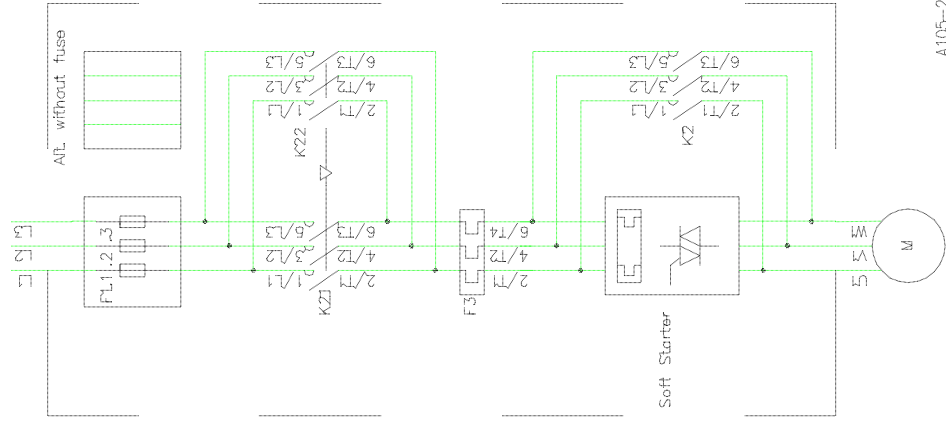
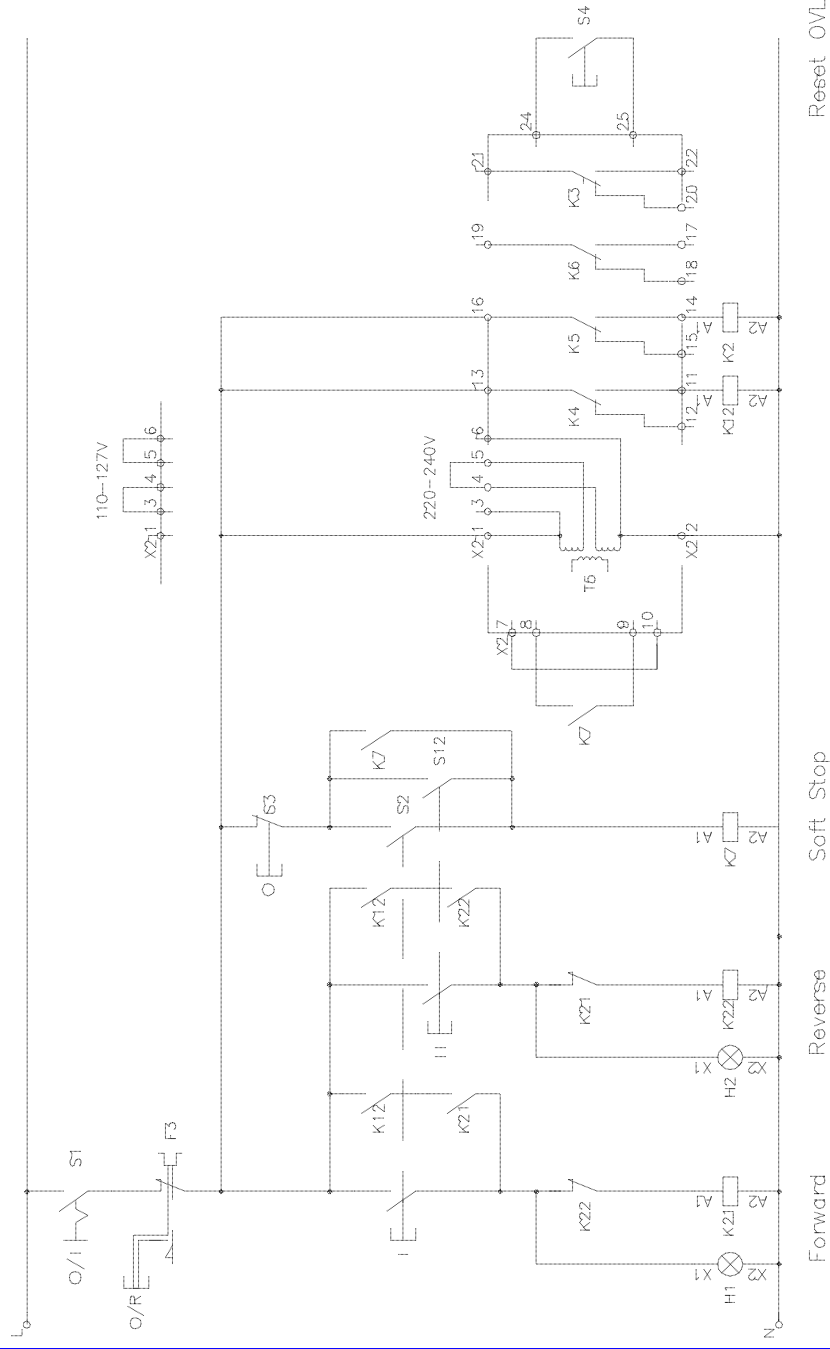
Soft Starter PS D370...840 with reversing, By-pass and softstop.
 To be stopped before reversing.
 Start at optional direction.
 If softstop is not needed set the time for softstop to 0.5.



A105-24

1	Redrawn	TP	86	42	Appd	Year	Week	
I Persson I Persson TP								
APPLICATION DIAGRAM Soft Starter Mjukstartare								
SECUR/80 06 05							ISSUED	
5366 105-24							82	1
							1	...

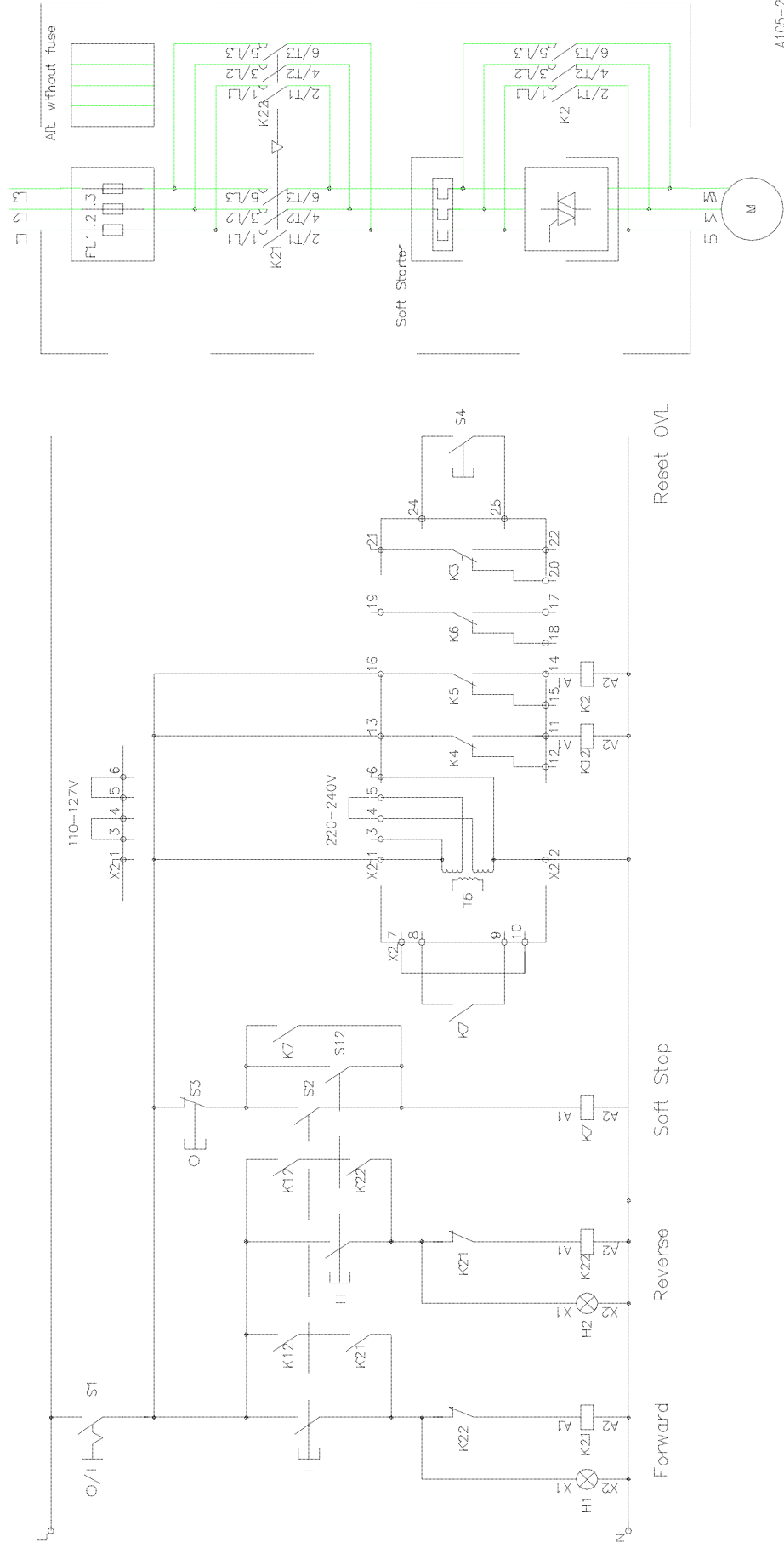
Soft Starter PS D75...145, PS DH30...110 with reversing, By-pass and softstop.
 To be stopped before reversing.
 Start at optional direction.
 If softstop is not needed set the time for softstop to 0.5.



AJ05-26

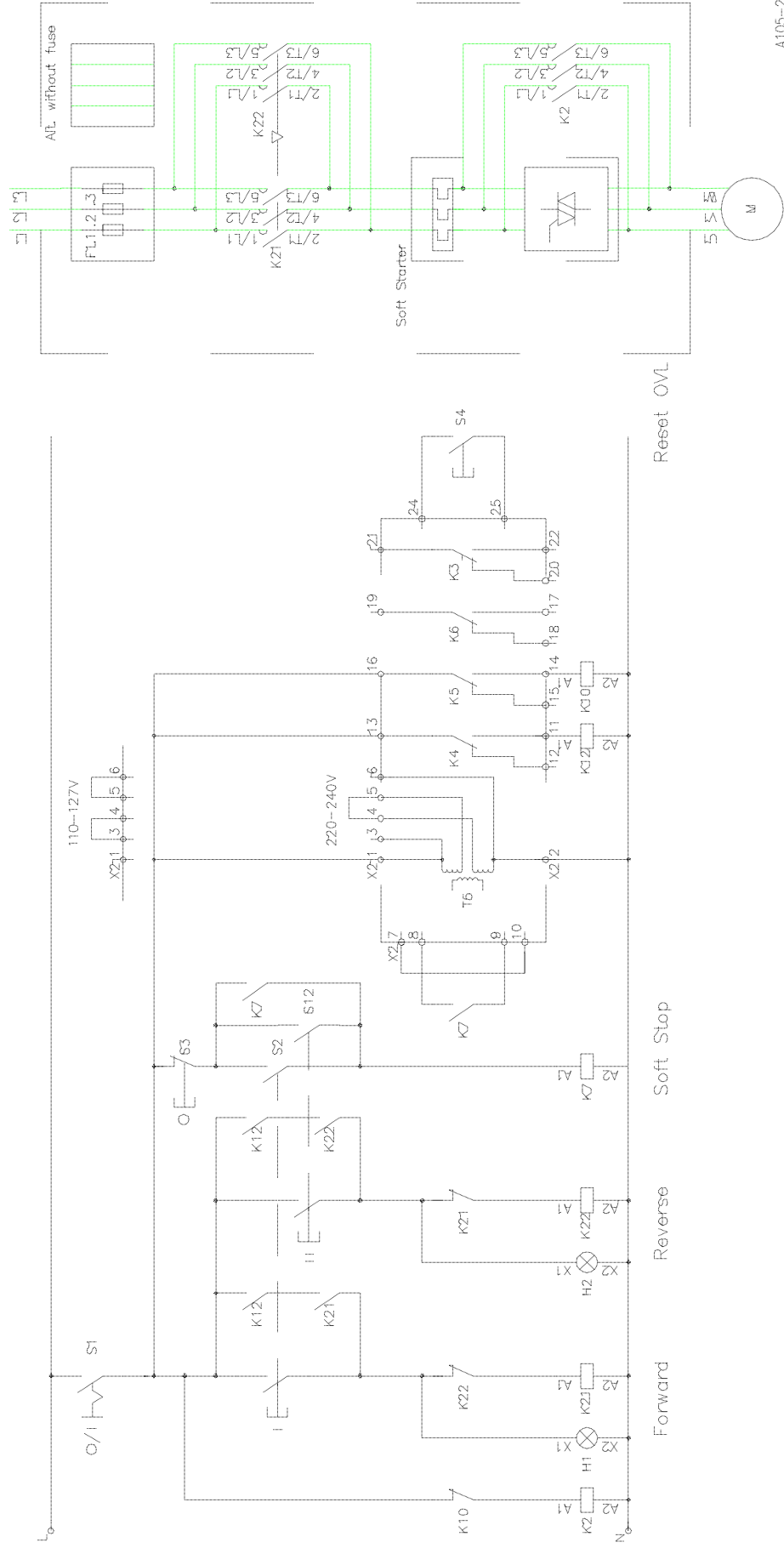
1		Redrawn	TP	96	42	Appd	Yor	Ibssk	SECUR/80 06 05		ISSUED	5366 105-25		82	1
Rev int															
APPLICATION DIAGRAM										Soft Starter		Mjakstartare			
I Perissos															
I Perissos															
TP															

Soft Starter PS D175...300, PS DH145...250 with reversing, By-pass and softstop.
 To be stopped before reversing.
 Start at optional direction.
 If softstop is not needed set the time for softstop to 0.5.
 The internal overload relay is working also together with By-pass.



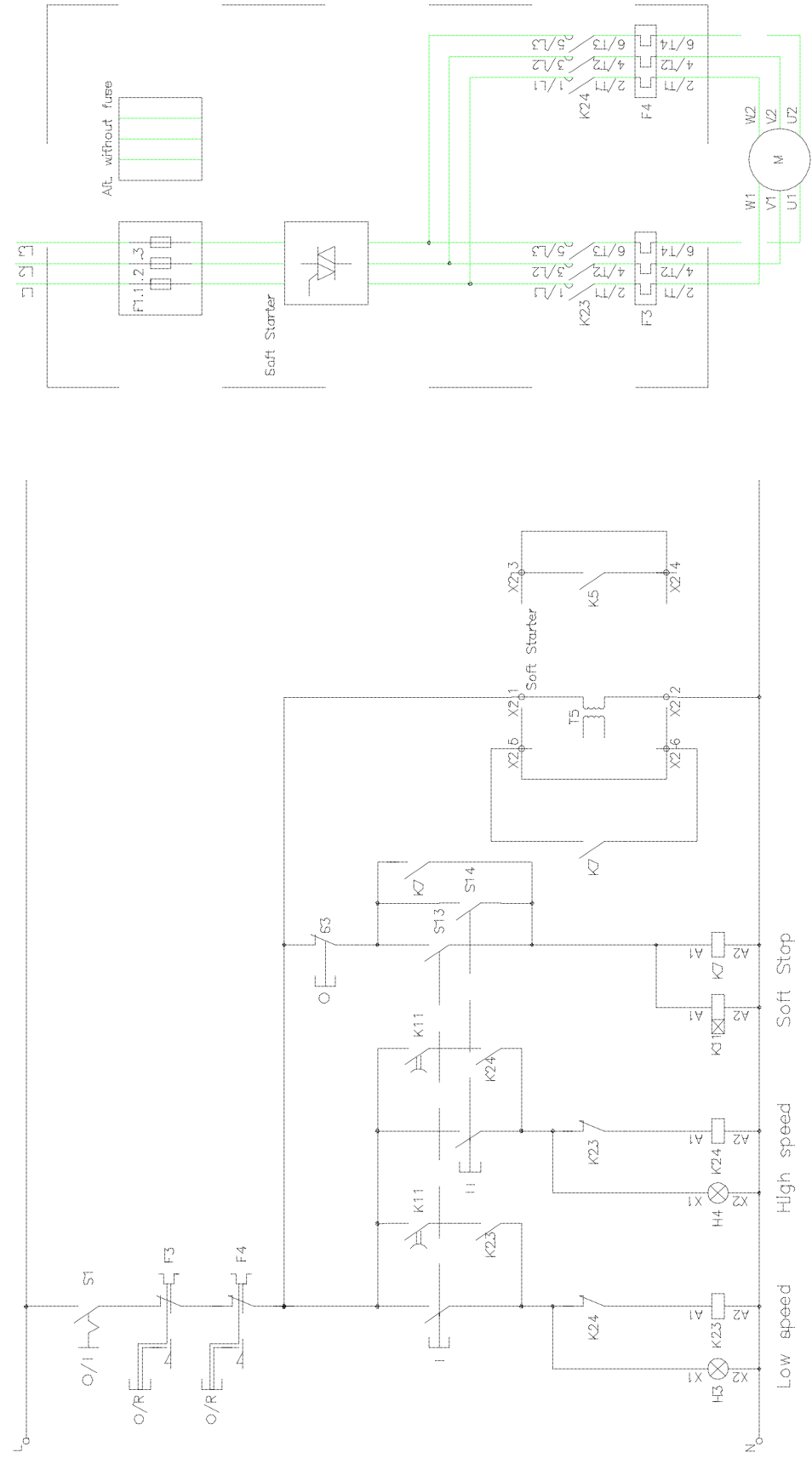
1		Redrawn	TP	96	42	Appl	Year	Week	SECUR/80	06	05	ISSUED	5366 105-26		82	1
1													1	...		

Soft Starter PS D370...840, PS DH300...720 with reversing, By-pass and softstop.
 To be stopped before reversing.
 Start at optional direction.
 If softstop is not needed set the time for softstop to 0.5.
 The internal overload relay is working also together with By-pass.



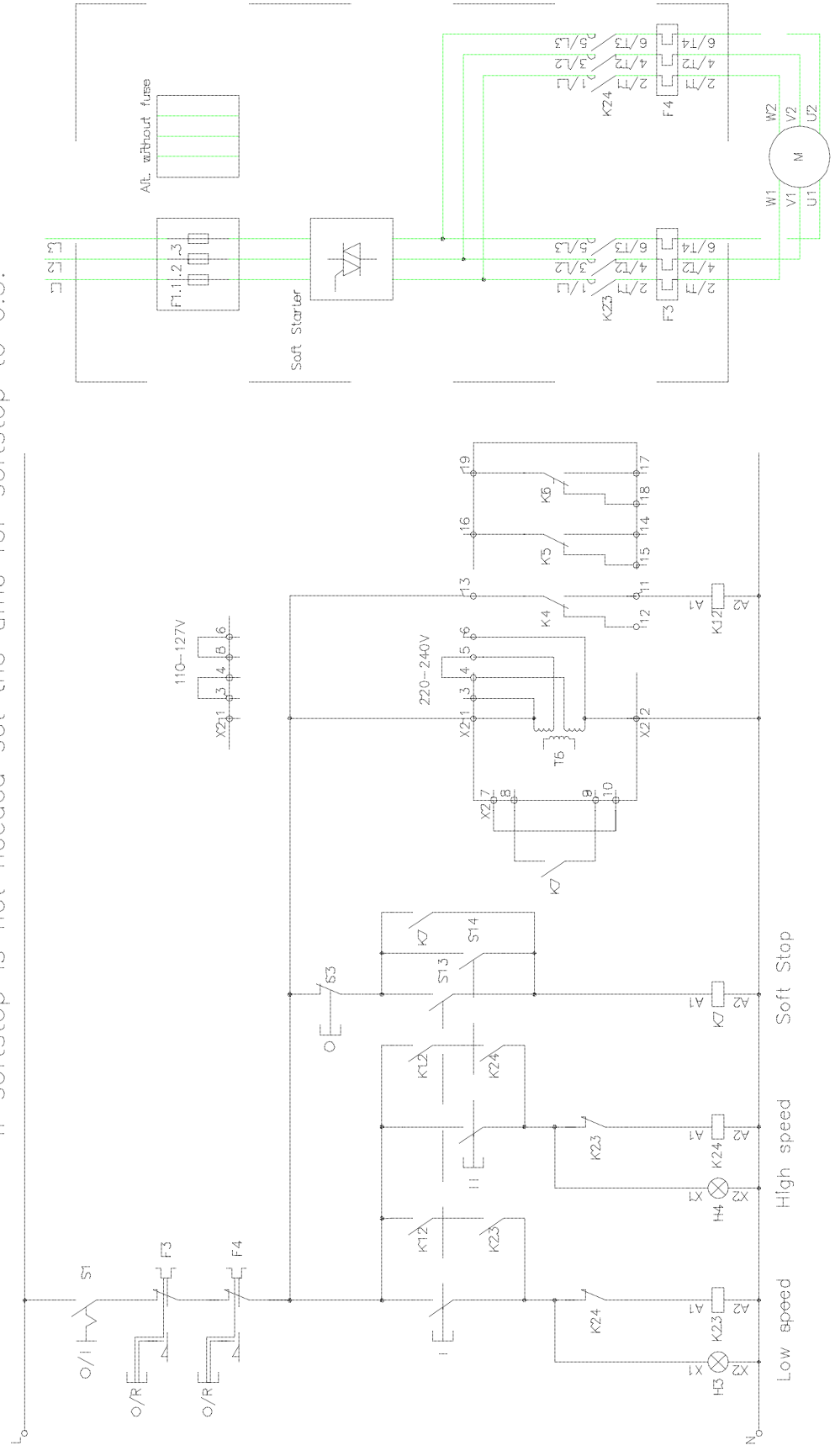
1		Redrawn	TP	96	42	Appd	Year	Issue	SECUR/80 06 05	ISSUED	5366 105-27	82	1	...
1		Appd	Year	Issue										

Soft Starter PS A18...60 with pole-changing and softstop.
 To be stopped before change of speed.
 Start at optional speed.
 For motor with two winding.
 If softstop is not needed set the time for softstop to 0.5.



Rev. no.	Appt.	Year	Week	ISSUED	5366 105-28	Rev. no.	Sheet	Cont.
							82	1
								...
Design checked by I. Pajrsson				APPLICATION DIAGRAM Soft Starter Mjukstartare		Rev. no. Sheet Cont. 82 1 ...		
Drawing checked by I. Pajrsson				ABB Control		Rev. no. Sheet Cont. 82 1 ...		
Drawn by TP				ABB		Rev. no. Sheet Cont. 82 1 ...		
Checked by TP				ABB		Rev. no. Sheet Cont. 82 1 ...		
Design checked by I. Pajrsson				ABB Control		Rev. no. Sheet Cont. 82 1 ...		
Drawing checked by I. Pajrsson				ABB Control		Rev. no. Sheet Cont. 82 1 ...		
Drawn by TP				ABB Control		Rev. no. Sheet Cont. 82 1 ...		
Checked by TP				ABB Control		Rev. no. Sheet Cont. 82 1 ...		

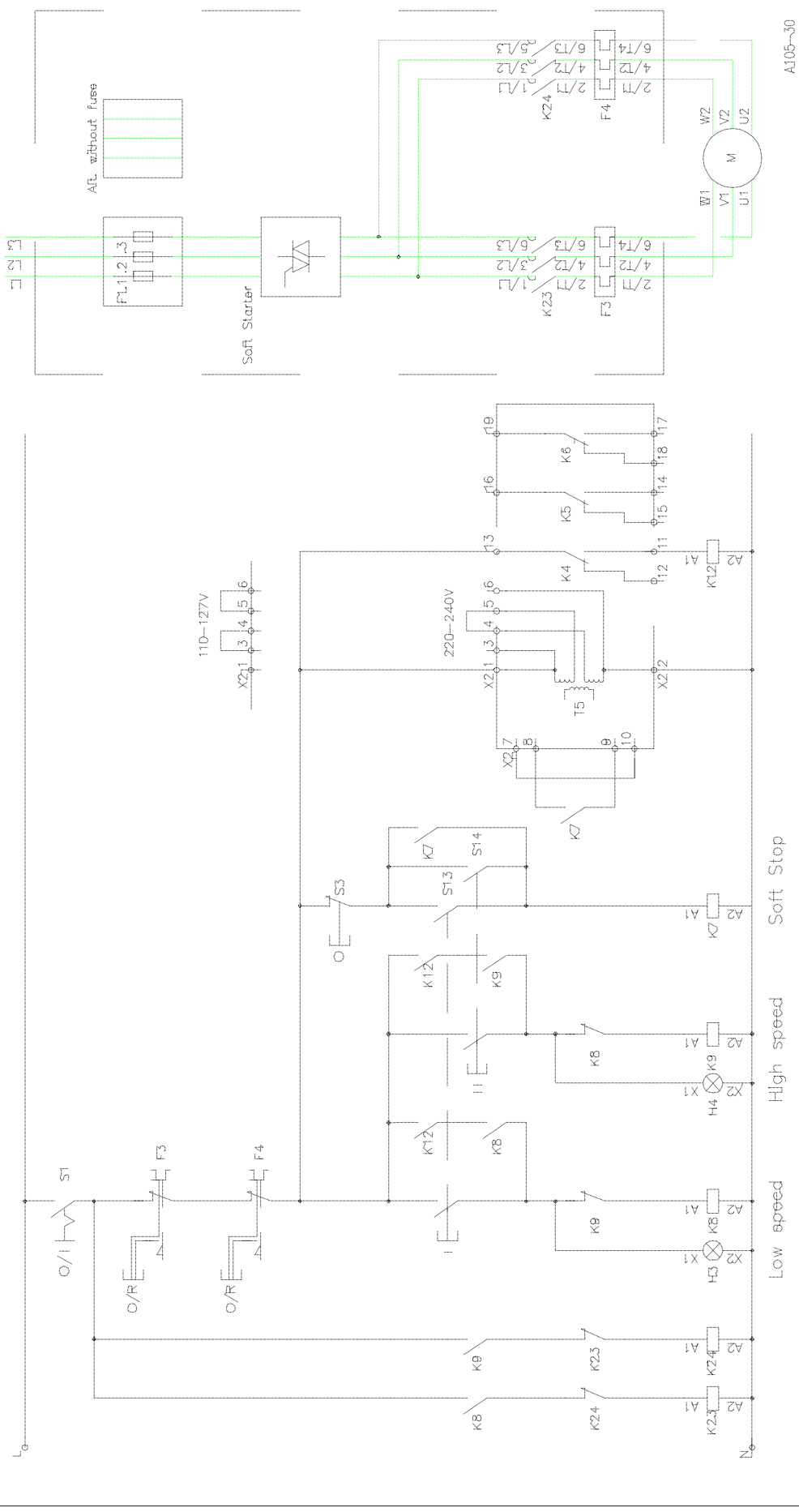
Soft Starter PS D75...300 with pole-changing and softstop.
 To be stopped before change of speed.
 Start at optional speed.
 For motor with two winding.
 If softstop is not needed set the time for softstop to 0.5.



A105-29

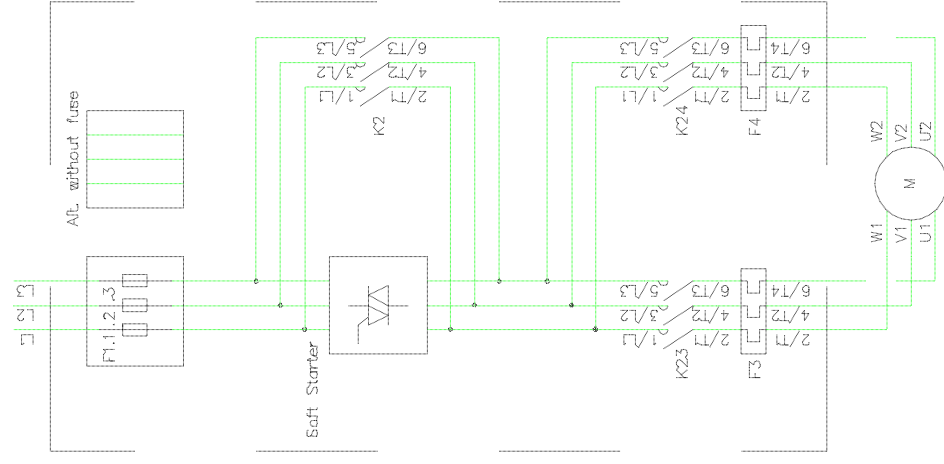
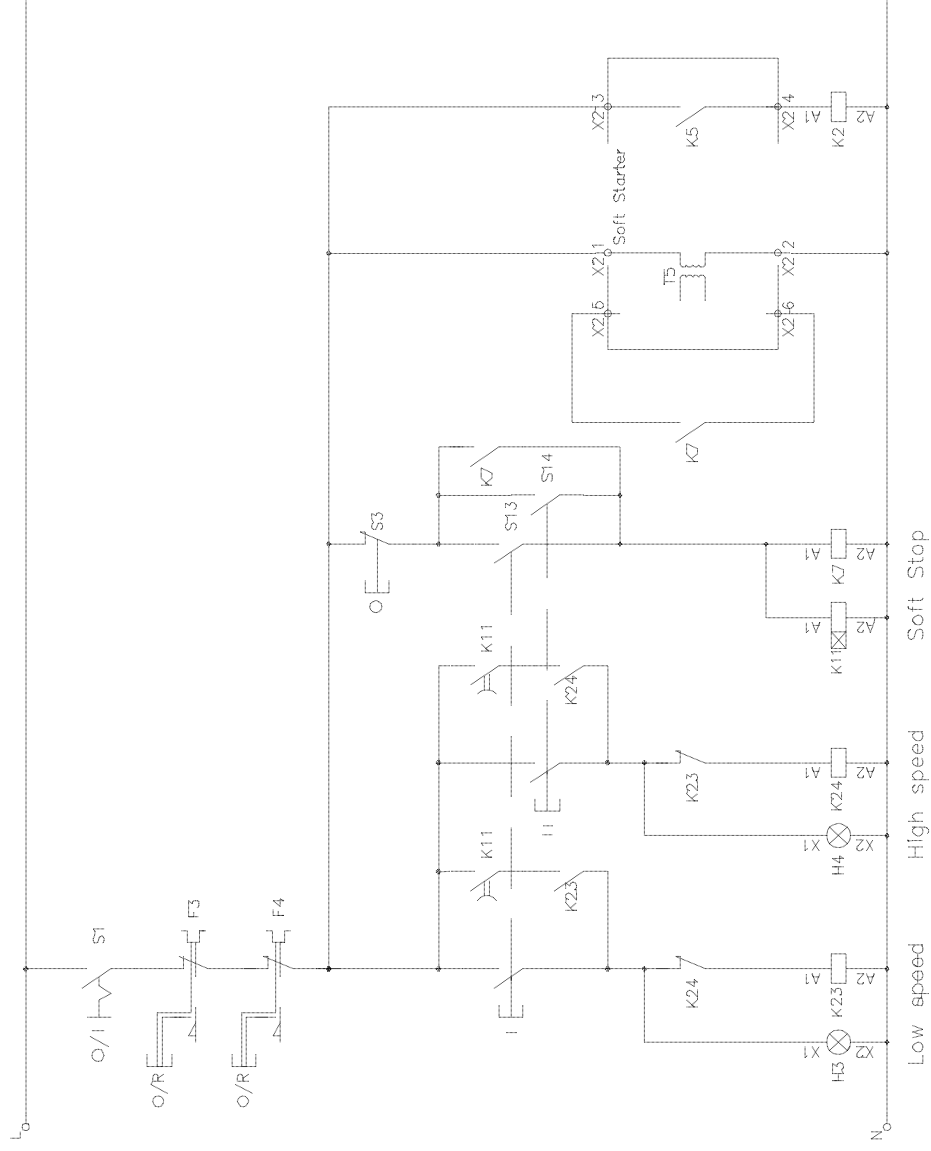
Rev. no.	Sheet	Rev. no.	Sheet
5366	105-29	ISSUED	...
Des. by	APP. CONTROL	Des. by	APP. CONTROL
Checked by	ABB	Checked by	ABB
Drawn by	ABB	Drawn by	ABB
Exec. by	ABB	Exec. by	ABB
Year	2006	Year	2006
Week	42	Week	42

Soft Starter PS D370...840 with pole-changing and softstop.
 To be stopped before change of speed.
 Start at optional speed.
 For motor with two winding.
 If softstop is not needed set the time for softstop to 0.5.



I Perissos		APPLICATION DIAGRAM		SECUR/80 06 42		ISSUED		82		1	
I Perissos		Soft Starter						5366		105-30	
IP		Mjakstartare									
Rev	ver	Appl	Year	Issue							

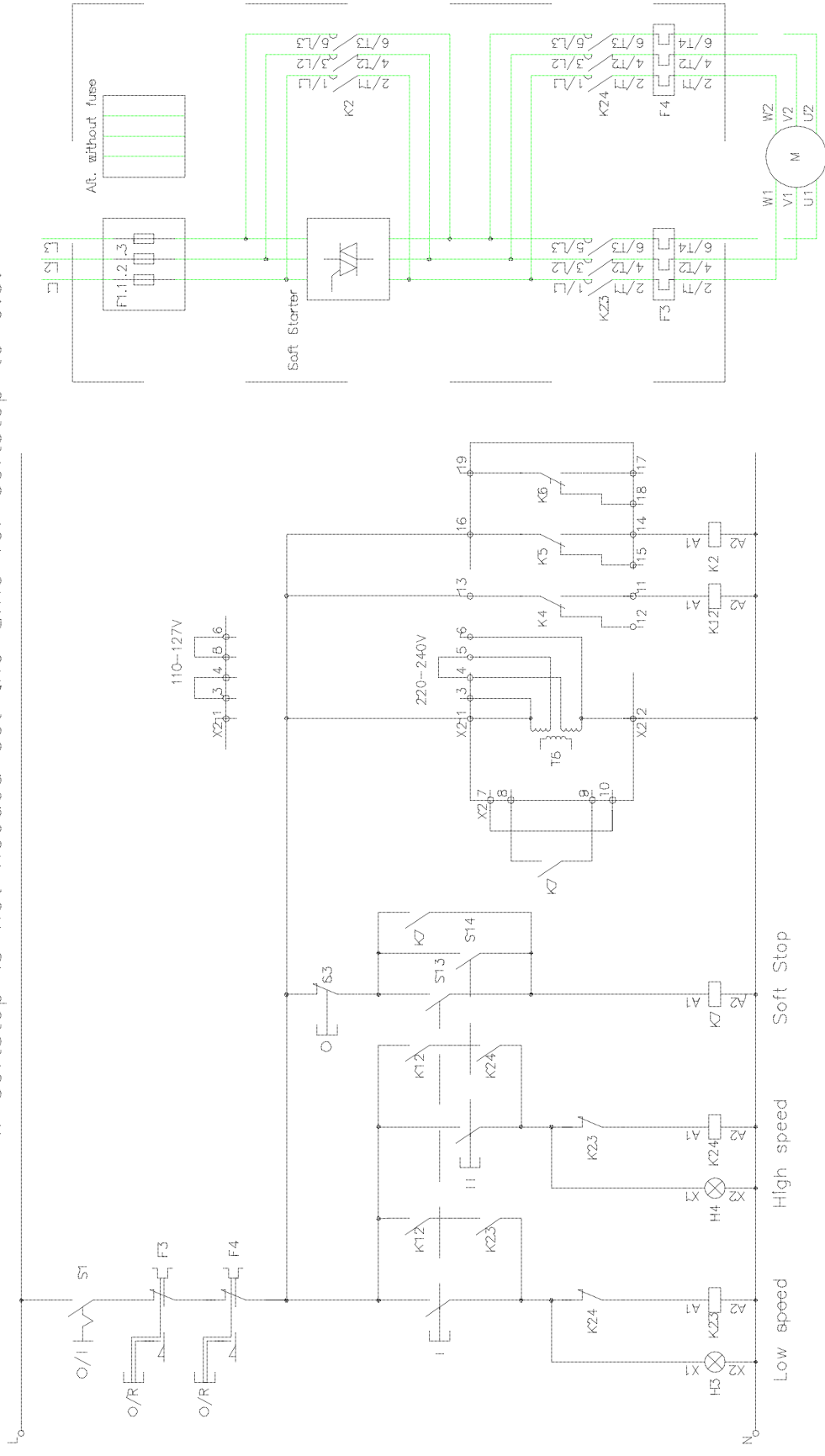
Soft Starter PS A18...60 with pole-changing, By-pass and softstop.
 To be stopped before change of speed.
 Start at optional speed.
 For motor with two winding.
 If softstop is not needed set the time for softstop to 0.5.



A105-31

Rev. int.	Appl.	Year	Week	APPLICATION DIAGRAM Soft Starter Mjukstartare		SECUR/80 06 42	ISSUED	5366 105-31	82	1	---
-----------	-------	------	------	---	--	----------------	--------	-------------	----	---	-----

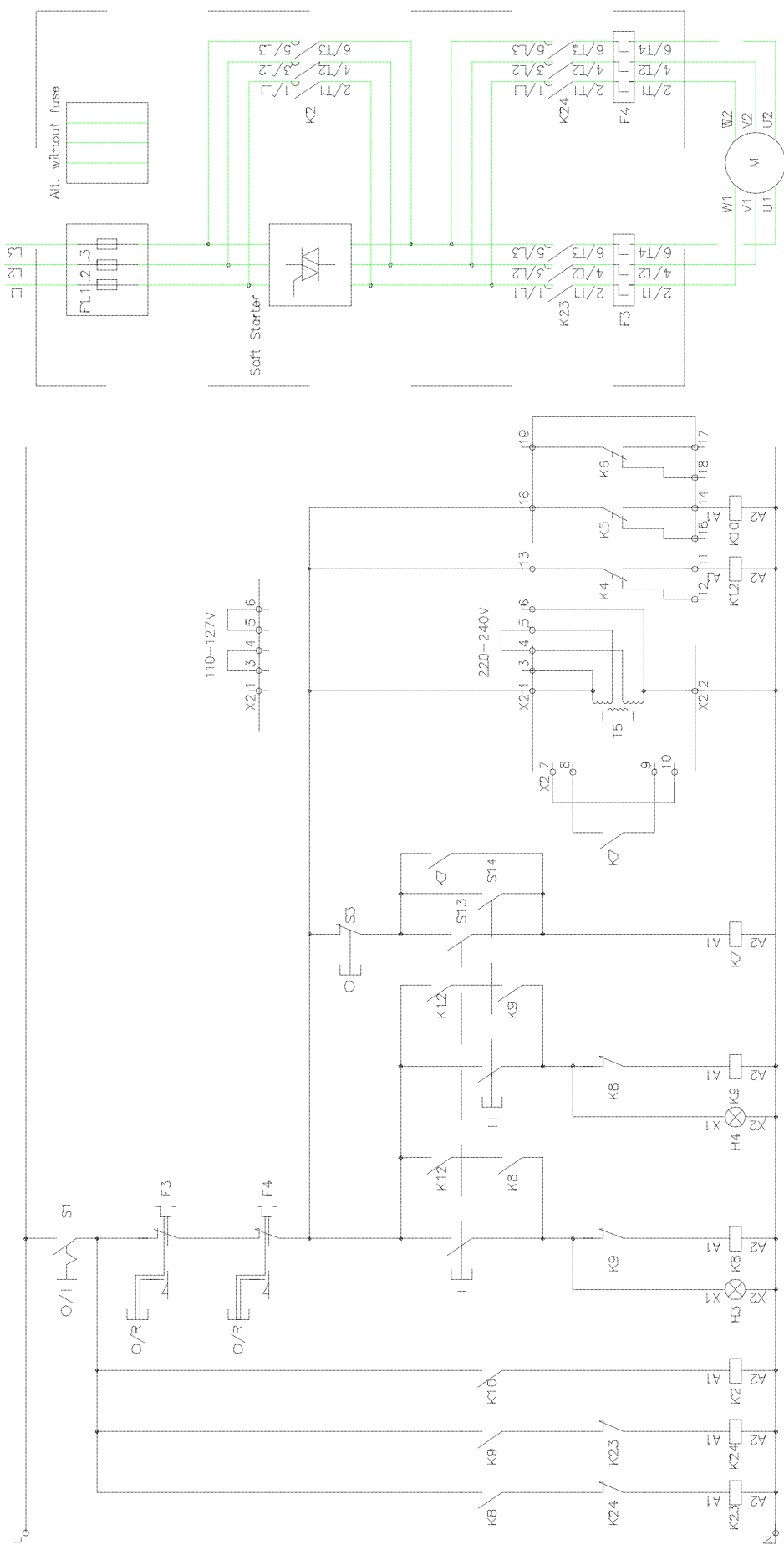
Soft Starter PS D75...300 with pole-changing, By-pass and softstop.
 To be stopped before change of speed.
 Start at optional speed.
 For motor with two winding.
 If softstop is not needed set the time for softstop to 0.5.



A105-32

Rev. no.	Sheet	Rev. no.	Sheet
Appd.	Year	Issued	Cont.
Design checked by I. Pefrsson		APPLICATION DIAGRAM	
Drawing checked by I. Pefrsson		Soft Starter	
Drawn by I.P.		Mjukstartare	
		ABB Control	
		des. by Dept. Year Week	
		SECUR/80 06 42	
		5366 105-32	
		Long Sheet 1	
		Rev. no. Cont. ...	

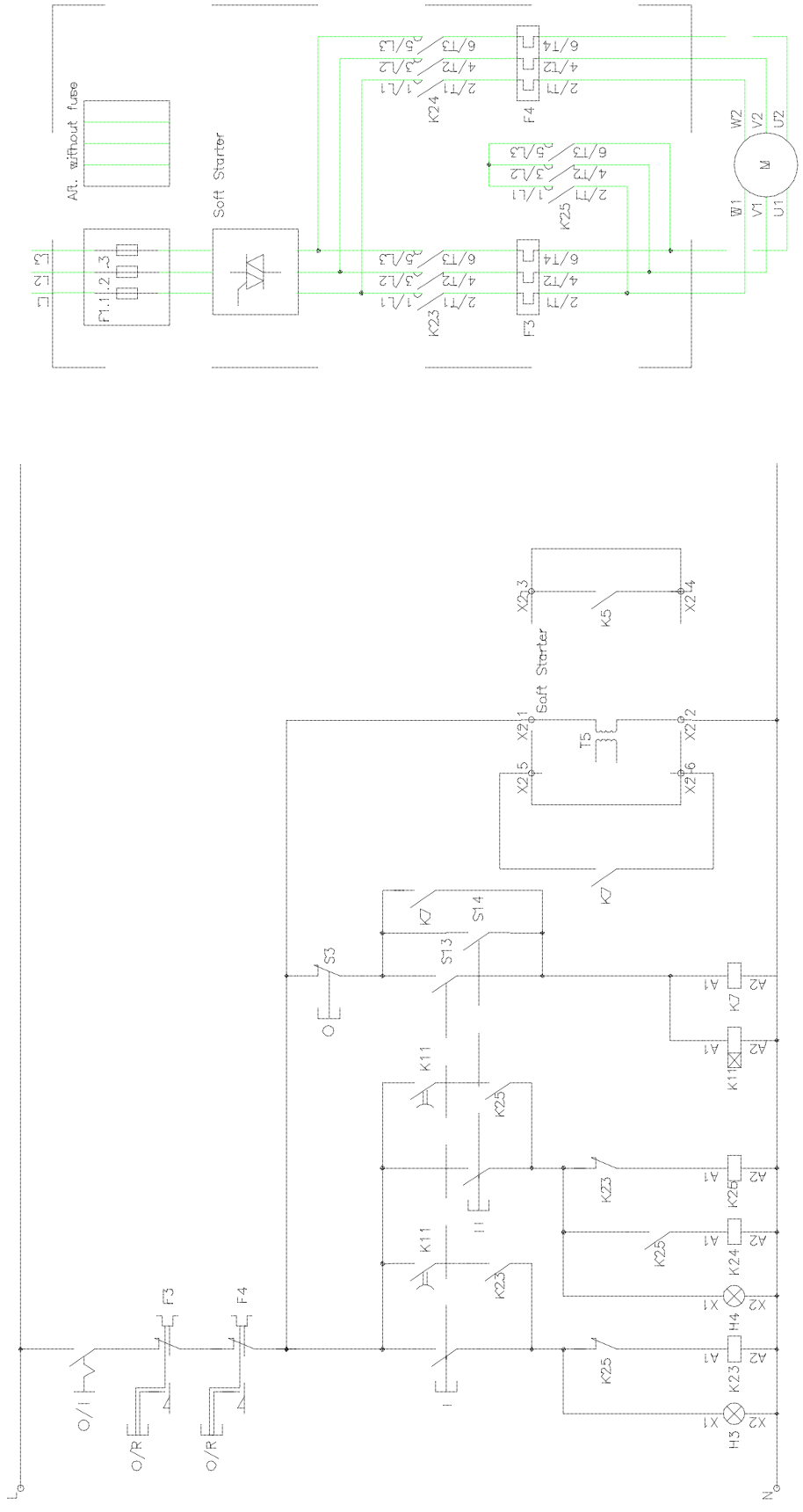
Soft Starter PS D370...840 with pole-changing, By-pass and softstop.
 To be stopped before change of speed.
 Start at optional speed.
 For motor with two winding.
 If softstop is not needed set the time for softstop to 0.5.



A105-33

Rev. int.	Appl.	Year	Issue	5366 105-33	82	1	...
				SECUR/80 06 42	ISSUED		
APPLICATION DIAGRAM				Soft Starter			
Mjakstartare				T Perisson			
T Perisson				T Perisson			
TP				TP			

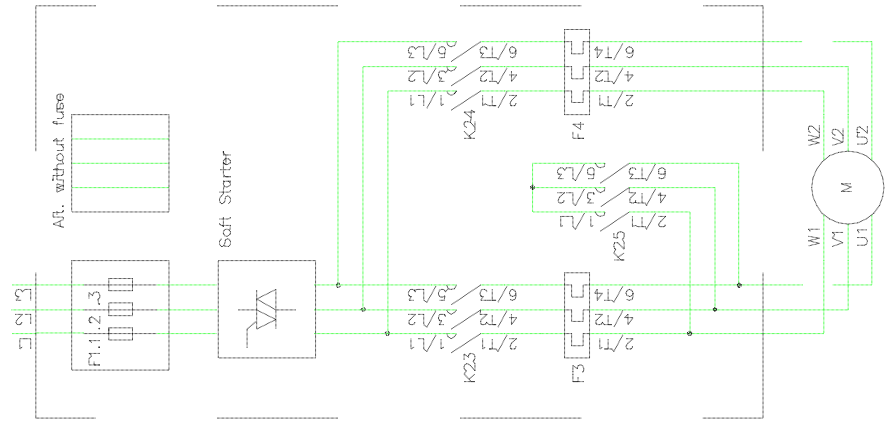
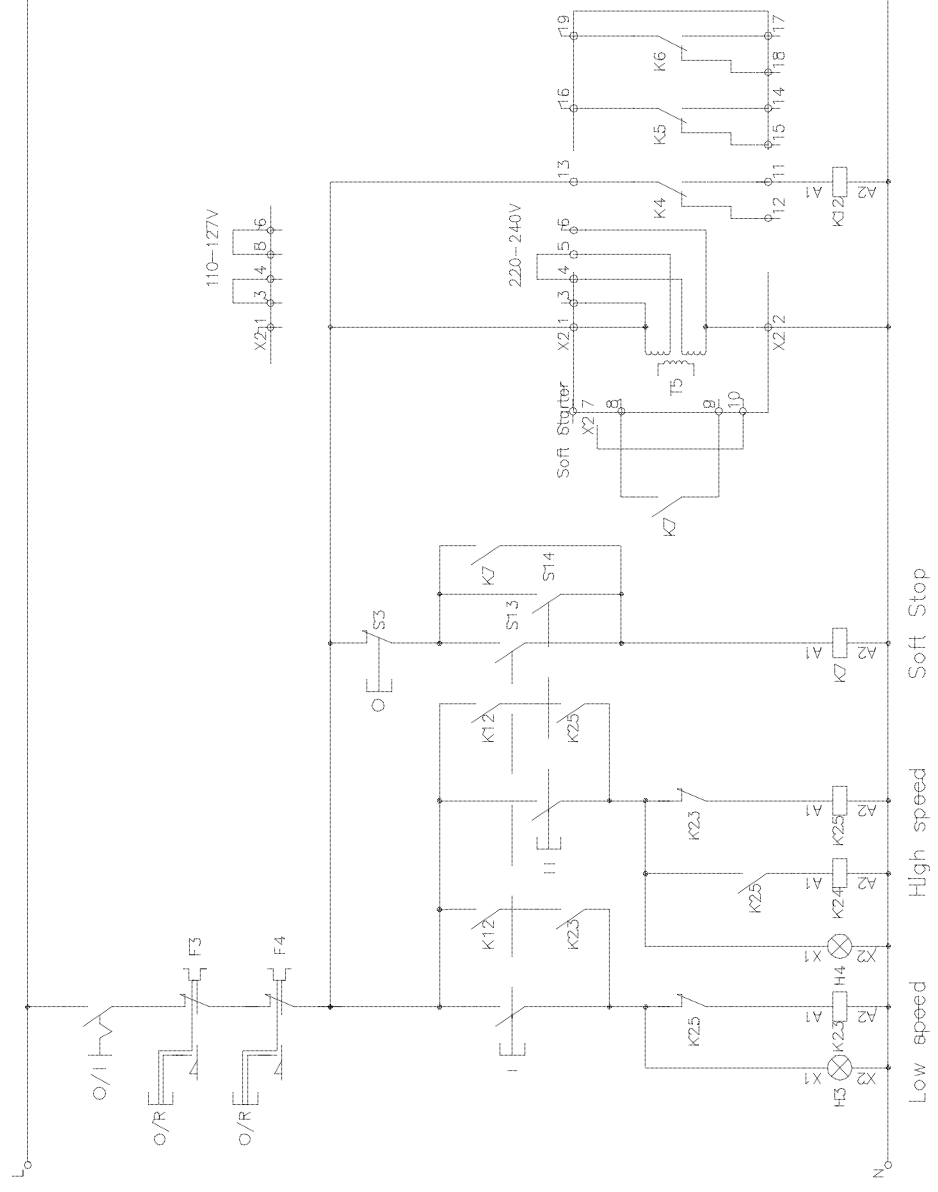
Soft Starter PS A18...60 with pole-changing and softstop.
 To be stopped before change of speed.
 Start at optional speed.
 For motor with one winding (Dahlander).
 If softstop is not needed set the time for softstop to 0.5.



A105-34

Rev. int.	Appl.	Year	Week	ISSUED	82	1
				SECUR/80 06 42	5366 105-34	...
APPLICATION DIAGRAM				I Persson		
Soft Starter				I Persson		
Mjukstartare				TP		

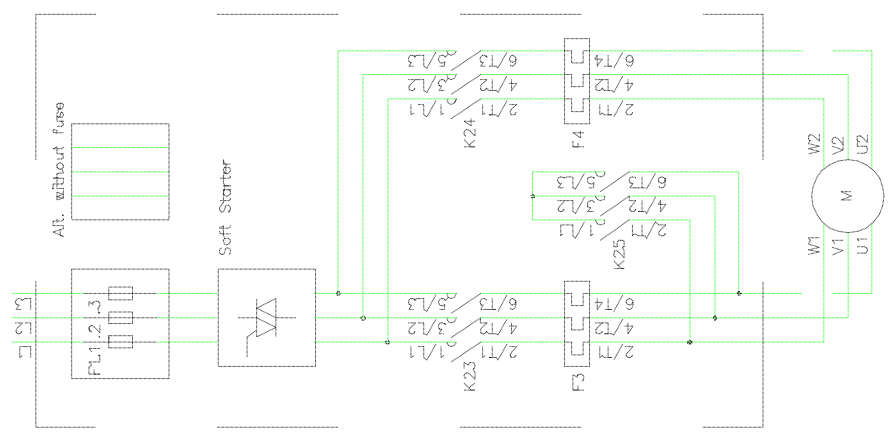
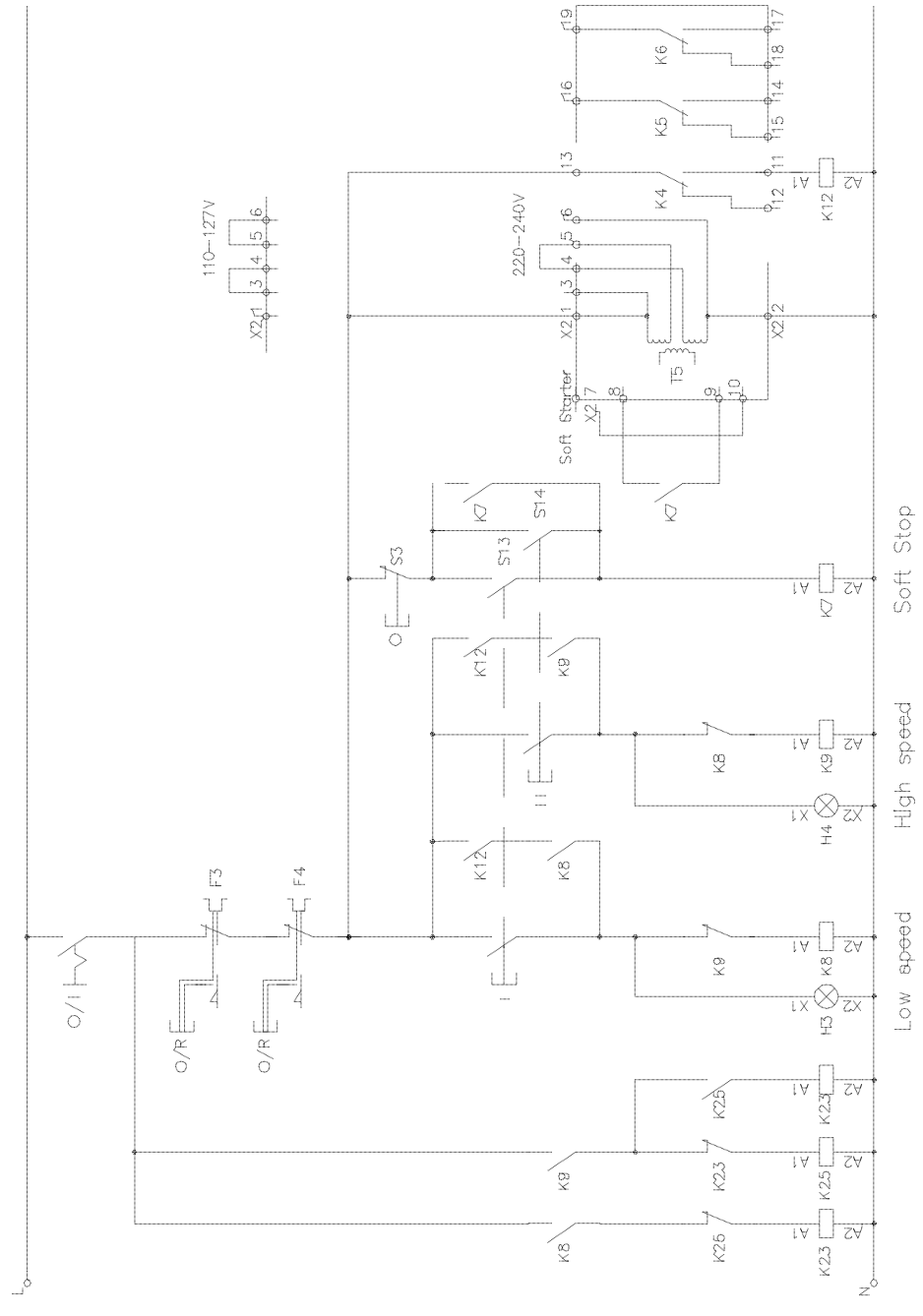
Soft Starter PS D75...300 with pole-changing and softstop.
 To be stopped before change of speed.
 Start at optional speed.
 For motor with one winding (Dahlander).
 If softstop is not needed set the time for softstop to 0.5.



AJ105-35

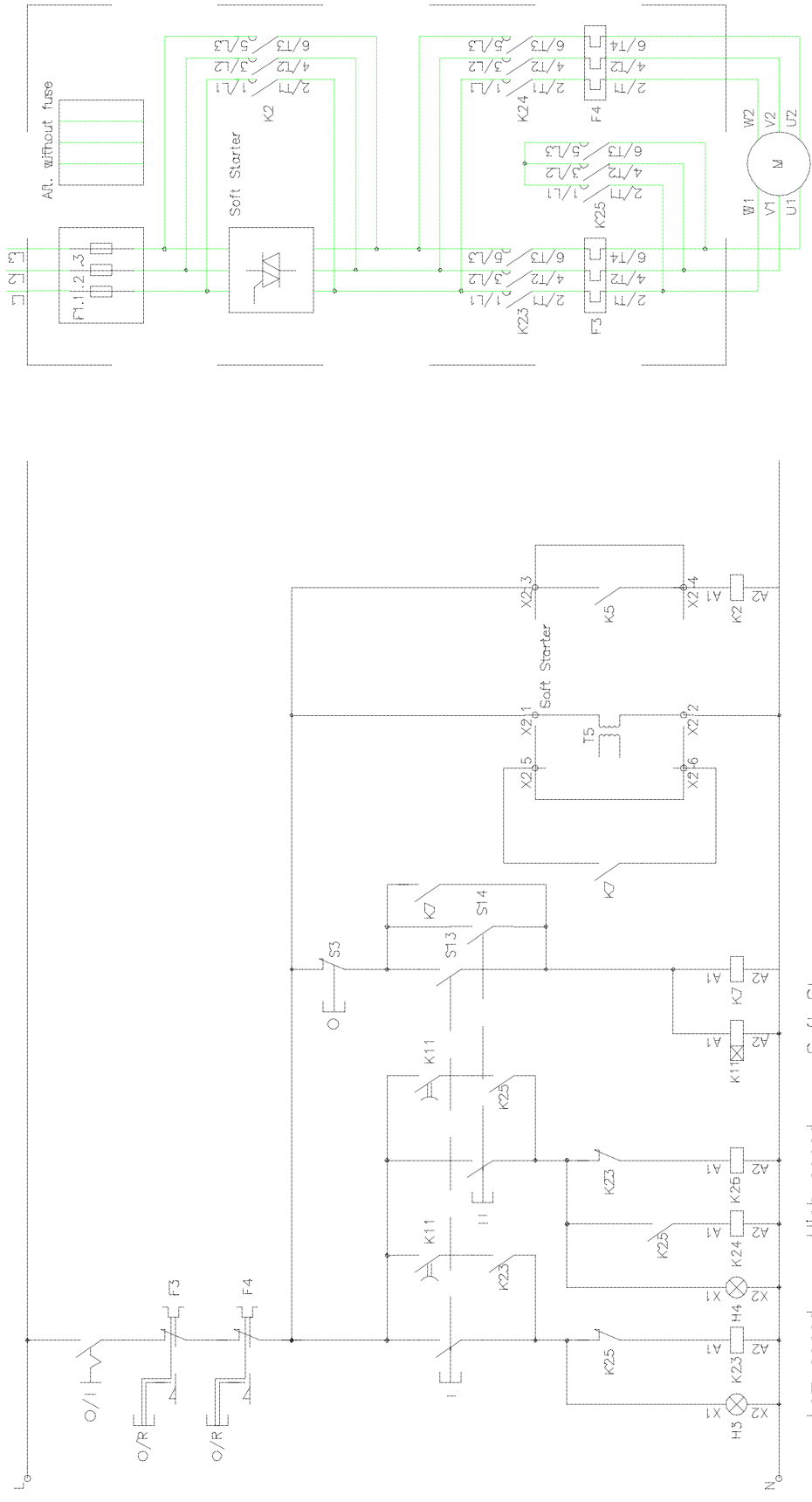
Rev. int.	Appt.	Year	Week	ISSUED	82	1	...
				SECUR./80 06 42	5366 105-35		
				APPLICATION DIAGRAM			
				Soft Starter			
				Mjakstartare			
				I Perissou			
				I Perissou			
				IP			

Soft Starter PS D370...840 with pole-changing and softstop.
 To be stopped before change of speed.
 Start at optional speed.
 For motor with one winding (Dahlander).
 If softstop is not needed set the time for softstop to 0.5.



A105-36		ISSUED	82	1	...
5366 105-36		ISSUED	82	1	...
APPLICATION DIAGRAM		SECUR/80	06	42	
Soft Starter					
Mjpkstartare					
I Persson					
I Persson					
TP					
Rev	nr	Appl	Year	Week	

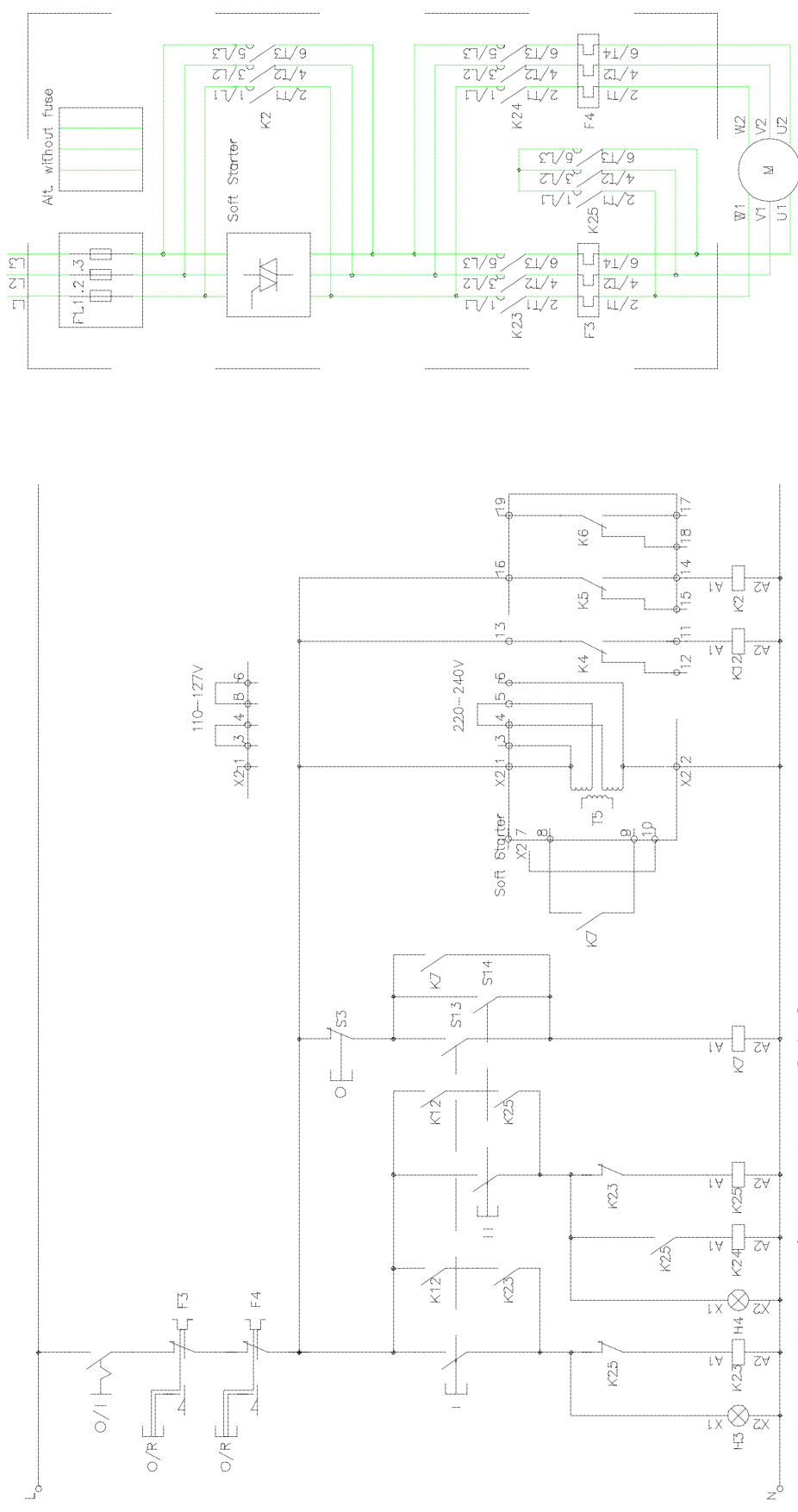
Soft Starter PS A18...60 with pole-changing, By-pass and softstop.
 To be stopped before change of speed.
 Start at optional speed.
 For motor with one winding (Dahlander).
 If softstop is not needed set the time for softstop to 0.5.



AJ05-37

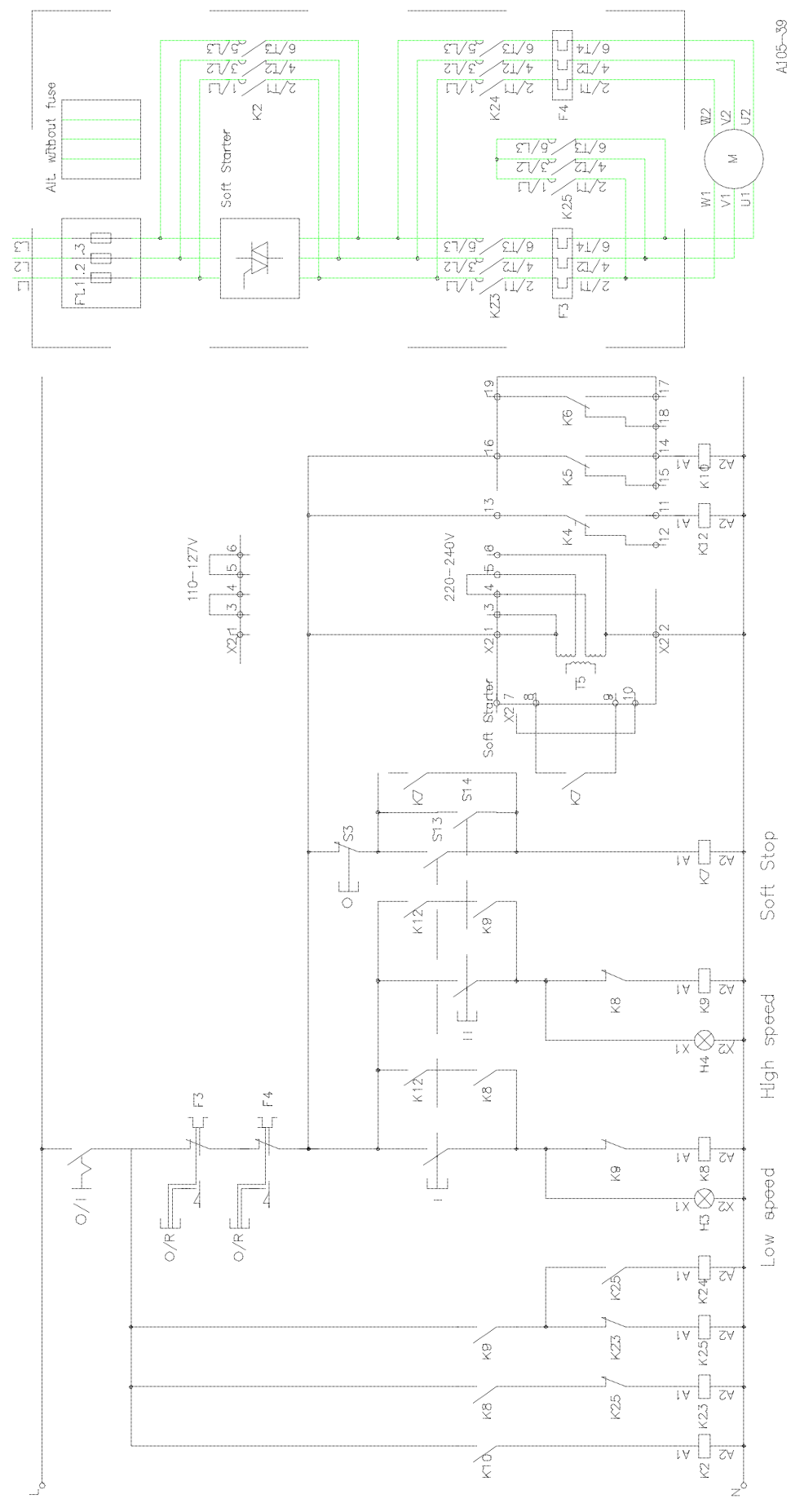
Rev. int.	Appl.	Year	Issue	ISSUED	82	1	...
				SECUR/80 06 42	5366 105-37		
				APPLICATION DIAGRAM			
				Soft Starter			
				Mjukstartare			
				I Persson			
				I Persson			
				TP			

Soft Starter PS D75...300 with pole-changing, By-pass and softstop.
 To be stopped before change of speed.
 Start at optional speed.
 For motor with one winding (Dahlander).
 If softstop is not needed set the time for softstop to 0.5.



I Perisson		APPLICATION DIAGRAM		5366 105-38		ISSUED		1	
I Perisson		Soft Starter				SECUR/80 06 42			
IP		Mjukstartare							
Rev	int	Appl	Year	Issue					
					A105-38				

Soft Starter PS D370...840 with pole-changing and softstop.
 To be stopped before change of speed.
 Start at optional speed.
 For motor with one winding (Dahlander).
 If softstop is not needed set the time for softstop to 0.5.

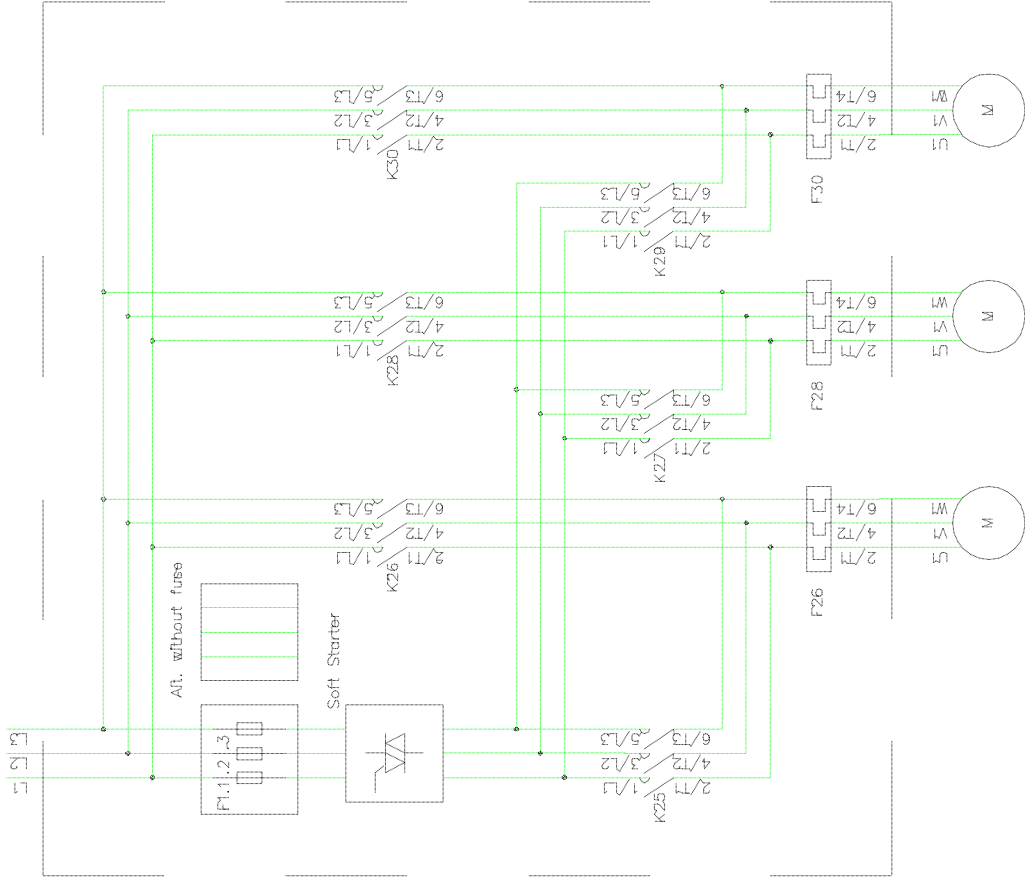


Rev. int.	Appl.	Year	Issue	SECUR/80 06 42	ISSUED	5366 105-39	82	1	...
				APPLICATION DIAGRAM					
				Soft Starter					
				Mjpkstartare					
				I Persson					
				I Persson					
				TP					
A105-39									

SPECIAL APPLICATION DIAGRAM

5366 106-1	PS D75...840	Sequential start for 3 motors.
5366 106-2	PS D75...300	Start of 2 motors.

Sequential start for 3 motors.
 Soft Starter PS D75...300 with motor protection without softstop.
 Start of optional motor.

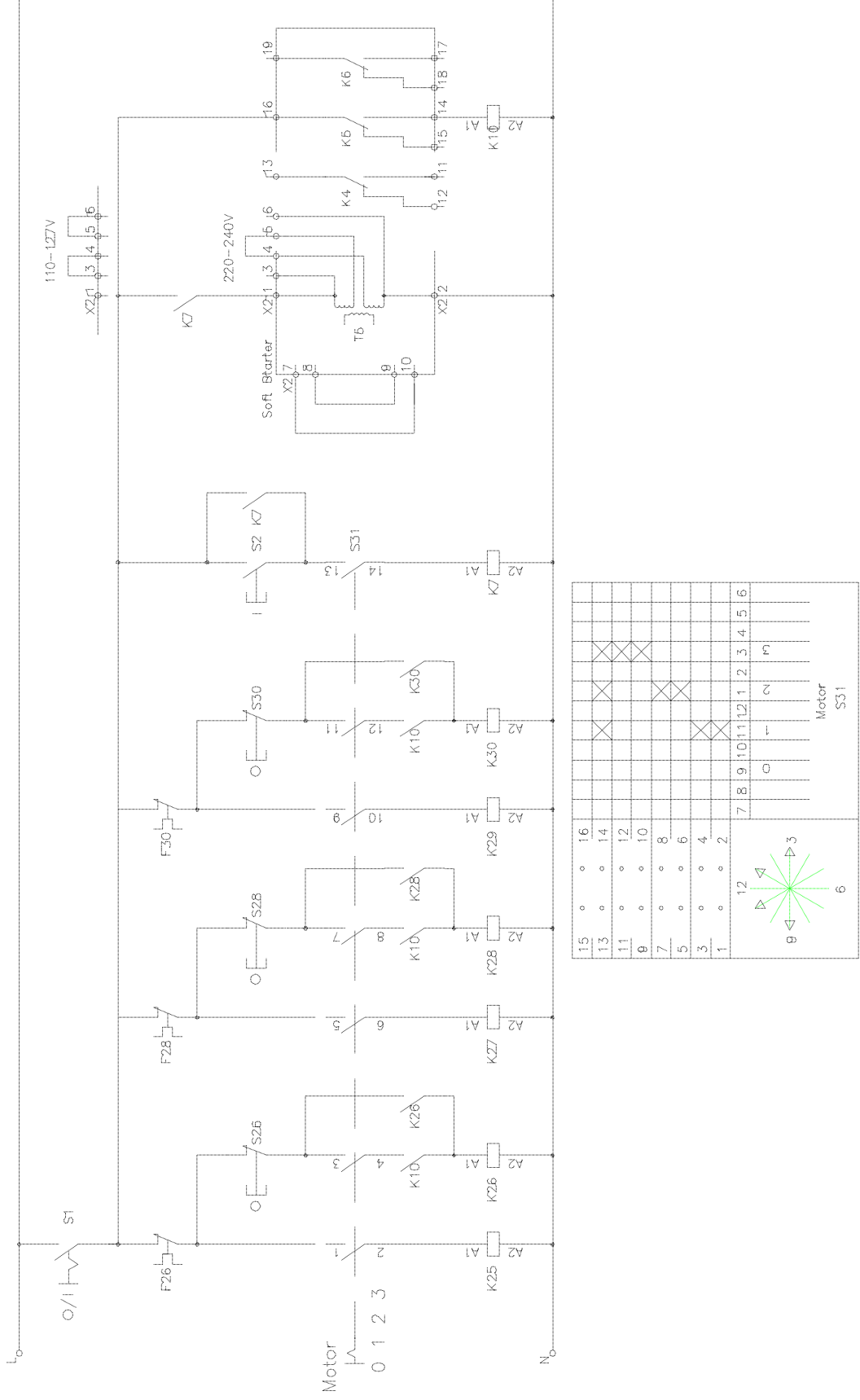


A106-1A

I Persson		APPLICATION DIAGRAM		ISSUED	
I Persson		Soft Starter		5366 106--1	
TP		Mjuktstartare		2	
		SECUR/80 86 07		82	
				1	
				2	
				2	

2	Ändrad	TP	86	43
1	Fusar moved.	TP	85	08
Rev int		Appl	Year	Week

Sequential start for 3 motors.
 Soft Starter PS D75...300 with motor protection without softstop.
 Start of optional motor.



AJ06-1B

APPLICATION DIAGRAM			
I Perissos	Soft Starter	5366 106-1	82
I Perissos	Mjakstartare		2
IP			1
		ISSUED	...
		SECUR/80 06 07	

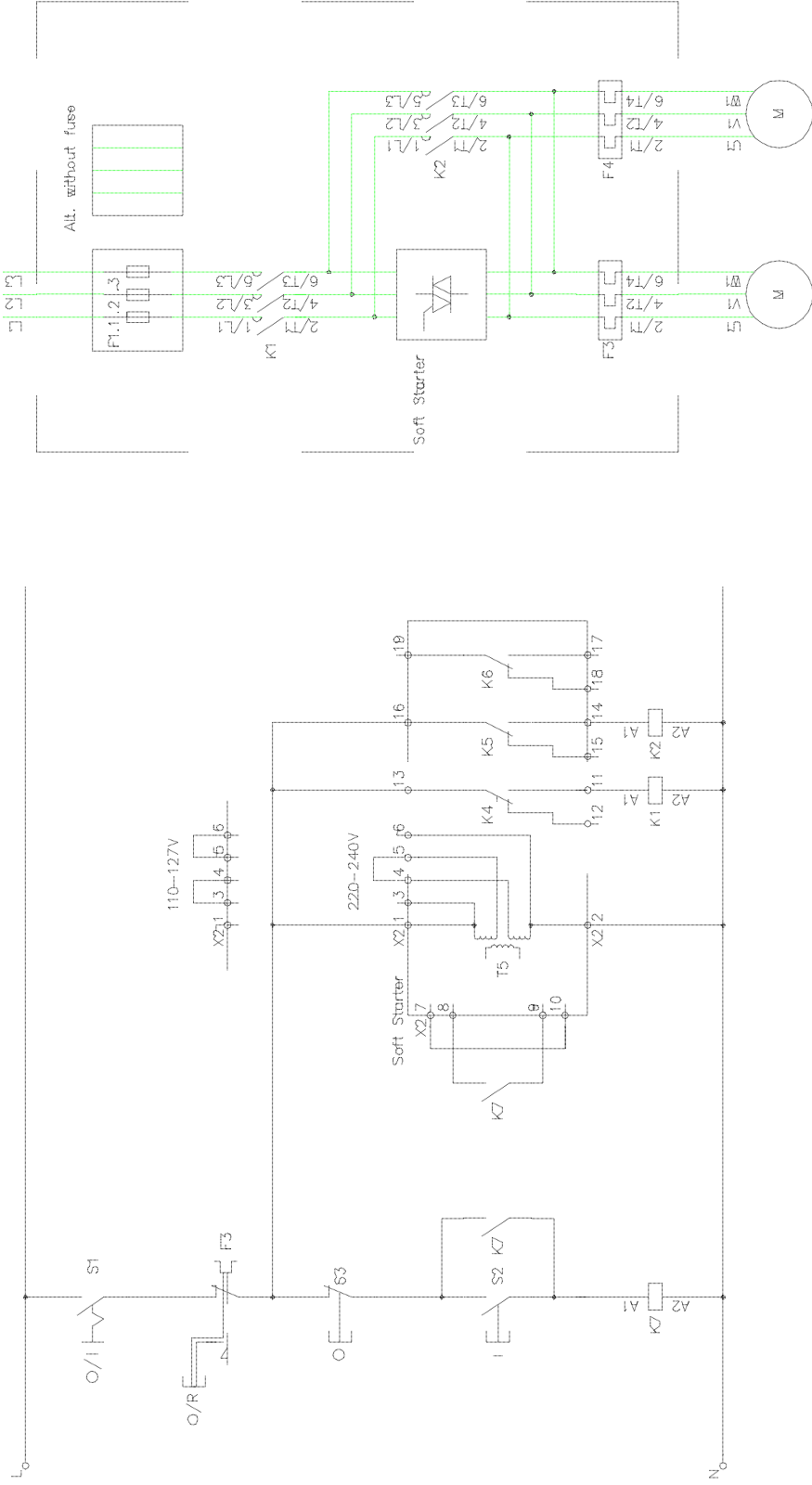
Rev: int

1 Jastarad

IP 06 43

Apod Year /Week

Start of 2 motors.
 Soft Starter PS D75...300 with motor protection, softstart and By-pass.
 Main contactor open during pause



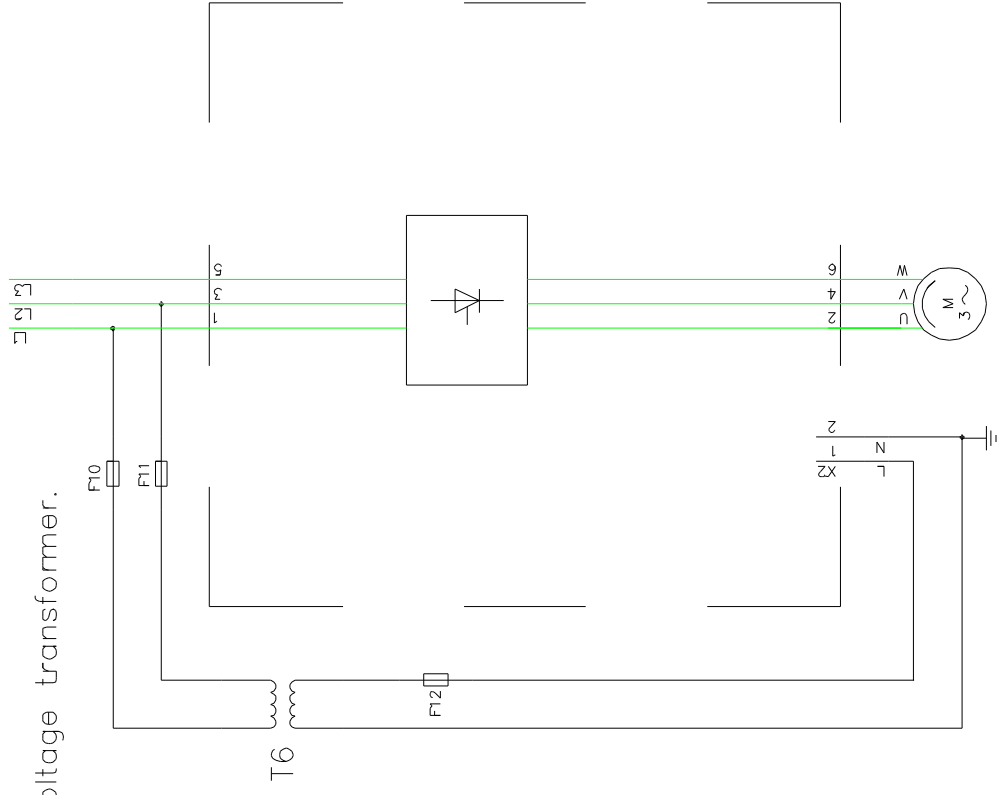
A106-2

Rev. nr	Appl.	Year	Week	ISSUED	82	1	...
				SECUR/80 06 43	5366 106-2		
APPLICATION DIAGRAM				Soft Starter			
I Persson				Mjukstartare			
I Persson							
TP							

SPECIAL DIAGRAM

5366 107-1	PS A, PS D(H)	Connection of control voltage transformer.
5366 107-2	PS A, PS D(H)	Connection of control voltage between phase and neutral wire.

Connection of control voltage transformer.



A107-1

Rev	Ind	Sheet	5366 107-1	ISSUED
Rev	Ind	Sheet		
Rev	Ind	Cont		
Design checked by T PERSSON Drawing checked by T PERSSON Drawn by TP			Diagram SOFT STARTERS MÅDKSTARTARE ABB Control	
Iss. by SCURL/BM			Date 96-07	
Rev	Ind	Year	Issue	



ABB Automation Technology Products AB, Control
S-721 61 Västerås, SWEDEN

Telephone +46 21 32 07 00
TELEFAX +46 21 12 60 01

(53096981.doc)