



HEIDENHAIN



Encoders for Servo Drives

December 2010

This catalog is not intended as an overview of the HEIDENHAIN product program. Rather it presents a selection of **encoders for use on servo drives**.

In the **selection tables** you will find an overview of all HEIDENHAIN encoders for use on electric drives and the most important specifications. The descriptions of the **technical features** contain fundamental information on the use of rotary, angular, and linear encoders on electric drives.

The **mounting information** and the detailed **specifications** refer to the **rotary encoders** developed specifically for drive technology. Other rotary encoders are described in separate product catalogs.

For the **linear and angular encoders** listed in the selection tables, you will find detailed information such as mounting information, specifications and dimensions in the respective **product catalogs**.

This catalog supersedes all previous editions, which thereby become invalid. The basis for ordering from HEIDENHAIN is always the catalog edition valid when the contract is made.

Standards (ISO, EN, etc.) apply only where explicitly stated in the catalog.

Further Product Catalogs



Catalog:
Rotary Encoders

Contents:
Incremental Rotary Encoders
ERN, ROD
Absolute Rotary Encoders
ECN, EQN, ROC, ROQ



Catalog:
Absolute Angle Encoders with Optimized Scanning

Contents:
Absolute Angle Encoders
RCN



Catalog:
Angle Encoders without Integral Bearing

Contents:
Incremental Angle Encoders
ERA, ERP



Catalog:
Modular Magnetic Encoders

Contents:
Modular Magnetic Encoders
ERM



Catalog:
Exposed Linear Encoders

Contents:
Incremental Linear Encoders
LIP, PP, LIF, LIDA



Catalog:
Linear Encoders for Numerically Controlled Machine Tools

Contents:
Incremental Linear Encoders
LB, LF, LS
Absolute Linear Encoders
LC

Contents

Overview		
	Explanation of the Selection Tables	6
	Rotary Encoders for Mounting on Motors	8
	Rotary Encoders for Integration in Motors	10
	Rotary Encoders and Angle Encoders for Integrated and Hollow-Shaft Motors	12
	Exposed Linear Encoders for Linear Drives	14
	Sealed Linear Encoders for Linear Drives	16
Technical Features and Mounting Information		
	Rotary Encoders and Angle Encoders for Three-Phase AC and DC Motors	18
	Linear Encoders for Linear Drives	20
	Safety-Related Position Measuring Systems	22
	Measuring Principles	24
	Measuring Accuracy	27
	Mechanical Designs, Mounting and Accessories	30
	Aligning the Rotary Encoders to the Motor EMF	35
	General Mechanical Information	36
Specifications		
Rotary Encoders with Integral Bearing	ECN/EQN 1100 Series	38
	ERN 1100 Series	40
	ERN 1123 Series	42
	ECN/EQN 1300 Series	44
	ERN 1300 Series	46
Rotary Encoders without Integral Bearing	ECI/EQI 1100 Series	48
	ECI 1118	50
	ECI/EQI 1300 Series	52
	ECI 119	54
	ERO 1200 Series	56
	ERO 1400 Series	58
Angle Encoders	See <i>Absolute Angle Encoders</i> and <i>Angle Encoders without Integral Bearing</i> catalogs	
Linear Encoders	See <i>Exposed Linear Encoders</i> and <i>Linear Encoders for Numerically Controlled Machine Tools</i> catalogs	
Electrical Connection		
	Interfaces	60
	Cables and Connecting Elements	69
	General Electrical Information	73
	HEIDENHAIN Measuring and Testing Devices and Evaluation Electronics	78

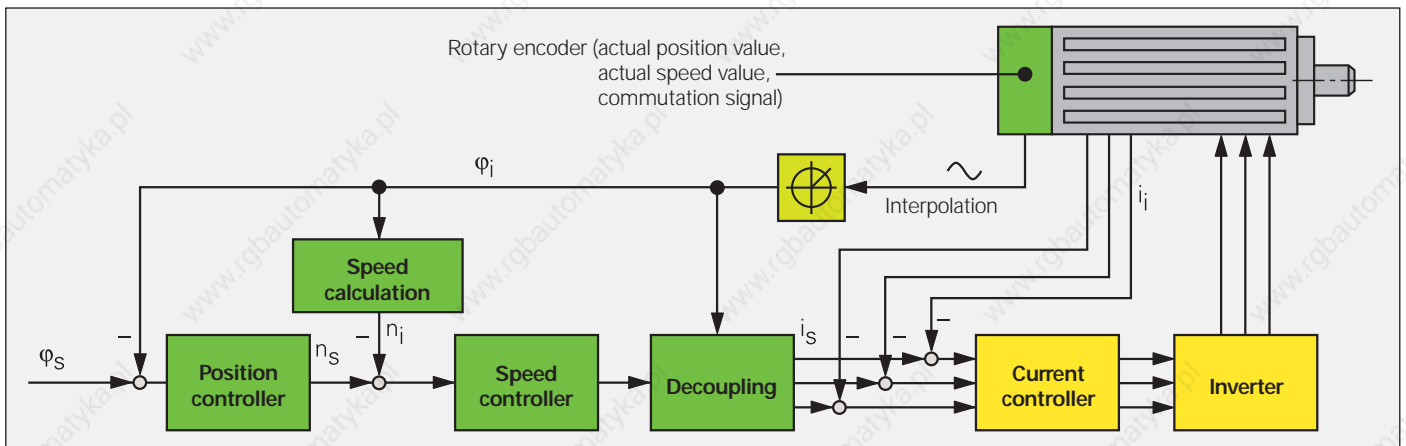
Encoders for Servo Drives

Controlling systems for servo drives require measuring systems that provide feedback for the position and speed controllers and for electronic commutation.

The properties of encoders have decisive influence on important motor qualities such as:

- Positioning accuracy
- Speed stability
- Bandwidth, which determines drive command-signal response and disturbance rejection capability
- Power loss
- Size
- Quietness

Digital position and speed control



HEIDENHAIN offers the appropriate solution for any of a wide range of applications using both rotary and linear motors:

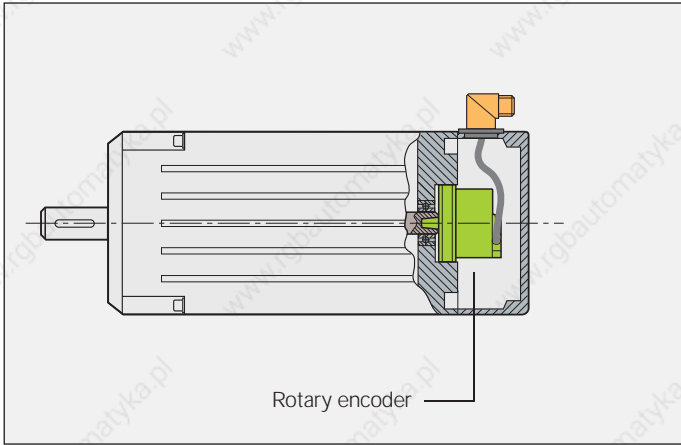
- Incremental rotary encoders with and without commutation tracks, absolute rotary encoders
- Incremental and absolute angle encoders
- Incremental and absolute linear encoders



Rotary encoders

All the HEIDENHAIN encoders shown in this catalog involve very little cost and effort for the motor manufacturer to mount and wire. Encoders for rotary motors are of short overall length. Some encoders, due to their special design, can perform functions otherwise handled by safety devices such as limit switches.

Motor for "digital" drive systems
(digital position and speed control)



Angle encoders



Linear encoders

Explanation of the Selection Tables

The tables on the following pages list the encoders suited for individual motor designs. The encoders are available with dimensions and output signals to fit specific types of motors (DC or AC).

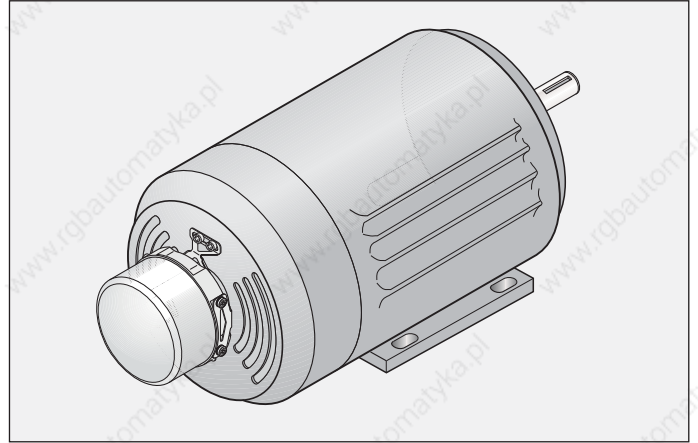
Rotary encoders for mounting on motors

Rotary encoders for motors with forced ventilation are either built onto the motor housing or integrated. As a result, they are frequently exposed to the unfiltered forced-air stream of the motor and must have a high degree of protection, such as IP 64 or better. The permissible operating temperature seldom exceeds 100 °C.

In the selection table you will find

- Rotary encoders with mounted **stator couplings** with high natural frequency—virtually eliminating any limits on the bandwidth of the drive
- Rotary encoders for **separate shaft couplings**, which are particularly suited for **insulated mounting**
- Incremental rotary encoders with high quality **sinusoidal output signals** for digital speed control
- Absolute rotary encoders with purely digital data transfer or complementary sinusoidal incremental signals
- Incremental rotary encoders with **TTL- or HTL-compatible output signals**

For Selection Table see page 8



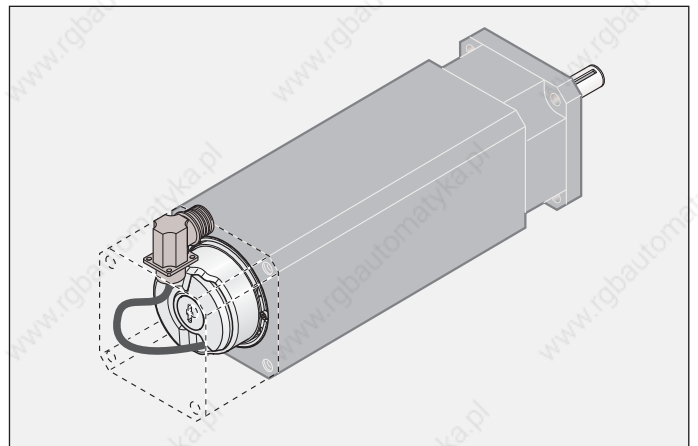
Rotary encoders for integration in motors

For motors without separate ventilation, the rotary encoder is built into the motor housing. This configuration places no stringent requirements on the encoder for a high degree of protection. The operating temperature within the motor housing, however, can reach 100 °C and higher.

In the selection table you will find

- Incremental rotary encoders for **operating temperatures** up to 120 °C, and absolute rotary encoders for operating temperatures up to 115 °C
- Rotary encoders with mounted **stator couplings** with high natural frequency—virtually eliminating any limits on the bandwidth of the drive
- Incremental rotary encoders for digital speed control with **sinusoidal output signals** of high quality—even at high operating temperatures
- Absolute rotary encoders **with purely digital data transfer** or complementary sinusoidal incremental signals
- Incremental rotary encoders with additional **commutation signal** for synchronous motors
- Incremental rotary encoders with **TTL-compatible output signals**

For Selection Table see page 10



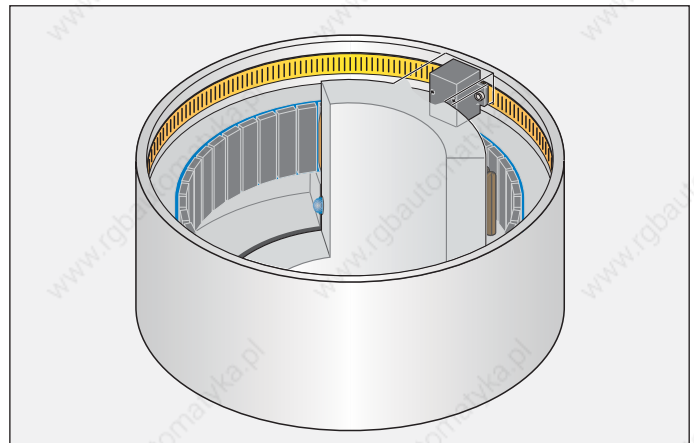
Rotary encoders and angle encoders for integrated and hollow-shaft motors

Rotary encoders and angle encoders for these motors have **hollow through shafts** in order to allow supply lines, for example, to be conducted through the motor shaft—and therefore through the encoder. Depending on the conditions of the application, the encoders must either feature IP 66 protection or—for example with modular encoders using optical scanning—the machine must be designed to protect them from contamination.

In the selection table you will find

- Rotary encoders with the measuring standard on a steel drum for **shaft speeds up to 42000 min⁻¹**
- Encoders with integral bearing, with stator coupling or modular design
- Encoders with high quality **absolute and/or incremental output signals**
- Encoders with **good acceleration performance** for a broad bandwidth in the control loop

For Selection Table see page 12



Linear encoders for linear motors

Linear encoders on linear motors supply the actual value both for the position controller and the velocity controller. They therefore form the basis for the servo characteristics of a linear drive. The linear encoders recommended for this application

- Have low position deviation during acceleration in the measuring direction
- Have high tolerance to acceleration and vibration in the lateral direction
- Are designed for high velocities
- Supply sinusoidal incremental signals of high quality

Exposed linear encoders are characterized by:

- Higher accuracy grades
- Higher traversing speeds
- Contact-free scanning, i.e., no friction between scanning head and scale

Exposed linear encoders are suited for applications in clean environments, for example on measuring machines or production equipment in the semiconductor industry.

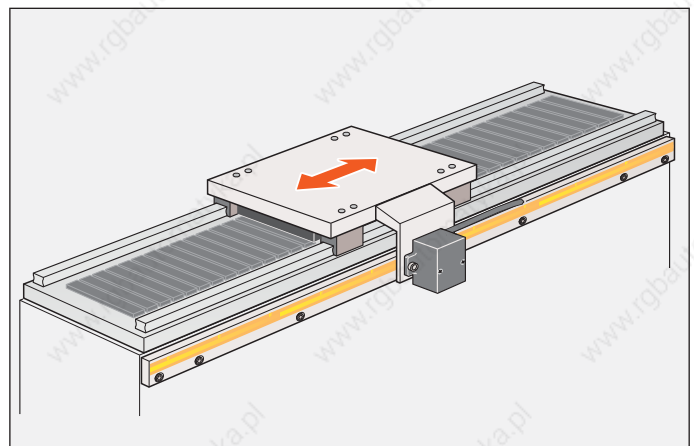
For Selection Table see page 14

Sealed linear encoders are characterized by:

- A high degree of protection
- Simple installation

Sealed linear encoders are therefore ideal for applications in environments with airborne liquids and particles, such as on machine tools.

For Selection Table see page 16



Selection Guide

Rotary Encoders for Mounting on Motors

Protection: up to IP 64 (EN 60529)

Series	Overall dimensions	Mechanically permissible speed	Natural freq. of the stator connection	Maximum operating temperature	Power supply
Rotary encoders with integral bearing and mounted stator coupling					
ECN/ERN 100		$D \leq 30 \text{ mm:}$ $\leq 6000 \text{ min}^{-1}$ $D > 30 \text{ mm:}$ $\leq 4000 \text{ min}^{-1}$	$\geq 1100 \text{ Hz}$	100 °C	DC 5 V \pm 5%
					DC 3.6 to 5.25 V
ECN/EQN/ERN 400	<p><i>Stator coupling</i></p> <p><i>Universal stator coupling</i></p>	$\leq 6000 \text{ min}^{-1}$ <i>With two shaft clamps (only for hollow through shaft):</i> $\leq 12000 \text{ min}^{-1}$	<i>Stator coupling:</i> $\geq 1500 \text{ Hz}$ <i>Universal stator coupling:</i> $\geq 1400 \text{ Hz}$	100 °C	DC 3.6 to 14 V
					DC 5 V \pm 10%
				70 °C	DC 10 to 30 V
				100 °C	DC 5 V \pm 10%
ECN/EQN/ERN 1000		$\leq 12000 \text{ min}^{-1}$ $\leq 6000 \text{ min}^{-1}$	$\geq 1800 \text{ Hz}$ $\geq 1600 \text{ Hz}$	100 °C	DC 3.6 to 14 V
					DC 5 V \pm 10%
				70 °C	DC 10 to 30 V
					DC 5 V \pm 5%
				100 °C	DC 5 V \pm 10%
90 °C					DC 5 V \pm 10%
					DC 5 V \pm 10%
					DC 5 V \pm 10%
					DC 5 V \pm 10%
Rotary encoders with integral bearing for separate shaft coupling					
ROC/ROQ/ROD 400		$\leq 12000 \text{ min}^{-1}$ $\leq 16000 \text{ min}^{-1}$	-	100 °C	DC 3.6 to 14 V
					DC 5 V \pm 10%
				70 °C	DC 10 to 30 V
				100 °C	DC 5 V \pm 10%
ROD 1000		$\leq 12000 \text{ min}^{-1}$ $\leq 12000 \text{ min}^{-1}$	$\geq 1800 \text{ Hz}$ -	100 °C	DC 3.6 to 14 V
					DC 5 V \pm 10%
				70 °C	DC 10 to 30 V
					DC 5 V \pm 5%

Incremental signals		Absolute position values			Model	For more information
Output signals	Signal periods per revolution	Positions per revolution	Distinguishable revolutions	Data interface		
~ 1 V _{pp}	2048	8192	-	EnDat 2.2 / 01	ECN 113	Catalog: Rotary Encoders
-	-	33554432		EnDat 2.2/22	ECN 125	
□ T _{TTL} / ~ 1 V _{pp}	1000 to 5000	-			ERN 120/ERN 180	
□ HTL					ERN 130	
~ 1 V _{pp}	512, 2048	8192	-4096	EnDat 2.2 / 01	ECN 413/EQN 425	
-	-	33554432		EnDat 2.2/22	ECN 425/EQN 437¹⁾	
□ TTL	250 to 5000	-			ERN 420	
□ HTL					ERN 430	
□ TTL					ERN 460	
~ 1 V _{pp}					ERN 480	
~ 1 V _{pp}	512	8192	-4096	EnDat 2.2 / 01	ECN 1013/EQN 1025	
-	-	8388608		EnDat 2.2/22	ECN 1023/EQN 1035¹⁾	
□ T _{TTL} / ~ 1 V _{pp}	100 up 3600	-			ERN 1020/ERN 1080	
□ HTLs					ERN 1030	
□ TTL					ERN 1070	
	512, 2048	Z1 track for sine commutation			ERN 1085	Product Info
	500 to 8192	3 block commutation signals			ERN 1023	Product Info

~ 1 V _{pp}	512, 2048	8192	-4096	EnDat 2.2 / 01	ROC 413/ROQ 425	Catalog: Rotary Encoders
-	-	33554432		EnDat 2.2/22	ROC 425/ROQ 437¹⁾	
□ TTL	50 to 10000	-			ROD 426	
□ HTL	50 to 5000				ROD 436	
□ TTL	50 to 10000				ROD 466	
~ 1 V _{pp}	1000 to 5000				ROD 486	
~ 1 V _{pp}	512	8192	-4096	EnDat 2.2 / 01	ROC 1013/ROC 1025	
-	-	8388608		EnDat 2.2/22	ROQ 1023/ROQ 1035¹⁾	
□ T _{TTL} / ~ 1 V _{pp}	100 up 3600	-			ROD 1020/ROD 1080	
□ HTLs					ROD 1030	
□ TTL					ROD 1070	

¹⁾ **Functional Safety** upon request ²⁾ after internal 5/10-fold interpolation

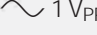

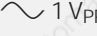


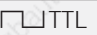

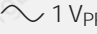

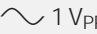

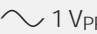



Selection Guide

Rotary Encoders for Integration in Motors

Protection: up to IP 40 (EN 60529)

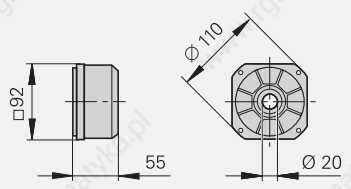
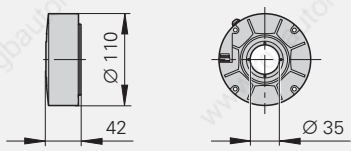
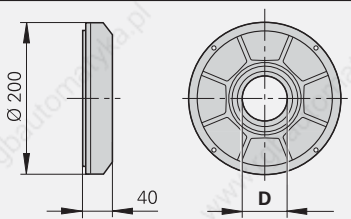
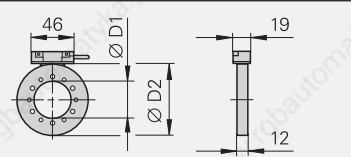
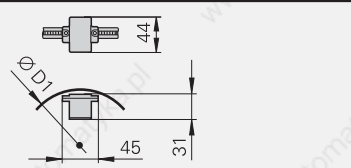
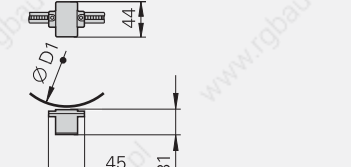
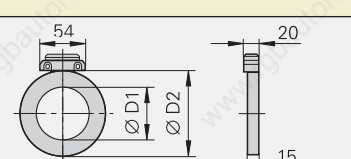
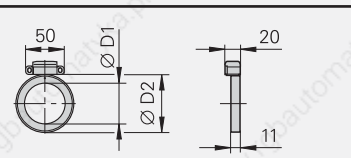
Series	Overall dimensions	Mechanically permissible speed	Natural freq. of the stator connection	Maximum operating temperature	Power supply
Rotary encoders with integral bearing and mounted stator coupling					
ECN/EQN/ ERN 1100		$\leq 12000 \text{ min}^{-1}$ $\leq 6000 \text{ min}^{-1}$	$\geq 1500 \text{ Hz}$ $\geq 1600 \text{ Hz}$	115 °C	DC 3.6 to 14 V
				100 °C	DC 5 V \pm 10%
				115 °C	90 °C
ECN/EQN/ ERN 1300		$\leq 15000 \text{ min}^{-1}$ / $\leq 12000 \text{ min}^{-1}$ $\leq 15000 \text{ min}^{-1}$	$\geq 2000 \text{ Hz}$	115 °C	DC 3.6 to 14 V
				120 °C ERN 1381/4096: 80 °C	DC 5 V \pm 10%
					DC 5 V \pm 5%
					DC 5 V \pm 10%
DC 5 V \pm 5%					
Rotary encoders without integral bearing					
ECI/EQI 1100	<p>D: 6 mm</p>	$\leq 15000 \text{ min}^{-1}$ / $\leq 12000 \text{ min}^{-1}$	-	115 °C	DC 5 V \pm 5%
EBI 1100					DC 3.6 to 14 V
ECI/EQI 1300		$\leq 15000 \text{ min}^{-1}$ / $\leq 12000 \text{ min}^{-1}$	-	115 °C	DC 5 V \pm 5% or DC 7 to 10 V
ECI 100		$\leq 6000 \text{ min}^{-1}$	-	115 °C	DC 5 V \pm 5%
ERO 1200	<p>D: 10/12 mm</p>	$\leq 25000 \text{ min}^{-1}$	-	100 °C	DC 5 V \pm 10%
ERO 1400	<p>D: 4/6/8 mm</p>	$\leq 30000 \text{ min}^{-1}$	-	70 °C	DC 5 V \pm 10%
					DC 5 V \pm 5%
					DC 5 V \pm 10%

1) **Functional Safety** upon request 2) after internal 5/10/20/25-fold interpolation
 3) Multiturn function buffered by external battery

Incremental signals		Absolute position values			Model	For more information
Output signals	Signal periods per revolution	Positions per revolution	Distinguishable revolutions	Data interface		
 1 V _{pp}	512	8192	-4096	EnDat 2.2 / 01	ECN 1113 / EQN 1125	Page 38
	-	-		8388608		
 TTL	1024/2048/3600	-	Z1 track for sine commutation		ERN 1120	Page 40
	 1 V _{pp}	-			-	
		512/2048/	3 block commutation signals		ERN 1185	
 TTL	500 to 8192	3 block commutation signals		ERN 1123	Page 42	
 1 V _{pp}	512/2048/	8192	-4096	EnDat 2.2 / 01	ECN 1313/EQN 1325	Page 44
	-	-		33554432		
 TTL	1024/2048/4096	-	3 block commutation signals		ERN 1321	Page 46
		-			-	
 1 V _{pp}	512/2048/4096	-	Z1 track for sine commutation		ERN 1381	
	2048	-			ERN 1387	
 1 V _{pp}	16	262144	-4096	EnDat 2.1 / 01	ECI 1118/EQI 1130	Page 48
				-		
-	-	-	-	EnDat 2.2/22	ECI 1118	Page 50
-	-	-	65536 ³⁾	EnDat 2.2/22	EBI 1135	Product Info
 1 V _{pp}	32	524288	-4096	EnDat 2.1 / 01	ECI 1319/EQI 1331	Page 52
				-		
 1 V _{pp}	32	524288	-	EnDat 2.1 / 01	ECI 119	Page 54
				-		
 TTL	1024/2048	-			ERO 1225	Page 56
					 1 V _{pp}	
 TTL	512/1000/1024	-			ERO 1420	Page 58
 TTL	5000 to 37500 ²⁾	-			ERO 1470	
 1 V _{pp}	512/1000/1024	-			ERO 1480	

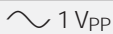


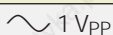
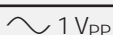
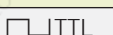
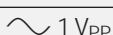
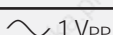
Selection Guide

Rotary Encoders and Angle Encoders for Integrated and Hollow-Shaft Motors

Series	Overall dimensions	Diameter	Mechanically permissible speed	Natural freq. of the stator connection	Maximum operating temperature
Angle encoders with integral bearing and integrated stator coupling					
RCN 2000		–	$\leq 1500 \text{ min}^{-1}$	$\geq 1000 \text{ Hz}$	RCN 23xx: 60 °C RCN 25xx: 50 °C
RCN 5000		–	$\leq 1500 \text{ min}^{-1}$	$\geq 1000 \text{ Hz}$	RCN 53xx: 60 °C RCN 55xx: 50 °C
RCN 8000		D: 60 mm and 100 mm	$\leq 500 \text{ min}^{-1}$	$\geq 900 \text{ Hz}$	50 °C
Angle encoders without integral bearing					
ERA 4000 Steel scale drum		D1: 40 to 512 mm D2: 76.75 to 560.46 mm	$\leq 10000 \text{ min}^{-1}$ to $\leq 1500 \text{ min}^{-1}$	–	80 °C
ERA 700 For inside diameter mounting		D1: 458.62 mm 573.20 mm 1146.1 mm	$\leq 500 \text{ min}^{-1}$	–	50 °C
ERA 800 For outside diameter mounting		D1: 458.04 mm 572.63 mm	$\leq 100 \text{ min}^{-1}$	–	50 °C
Modular encoders without integral bearing with magnetic graduation					
ERM 200		D1: 40 to 410 mm D2: 75.44 to 452.64 mm	$\leq 19000 \text{ min}^{-1}$ to $\leq 3000 \text{ min}^{-1}$	–	100 °C
ERM 2400		D1: 40/55 mm D2: 64.37/ 75.44 mm	$\leq 42000 \text{ min}^{-1}$ / $\leq 36000 \text{ min}^{-1}$	–	100 °C
ERM 2900		D1: 55 mm D2: 77.41 mm	$\leq 25000 \text{ min}^{-1}$		

¹⁾ Interfaces for Fanuc and Mitsubishi controls upon request

²⁾ Segment solutions upon request

	Power supply	System accuracy	Incremental signals		Absolute position values		Model	For more information
			Output signals	Signal periods per revolution	Positions per revolution	Data interface		
	DC 3.6 to 14 V	$\pm 5''$ $\pm 2.5''$	 1 V _{PP}	16384	67108864 \triangleq 26 bits	EnDat 2.2 / 02	RCN 2380 RCN 2580	Catalog: <i>Absolute Angle Encoders with Optimized Scanning</i>
		$\pm 5''$ $\pm 2.5''$	-	-	268435456 \triangleq 28 bits	EnDat 2.2/22	RCN 2310 RCN 2510	
	DC 3.6 to 14 V	$\pm 5''$ $\pm 2.5''$	 1 V _{PP}	16384	67108864 \triangleq 26 bits	EnDat 2.2 / 02	RCN 5380 RCN 5580	
		$\pm 5''$ $\pm 2.5''$	-	-	268435456 \triangleq 28 bits	EnDat 2.2/22	RCN 5310 RCN 5510	
	DC 3.6 to 14 V	$\pm 2''$ $\pm 1''$	 1 V _{PP}	32768	536870912 \triangleq 29 bits	EnDat 2.2 / 02	RCN 8380 RCN 8580	
		$\pm 2''$ $\pm 1''$	-	-		EnDat 2.2/22	RCN 8310 RCN 8510	
	DC 5 V \pm 10%	-	 1 V _{PP}	12000 to 52000	-		ERA 4280C	Catalog: <i>Angle Encoders without Integral Bearing</i>
				6000 to 44000			ERA 4480C	
				3000 to 13000			ERA 4880C	
	DC 5 V \pm 10%	-	 1 V _{PP}	Full circle²⁾ 36000/ 45000/ 90000	-		ERA 780C	
				Full circle²⁾ 36000/ 45000			ERA 880C	
	DC 5 V \pm 10%	$\pm 36''$ to $\pm 9''$	 TTL	512	-		ERM 220	
			 1 V _{PP}				ERM 280	
	DC 5 V \pm 10%	$\pm 43''$ / $\pm 36''$	 1 V _{PP}	512/600	-		ERM 2485	
		$\pm 70''$		256			ERM 2984	

Selection Guide

Exposed Linear Encoders for Linear Drives

Series	Overall dimensions	Traversing speed	Acceleration in measuring direction	Accuracy grade
LIP 400		≤ 30 m/min	≤ 200 m/s ²	To ± 0.5 μ m
LIF 400		≤ 72 m/min	≤ 200 m/s ²	± 3 μ m
LIC 4000 Absolute linear encoder		≤ 480 m/min	≤ 200 m/s ²	± 5 μ m
				± 5 μ m ¹⁾
LIDA 400		≤ 480 m/min	≤ 200 m/s ²	± 5 μ m
				± 5 μ m ¹⁾
LIDA 200		≤ 600 m/min	≤ 150 m/s ²	± 30 μ m
PP 200 Two-coordinate encoder		≤ 72 m/min	≤ 200 m/s ²	± 2 μ m

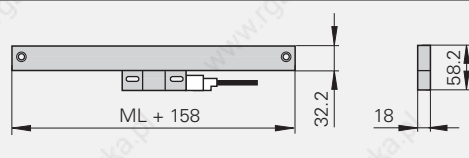
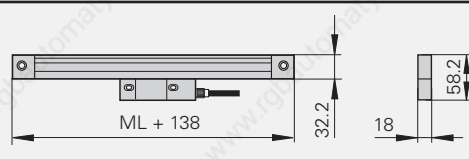
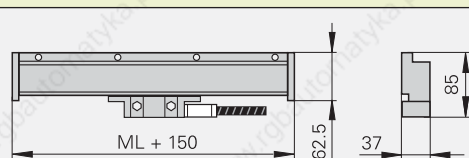
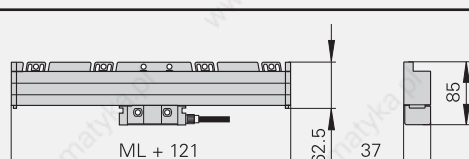
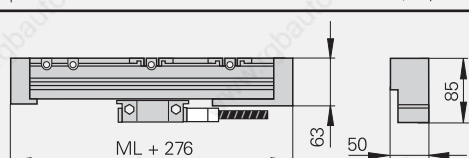
¹⁾ After linear error compensation

	Measuring lengths	Power supply	Incremental signals		Absolute position values		Model	For more information
			Output signals/ signal period	Cutoff frequency –3 dB	Resolution	Data interface		
	70 to 420 mm	DC 5 V ± 5 %	$\sim 1 V_{pp}/2 \mu m$	≥ 250 kHz	–		LIP 481	Catalog: <i>Exposed Linear Encoders</i>
	70 to 1020 mm	DC 5 V ± 5 %	$\sim 1 V_{pp}/4 \mu m$	≥ 300 kHz	Homing track Limit switches		LIF 481	
	140 to 27040 mm	DC 3.6 to 14 V	–	–	0.001 μm (1 nm)	EnDat 2.2/22	LIC 4015	Product Information: <i>LIC 4000</i>
	140 to 6040 mm						LIC 4017	
	140 to 30040 mm	DC 5 V ± 5 %	$\sim 1 V_{pp}/20 \mu m$	≥ 400 kHz	Limit switches		LIDA 485	Catalog: <i>Exposed Linear Encoders</i>
	240 to 6040 mm						LIDA 487	
	Up to 10000 mm	DC 5 V ± 5 %	$\sim 1 V_{pp}/200 \mu m$	≥ 50 kHz	–		LIDA 287	
	Measuring range 68 mm x 68 mm	DC 5 V ± 5 %	$\sim 1 V_{pp}/4 \mu m$	≥ 300 kHz	–		PP 281	

Selection Guide

Sealed Linear Encoders for Linear Drives

Protection: IP 53 to IP 64¹⁾ (EN 60529)

Series	Overall dimensions	Traversing speed	Acceleration in measuring direction	Natural frequency of coupling	Measuring lengths
Linear encoders with slimline scale housing					
LF		≤ 30 m/min	≤ 30 m/s ²	≥ 2000 Hz	50 to 1220 mm
LC Absolute linear encoder		≤ 180 m/min	≤ 100 m/s ²	≥ 2000 Hz	70 to 2040 mm
Linear encoders with full-size scale housing					
LF		≤ 60 m/min	≤ 100 m/s ²	≥ 780 Hz	140 to 3040 mm
LC Absolute linear encoder		≤ 180 m/min	≤ 100 m/s ²	≥ 2000 Hz	140 to 4240 mm
LB		≤ 120 m/min (180 m/min upon request)	≤ 60 m/s ²	≥ 650 Hz	440 to 30040 mm

- 1) After installation according to mounting instructions
- 2) Interfaces for Fanuc and Mitsubishi controls upon request
- 3) Depending on the adapter cable

Accuracy grade	Power supply	Incremental signals		Absolute position values		Model	For more information
		Output signals/ signal period	Cutoff frequency -3 dB	Resolution	Data interface ²⁾		
To ± 3 μm	DC 5 V ± 5%	~ 1 V _{pp} /4 μm	≥ 200 kHz	-		LF 481	Catalog: Linear Encoders for Numerically Controlled Machine Tools
To ± 3 μm	DC 3.6 to 5.25 V	~ 1 V _{pp} ³⁾ /20 μm	≥ 150 kHz	To 0.005 μm	EnDat 2.2	LC 483	
± 2 μm	DC 5 V ± 5%	~ 1 V _{pp} /4 μm	≥ 200 kHz	-		LF 183	Catalog: Linear Encoders for Numerically Controlled Machine Tools
To ± 3 μm	DC 3.6 to 5.25 V	~ 1 V _{pp} ³⁾ /20 μm	≥ 150 kHz	To 0.005 μm	EnDat 2.2	LC 183	
To ± 5 μm	DC 5 V ± 5%	~ 1 V _{pp} /40 μm	≥ 250 kHz	-		LB 382	

Rotary Encoders and Angle Encoders for Three-Phase AC and DC Motors

General Information

Speed stability

To ensure **smooth drive performance**, an encoder must provide a **large number of measuring steps per revolution**. The encoders in the HEIDENHAIN product program are therefore designed to supply the necessary numbers of signal periods per revolution to meet the speed stability requirement.

HEIDENHAIN rotary and angular encoders featuring integral bearings and stator couplings provide very good performance: shaft misalignment within certain tolerances (see *Specifications*) do not cause any position error or impair speed stability.

At low speeds, the **position error of the encoder within one signal period** affects speed stability. In encoders with purely serial data transmission, the LSB (Least Significant Bit) goes into the speed stability. (See also *Measuring Accuracy*.)

Transmission of measuring signals

To ensure the best possible dynamic performance with digitally controlled motors, the sampling time of the speed controller should not exceed approx. 256 μs . The feedback values for the position and speed controller must therefore be available in the controlling system with the least possible delay.

High clock frequencies are needed to fulfill such demanding time requirements on position values transfer from the encoder to the controlling system with a serial data transmission (see also *Interfaces; Absolute Position Values*). HEIDENHAIN encoders for electric drives therefore provide the position values via the fast, purely serial EnDat 2.2 interface, or transmit additional **incremental signals**, which are available immediately for use in the subsequent electronics for speed and position control.

For **standard drives**, manufacturers primarily use HEIDENHAIN absolute encoders without integral bearing (ECI/EQI) or rotary encoders with **TTL or HTL compatible output signals**—as well as additional commutation signals for permanent-magnet DC drives.

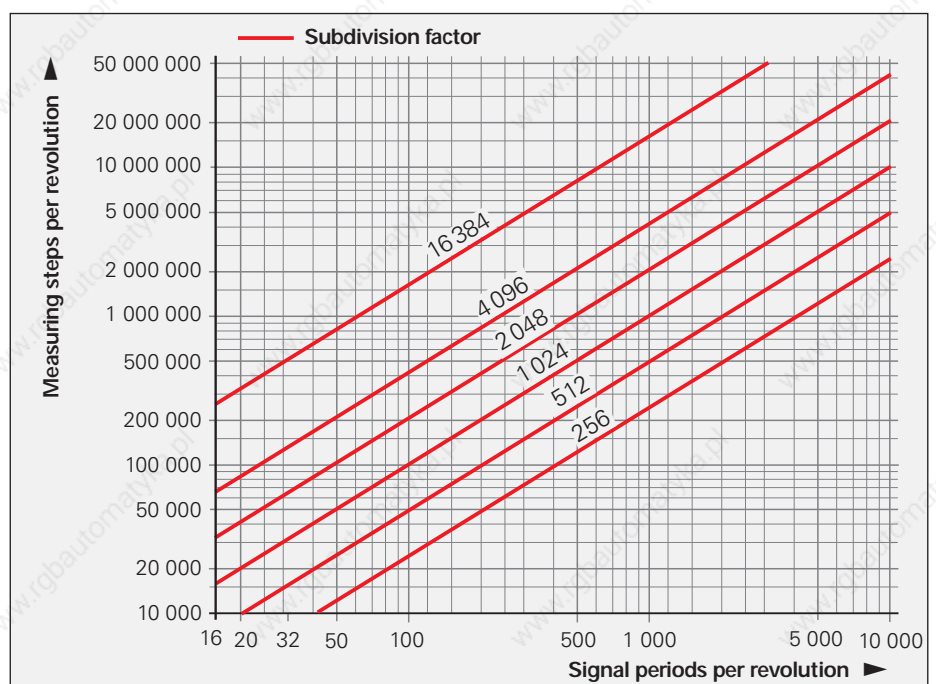
For **digital speed control** on machines with **high requirements for dynamics**, a large number of measuring steps is required—usually above 500 000 per revolution.

For applications with standard drives, as with resolvers, approx. 60 000 measuring steps per revolution are sufficient.

HEIDENHAIN encoders for drives with digital position and speed control therefore provide **sinusoidal incremental signals with signal levels of 1 V_{PP}** which, thanks to their high quality, can be highly interpolated in the subsequent electronics (Diagram 1). For example, a rotary encoder with 2048 signal periods per revolution and a 1024-fold or 4096-fold subdivision in the subsequent electronics produces approx. **2 or 8 million measuring steps per revolution, respectively**. This corresponds to a resolution of 21 (23) bits. Even at shaft speeds of 12 000 min^{-1} , the signal arrives at the input circuit of the controlling system with a frequency of only approx. 400 kHz (Diagram 2). 1-V_{PP} incremental signals permit cable lengths up to 150 meters. (See also *Incremental Signals – 1 V_{PP}*)

Diagram 1:

Signal periods per revolution and the resulting number of measuring steps per revolution as a function of the subdivision factor



HEIDENHAIN absolute encoders for “digital” drives also supply additional sinusoidal incremental signals with the same characteristics as those described above. Absolute encoders from HEIDENHAIN use the EnDat interface (for **Encoder Data**) for the **serial data transmission** of absolute position values and other information for **automatic self-configuration, monitoring and diagnosis**. (See *Absolute Position Values – EnDat*.) This makes it possible to use the same subsequent electronics and cabling technology for all HEIDENHAIN encoders.

Important encoder specifications can be read from the memory of the EnDat encoder for automatic self-configuration, and motor-specific parameters can be saved in the OEM memory area of the encoder. The usable size of the OEM memory on the rotary encoders in the current catalogs is at least 1.4 KB (\cong 704 EnDat words); for the ATEX encoders it is 0.44 KB (\cong 224 EnDat words).

Most absolute encoders themselves already subdivide the sinusoidal scanning signals by a factor of 4096 or greater. If the transmission of absolute positions is fast enough (for example, EnDat 2.1 with 2 MHz or EnDat 2.2 with 8 MHz clock frequency), these systems can do without incremental signal evaluation.

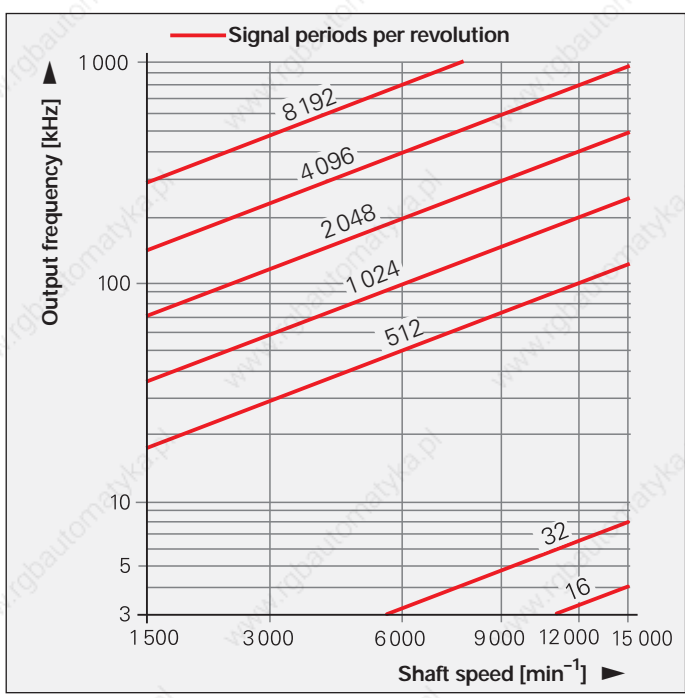
Benefits of this data transmission technology include greater noise immunity of the transmission path and less expensive connectors and cables. Encoders with EnDat2.2 interface offer the additional feature of being able to evaluate an external temperature sensor, located in the motor coil, for example. The digitized temperature values are transmitted as part of the EnDat 2.2 protocol without an additional line.

Bandwidth
The attainable gain for the position and speed control loops, and therefore the bandwidth of the drives for command response and control reliability, are sometimes limited by the rigidity of the coupling between the motor shaft and encoder shaft as well as by the natural frequency of the coupling. HEIDENHAIN therefore offers rotary and angular encoders for high-rigidity shaft coupling. The stator couplings mounted on the encoders have a **high natural frequency** up to 2 kHz. For the inductive rotary encoders, the stator and rotor are firmly screwed to the motor housing and to the shaft. This means that the rigidity of the motor shaft is of the most significance for the attainable natural frequency. (See also *Mechanical Design and Installation*.)

Size
A higher permissible operating temperature permits a smaller motor size for a specific rated torque. Since the temperature of the motor also affects the temperature of the encoder, HEIDENHAIN offers encoders for **permissible operating temperatures up to 120 °C**. These encoders make it possible to design machines with smaller motors.

Power loss and quietness
The power loss of the motor, the accompanying heat generation, and the acoustic noise during operation are influenced by the position error of the encoder within one signal period. For this reason, rotary encoders with a high signal quality of better than $\pm 1\%$ of the signal period are preferred. (See also *Measuring Accuracy*.)

Diagram 2: Shaft speed and resulting output frequency as a function of the number of signal periods per revolution



Linear Encoders for Linear Drives

General Information

Selection criteria for linear encoders

HEIDENHAIN recommends the use of **exposed linear encoders** whenever the severity of contamination inherent in a particular machine environment does not preclude the use of optical measuring systems, and if relatively high accuracy is desired, e.g. for high-precision machine tools and measuring equipment, or for production, testing and inspecting equipment in the semiconductor industry.

Particularly for applications on machine tools that release coolants and lubricants, HEIDENHAIN recommends **sealed linear encoders**. Here the requirements on the mounting surface and on machine guideway accuracy are less stringent than for exposed linear encoders, and therefore installation is faster.

Speed stability

To ensure smooth-running servo performance, the linear encoder must permit a resolution commensurate with the given speed control range:

- On handling equipment, resolutions in the range of several microns are sufficient.
- Feed drives for machine tools need resolutions of 0.1 μm and finer.
- Production equipment in the semiconductor industry requires resolutions of a few nanometers.

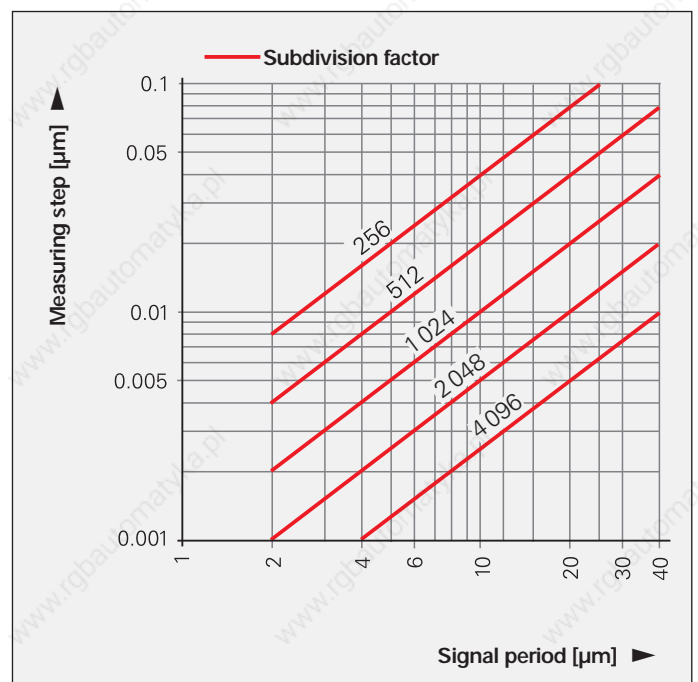
At low traversing speeds, the **position error within one signal period** has a decisive influence on the speed stability of linear motors. (See also *Measuring Accuracy*.)

Traversing speeds

Exposed linear encoders function without contact between the scanning head and the scale. The maximum permissible traversing speed is limited only by the cutoff frequency (-3 dB) of the output signals.

On sealed linear encoders, the scanning unit is guided along the scale on a ball bearing. Sealing lips protect the scale and scanning unit from contamination. The ball bearing and sealing lips permit mechanical traversing speeds up to **180 m/min**.

Signal period and resulting measuring step as a function of the subdivision factor



Transmission of measuring signals

The information above on rotary and angle encoder signal transmission essentially applies also to linear encoders. If, for example, one wishes to traverse at a minimum velocity of 0.01 m/min with a sampling time of 250 μ s, and if one assumes that the measuring step should change by at least one measuring step per sampling cycle, then one needs a measuring step of approx. 0.04 μ m. To avoid the need for special measures in the subsequent electronics, input frequencies should be limited to less than 1 MHz.

Linear encoders with sinusoidal output signals are therefore best suited for high traversing speeds and small measuring steps. Sinusoidal voltage signals with levels of **1 V_{pp}** attain a -3 dB cutoff frequency of approx. 200 kHz and more at a permissible cable length of up to 150 m.

The figure below illustrates the relationship between output frequency, traversing speeds, and signal periods of linear encoders. Even at a signal period of 4 μ m and a traversing velocity of 70 m/min, the frequency reaches only 300 kHz.

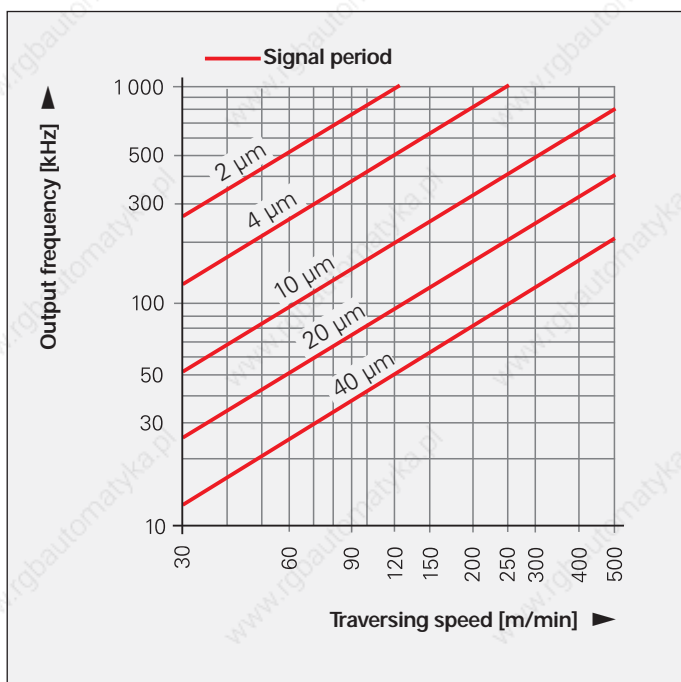
Bandwidth

On linear motors, a coupling lacking in rigidity can limit the bandwidth of the position control loop. The manner in which the linear encoder is mounted on the machine has a very significant influence on the rigidity of the coupling. (See *Design Types and Mounting*.)

On sealed linear encoders, the scanning unit is guided along the scale. A coupling connects the scanning carriage with the mounting block and compensates the misalignment between the scale and the machine guideways. This permits relatively large mounting tolerances. The coupling is very rigid in the measuring direction and is flexible in the perpendicular direction. If the coupling is insufficiently rigid in the measuring direction, it could cause low natural frequencies in the position and velocity control loops and limit the bandwidth of the drive.

The sealed linear encoders recommended by HEIDENHAIN for linear motors generally have a **natural frequency of coupling greater than 650 Hz or 2 kHz** in the measuring direction, which in most applications exceeds the mechanical natural frequency of the machine and the bandwidth of the velocity control loop by factors of at least 5 to 10. HEIDENHAIN linear encoders for linear motors therefore have practically no limiting effect on the position and speed control loops.

Traversing speed and resulting output frequency as a function of the signal period



For more information on linear encoders for linear drives, refer to our catalogs *Exposed Linear Encoders* and *Linear Encoders for Numerically Controlled Machine Tools*.

Safety-Related Position Measuring Systems

With the designation **Functional Safety**, HEIDENHAIN offers safety-related position measuring systems that are based on pure serial data transfer via EnDat 2.2 and can be used in safety-oriented applications. A safety-related position measuring system can be used as a single-encoder system in conjunction with a safe control in applications with control category SIL-2 (according to EN 61 508/EN 61 800-5-2) or performance level "d" (according to EN ISO 13849). Reliable transmission of the position is based on two independently generated absolute position values and on error bits. These are then provided to the safe control.

Basic principle

HEIDENHAIN measuring systems for safety-oriented applications are tested for compliance with EN ISO 13849-1 (successor to EN 954-1) as well as EN 61 508 and EN 61 800-5-2. These standards describe the assessment of safety-oriented systems, for example based on the failure probabilities of integrated components and subsystems.

This modular approach helps manufacturers of safety-oriented systems to implement their complete systems, because they can begin with subsystems that have already been qualified. Safety-related position measuring systems with purely serial data transmission via EnDat 2.2 accommodate this technique.

In a safe drive, the safety-related position measuring system is such a subsystem.

A **safety-related position measuring system** consists of:

- Encoder with EnDat 2.2 transmission component
- Data transmission line with EnDat 2.2 communication and HEIDENHAIN cable
- EnDat 2.2 receiver component with monitoring function (EnDat master)

In practice, the **complete "safe servo drive" system** consists of:

- Safety-related position measuring system
- Safety-oriented control (including EnDat master with monitoring functions)
- Power stage with motor power cable and drive
- Physical connection between encoder and drive (e.g. shaft connection/coupling)

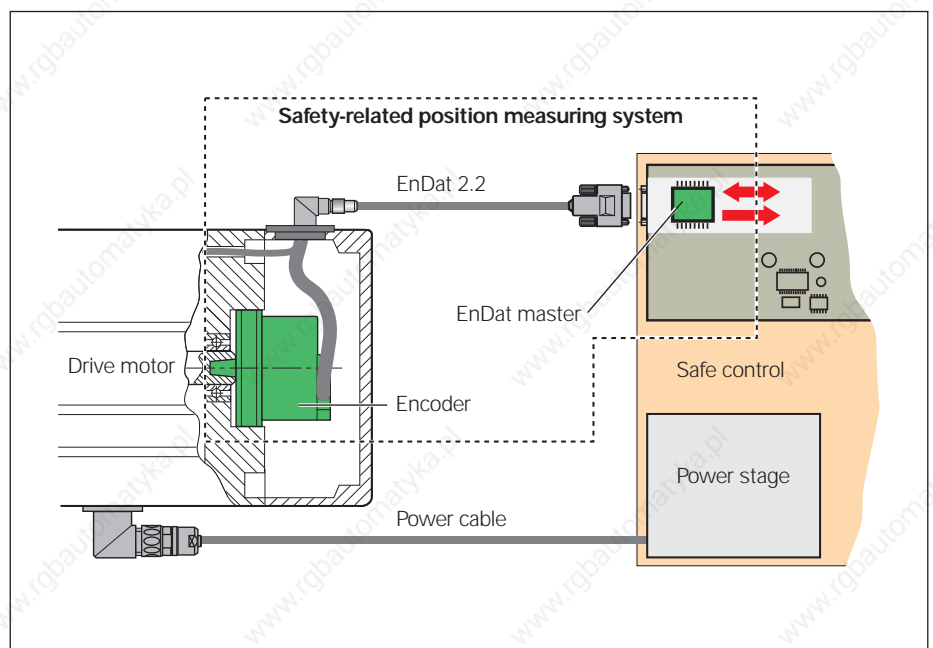
Field of application

Safety-related position measuring systems from HEIDENHAIN are designed so that they can be used as single-encoder systems in applications with control category SIL-2 (according to EN 61 508).

This corresponds to performance level "d" of EN ISO 13849 or category 3 (according to EN 954-1). Also, the functions of the safety-related position measuring system can be used for the safety functions in the complete system (also see EN 61 800-5-2) as listed in the table below:

SS1	Safe Stop 1	Safe Stop 1
SS2	Safe Stop 2	Safe Stop 2
SOS	Safe Operating Stop	Safe Operating Stop
SLA	Safely Limited Acceleration	Safely Limited Acceleration
SAR	Safe Acceleration Range	Safe Acceleration Range
SLS	Safely Limited Speed	Safely Limited Speed
SSR	Safe Speed Range	Safe Speed Range
SLP	Safely Limited Position	Safely Limited Position
SLI	Safely Limited Increment	Safely Limited Increment
SDI	Safe Direction	Safe Direction
SSM	Safe Speed Monitor	Safe report of the limited speed

Safety functions according to EN 61 800-5-2



Complete safe drive system

Function

The safety strategy of the position measuring system is based on two mutually independent position values and additional error bits produced in the encoder and transmitted over the EnDat 2.2 protocol to the EnDat master. The EnDat master assumes various monitoring functions with which errors in the encoder and during transmission can be revealed. The two position values are then compared. The EnDat master then makes the data available to the safe control. The control periodically tests the safety-related position measuring system to monitor its correct operation.

The architecture of the EnDat 2.2 protocol makes it possible to process all safety-relevant information and control mechanisms during unconstrained controller operation. This is possible because the safety-relevant information is saved in the additional information. According to EN 61508, the architecture of the position measuring system is regarded as a single-channel tested system.

Documentation on the integration of the position measuring system

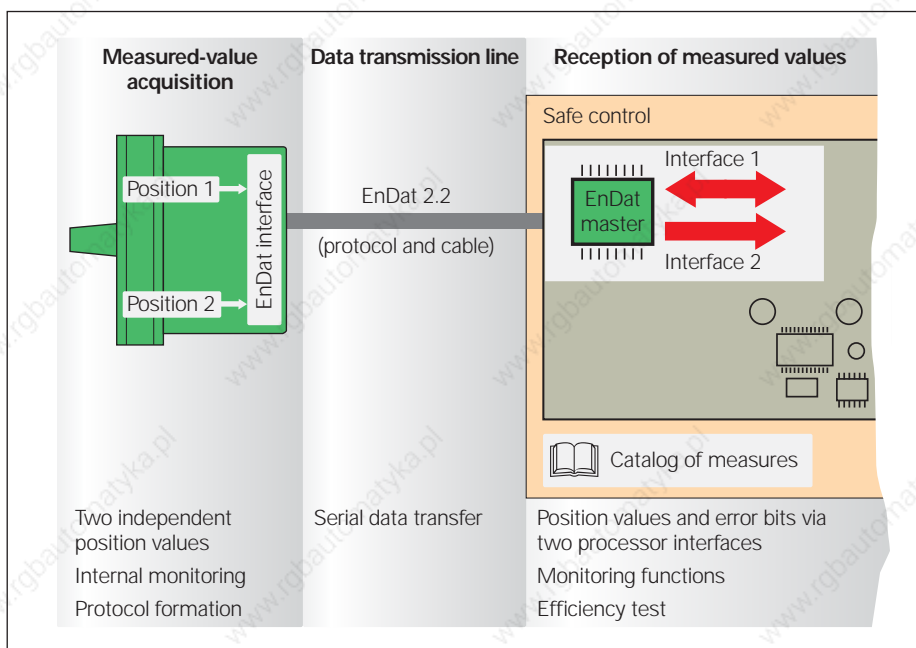
The intended use of position measuring systems places demands on the control, the machine designer, the installation technician, service, etc. The necessary information is provided in the documentation for the position measuring systems.

In order to be able to implement a position measuring system in a safety-oriented application, a suitable control is required. The control assumes the fundamental task of communicating with the encoder and safely evaluating the encoder data.

The requirements for integrating the EnDat master with monitoring functions in the safe control are described in the document **"Specification of the E/E/PES safety requirements for the EnDat master and measures for safe control" (document 533095)**. It contains, for example, specifications on the evaluation and processing of position values and error bits, and on electrical connection and cyclic tests of position measuring systems.

Machine and plant manufacturers need not attend to these details. These functions must be provided by the control. Product information sheets, catalogs and mounting instructions provide information to aid the selection of a suitable encoder. The **product information sheets** and **catalogs** contain general data on function and application of the encoders as well as specifications and permissible ambient conditions. The **mounting instructions** provide detailed information on installing the encoders.

The architecture of the safety system and the diagnostic possibilities of the control may call for further requirements. For example, the operating instructions of the control must explicitly state whether fault exclusion is required for the loosening of the mechanical connection between the encoder and the drive. The machine designer is obliged to inform the installation technician and service technicians, for example, of the resulting requirements (see also information under "Safety-Related Characteristic Values").



For more information on the topic of Functional Safety, refer to the Technical Information documents *Safety-Related Position Measuring Systems* and *Safety-Related Control Technology* as well as the Product Information document of the Functional Safety encoders.

Safety-related position measuring system

Measuring Principles

Measuring Standard

HEIDENHAIN encoders with optical scanning incorporate measuring standards of periodic structures known as graduations.

These graduations are applied to a carrier substrate of glass or steel. The scale substrate for large diameters is a steel tape.

HEIDENHAIN manufactures the precision graduations in specially developed, photolithographic processes.

- AURODUR: Matte-etched lines on gold-plated steel tape with grating periods of typically 40 μm
- METALLUR: Contamination-tolerant graduation of metal lines on gold, with typical graduation period of 20 μm
- DIADUR: Extremely robust chromium lines on glass (typical graduation period 20 μm) or three-dimensional chrome structures (typical graduation period of 8 μm) on glass
- SUPRADUR phase grating: optically three dimensional, planar structure; particularly tolerant to contamination; typical graduation period of 8 μm and less
- OPTODUR phase grating: optically three dimensional, planar structure with particularly high reflectance, typical graduation period of 2 μm and less.

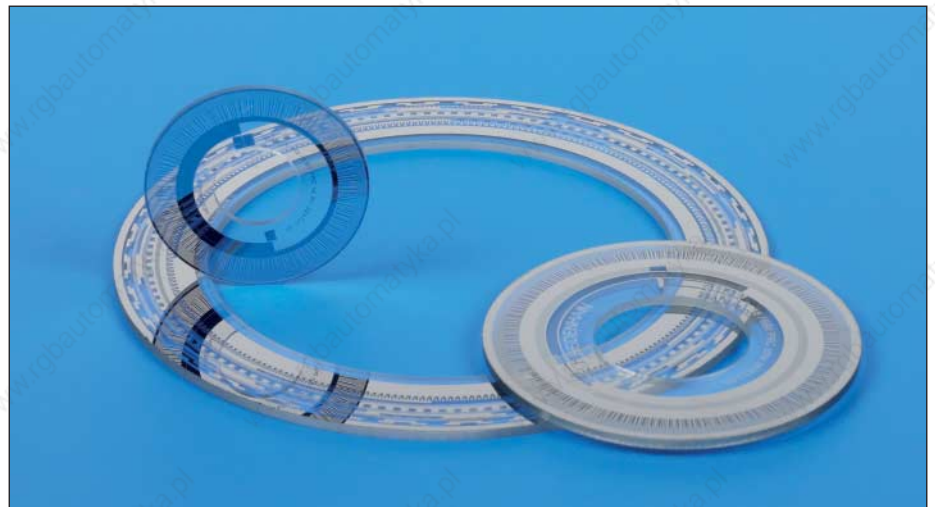
Magnetic encoders use a graduation carrier of magnetizable steel alloy. A graduation consisting of north poles and south poles is formed with a grating period of 400 μm . Due to the short distance of effect of electromagnetic interaction, and the very narrow scanning gaps required, finer magnetic graduations are not practical.

Encoders using the inductive scanning principle have graduation structures of copper. The graduation is applied to a carrier material for printed circuits.

With the **absolute measuring method**, the position value is available from the encoder immediately upon switch-on and can be called at any time by the subsequent electronics. There is no need to move the axes to find the reference position. The absolute position information is read from the **grating on the circular scale**, which is designed as a serial code structure or consists of several parallel graduation tracks.

A separate incremental track or the track with the finest grating period is interpolated for the position value and at the same time is used to generate an optional incremental signal.

In **singleturn encoders**, the absolute position information repeats itself with every revolution. **Multiturn encoders** can also distinguish between revolutions.

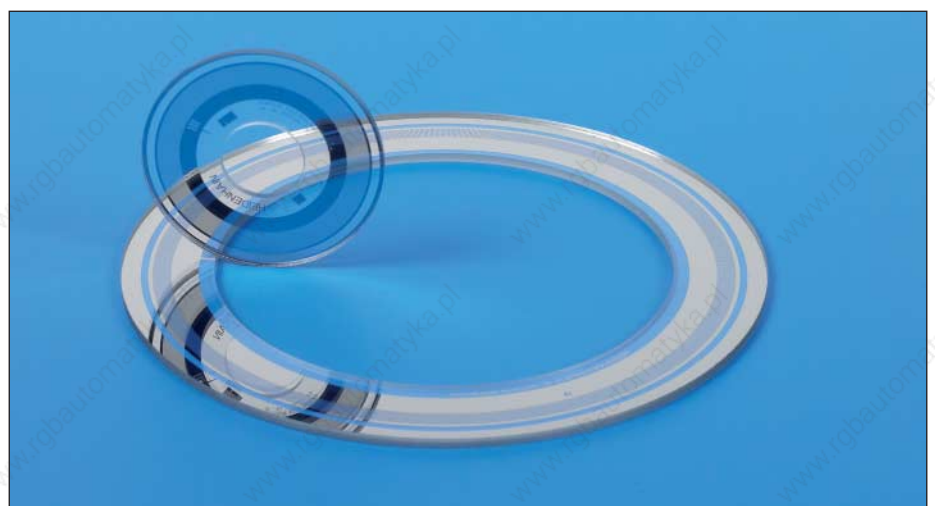


Circular graduations of absolute rotary encoders

With the **incremental measuring method**, the graduation consists of a periodic grating structure. The position information is obtained **by counting** the individual increments (measuring steps) from some point of origin. Since an absolute reference is required to ascertain positions, the graduated disks are provided with an additional track that bears a **reference mark**.

The absolute position established by the reference mark is gated with exactly one measuring step.

The reference mark must therefore be scanned to establish an absolute reference or to find the last selected datum.



Circular graduations of incremental rotary encoders

Scanning Methods

Photoelectric scanning

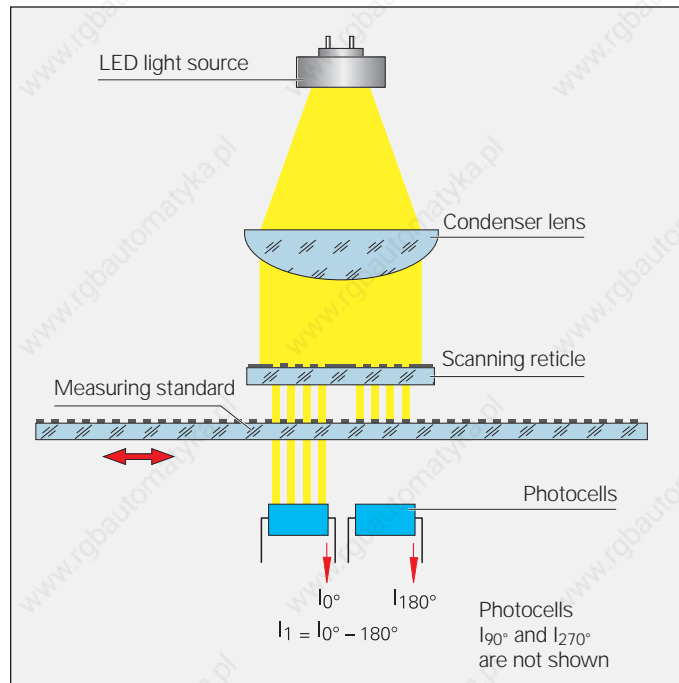
Most HEIDENHAIN encoders operate using the principle of photoelectric scanning. Photoelectric scanning of a measuring standard is contact-free, and as such, free of wear. This method detects even very fine lines, no more than a few microns wide, and generates output signals with very small signal periods.

The ERN, ECN, EQN, ERO and ROD, RCN, RQN rotary encoders use the imaging scanning principle.

Put simply, the imaging scanning principle functions by means of projected-light signal generation: two graduations with equal or similar grating periods are moved relative to each other—the scale and the scanning reticle. The carrier material of the scanning reticle is transparent, whereas the graduation on the measuring standard may be applied to a transparent or reflective surface.

When parallel light passes through a grating, light and dark surfaces are projected at a certain distance. An index grating with the same or similar grating period is located here. When the two gratings move in relation to each other, the incident light is modulated: if the gaps are aligned, light passes through. If the lines of one grating coincide with the gaps of the other, no light passes through. Photovoltaic cells or a structured photosensor convert these variations in light intensity into nearly sinusoidal electrical signals. Practical mounting tolerances for encoders with the imaging scanning principle are achieved with grating periods of 10 µm and larger.

The ECN 1325 and EQN 1337 absolute rotary encoders with optimized scanning have a single large photosensor instead of a group of individual photoelements. Its structures have the same width as that of the measuring standard. This makes it possible to do without the scanning reticle with matching structure.



Photoelectric scanning according to the imaging scanning principle

Other scanning principles

Some encoders function according to other scanning methods. ERM encoders use a permanently magnetized MAGNODUR graduation that is scanned with magnetoresistive sensors.

ECI/EQI/EBI rotary encoders operate according to the inductive measuring principle. Here, moving graduation structures modulate a high-frequency signal in its amplitude and phase. The position value is always formed by sampling the signals of all receiver coils distributed evenly around the circumference.

Electronic Commutation with Position Encoders

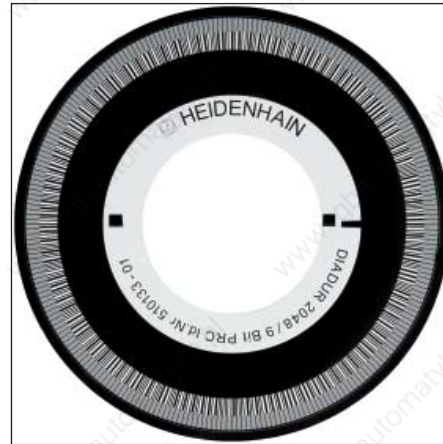
Commutation in permanent-magnet three-phase motors

Before start-up, permanent-magnet three-phase motors must have an absolute position value available for electrical commutation. HEIDENHAIN rotary encoders are available with different types of rotor position recognition:

- **Absolute rotary encoders** in singleturn and multiturn versions provide the absolute position information immediately after switch-on. This makes it immediately possible to derive the exact position of the rotor and use it for electronic commutation.
- **Incremental rotary encoders with a second track—the Z1 track**—provide one sine and one cosine signal (C and D) for each motor shaft revolution in addition to the incremental signals. For sine commutation, rotary encoders with a Z1 track need only a subdivision unit and a signal multiplexer to provide both the absolute rotor position from the Z1 track with an accuracy of $\pm 5^\circ$ and the position information for speed and position control from the incremental track (see also *Interfaces—Commutation signals*).
- **Incremental rotary encoders with block commutation tracks** also output three commutation signals U, V and W, which are used to drive the power electronics directly. These encoders are available with various commutation tracks. Typical versions provide 3 signal periods (120° mech.) or 4 signal periods (90° mech.) per commutation and revolution. Independently of these signals, the incremental square-wave signals serve for position and speed control. (See also *Interfaces—Commutation signals*.)

Commutation of synchronous linear motors

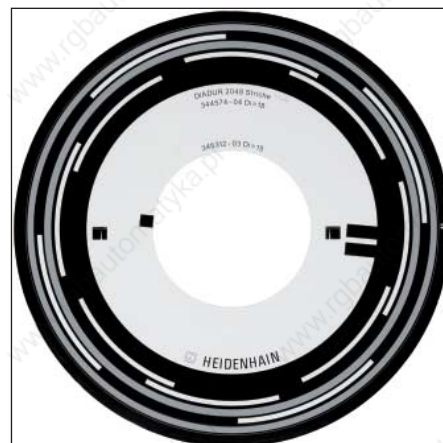
Like absolute rotary and angular encoders, absolute linear encoders of the LC series provide the exact position of the moving motor part immediately after switch-on. This makes it possible to start with maximum holding load on vertical axes even at a standstill.



Circular scale with serial code track and incremental track



Circular scale with Z1 track



Circular scale with block commutation tracks

Keep in mind the switch-on behavior of the encoders (see *General Electrical Information*).

Measuring Accuracy

The quantities influencing the accuracy of **linear encoders** are listed in the *Linear Encoders for Numerically Controlled Machine Tools* and *Exposed Linear Encoders* catalogs.

The **accuracy of angular measurement** is mainly determined by:

1. Quality of the graduation
2. Scanning quality
3. Quality of the signal processing electronics
4. Eccentricity of the graduation to the bearing
5. Error due to radial deviation of the bearing
6. Elasticity of the encoder shaft and coupling with the drive shaft
7. Elasticity of the stator coupling (ERN, ECN, EQN) or shaft coupling (ROD, ROC, ROQ)

In positioning tasks, the accuracy of the angular measurement determines the accuracy of the positioning of a rotary axis. The **system accuracy** given in the Specifications applies to a temperature of 20 °C, and is defined as follows:

The extreme values of the total error of a position—with respect to the mean value—are within the system accuracy $\pm a$.

- For rotary encoders with integral bearing and integrated stator coupling, this value also includes the deviation due to the shaft coupling.

- For rotary encoders with integral bearing and separate shaft coupling, the angle error of the coupling must be added.
- For rotary encoders without integral bearing, deviations resulting from mounting, from the bearing of the drive shaft, and from adjustment of the scanning head must be expected in addition to the system error (see next page).

The system accuracy reflects position errors within one revolution as well as those within one signal period.

Position error within one revolution becomes apparent in larger angular motions.

Position deviations within one signal period already become apparent in very small angular motions and in repeated measurements. They especially lead to speed ripples in the rotational-speed control loop. HEIDENHAIN rotary encoders with integral bearing permit interpolation of the sinusoidal output signal with subdivision accuracies of better than $\pm 1\%$ of the signal period.

Example

Rotary encoder with 2048 sinusoidal signal periods per revolution:

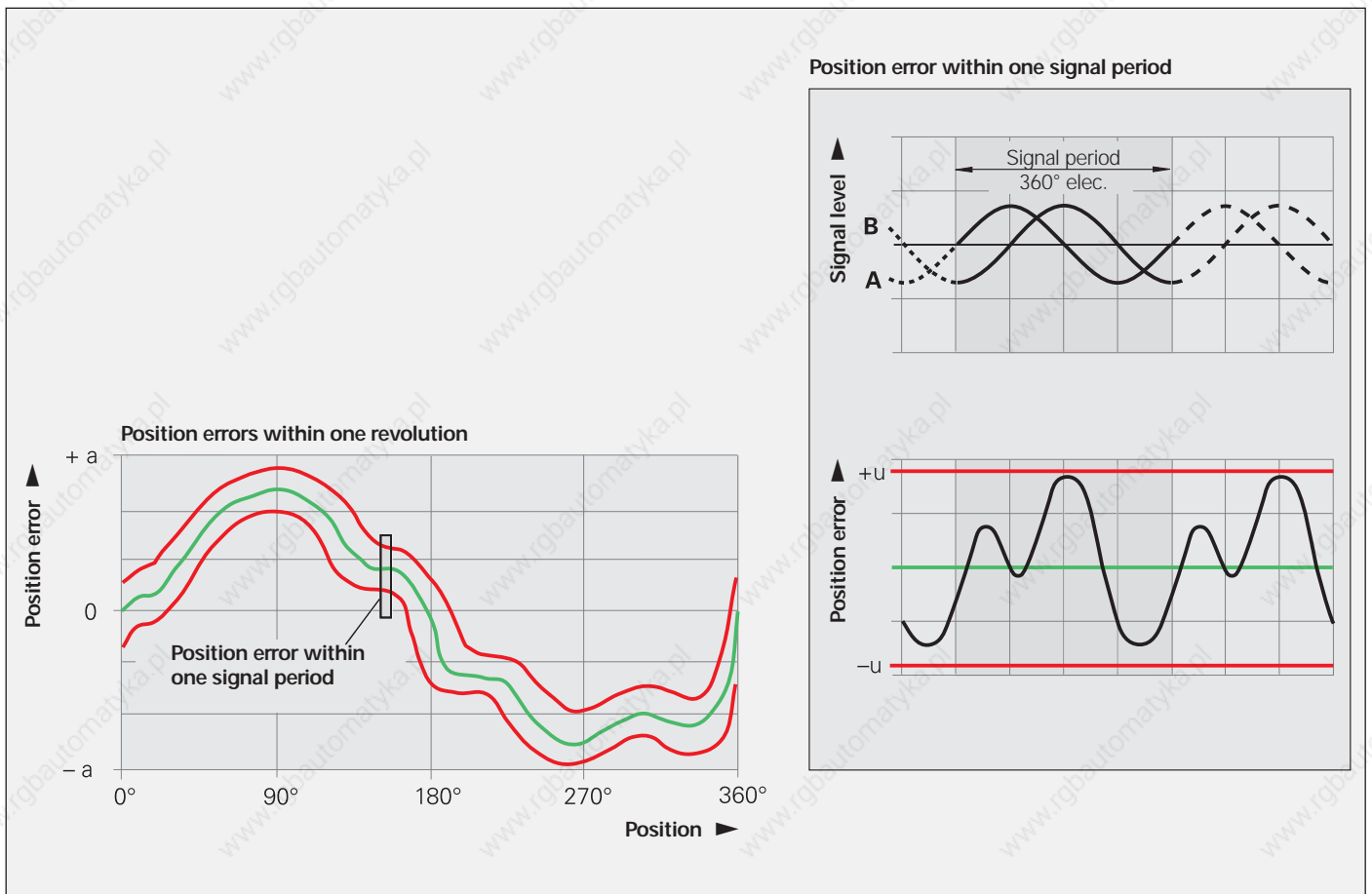
One signal period corresponds to approx. 600".

This results in maximum position deviations within one signal period of approx. $\pm 6''$.

The position error of the encoder within one signal period always affects the calculation of the actual speed on the basis of the actual position values of two successive sampling cycles. The position error of the encoder within one revolution is relevant for the speed control loop only if no more than a few actual position values per revolution are being evaluated. For example: a sampling time of 250 μs and a speed of $n \approx 24000 \text{ min}^{-1}$ result in only 10 samples per revolution.

Temperatures as high as 120 °C, which can typically be found in motors, cause only a very small position error in HEIDENHAIN encoders.

Encoders with square-wave output signals have a position error of approx. $\pm 3\%$ of the signal period. These signals are suitable for up to 100-fold phase-locked loop subdivision.



Measuring Accuracy

Rotary Encoders without Integral Bearing

Rotary Encoders with Photoelectric Scanning

In addition to the system accuracy, the mounting and adjustment of the scanning head normally have a significant effect on the accuracy that can be achieved by rotary encoders without integral bearings with photoelectric scanning. Of particular importance are the mounting eccentricity and radial runout of the measured shaft.

Example

ERO 1420 rotary encoder with a mean graduation diameter of 24.85 mm:
A radial runout of the measured shaft of 0.02 mm results in a position error within one revolution of ± 330 angular seconds.

To evaluate the **accuracy of modular rotary encoders without integral bearing** (ERO), each of the significant errors must be considered individually.

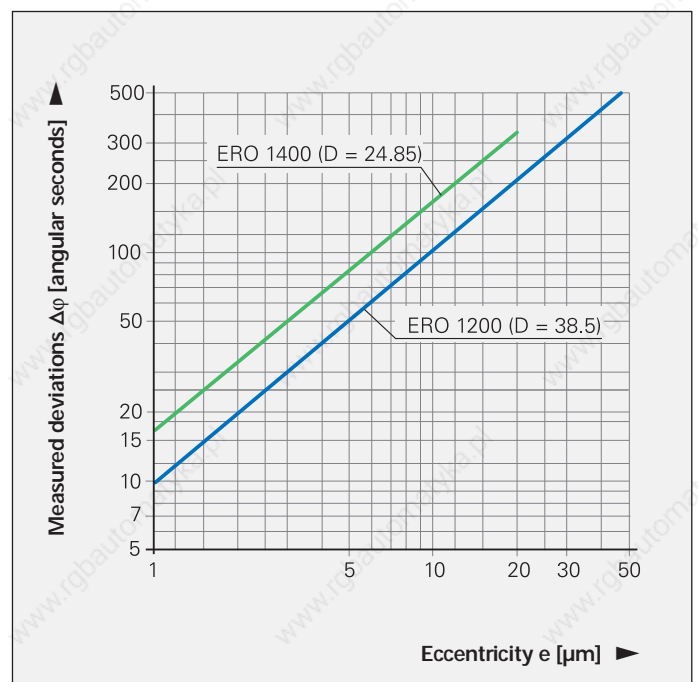
1. Directional deviations of the graduation

ERO: The extreme values of the directional deviation with respect to their mean value are shown in the *Specifications* as the graduation accuracy for each model. The graduation accuracy and the position error within a signal period comprise the system accuracy.

2. Errors due to eccentricity of the graduation to the bearing

Under normal circumstances, the bearing will have a certain amount of radial deviation or geometric error after the disk/hub assembly is mounted. When centering using the centering collar of the hub, please note that, for the encoders listed in this catalog, HEIDENHAIN guarantees an eccentricity of the graduation to the centering collar of under $5 \mu\text{m}$. For the modular rotary encoders, this accuracy value presupposes a diameter deviation of zero between the drive shaft and the "master shaft."

If the centering collar is centered on the bearing, then in a worst-case situation both eccentricity vectors could be added together.



Resultant measured deviations $\Delta\phi$ for various eccentricity values e as a function of mean graduation diameter D

The following relationship exists between the eccentricity e , the mean graduation diameter D and the measuring error $\Delta\phi$ (see illustration below):

$$\Delta\phi = \pm 412 \cdot \frac{e}{D}$$

$\Delta\phi$ = Measuring error in " (angular seconds)

e = Eccentricity of the radial grating to the bearing in μm

D = Mean graduation diameter in mm

Model	Mean graduation diameter D	Error per 1 μm of eccentricity
ERO 1420 ERO 1470 ERO 1480	$D = 24.85 \text{ mm}$	$\pm 16.5''$
ERO 1225 ERO 1285	$D = 38.5 \text{ mm}$	$\pm 10.7''$

3. Error due to radial deviation of the bearing

The equation for the measuring error $\Delta\phi$ is also valid for radial deviation of the bearing if the value e is replaced with the eccentricity value, i.e. half of the radial deviation (half of the displayed value).

Bearing compliance to radial shaft loading causes similar errors.

4. Position error within one signal period $\Delta\phi_u$

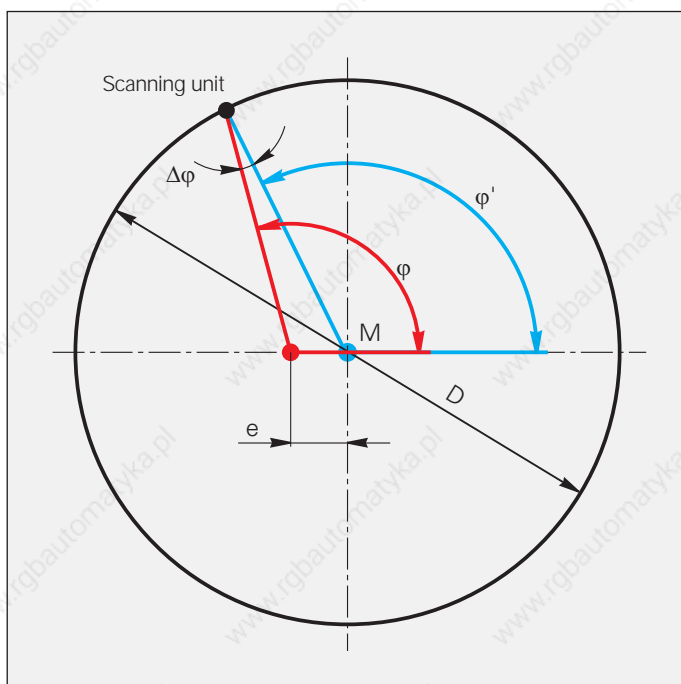
The scanning units of all HEIDENHAIN encoders are adjusted so that without any further electrical adjustment being necessary while mounting, the maximum position error values within one signal period will not exceed the values listed below.

Model	Line count	Position error within one signal period $\Delta\phi_u$	
		TTL	1 V _{PP}
ERO	2048	$\leq \pm 19.0''$	$\leq \pm 6.5''$
	1500	$\leq \pm 26.0''$	$\leq \pm 8.7''$
	1024	$\leq \pm 38.0''$	$\leq \pm 13.0''$
	1000	$\leq \pm 40.0''$	$\leq \pm 14.0''$
	512	$\leq \pm 76.0''$	$\leq \pm 25.0''$

The values for the position errors within one signal period are already included in the system accuracy. Larger errors can occur if the mounting tolerances are exceeded.

Rotary Encoders with Inductive Scanning

For rotary encoders without integrated bearing with inductive scanning, the attainable accuracy depends on the power supply, the temperature, the rotational speed, the working gap between the rotor and stator, and on the mounting conditions. Further information is available upon request.



Measuring error $\Delta\phi$ as a function of the mean graduation diameter D and the eccentricity e

M Center of graduation
 ϕ "True" angle
 ϕ' Scanned angle

Mechanical Design Types and Mounting

Rotary Encoders with Integral Bearing and Stator Coupling

ECN/EQN/ERN rotary encoders have integrated bearings and a mounted stator coupling. The encoder shaft is directly connected with the shaft to be measured. During angular acceleration of the shaft, the stator coupling must absorb only that torque caused by friction in the bearing. ECN/EQN/ERN rotary encoders therefore provide excellent dynamic performance and a high natural frequency.

Benefits of the stator coupling:

- No axial mounting tolerances between shaft and stator housing for ExN 1300 and ExN 1100
- High natural frequency of the coupling
- High torsional rigidity of shaft coupling
- Low mounting or installation space requirement
- Simple installation

Mounting the ECN/EQN/ERN 1100 and ECN/EQN/ERN 1300

The blind hollow shaft or the taper shaft of the encoder is connected at its end through a central screw with the measured shaft. The encoder is centered on the motor shaft by the hollow shaft or taper shaft. The stator of the encoder is clamped in a location hole by an axially tightened screw.

Mounting the ECN/EQN/ERN 1000 and ERN 1x23

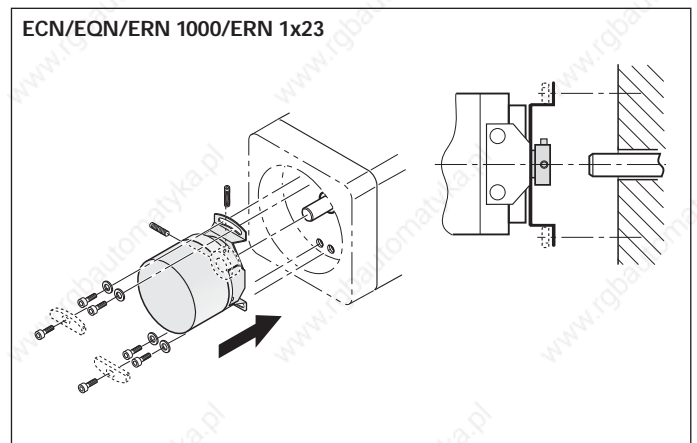
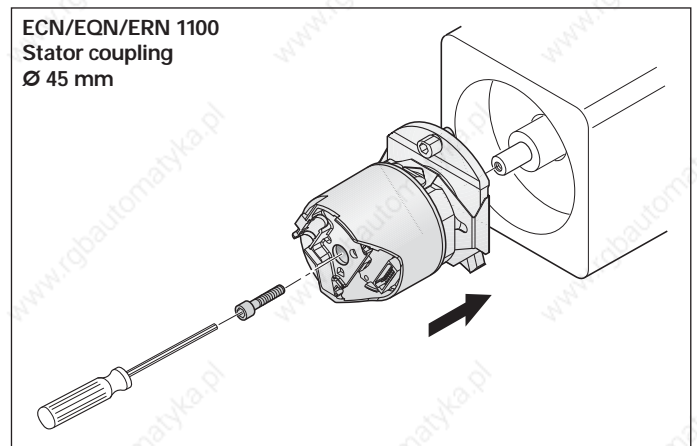
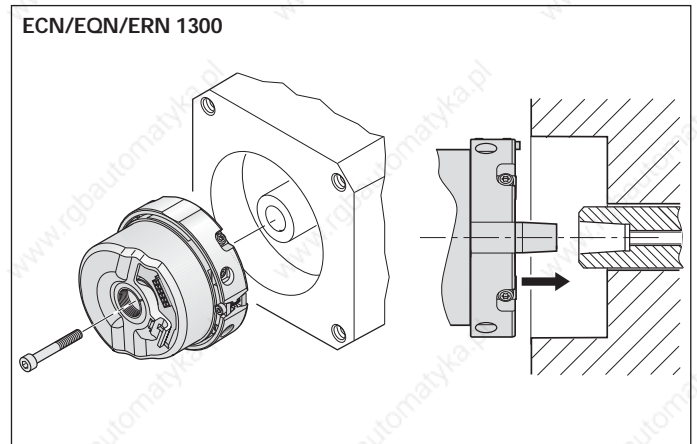
The rotary encoder is slid by its hollow shaft onto the measured shaft and fastened by two screws or three eccentric clamps. The stator is mounted without a centering flange to a flat surface with four cap screws or with 2 cap screws and special washers.

The ECN/EQN/ERN 1000 feature a blind hollow shaft, the ERN 1123 a hollow through shaft

Mounting accessories for the ECN/EQN/ERN 1000

Washer

For increasing the natural frequency f_E and mounting with only two screws.
ID 334 653-01 (2 pieces)



Mounting accessories

Screwdriver bits

For HEIDENHAIN shaft couplings,
for ExN shaft and stator couplings
For ERO shaft couplings

Width across flats	Length	ID
1.5	70 mm	350378-01
1.5 (ball head)		350378-02
2		350378-03
2 (ball head)		350378-04
2,5		350378-05
3 (ball head)		350378-08
4		350378-07
4 (with dog point ¹⁾)		350378-14
TX8	89 mm	350378-11
	152 mm	350378-12

¹⁾ For screws as per DIN 6912 (low head screw with pilot recess)

Screwdriver

Adjustable torque

0.2 Nm to 1.2 Nm ID 350379-04

1 Nm to 5 Nm ID 350379-05

Extraction tool

For removing the PCB connector from the
ERN 1120, ERN 1180 and ERN 1123
ID 592818-01



Mechanical Design Types and Mounting

Rotary Encoders without Integral Bearing

The **ERO, ECI/EQI** rotary encoders without integral bearing consist of a scanning head and a graduated disk, which must be adjusted to each other very exactly. A precise adjustment is an important factor for the attainable measuring accuracy.

The **ERO** modular rotary encoders consist of a graduated disk with hub and a scanning unit. They are particularly well suited for applications with limited installation space and negligible axial and radial runout, or for applications where friction of any type must be avoided.

In the **ERO 1200** series, the disk/hub assembly is slid onto the shaft and adjusted to the scanning unit. The scanning unit is aligned on a centering collar and fastened on the mounting surface.

The **ERO 1400** series consists of miniature modular encoders. These rotary encoders have a special built-in **mounting aid** that centers the graduated disk to the scanning unit and adjusts the gap between the disk and the scanning reticle. This makes it possible to install the encoder in a very short time. The encoder is supplied with a cover cap for protection from extraneous light.

Mounting accessories for ERO 1400

Mounting accessories

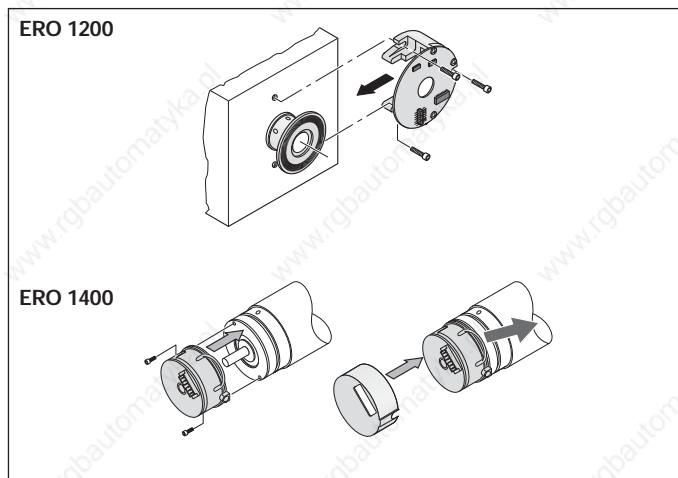
Aid for removing the clip for optimal encoder mounting.
ID 510 175-01

Accessory

Housing for ERO 14xx with axial PCB connector and central hole
ID 331 727-23

Special mounting information is to be considered for the **ECI/EQI** inductive rotary encoder without integral bearing. Special mounting training is required.

The **ECI 119** rotary encoder is prealigned on a flat surface and then the locked hollow shaft is slid onto the measured shaft. The encoder is fastened and the shaft clamped by axial screws.



Mounting the **ERO**



Mounting accessories for **ERO 1400**



Mounting the **ECI 119**

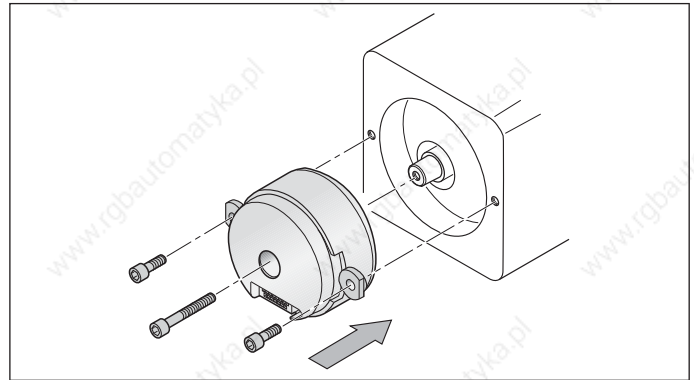
The **ECI/EQI 1100** inductive rotary encoders are mounted in axial direction. The blind hollow shaft is attached with a central screw. The stator of the encoder is clamped against a shoulder by two axial screws.

The scanning gap between the rotor and stator is predetermined by the mounting situation. Retroactive adjustment is not possible.

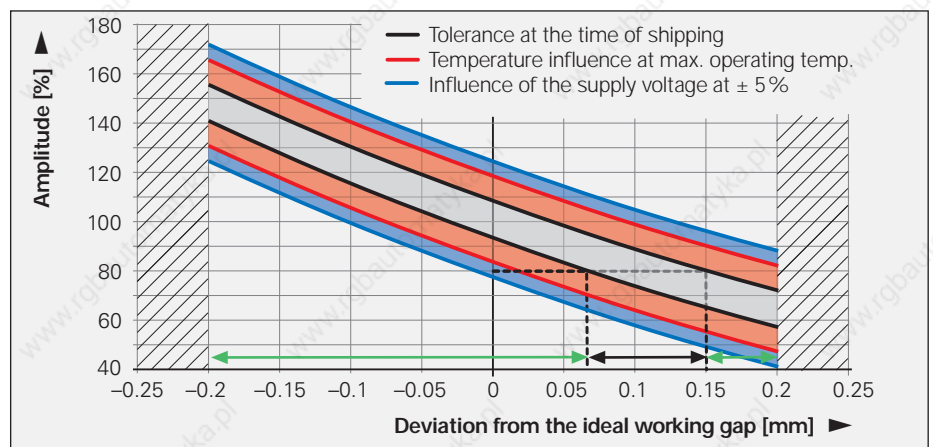
The maximum permitted deviation indicated in the mating dimensions applies to mounting as well as to operation. Tolerances used during mounting are therefore not available for axial motion of the shaft during operation.

Once the encoder has been mounted, the actual working gap between the rotor and stator can be measured indirectly via the signal amplitude in the rotary encoder, using the adjusting and testing package. The characteristic curves show the correlation between the signal amplitude and the deviation from the ideal scanning gap, depending on various ambient conditions.

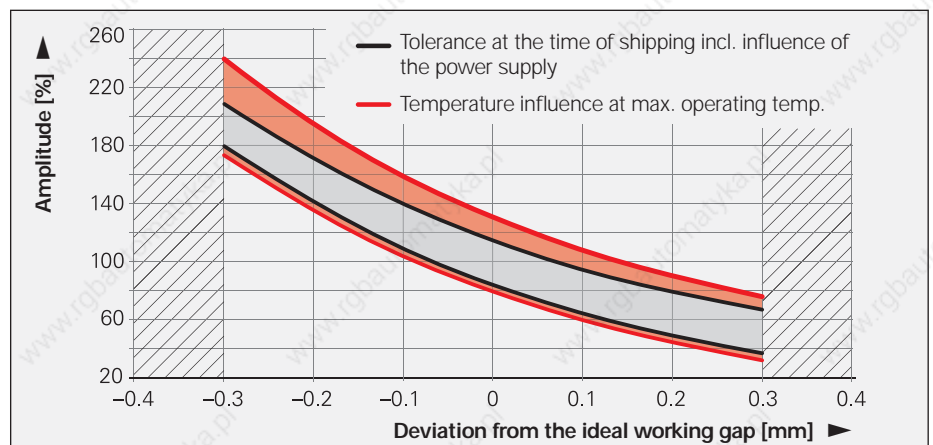
The example of ECI/EQI 1100 shows the resulting deviation from the ideal scanning gap for a signal amplitude of 80% at ideal conditions. Due to tolerances within the rotary encoder, the deviation is between +0.07 mm and +0.15 mm. This means that the maximum permissible motion of the drive shaft during operation is between -0.27 mm and +0.05 mm (green arrows).



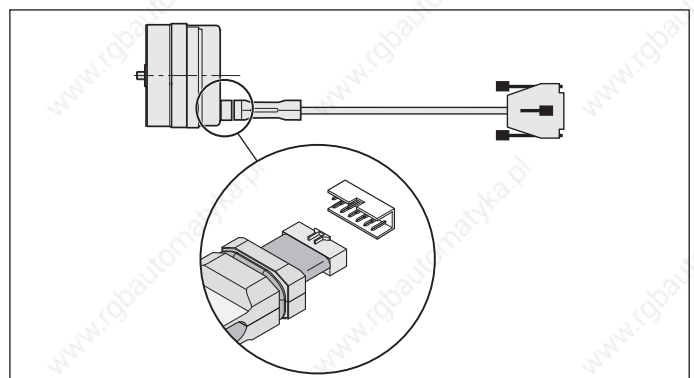
Mounting the **ECI/EQI 1100**



ECI/EQI 1100 with EnDat 2.1



ECI 1118 with EnDat 2.2



Mounting accessories for **ECI/EQI**

Accessories for ECI 119, ECI/EQI 1100

For testing the scanning gap

Encoder cable

For IK 215, PWM 20, inc. 3 adapter connectors, 12-pin and 3 adapter connectors, 15-pin ID 621 742-01

Software (for Windows 2000/XP)

For inspecting the output signals in combination with the adjusting and testing package (see *HEIDENHAIN Measuring and Testing Devices*)

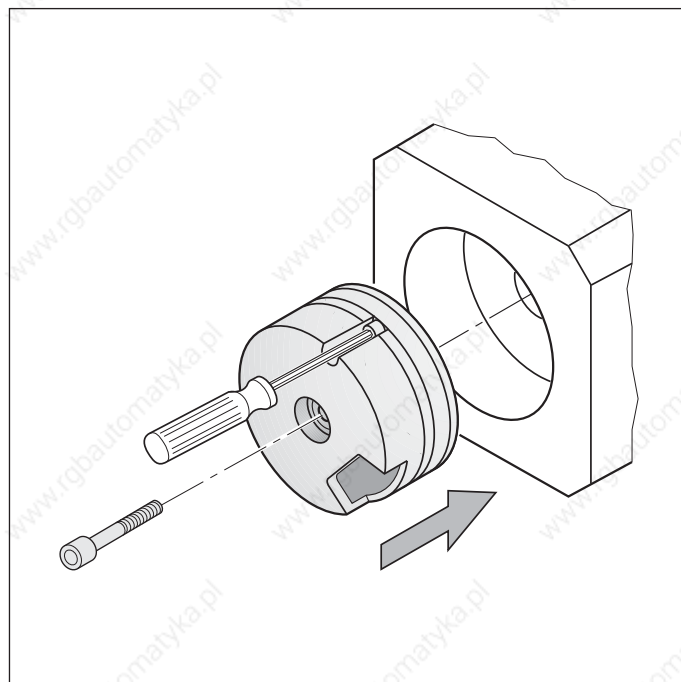
ID 539862-xx

15-pin adapter connector

Three units

ID 528694-02

The **ECI/EQI 1300** inductive rotary encoders are mechanically compatible with the ExN 1300 photoelectric encoders. The taper shaft (a bottomed hollow shaft is available as an alternative) is fastened with a central screw. The stator of the encoder is clamped by an axially tightened screw in the location hole. The scanning gap between rotor and stator must be set during mounting.



Mounting the **ECI/EQI 1300**

Accessories for adjusting the ECI/EQI 1300

To adjust the encoder, you will need:

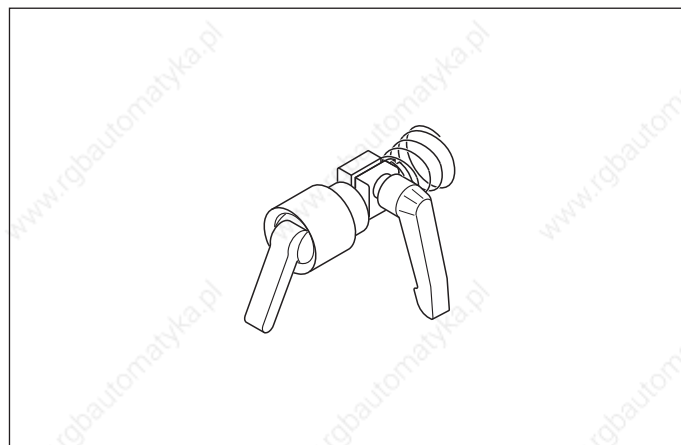
Adjustment aid for setting the gap
ID 335 529-xx

Mounting aid for adjusting the rotor position to the motor emf
ID 352 481-xx

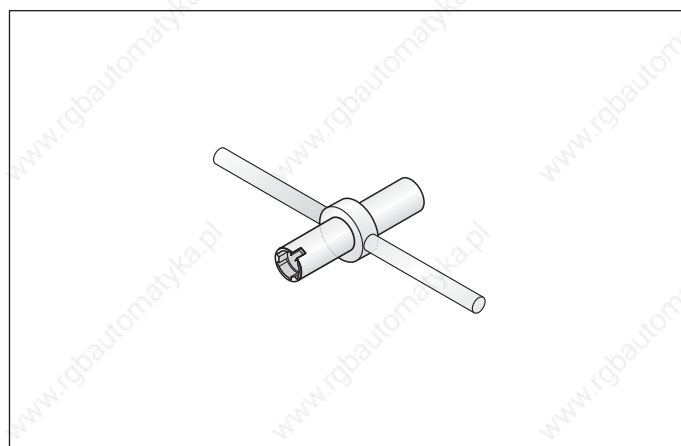
Encoder cable
For IK 215, PWM 20, inc. 3 adapter connectors, 12-pin and 3 adapter connectors, 15-pin
ID 621 742-01

Software (for Windows 2000/XP)
For inspecting the output signals in combination with the adjusting and testing package (see *HEIDENHAIN Measuring and Testing Devices*)
ID 539 862-xx

12-pin adapter connector
Three connectors for replacement
ID 528 694-01



Adjustment aid



Mounting aid

Aligning the Rotary Encoders to the Motor EMF

Synchronous motors require information on the rotor position immediately after switch-on. This information can be provided by rotary encoders with additional commutation signals, which provide relatively rough position information. Also suitable are absolute rotary encoders in multiturn and singleturn versions, which transmit the exact position information within a few angular seconds (see also *Electronic Commutation with Position Encoders*). When these encoders are mounted, the rotor positions of the encoder must be assigned to those of the motor in order to ensure the most constant possible motor current. Inadequate assignment to the motor emf will cause loud motor noises and high power loss.

Rotary encoders with integral bearing

First, the rotor of the motor is brought to a preferred position by the application of a DC current. **Rotary encoders with commutation signals** are aligned approximately—for example with the aid of the line markers on the encoder or the reference mark signal—and mounted on the motor shaft. The fine adjustment is quite easy with a PWM 9 phase angle measuring device (see *HEIDENHAIN Measuring and Testing Devices*): the stator of the encoder is turned until the PWM 9 displays, for example, the value zero as the distance from the reference mark.

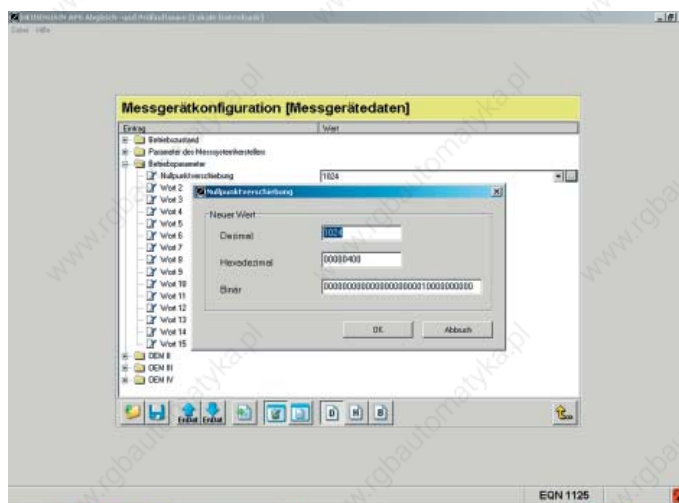
Absolute rotary encoders are at first mounted as a complete unit. Then the preferred position of the motor is assigned the value zero. The adjusting and testing package (see *HEIDENHAIN Measuring and Testing Devices*) serve this purpose. They feature the complete range of EnDat functions and make it possible to shift datums, set write protection against unintentional changes in saved values, and use further inspection functions.

Rotary encoders without integral bearing

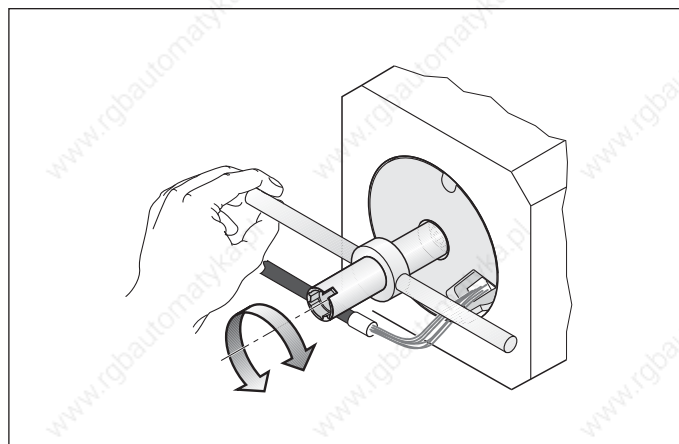
ECI/EQI rotary encoders are mounted as complete units and then adjusted with the aid of the adjusting and testing package. For the ECI/EQI with pure serial operation, electronic compensation is also possible: the ascertained compensation value can be saved in the encoder and read out by the control electronics to calculate the position value. ECI/EQI 1300 also permit manual alignment. The central screw is loosened again and the encoder rotor is turned with the mounting aid to the desired position until, for example, an absolute value of approximately zero appears in the position data.



Motor current of adjusted and very poorly adjusted rotary encoder



Aligning the rotary encoder to the motor emf with the aid of the adjusting and testing software



Manual alignment of ECI/EQI 1300

General Mechanical Information

UL certification

All rotary encoders and cables in this brochure comply with the UL safety regulations for the USA and the "CSA" safety regulations for Canada.

Acceleration

Encoders are subject to various types of acceleration during operation and mounting.

• Vibration

The encoders are qualified on a test stand to operate with the specified acceleration values from 55 to 2000 Hz in accordance with EN 60068-2-6.

However, if the application or poor mounting cause long-lasting resonant vibration, it can limit performance or even damage the encoder.

Comprehensive tests of the entire system are required.

• Shock

The encoders are qualified on a test stand to operate with the specified acceleration values and duration in accordance with EN 60068-2-27. This does not include **permanent shock loads, which must be tested in the application.**

- The **maximum angular acceleration** is 10^5 rad/s^2 (DIN 32878). This is the highest permissible acceleration at which the rotor will rotate without damage to the encoder. The angular acceleration actually attainable depends on the shaft connection. A sufficient safety factor is to be determined through system tests.

Humidity

The max. permissible relative humidity is 75%. 95% is permissible temporarily. Condensation is not permissible.

Magnetic fields

Magnetic fields > 30 mT can impair the proper function of encoders. If required, please contact HEIDENHAIN, Traunreut.

RoHS

HEIDENHAIN has tested the products for harmlessness of the materials as per European Directives 2002/95/EC (RoHS) and 2002/96/EC (WEEE). For a Manufacturer Declaration on RoHS, please refer to your sales agency.

Natural frequencies

The rotor and the couplings of ROC/ROQ/ROD and RIC/RIQ rotary encoders, as also the stator and stator coupling of ECN/EQN/ERN rotary encoders, form a single vibrating spring-mass system.

The **natural frequency f_N** should be as high as possible. A prerequisite for the highest possible natural frequency on **ROC/ROQ/ROD rotary encoders** is the use of a diaphragm coupling with a high torsional rigidity C (see *Shaft Couplings*).

$$f_N = \frac{1}{2 \cdot \pi} \cdot \sqrt{\frac{C}{I}}$$

f_N : Natural frequency in Hz

C: Torsional rigidity of the coupling in Nm/rad

I: Moment of inertia of the rotor in kgm^2

ECN/EQN/ERN rotary encoders with their stator couplings form a vibrating spring-mass system whose **natural frequency f_N** should be as high as possible. If radial and/or axial acceleration forces are added, the stiffness of the encoder bearings and the encoder stators are also significant. If such loads occur in your application, HEIDENHAIN recommends consulting with the main facility in Traunreut.

Protection against contact (EN 60529)

After encoder installation, all rotating parts must be protected against accidental contact during operation.

Protection (EN 60529)

The degree of protection shown in the catalog is adapted to the usual mounting conditions. You will find the respective values in the Specifications. If the given degree of protection is not sufficient (such as when the encoders are mounted vertically), the encoders should be protected by suited measures such as covers, labyrinth seals, or other methods. Splash water must not contain any substances that would have harmful effects on the encoder parts.

Expendable parts

Encoders from HEIDENHAIN are designed for a long service life. Preventive maintenance is not required. They contain components that are subject to wear, depending on the application and manipulation. These include in particular moving cables.

On encoders with integral bearing, other such components are the bearings, shaft sealing rings on rotary and angle encoders, and sealing lips on sealed linear encoders.

System tests

Encoders from HEIDENHAIN are usually integrated as components in larger systems. Such applications require **comprehensive tests of the entire system** regardless of the specifications of the encoder.

The specifications given in the brochure apply to the specific encoder, not to the complete system. Any operation of the encoder outside of the specified range or for any other than the intended applications is at the user's own risk. In safety-related systems, the higher-level system must verify the position value of the encoder after switch-on.

Mounting

Work steps to be performed and dimensions to be maintained during mounting are specified solely in the mounting instructions supplied with the unit. All data in this catalog regarding mounting are therefore provisional and not binding; they do not become terms of a contract.

Changes to the encoder

The correct operation and accuracy of encoders from HEIDENHAIN is ensured only if they have not been modified. Any changes, even minor ones, can impair the operation and reliability of the encoders, and result in a loss of warranty. This also includes the use of additional retaining compounds, lubricants (e.g. for screws) or adhesives not explicitly prescribed. In case of doubt, we recommend contacting HEIDENHAIN in Traunreut.

Temperature ranges

For the unit in its packaging, the **storage temperature range** is -30 to 80 °C. The **operating temperature range** indicates the temperatures the encoder may reach during operation in the actual installation environment. The function of the encoder is guaranteed within this range (DIN 32878). The operating temperature is measured on the face of the encoder flange (see dimension drawing) and must not be confused with the ambient temperature.

The temperature of the encoder is influenced by:

- Mounting conditions
- The ambient temperature
- Self-heating of the encoder

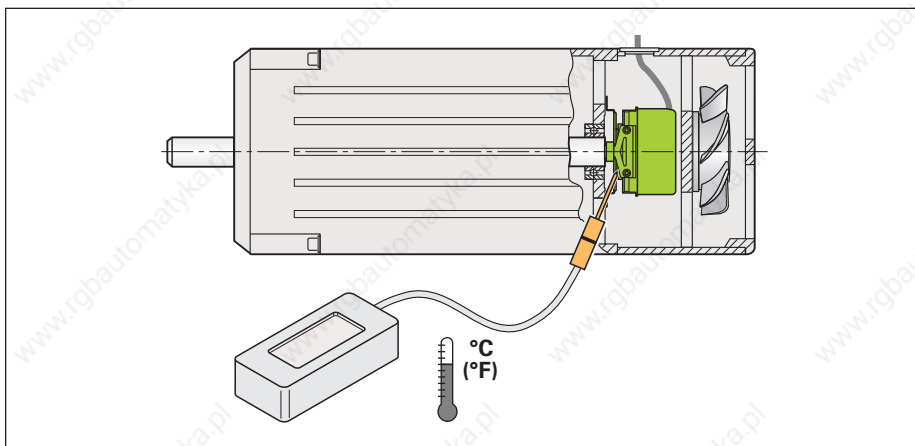
The self-heating of an encoder depends both on its design characteristics (stator coupling/solid shaft, shaft sealing ring, etc.) and on the operating parameters (rotational speed, power supply). Temporarily increased self-heating can also occur after very long breaks in operation (of several months). Please take a two-minute run-in period at low speeds into account. Higher heat generation in the encoder means that a lower ambient temperature is required to keep the encoder within its permissible operating temperature range.

These tables show the approximate values of self-heating to be expected in the encoders. In the worst case, a combination of operating parameters can exacerbate self-heating, for example a 30 V power supply and maximum rotational speed. Therefore, the actual operating temperature should be measured directly at the encoder if the encoder is operated near the limits of permissible parameters. Then suitable measures should be taken (fan, heat sinks, etc.) to reduce the ambient temperature far enough so that the maximum permissible operating temperature will not be exceeded during continuous operation.

For high speeds at maximum permissible ambient temperature, special versions are available on request with reduced degree of protection (without shaft seal and its concomitant frictional heat).

Self-heating at supply voltage		15 V	30 V
	ERN/ROD	Approx. + 5 K	Approx. +10 K
	ECN/EQN/ROC/ROQ	Approx. + 5 K	Approx. +10 K
Heat generation at speed n_{max}			
Solid shaft	ROC/ROQ/ROD	Approx. + 5 K with IP 64 protection Approx. + 10 K with IP 66 protection	
Blind hollow shaft	ECN/EQN/ERN 400	Approx. + 30 K with IP 64 protection Approx. + 40 K with IP 66 protection	
	ECN/EQN/ERN 1000	Approx. +10 K	
Hollow through shaft	ECN/ERN 100	Approx. + 40 K with IP 64 protection	
	ECN/EQN/ERN 400	Approx. + 50 K with IP 66 protection	

An encoder's typical self-heating values depend on its design characteristics at maximum permissible speed. The correlation between rotational speed and heat generation is nearly linear.

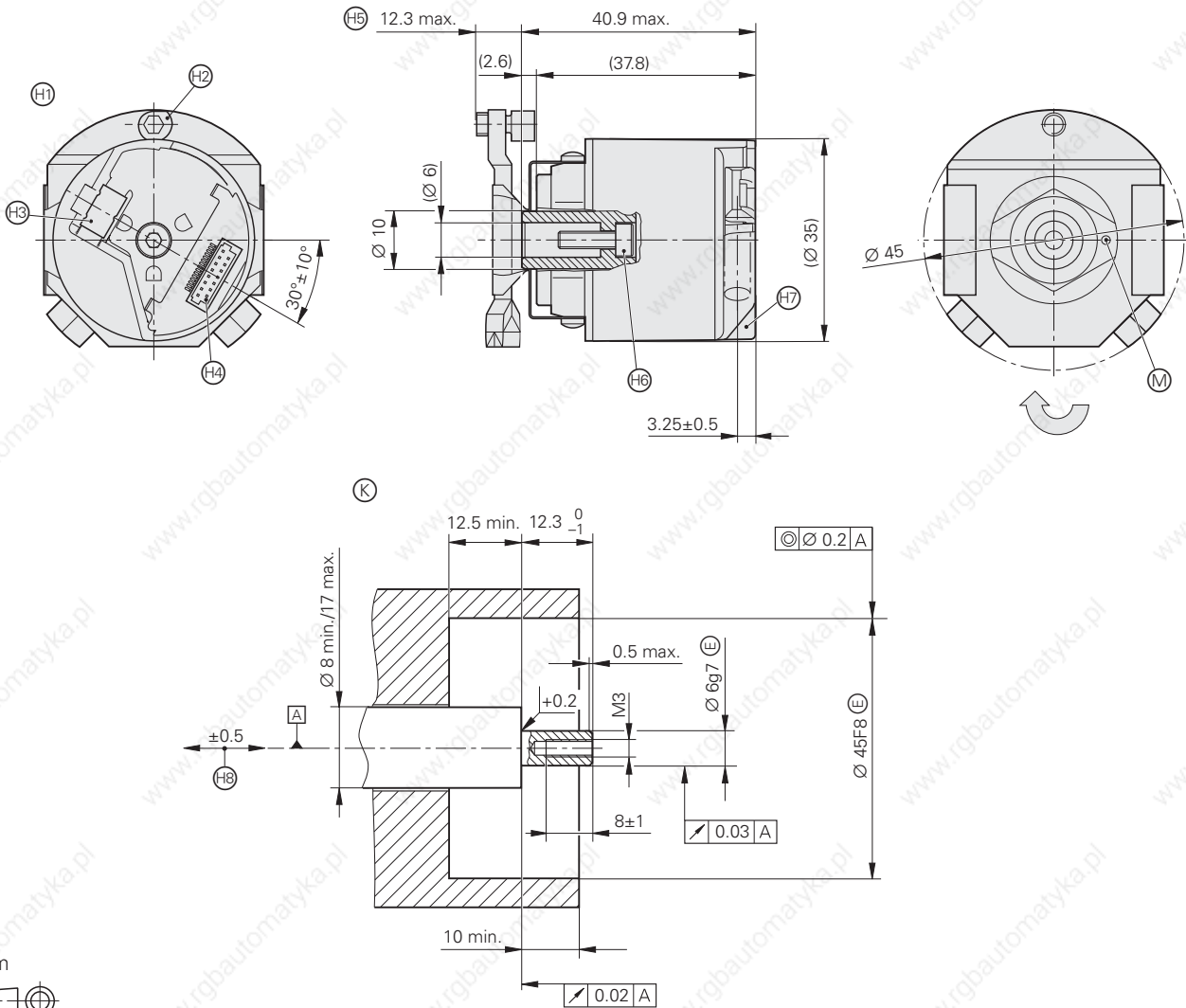


Measuring the actual operating temperature at the defined measuring point of the rotary encoder (see *Specifications*)

ECN/EQN 1100 Series

Rotary encoders with integral bearing for integration in motors

- Mounted stator coupling
- Installation diameter $\varnothing 45$ mm
- Compact size
- Blind hollow shaft





mm



Tolerancing ISO 8015
ISO 2768 - m H
< 6 mm: ± 0.2 mm

- ▣ = Bearing
- ⊙ = Required mating dimensions
- ⊙ = Measuring point for operating temperature
- ⊙ = Encoder shown without cover
- ⊙ = Mounting screw (M4, width A/F 3). Turn back by one revolution and tighten with 2 ± 0.1 Nm
- ⊙ = Cable outlet for cables with crimp sleeve $\varnothing 4.3 \pm 0.1 - 7$ long
- ⊙ = 15-pin plug connector
- ⊙ = Variable depending on the coupling
- ⊙ = Screw ISO 4762, width A/F 2.5, with patch coating. Tightening torque: 1.2 ± 0.1 Nm
ECN: M3 x 10
EQN: M3 x 22
- ⊙ = Removable cover
- ⊙ = Compensation of mounting tolerances and thermal expansion, no dynamic motion permitted
- ↻ = Direction of shaft rotation for output signals as per the interface description

	Absolute			
	ECN 1113	ECN 1123 	EQN 1125	EQN 1135 
Incremental signals	$\sim 1 V_{PP}^{1)}$	–	$\sim 1 V_{PP}^{1)}$	–
Line count	512	–	512	–
Cutoff frequency –3 dB	≥ 190 kHz	–	≥ 190 kHz	–
Absolute position values	EnDat 2.2			
Ordering designation	EnDat 01	EnDat 22	EnDat 01	EnDat 22
Position values per rev	8192 (13 bits)	8388608 (23 bits)	8192 (13 bits)	8388608 (23 bits)
Revolutions	–		4096 (12 bits)	
Elec. permissible speed/ Deviation ²⁾	4000 min ⁻¹ /± 1 LSB 12000 min ⁻¹ /± 16 LSB	12000 min ⁻¹ (for continuous position value)	4000 min ⁻¹ /± 1 LSB 12000 min ⁻¹ /± 16 LSB	12000 min ⁻¹ (for continuous position value)
Calculation time t_{cal}	$\leq 9 \mu s$	$\leq 7 \mu s$	$\leq 9 \mu s$	$\leq 7 \mu s$
System accuracy	$\pm 60''$			
Power supply	DC 3.6 V to 14 V			
Power consumption (maximum)	3.6 V: ≤ 600 mW 14 V: ≤ 700 mW		3.6 V: ≤ 700 mW 14 V: ≤ 800 mW	
Current consumption (typical)	5 V: 85 mA (without load)		5 V: 105 mA (without load)	
Electrical connection Via PCB connector	15-pin	15-pin ³⁾	15-pin	15-pin ³⁾
Shaft	Blind hollow shaft $\varnothing 6$ mm			
Mech. permitt. speed n	12000 min ⁻¹			
Starting torque	≤ 0.001 Nm (at 20 °C)		≤ 0.002 Nm (at 20 °C)	
Moment of inertia of rotor	Approx. $0.4 \cdot 10^{-6}$ kgm ²			
Permissible axial motion of measured shaft	± 0.5 mm			
Vibration 55 to 2000 Hz Shock 6 ms	≤ 200 m/s ² (EN 60068-2-6) ≤ 1000 m/s ² (EN 60068-2-27)			
Max. operating temp.	115 °C			
Min. operating temp.	–40 °C			
Protection EN 60529	IP 40 when mounted			
Weight	Approx. 0.1 kg			

¹⁾ Restricted tolerances
Signal amplitude: 0.80 to 1.2 V_{PP}
Asymmetry: 0.05
Amplitude ratio: 0.9 to 1.1
Phase angle: 90° ± 5° elec.

²⁾ Velocity-dependent deviations between the absolute and incremental signals

³⁾ With connection for temperature sensor, evaluation optimized for KTY 84-130

Functional Safety for ECN 1123 and EQN 1135 upon request

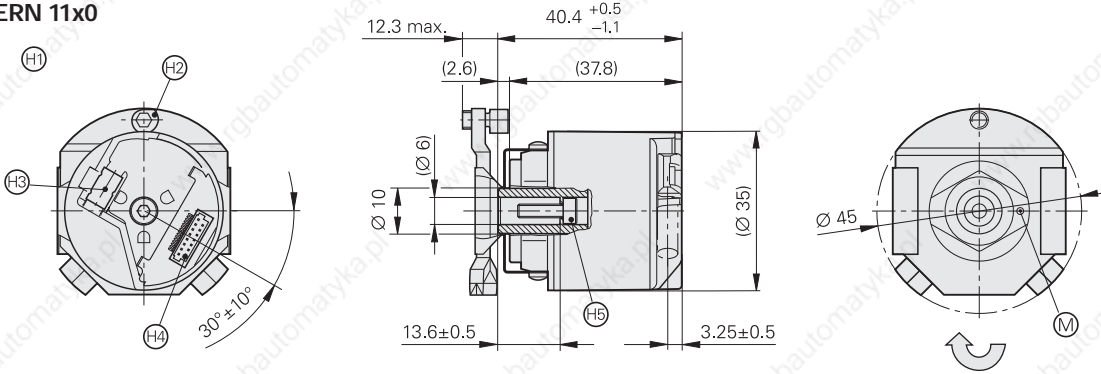
ERN 1100 Series

Rotary encoders with integral bearing for integration in motors

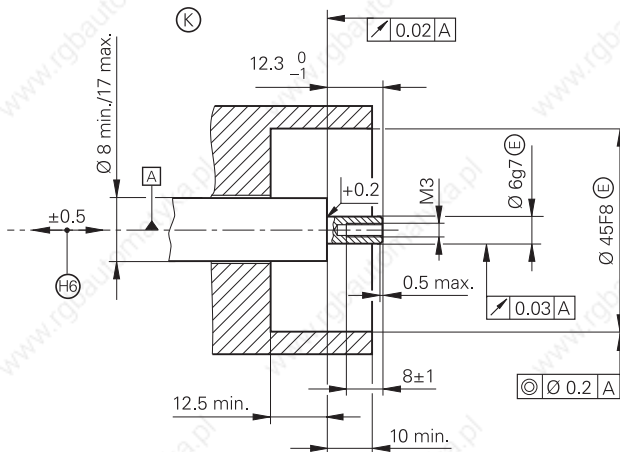
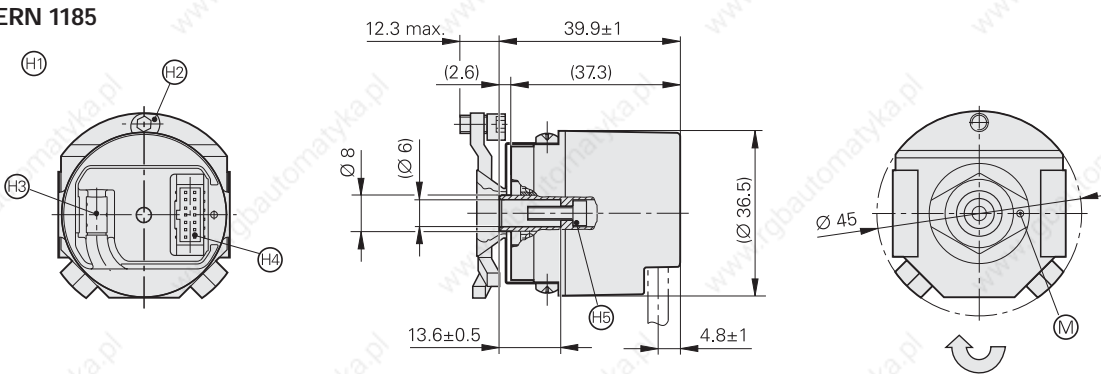
- Mounted stator coupling
- Installation diameter $\varnothing 45$ mm
- Compact size
- Blind hollow shaft



ERN 11x0



ERN 1185



mm

 Tolerancing ISO 8015
 ISO 2768 - m H
 < 6 mm: ±0.2 mm

- = Bearing of mating shaft
- ⊙ = Required mating dimensions
- Ⓜ = Measuring point for operating temperature
- ⊕ = Encoder shown without cover
- ⊕ = To fasten the coupling, turn the eccentric screw (M4) to the right by approx. 90°. Tightening torque 2 ± 0.1 Nm
- ⊕ = Cable outlet for cables with crimp sleeve $\varnothing 4.3 \pm 0.1 - 7$ long
- ⊕ = ERN 11xx: JAE connector 15-pin; ERN 1185: FCI connector 14-pin
- ⊕ = Screw M3 x 10 ISO 4762 SW2.5 with patch coating, tightening torque 1.2 ± 0.1 Nm
- ⊕ = Compensation of mounting tolerances and thermal expansion, no dynamic motion permitted
- ↻ = Direction of shaft rotation for output signals as per the interface description

	Incremental		
	ERN 1120	ERN 1180	ERN 1185
Incremental signals	□TTL	~ 1 V _{PP} ¹⁾	
Line count*	1024 2048 3600	512 2048	
Reference mark	One		
Scanning frequency	≥ 300 kHz	–	–
Edge separation a	≥ 0.39 μs	–	–
Cutoff frequency –3 dB	–	≥ 180 kHz	512 lines: ≥ 100 kHz 2048 lines: ≥ 350 kHz
Absolute position values	–		~ 1 V _{PP} ¹⁾
Position values per rev	–		Z1 track ²⁾
System accuracy	1024 lines: ± 64" 2048 lines: ± 32" 3600 lines: ± 18"		512 lines: ± 60" 2048 lines: ± 40"
Power supply	DC 5 V ± 10%		DC 5 V ± 5%
Current consumption (w/o load)	≤ 120 mA		≤ 150 mA
Electrical connection Via PCB connector	15-pin		14-pin
Shaft	Blind hollow shaft Ø 6 mm		
Mech. perm. speed n	12000 min ⁻¹		10000 min ⁻¹
Starting torque	≤ 0.001 Nm (at 20 °C)		
Moment of inertia of rotor	Approx. 0.3 · 10 ⁻⁶ kgm ²		
Permissible axial motion of measured shaft	± 0.5 mm		
Vibration 55 to 2000 Hz	≤ 100 m/s ² (EN 60068-2-6)		
Shock 6 ms	≤ 1000 m/s ² (EN 60068-2-27)		
Max. operating temp.	100 °C		115 °C
Min. operating temp.	–30 °C		
Protection EN 60529	IP 40 when mounted		
Weight	Approx. 0.1 kg		

* Please select when ordering

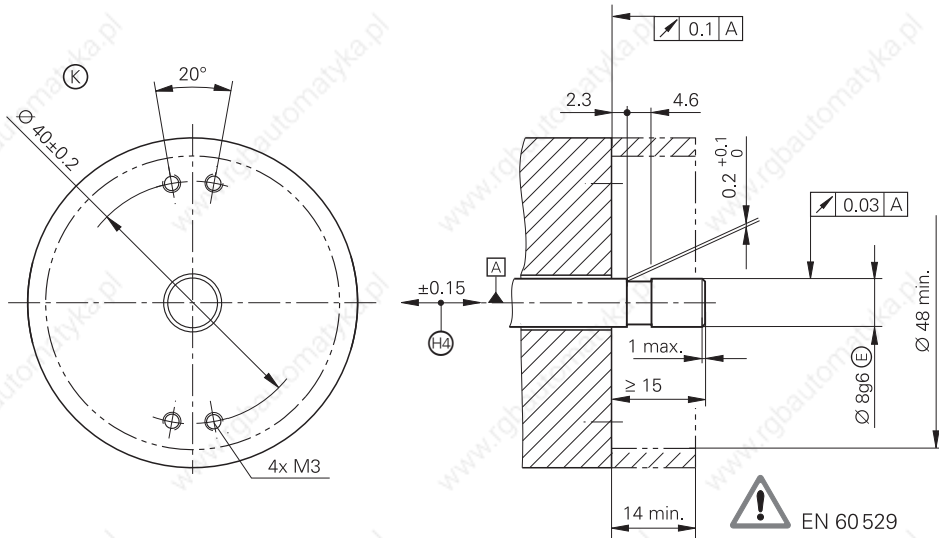
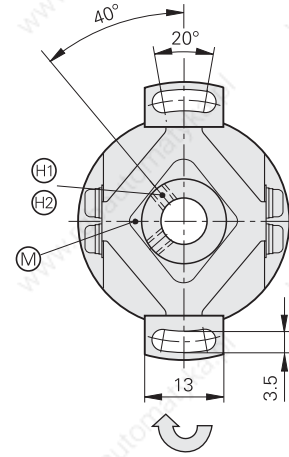
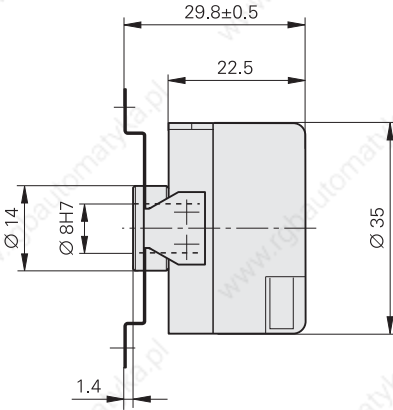
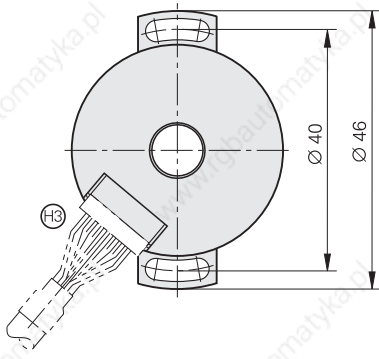
¹⁾ Restricted tolerances
Signal amplitude: 0.80 to 1.2 V_{PP}
Asymmetry: 0.05
Amplitude ratio: 0.9 to 1.1
Phase angle: 90° ± 5° elec.
Signal-to-noise ratio E, F: 100 mV

²⁾ For sine commutation: One sine and one cosine signal per revolution

ERN 1123

Rotary encoders with integral bearing for integration in motors

- Mounted stator coupling
- Outside diameter $\varnothing 35$ mm
- Hollow through shaft $\varnothing 8$ mm
- Block commutation signals



! EN 60529

mm
 Tolerancing ISO 8015
 ISO 2768 - m H
 < 6 mm: ± 0.2 mm

- = Bearing of mating shaft
- = Measuring point for operating temperature
- = Required mating dimensions
- = 2 screws in clamping ring. Tightening torque: 0.6 ± 0.1 Nm, width A/F: 1.5
- = Reference mark position $\pm 10^\circ$
- = JAE connector 15-pin
- = Compensation of mounting tolerances and thermal expansion, no dynamic motion permitted
- = Direction of shaft rotation for output signals according to interface description

ERN 1123	
Incremental signals	□□TTL
Signal periods/rev*	500 512 600 1000 1024 1250 2000 2048 2500 4096 5000 8192
Scanning frequency Edge separation <i>a</i>	≤ 300 kHz ≥ 0.41 μs
Absolute position values	□□TTL (3 commutation signals U, V, W)
Commutation signals*	2 x 180° (C01); 3 x 120° (C02); 4 x 90° (C03) ¹⁾
System accuracy	± 260" ± 130"
Power supply	DC 5 V ± 10%
Current consumption (without load)	≤ 70 mA
Electrical connection	Via PCB connector, 15-pin
Shaft	Hollow through shaft Ø 8 mm
Mech. perm. speed n	≤ 6000 min ⁻¹
Starting torque	≤ 0.005 Nm (at 20 °C)
Moment of inertia of rotor	0.5 · 10 ⁻⁶ kgm ²
Permissible axial motion of measured shaft	± 0.15 mm
Vibration 25 to 2000 Hz Shock 6 ms	≤ 100 m/s ² (EN 60 068-2-6) ≤ 1000 m/s ² (EN 60 068-2-27)
Max. operating temp.	90 °C
Min. operating temp.	-20 °C
Protection EN 60 529	IP 00 ²⁾
Weight	Approx. 0.06 kg

Bold: These preferred versions are available on short notice

* Please select when ordering

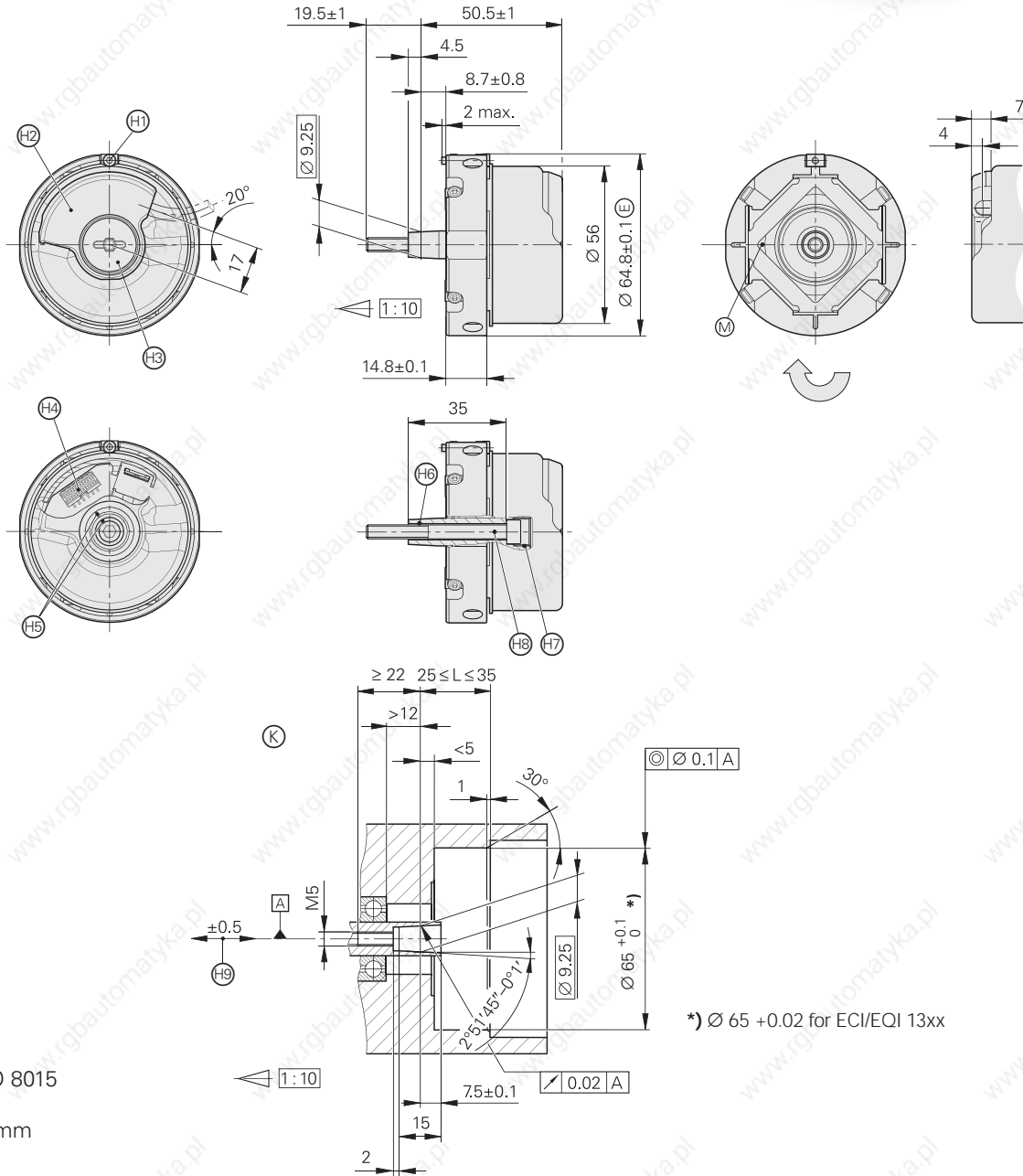
¹⁾ Three square-wave signals with signal periods of 90°, 120° or 180° mechanical phase shift, see *Commutation Signals for Block Commutation*

²⁾ CE compliance of the complete system must be ensured by taking the correct measures during installation.

ECN/EQN 1300 Series

Rotary encoders with integral bearing for integration in motors

- Mounted stator coupling
- Installation diameter 65 mm
- Taper shaft





mm



Tolerancing ISO 8015
ISO 2768 - m H
< 6 mm: ±0.2 mm

- ▣ = Bearing of mating shaft
- ▣ = Bearing of encoder
- ⊕ = Required mating dimensions
- ⊙ = Measuring point for operating temperature
- ⊕ = Clamping screw for coupling ring, width A/F 2. Tightening torque: 1.25-0.2 Nm
- ⊕ = Die-cast cover
- ⊕ = Screw plug, width A/F 3 and 4. Tightening torque: 5 + 0.5 Nm
- ⊕ = ERN: Plug connector, 12-pin
ERN with Z1 track: Plug connector, 14-pin
ERN with block commutation: Plug connector, 16-pin
ECN/EQN plug connector, 12-pin
ECN/EQN plug connector, 12-pin + 4-pin
- ⊕ = ERN: Reference mark position indicated on shaft and cap
ECN/EQN: Zero position indicated on shaft and cap
- ⊕ = Back-off thread M6
- ⊕ = Back-off thread M10
- ⊕ = Self-tightening screw, M5 x 50, DIN 6912, width A/F 4. Tightening torque: 5 + 0.5 Nm
- ⊕ = Compensation of mounting tolerances and thermal expansion, no dynamic motion permitted
- ↻ = Direction of shaft rotation for output signals as per the interface description

*) Ø 65 + 0.02 for ECI/EQI 13xx

	Absolute			
	ECN 1313	ECN 1325 	EQN 1325	EQN 1337 
Incremental signals	$\sim 1 V_{PP}^{1)}$	–	$\sim 1 V_{PP}^{1)}$	–
Line count*	512 2048	2048	512 2048	2048
Cutoff frequency –3 dB	2048 lines: ≥ 400 kHz 512 lines: ≥ 130 kHz	–	2048 lines: ≥ 400 kHz 512 lines: ≥ 130 kHz	–
Absolute position values	EnDat 2.2			
Ordering designation	EnDat 01	EnDat 22	EnDat 01	EnDat 22
Position values per rev	8192 (13 bits)	33554432 (25 bits)	8192 (13 bits)	33554432 (25 bits)
Revolutions	–		4096 (12 bits)	
Elec. permissible speed/ Deviation ²⁾	512 lines: 5000 min ⁻¹ /± 1 LSB 12000 min ⁻¹ /± 100 LSB 2048 lines: 1500 min ⁻¹ /± 1 LSB 12000 min ⁻¹ /± 50 LSB	12000 min ⁻¹ (for continuous position value)	512 lines: 5000 min ⁻¹ /± 1 LSB 12000 min ⁻¹ /± 100 LSB 2048 lines: 1500 min ⁻¹ /± 1 LSB 12000 min ⁻¹ /± 50 LSB	12000 min ⁻¹ (for continuous position value)
Calculation time t_{cal}	$\leq 5 \mu s$			
System accuracy	512 lines: $\pm 60''$; 2048 lines: $\pm 20''$			
Power supply	DC 3.6 to 14 V			
Power consumption (maximum)	3.6 V: ≤ 600 mW 14 V: ≤ 700 mW		3.6 V: ≤ 700 mW 14 V: ≤ 800 mW	
Current consumption (typical)	5 V: 85 mA (without load)		5 V: 105 mA (without load)	
Electrical connection Via PCB connector	12-pin	Rotary encoder: 12-pin Temp. sensor ³⁾ : 4-pin	12-pin	Rotary encoder: 12-pin Temp. sensor ³⁾ : 4-pin
Shaft	Taper shaft $\varnothing 9.25$ mm; taper 1:10			
Mech. permiss. speed n	≤ 15000 min ⁻¹		≤ 12000 min ⁻¹	
Starting torque at 20 °C	≤ 0.01 Nm			
Moment of inertia of rotor	$2.6 \cdot 10^{-6}$ kgm ²			
Natural frequency of the stator coupling	≥ 1800 Hz			
Permissible axis motion of measured shaft	± 0.5 mm			
Vibration 55 to 2000 Hz Shock 6 ms	≤ 300 m/s ² ⁴⁾ (EN 60068-2-6) ≤ 2000 m/s ² (EN 60068-2-27)			
Max. operating temp.	115 °C			
Min. operating temp.	–40 °C			
Protection EN 60529	IP 40 when mounted			
Weight	Approx. 0.25 kg			

* Please select when ordering

¹⁾ Restricted tolerances
Signal amplitude: 0.8 to 1.2 V_{PP}
Asymmetry: 0.05
Amplitude ratio: 0.9 to 1.1
Phase angle: 90° ± 5° elec.
Signal-to-noise ratio E, F: 100 mV

²⁾ Velocity-dependent deviations between the absolute and incremental signals

³⁾ Evaluation optimized for KTY 84-130

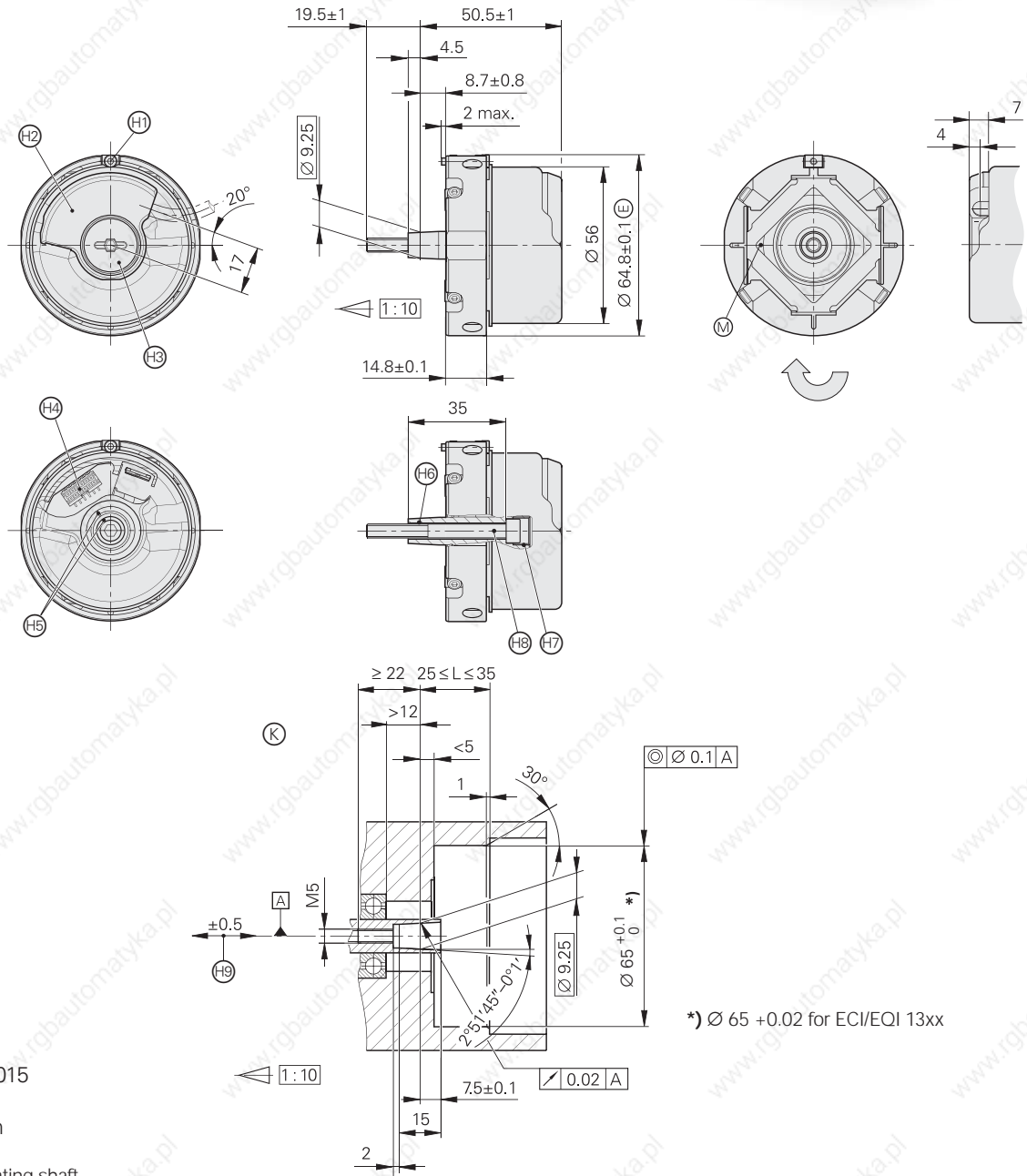
⁴⁾ As per standard for room temperature; the following applies for operating temperature
Up to 100 °C: ≤ 300 m/s²; to 115 °C: ≤ 150 m/s²

Functional Safety for ECN 1325 and EQN 1337 upon request
For dimensions and specification see the Product Information document

ERN 1300 Series

Rotary encoders with integral bearing for integration in motors

- Mounted stator coupling
- Installation diameter 65 mm
- Taper shaft



mm



Tolerancing ISO 8015
ISO 2768 - m H
< 6 mm: ±0.2 mm

- ▣ = Bearing of mating shaft
- ▣ = Bearing of encoder
- ⊕ = Required mating dimensions
- ⊙ = Measuring point for operating temperature
- ⊕ = Clamping screw for coupling ring, width A/F 2. Tightening torque: 1.25–0.2 Nm
- ⊕ = Die-cast cover
- ⊕ = Screw plug, width A/F 3 and 4. Tightening torque: 5 + 0.5 Nm
- ⊕ = ERN: Plug connector, 12-pin
ER with Z1 track: Plug connector, 14-pin
ER with block commutation: Plug connector, 16-pin
ECN/EQN plug connector, 12-pin
ECN/EQN plug connector, 12-pin + 4-pin
- ⊕ = ERN: Reference mark position indicated on shaft and cap
ECN/EQN: Zero position indicated on shaft and cap
- ⊕ = Back-off thread M6
- ⊕ = Back-off thread M10
- ⊕ = Self-tightening screw, M5 x 50, DIN 6912, width A/F 4. Tightening torque: 5 + 0.5 Nm
- ⊕ = Compensation of mounting tolerances and thermal expansion, no dynamic motion permitted
- ↻ = Direction of shaft rotation for output signals as per the interface description

*) Ø 65 +0.02 for ECI/EQI 13xx

	Incremental				
	ERN 1321	ERN 1381	ERN 1387	ERN 1326	
Incremental signals	□□TTL	~ 1 V _{PP} ¹⁾		□□TTL	
Line count*/ system accuracy	1 024/± 64" 2 048/± 32" 4 096/± 16"	512/± 60" 2 048/± 20" 4 096/± 16"	2 048/± 20"	1 024/± 64" 2 048/± 32" 4 096/± 16"	8 192/± 16" ⁵⁾
Reference mark	One				
Scanning frequency	≥ 300 kHz	-	-	≥ 300 kHz	≥ 150 kHz
Edge separation a	≥ 0.35 μs	-	-	≥ 0.35 μs	≥ 0.22 μs
Cutoff frequency -3 dB	-	≥ 210 kHz	-	-	-
Absolute position values	-		~ 1 V _{PP} ¹⁾	□□TTL	
Commutation signals*	-		Z1 track ²⁾	3 x 120°; 4 x 90° ³⁾	
Power supply	DC 5 V ± 10%		DC 5 V ± 5%		
Current consumption (without load)	≤ 120 mA		≤ 130 mA	≤ 150 mA	
Electrical connection Via PCB connector	12-pin		14-pin	16-pin	
Shaft	Taper shaft Ø 9.25 mm; taper 1:10				
Mech. permitt. speed n	≤ 15 000 min ⁻¹				
Starting torque at 20 °C	≤ 0.01 Nm				
Moment of inertia of rotor	2.6 · 10 ⁻⁶ kgm ²				
Natural frequency of the stator coupling	≥ 1 800 Hz				
Permissible axis motion of measured shaft	± 0.5 mm				
Vibration 55 to 2 000 Hz	≤ 300 m/s ² ⁴⁾ (EN 60068-2-6)				
Shock 6 ms	≤ 2 000 m/s ² (EN 60068-2-27)				
Max. operating temp.	120 °C	120 °C 4 096 lines: 80 °C	120 °C		
Min. operating temp.	-40 °C				
Protection EN 60529	IP 40 when mounted				
Weight	Approx. 0.25 kg				

* Please select when ordering

¹⁾ Restricted tolerances
Signal amplitude: 0.8 to 1.2 V_{PP}
Asymmetry: 0.05
Amplitude ratio: 0.9 to 1.1
Phase angle: 90° ± 5° elec.
Signal-to-noise ratio E, F: 100 mV

²⁾ One sine and one cosine signal per revolution

³⁾ Three square-wave signals with signal periods of 90° or 120° mechanical phase shift; see *Commutation Signals for Block Commutation*

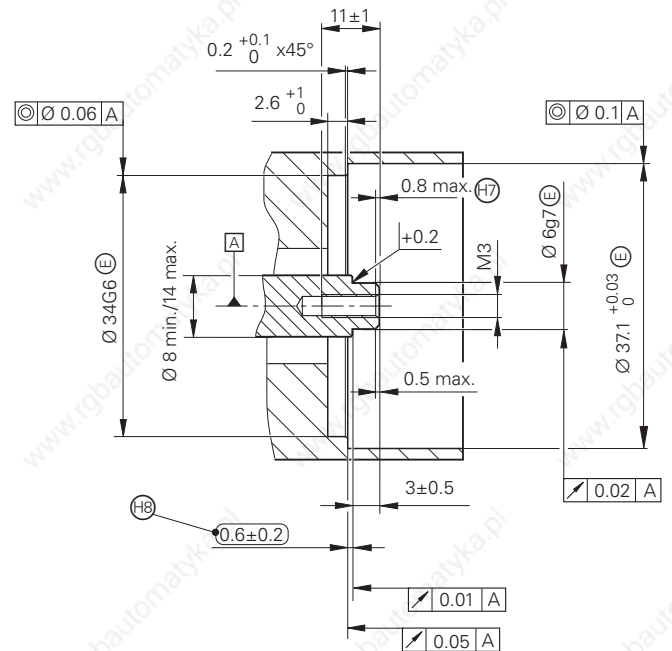
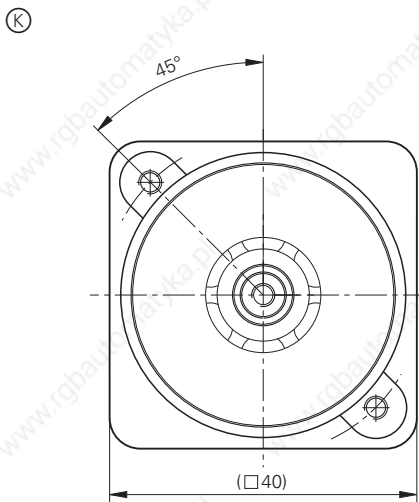
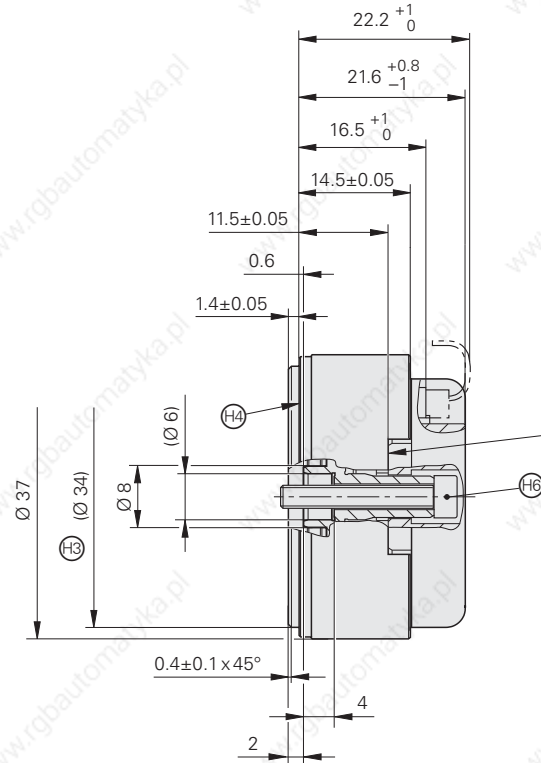
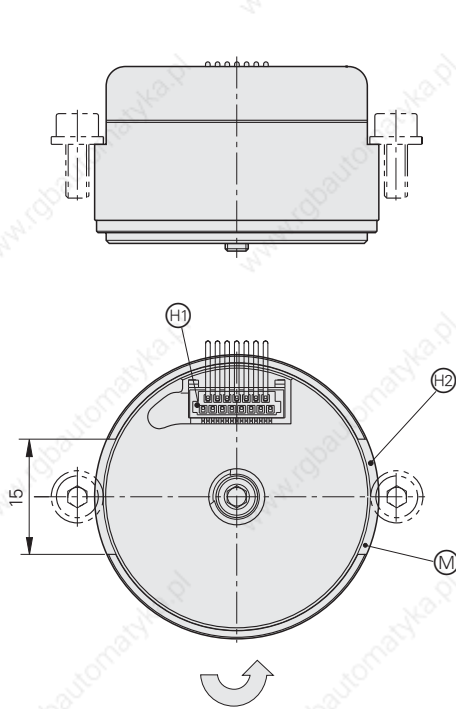
⁴⁾ As per standard for room temperature, the following applies for operating temperature
Up to 100 °C: ≤ 300 m/s²
Up to 120 °C: ≤ 150 m/s²

⁵⁾ Through integrated signal doubling

ECI/EQI 1100 Series

Rotary encoders without integral bearing for integration in motors

- Installation diameter 37 mm
- Blind hollow shaft



mm



Tolerancing ISO 8015
ISO 2768 - m H
< 6 mm: ±0.2 mm

- ▣ = Bearing
- ⊙ = Required mating dimensions
- ⊙ = Measuring point for operating temperature
- ⊙ = 15-pin plug connector
- ⊙ = Permissible surface pressure (material: aluminum 230 N/mm²)
- ⊙ = Centering collar
- ⊙ = Supporting surface
- ⊙ = Clamping surfaces
- ⊙ = Self-locking screw, M3 x 20, ISO 4762, width A/F 2.5. Tightening torque: 1.2 ± 0.1 Nm
- ⊙ = Start of thread
- ⊙ = Maximum permissible deviation between shaft and flange surfaces Compensation of mounting tolerances and thermal expansion, no dynamic motion
- ↻ = Direction of shaft rotation for output signals as per the interface description

	Absolute			
	ECI 1118		EQI 1130	
Incremental signals	$\sim 1 V_{PP}$	None	$\sim 1 V_{PP}$	None
Line count	16	–	16	–
Cutoff frequency –3 dB	≥ 6 kHz	–	≥ 6 kHz	–
Absolute position values	EnDat 2.1			
Ordering designation*	EnDat 01	EnDat 21	EnDat 01	EnDat 21
Position values per rev	262 144 (18 bits)			
Revolutions	–		4096 (12 bits)	
Elec. permissible speed/ deviations ¹⁾	4000 min ⁻¹ /± 400 LSB 15000 min ⁻¹ /± 800 LSB	15000 min ⁻¹ (for continuous position value)	4000 min ⁻¹ /± 400 LSB 12000 min ⁻¹ /± 800 LSB	12000 min ⁻¹ (for continuous position value)
Calculation time t_{cal}	$\leq 8 \mu s$			
System accuracy	$\pm 280''$			
Power supply	DC 5 V ± 5%			
Power consumption (maximum)	≤ 0.85 W		≤ 1.00 W	
Current consumption (typical)	120 mA (without load)		145 mA (without load)	
Electrical connection	Via PCB connector, 15-pin			
Shaft	Blind hollow shaft $\varnothing 6$ mm, axial clamping			
Mech. permissible speed n	≤ 15000 min ⁻¹		≤ 12000 min ⁻¹	
Moment of inertia of rotor	$0.76 \cdot 10^{-6}$ kgm ²			
Permissible axial motion of measured shaft	± 0.2 mm			
Vibration 55 to 2000 Hz Shock 6 ms	≤ 300 m/s ² (EN 60068-2-6) ≤ 1000 m/s ² (EN 60068-2-27)			
Max. operating temp.	115 °C			
Min. operating temp.	–20 °C			
Protection EN 60529	IP 20 when mounted			
Weight	Approx. 0.06 kg			

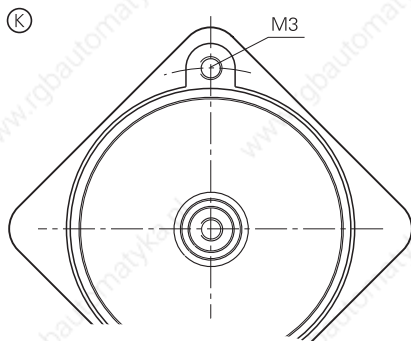
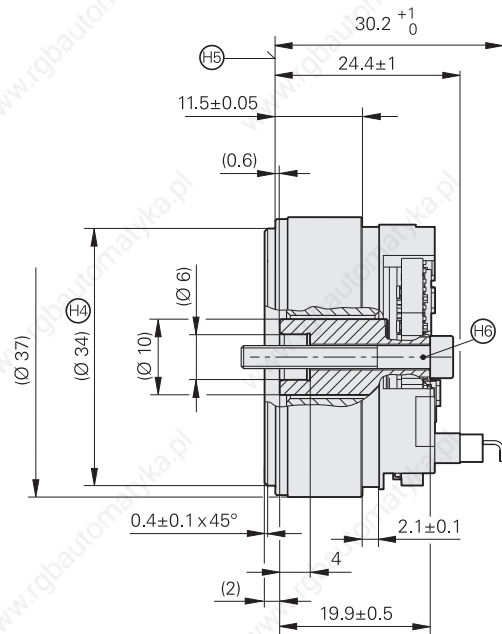
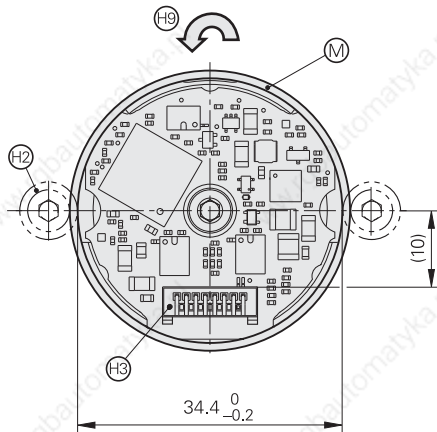
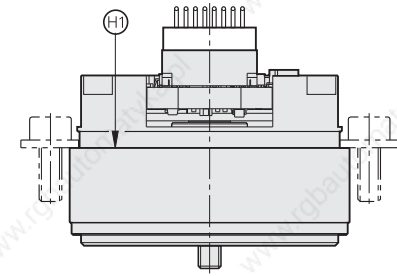
* Please select when ordering

¹⁾ Velocity-dependent deviation between the absolute and incremental signals

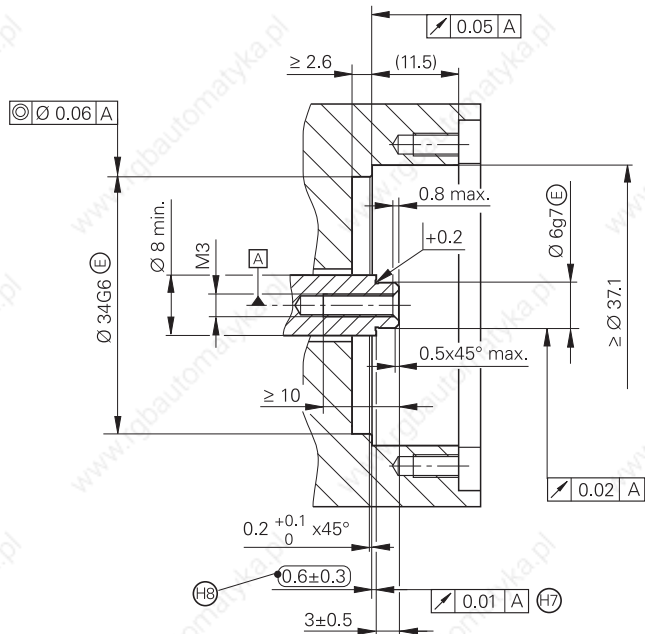
ECI 1118

Rotary encoders without integral bearing for integration in motors

- Installation diameter 37 mm
- Blind hollow shaft



mm
 Tolerancing ISO 8015
 ISO 2768 - m H
 < 6 mm: ±0.2 mm



- ▭ = Bearing of mating shaft
- ⊕ = Required mating dimensions
- ⊙ = Measuring point for operating temperature
- ⊕ = Clamping surface
- ⊕ = Proposed attachment: washer and self-locking screw M3, ISO 4762, width A/F 2.5. Tightening torque: 1.2 ± 0.1 Nm
- ⊕ = 15-pin plug connector
- ⊕ = Centering collar
- ⊕ = Supporting surface
- ⊕ = Self-locking screw, M3 x 25, ISO 4762, width A/F 2.5. Tightening torque: 1.2 ± 0.1 Nm
- ⊕ = Start of thread
- ⊕ = Maximum permissible distance between shaft and bearing surface of stator during mounting and operation
- ↻ = Direction of shaft rotation for output signals as per the interface description

	Absolute ECI 1118
Incremental signals	None
Absolute position values	EnDat 2.2
Ordering designation	EnDat 22
Position values per rev	262 144 (18 bits)
Revolutions	–
Elec. permissible speed/ deviations ¹⁾	15 000 min ⁻¹ for continuous position value
Calculation time t_{cal}	≤ 6 μs
System accuracy	± 120"
Power supply	DC 3.6 to 14 V
Power consumption (maximum)	3.6 V: ≤ 520 mW 14 V: ≤ 600 mW
Current consumption (typical)	5 V: 80 mA (without load)
Electrical connection	Via PCB connector, 15-pin
Shaft	Blind hollow shaft Ø 6 mm, axial clamping
Mech. permissible speed n	≤ 15 000 min ⁻¹
Moment of inertia of rotor	0.14 · 10 ⁻⁶ kgm ²
Permissible axial motion of measured shaft	± 0.3 mm
Vibration 55 to 2000 Hz Shock 6 ms	≤ 300 m/s ² (EN 60068-2-6) ≤ 1000 m/s ² (EN 60068-2-27)
Max. operating temp.	115 °C
Min. operating temp.	-20 °C
Protection EN 60529	IP 00 ²⁾
Weight	Approx. 0.05 kg

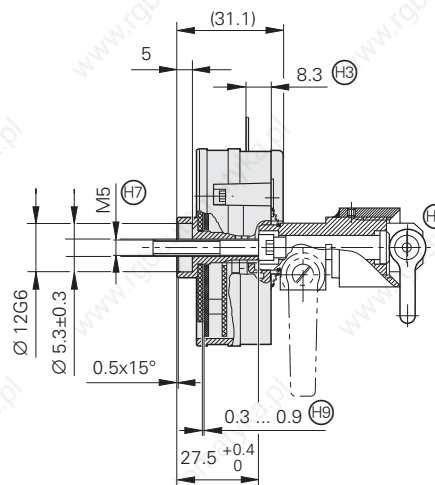
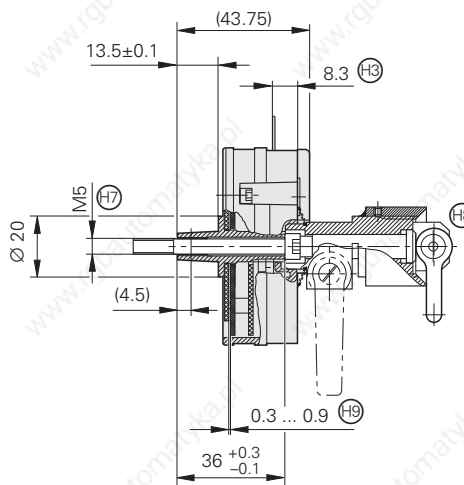
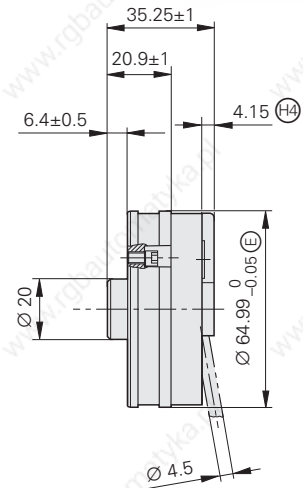
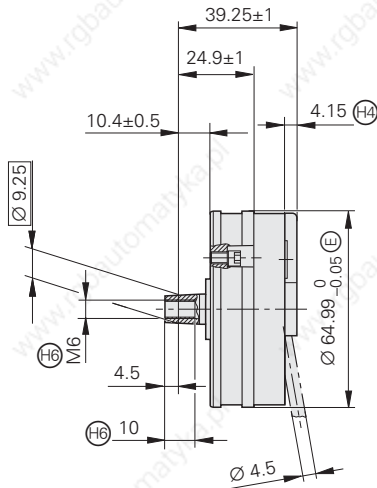
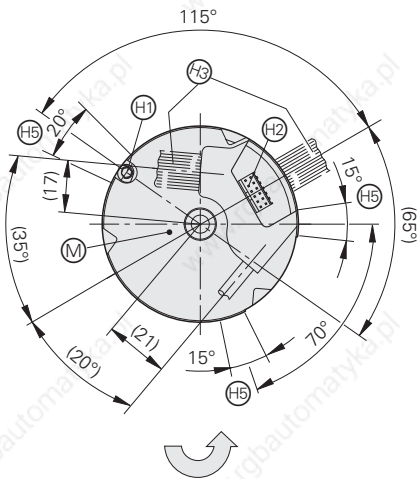
¹⁾ Velocity-dependent deviation between the absolute and incremental signals

²⁾ CE compliance of the complete system must be ensured by taking the correct measures during installation.

ECI/EQI 1300 Series

Rotary encoders without integral bearing for integration in motors

- Installation diameter 65 mm
- Taper shaft or blind hollow shaft

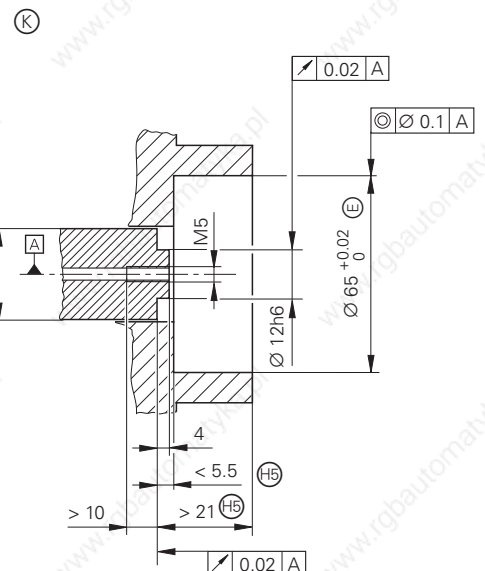
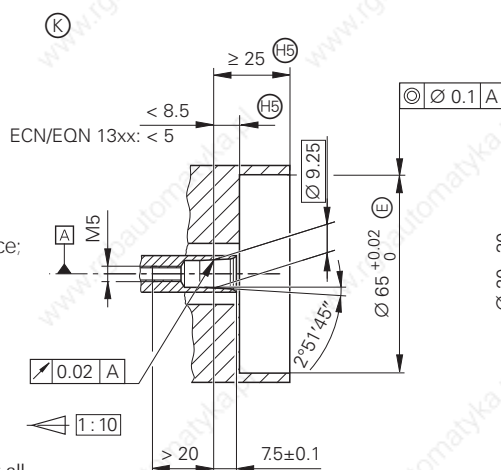




mm



Tolerancing ISO 8015
ISO 2768 - m H
< 6 mm: ±0.2 mm

- ▣ = Bearing
- ⊕ = Required mating dimensions
- ⊙ = Measuring point for operating temperature
- ⊕ = Mounting screw
Turn back by more than one revolution, and tighten with 2-0.5 Nm
- ⊕ = Plug connector, 12-pin
- ⊕ = Cable outlet for ribbon cable
- ⊕ = Cable outlet for round cable
- ⊕ = Minimum clamping and support surface; a closed diameter is best
- ⊕ = Back-off thread M6
- ⊕ = Cheese-head screw for hollow shaft: ISO 4762 - M5 x 35-A2
Cheese-head screw for taper shaft: ISO 4762 - M5 x 50-A2
Tightening torque: 5 Nm
- ⊕ = Setting tool for scanning gap
- ⊕ = Permissible scanning gap range over all operating conditions
- ↻ = Direction of shaft rotation for output signals as per the interface description



	Absolute			
	ECI 1319		EQI 1331	
Incremental signals	 1 V _{PP}	None	 1 V _{PP}	None
Line count	32	–	32	–
Cutoff frequency –3 dB	≥ 6 kHz typical	–	≥ 6 kHz typical	–
Absolute position values	EnDat 2.1			
Ordering designation	EnDat 01	EnDat 21	EnDat 01	EnDat 21
Position values per rev	524288 (19 bits)			
Revolutions	–		4096 (12 bits)	
Elec. permissible speed/ deviations ¹⁾	≤ 3750 min ⁻¹ /± 128 LSB ≤ 15000 min ⁻¹ /± 512 LSB	≤ 15000 min ⁻¹ for continuous position value	≤ 4000 min ⁻¹ /± 128 LSB ≤ 12000 min ⁻¹ /± 512 LSB	≤ 12000 min ⁻¹ for continuous position value
Calculation time t _{cal}	≤ 8 μs			
System accuracy	± 180"			
Power supply*	DC 5 V ± 5% or DC 7 to 10 V			
Power consumption (maximum)	5 V: ≤ 0.7 W 7 V: ≤ 1.0 W 10 V: ≤ 1.4 W		5 V: ≤ 0.75 W 7 V: ≤ 1.1 W 10 V: ≤ 1.55 W	
Current consumption (typical)	100 mA (without load)		110 mA (without load)	
Electrical connection	Via 12-pin PCB connector			
Shaft*/Moment of inertia of rotor	Taper shaft Ø 9.25 mm; Blind hollow shaft Ø 12.0 mm;	Taper 1:10 Length 5 mm	/2.2 x 10 ⁻⁶ kgm ² /3.2 x 10 ⁻⁶ kgm ²	
Mech. permissible speed n	≤ 15000 min ⁻¹		≤ 12000 min ⁻¹	
Permissible axial motion of measured shaft	–0.2/+0.4 mm with 0.5 mm scanning gap			
Vibration 55 to 2000 Hz Shock 6 ms	≤ 100 m/s ² (EN 60068-2-6) ≤ 1000 m/s ² (EN 60068-2-27)			
Max. operating temp.	115 °C			
Min. operating temp.	–20 °C			
Protection EN 60529	IP 20 when mounted			
Weight	Approx. 0.13 kg			

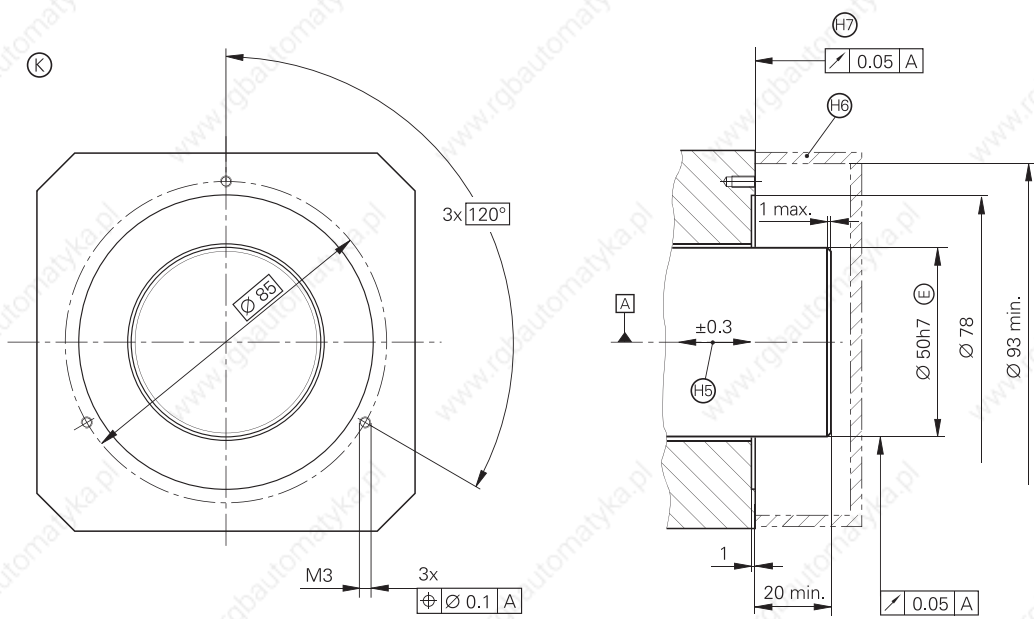
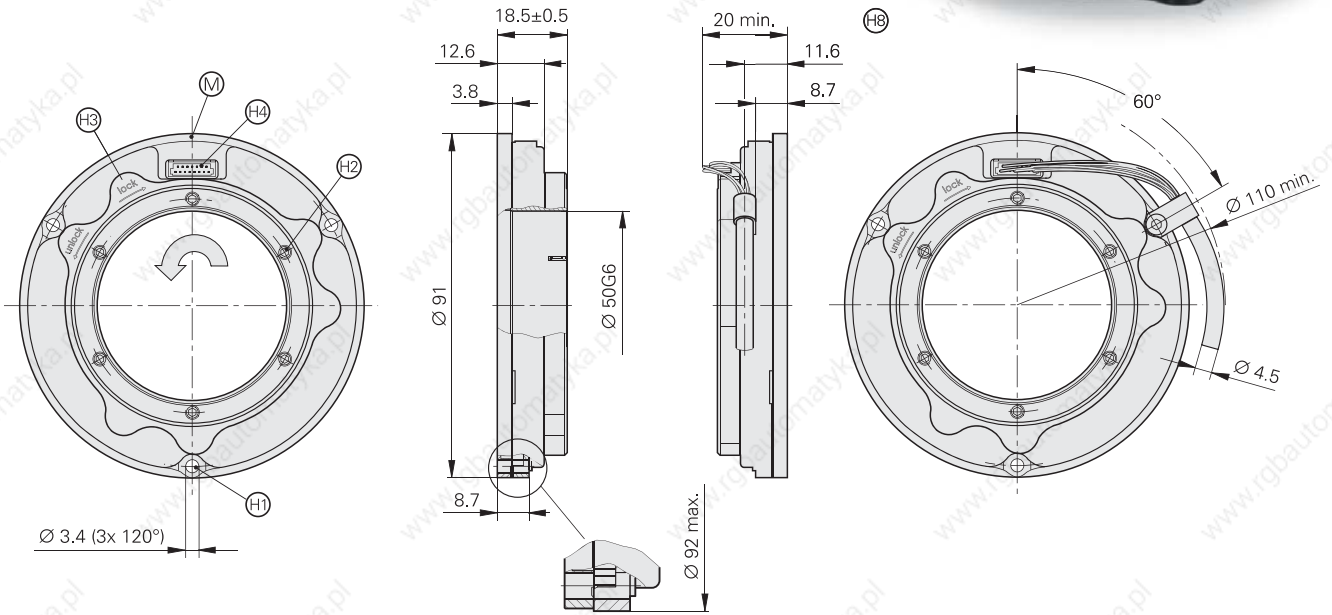
* Please select when ordering

¹⁾ Velocity-dependent deviations between the absolute and incremental signals

ECI 119

Rotary encoders without integral bearing for integration in motors

- Hollow through shaft $\varnothing 50$ mm
- Very flat design



mm
 Tolerancing ISO 8015
 ISO 2768 - m H
 < 6 mm: ± 0.2 mm

- ▣ = Bearing
- ⊗ = Required mating dimensions
- ⊕ = Measuring point for operating temperature
- ⊕ = Cylinder head screw ISO 4762-M3 with ISO 7092 (3x) washer. Tightening torque 0.9 ± 0.05 Nm
- ⊕ = SW 2.0 (6x). Evenly tighten crosswise with increasing tightening torque; final tightening torque 0.5 ± 0.05 Nm
- ⊕ = Shaft detent: For function, see Mounting/Removal
- ⊕ = 15-pin plug connector
- ⊕ = Compensation of mounting tolerances and thermal expansion, no dynamic motion
- ⊕ = Protection against contact as per EN 60529
- ⊕ = Required up to max. $\varnothing 92$ mm
- ⊕ = Required mounting frame for output cable with cable clamp (accessory). Bending radius of connecting wires min. R3
- ↻ Direction of shaft rotation for output signals as per the interface description

Absolute	
ECI 119	
Incremental signals	$\sim 1 V_{PP}$ -
Line counts	32 -
Cutoff frequency -3 dB	≥ 6 kHz typical -
Absolute position values	EnDat 2.1 EnDat 2.1
Order designation*	EnDat 01 EnDat 21
Position values per rev	524288 (19 bits)
Elec. permissible speed/ Deviations ¹⁾	$\leq 3750 \text{ min}^{-1}/\pm 128 \text{ LSB}$ $\leq 6000 \text{ min}^{-1}/\pm 512 \text{ LSB}$ $\leq 6000 \text{ min}^{-1}$ (for continuous position value)
Calculation time t_{cal}	$\leq 8 \mu\text{s}$
System accuracy	$\pm 90''$
Power supply	DC 5 V $\pm 5\%$
Power consumption (maximum)	$\leq 0.85 \text{ W}$
Current consumption (typical)	135 mA (without load)
Electrical connection	Via PCB connector, 15-pin
Shaft	Hollow through shaft $\varnothing 50 \text{ mm}$
Mech. permissible speed n	$\leq 6000 \text{ min}^{-1}$
Moment of inertia of rotor	$63 \cdot 10^{-6} \text{ kgm}^2$
Permissible axial motion of measured shaft	$\pm 0.3 \text{ mm}$
Vibration 55 to 2000 Hz Shock 6 ms	$\leq 300 \text{ m/s}^2$ (EN 60068-2-6) $\leq 1000 \text{ m/s}^2$ (EN 60068-2-27)
Max. operating temp.	115 °C
Min. operating temp.	-20 °C
Protection EN 60529	IP 20 when mounted
Weight	Approx. 0.14 kg

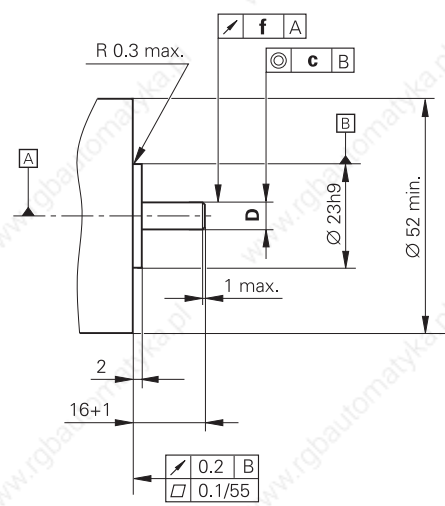
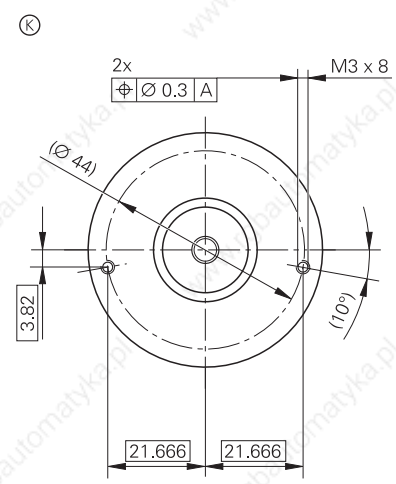
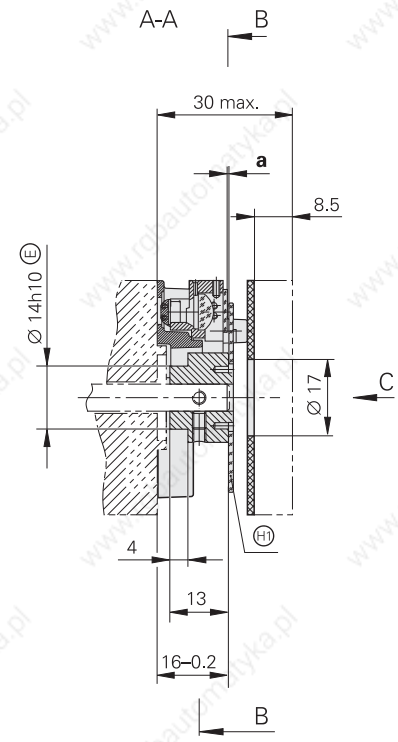
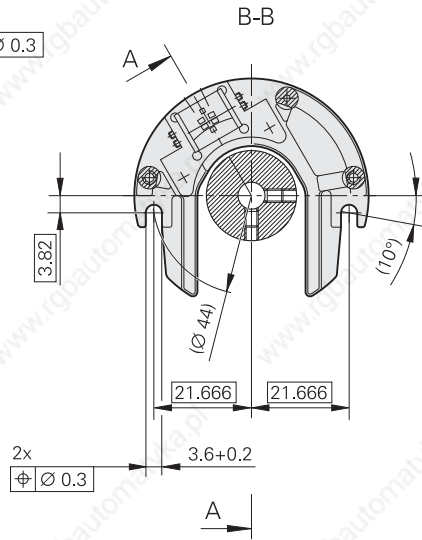
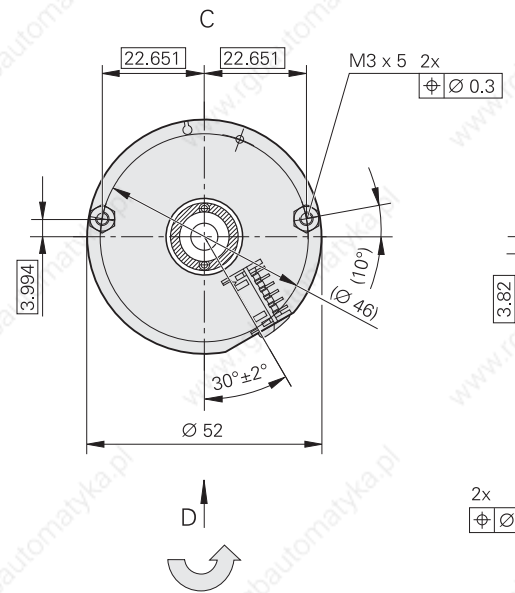
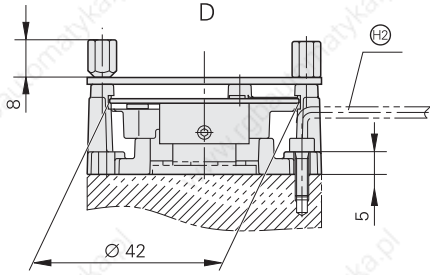
* Please select when ordering

¹⁾ Velocity-dependent deviation between the absolute and incremental signals

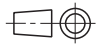
ERO 1200 Series

Rotary encoders without integral bearing for integration in motors

- Installation diameter 52 mm
- Hollow through shaft



mm



Tolerancing ISO 8015
ISO 2768 - m H
< 6 mm: ±0.2 mm

- ▣ = Bearing
- ⊕ = Required mating dimensions
- ⊙ = Disk/hub assembly
- ⊕ = Offset screwdriver ISO 2936 - 2.5 (l₂ shortened)
- ↻ = Direction of shaft rotation for output signals as per the interface description

D
∅ 10h6 ⊕
∅ 12h6 ⊕

	Z	a	f	c
ERO 1225	1024	0.6 ± 0.2	∅ 0.05	∅ 0.02
	2048	0.2 ± 0.05		
ERO 1285	1024	0.2 ± 0.03	∅ 0.03	∅ 0.02
	2048			

	Incremental	
	ERO 1225	ERO 1285
Incremental signals	□□TTL	~ 1 V _{PP}
Line count*	1024 2048	
Accuracy of the graduation ²⁾	± 6"	
Reference mark	One	
Scanning frequency Edge separation a Cutoff frequency -3 dB	≤ 300 kHz ≥ 0.39 μs -	- - ≥ Typically 180 kHz
System accuracy¹⁾	1024 lines: ± 92" 2048 lines: ± 73"	1024 lines: ± 67" 2048 lines: ± 60"
Power supply	DC 5 V ± 10%	
Current consumption (without load)	≤ 150 mA	
Electrical connection	Via 12-pin PCB connector	
Shaft*	Hollow through shaft Ø 10 mm or Ø 12 mm	
Moment of inertia of rotor	Shaft Ø 10 mm: $2.2 \cdot 10^{-6}$ kgm ² Shaft Ø 12 mm: $2.15 \cdot 10^{-6}$ kgm ²	
Mech. permissible speed n	≤ 25000 min ⁻¹	
Permissible axial motion of measured shaft	1024 lines: ± 0.2 mm 2048 lines: ± 0.05 mm	± 0.03 mm
Vibration 55 to 2000 Hz Shock 6 ms	≤ 100 m/s ² (EN 60068-2-6) ≤ 1000 m/s ² (EN 60068-2-27)	
Max. operating temp.	100 °C	
Min. operating temp.	-40 °C	
Protection EN 60529	IP 00 ³⁾	
Weight	Approx. 0.07 kg	

* Please select when ordering

¹⁾ Before installation. Additional error caused by mounting inaccuracy and inaccuracy from the bearing of the measured shaft are not included.

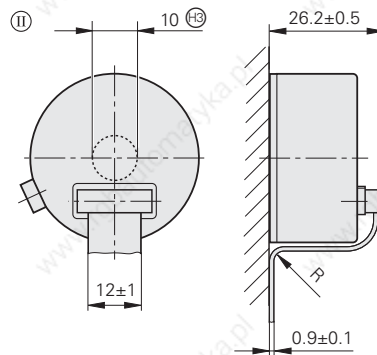
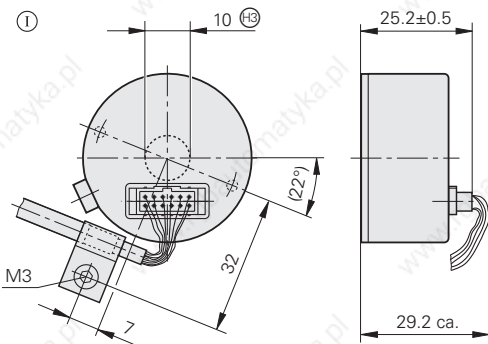
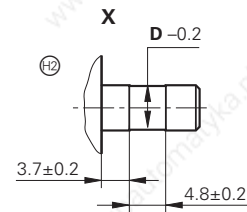
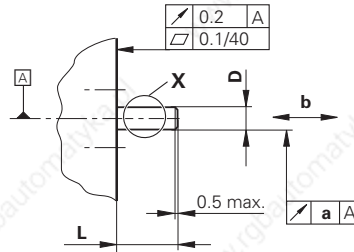
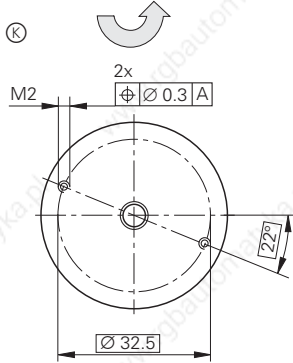
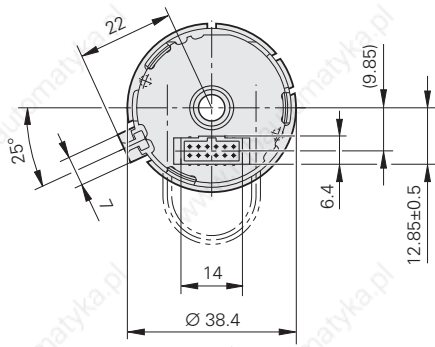
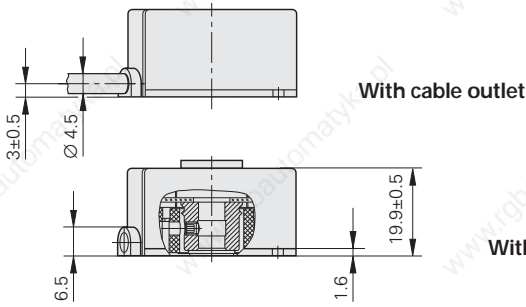
²⁾ For other errors, see *Measuring Accuracy*

³⁾ CE compliance of the complete system must be ensured by taking the correct measures during installation.

ERO 1400 Series

Rotary encoders without integral bearing

- For integration in motors with PCB connector (protection IP 00)
- For mounting on motors with cable outlet (protection IP 40)
- Installation diameter 44 mm



Axial PCB connector and round cable

Axial PCB connector and ribbon cable

mm



Tolerancing ISO 8015

ISO 2768 - m H

< 6 mm: ±0.2 mm

- Ⓐ = Bearing
- Ⓢ = Required mating dimensions
- Ⓛ = Accessory: Round cable
- Ⓜ = Accessory: Ribbon cable
- Ⓣ = Setscrew, 2x90° offset, M3, width A/F 1.5 M_d = 0.25 ± 0.05 Nm
- Ⓤ = Version for repeated assembly
- Ⓟ = Version featuring housing with central hole (accessory)
- ↻ = Direction of shaft rotation for output signals as per the interface description

L	13+4.5/-3	10 min.

	Bend radius R	Fixed cable	Frequent flexing
Ribbon cable		R ≥ 2 mm	R ≥ 10 mm

	a	b	D
ERO 1420	0.03	± 0.1	∅ 4h6 Ⓢ
ERO 1470	0.02	± 0.05	∅ 6h6 Ⓢ
ERO 1480			∅ 8h6 Ⓢ

	Incremental					
	ERO 1420	ERO 1470				ERO 1480
Incremental signals						1 V _{PP}
Line count*	512 1000 1024	1000 1500				512 1000 1024
Integrated interpolation*	–	5-fold	10-fold	20-fold	25-fold	–
Signal periods/revolution	512 1000 1024	5000 7500	10000 15000	20000 30000	25000 37500	512 1000 1024
Edge separation a	≥ 0.39 μs	≥ 0.47 μs	≥ 0.22 μs	≥ 0.17 μs	≥ 0.07 μs	–
Scanning frequency	≤ 300 kHz	≤ 100 kHz		≤ 62.5 kHz	≤ 100 kHz	–
Cutoff frequency –3 dB	–					≥ 180 kHz
Reference mark	One					
System accuracy	512 lines: ± 139" 1000 lines: ± 112" 1024 lines: ± 112"	1000 lines: ± 130" 1500 lines: ± 114"				512 lines: ± 190" 1000 lines: ± 163" 1024 lines: ± 163"
Power supply	DC 5 V ± 10%	DC 5 V ± 5%				DC 5 V ± 10%
Current consumption (without load)	≤ 150 mA	≤ 155 mA		≤ 200 mA		≤ 150 mA
Electrical connection*	<ul style="list-style-type: none"> Over 12-pin axial PCB connector Cable 1 m, radial, without connecting element (not with ERO 1470) 					
Shaft*	Blind hollow shaft Ø 4 mm; Ø 6 mm or Ø 8 mm or hollow through shaft in housing with bore (accessory)					
Moment of inertia of rotor	Shaft Ø 4 mm: 0.28 · 10 ⁻⁶ kgm ² Shaft Ø 6 mm: 0.27 · 10 ⁻⁶ kgm ² Shaft Ø 8 mm: 0.25 · 10 ⁻⁶ kgm ²					
Mech. permitt. speed n	≤ 30000 min ⁻¹					
Permissible axial motion of measured shaft	± 0.1 mm		± 0.05 mm			
Vibration 55 to 2000 Hz Shock 6 ms	≤ 100 m/s ² (EN 60068-2-6) ≤ 1000 m/s ² (EN 60068-2-27)					
Max. operating temp.	70 °C					
Min. operating temp.	–10 °C					
Protection EN 60529	With PCB connector: IP 00 ²⁾ With cable outlet: IP 40					
Weight	Approx. 0.07 kg					

Bold: These preferred versions are available on short notice

* Please select when ordering

¹⁾ Before installation. Additional error caused by mounting inaccuracy and inaccuracy from the bearing of the measured shaft are not included.

²⁾ CE compliance of the complete system must be ensured by taking the correct measures during installation.

Interfaces

Incremental Signals $\sim 1 V_{PP}$

HEIDENHAIN encoders with $\sim 1 V_{PP}$ interface provide voltage signals that can be highly interpolated.

The sinusoidal **incremental signals** A and B are phase-shifted by 90° elec. and have an amplitude of typically $1 V_{PP}$. The illustrated sequence of output signals—with B lagging A—applies for the direction of motion shown in the dimension drawing.

The **reference mark signal** R has a usable component G of approx. $0.5 V$. Next to the reference mark, the output signal can be reduced by up to $1.7 V$ to a quiescent level H. This must not cause the subsequent electronics to overdrive. Even at the lowered signal level, signal peaks with the amplitude G can also appear.

The data on **signal amplitude** apply when the power supply given in the specifications is connected to the encoder. They refer to a differential measurement at the 120 ohm terminating resistor between the associated outputs. The signal amplitude decreases with increasing frequency. The **cutoff frequency** indicates the scanning frequency at which a certain percentage of the original signal amplitude is maintained:

- $-3 \text{ dB} \triangleq 70 \%$ of the signal amplitude
- $-6 \text{ dB} \triangleq 50 \%$ of the signal amplitude

The data in the signal description apply to motions at up to 20% of the -3 dB cutoff frequency.

Interpolation/resolution/measuring step
The output signals of the $1\text{-}V_{PP}$ interface are usually interpolated in the subsequent electronics in order to attain sufficiently high resolutions. For **velocity control**, interpolation factors are commonly over 1000 in order to receive usable velocity information even at low speeds.

Measuring steps for **position measurement** are recommended in the specifications. For special applications, other resolutions are also possible.

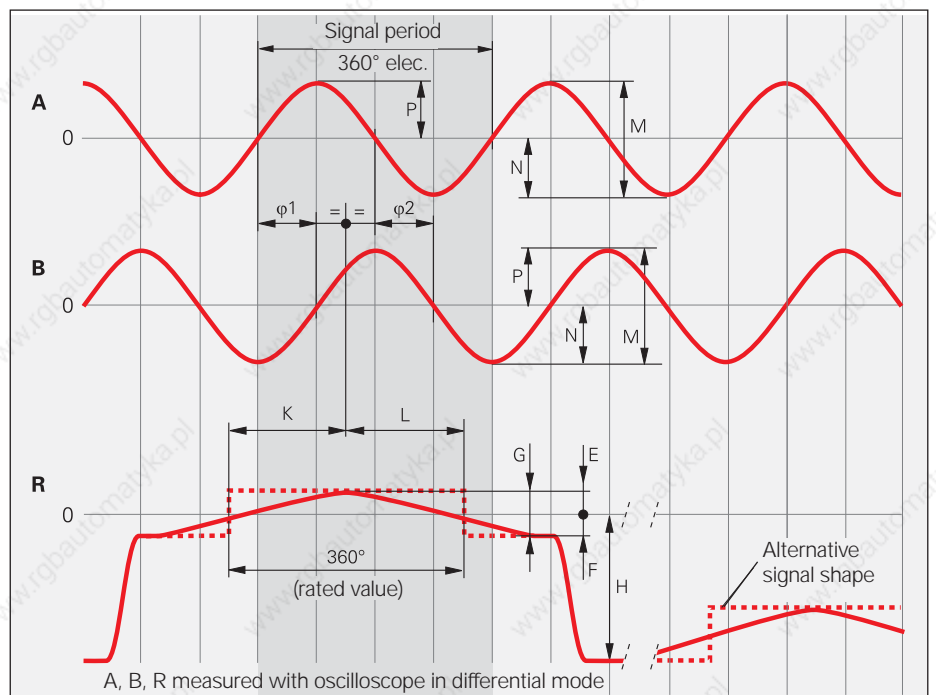
Short-circuit stability

A temporary short circuit of one signal output to $0 V$ or U_P (except encoders with $U_{Pmin} = 3.6 V$) does not cause encoder failure, but it is not a permissible operating condition.

Short circuit at	20 °C	125 °C
One output	< 3 min	< 1 min
All outputs	< 20 s	< 5 s

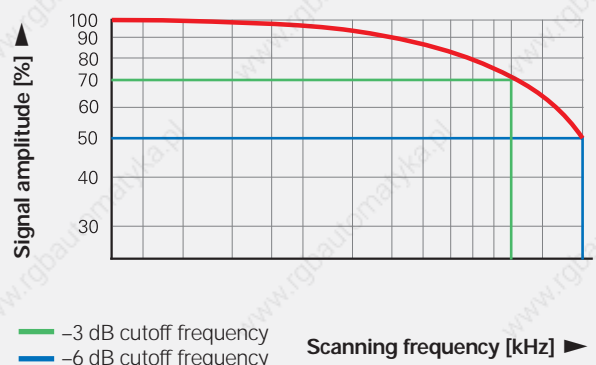
Interface	Sinusoidal voltage signals $\sim 1 V_{PP}$
Incremental signals	2 nearly sinusoidal signals A and B Signal amplitude M: 0.6 to $1.2 V_{PP}$; typically $1 V_{PP}$ Asymmetry $ P - N /2M$: ≤ 0.065 Amplitude ratio M_A/M_B : 0.8 to 1.25 Phase angle $ \varphi_1 + \varphi_2 /2$: $90^\circ \pm 10^\circ$ elec.
Reference-mark signal	One or several signal peaks R Usable component G: $\geq 0.2 V$ Quiescent value H: $\leq 1.7 V$ Switching threshold E, F: 0.04 to $0.68 V$ Zero crossovers K, L: $180^\circ \pm 90^\circ$ elec.
Connecting cables	Shielded HEIDENHAIN cable PUR [$4(2 \times 0.14 \text{ mm}^2) + (4 \times 0.5 \text{ mm}^2)$] Cable length Propagation time Max. 150 m with 90 pF/m distributed capacitance 6 ns/m

These values can be used for dimensioning of the subsequent electronics. Any limited tolerances in the encoders are listed in the specifications. For encoders without integral bearing, reduced tolerances are recommended for initial operation (see the mounting instructions).



Cutoff frequency

Typical signal amplitude curve with respect to the scanning frequency



Input circuitry of the subsequent electronics

Dimensioning

Operational amplifier MC 34074

$Z_0 = 120 \Omega$

$R_1 = 10 \text{ k}\Omega$ and $C_1 = 100 \text{ pF}$

$R_2 = 34.8 \text{ k}\Omega$ and $C_2 = 10 \text{ pF}$

$U_B = \pm 15 \text{ V}$

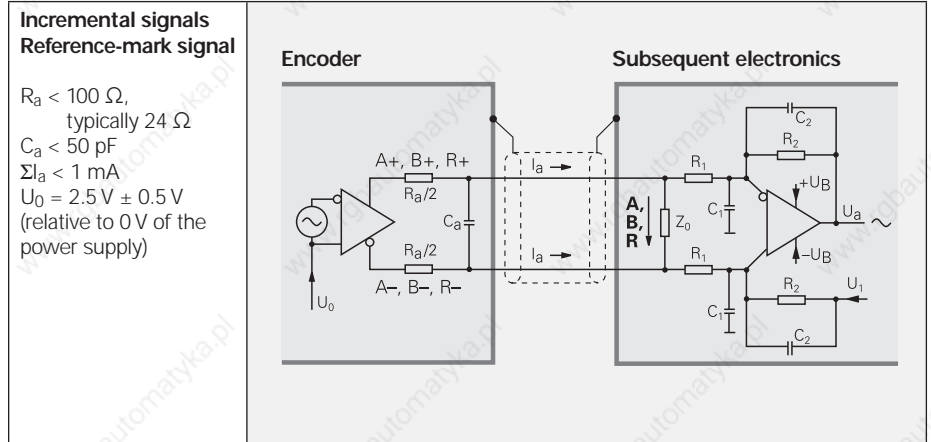
U_1 approx. U_0

-3 dB cutoff frequency of circuitry

Approx. 450 kHz

Approx. 50 kHz with $C_1 = 1000 \text{ pF}$
and $C_2 = 82 \text{ pF}$

The circuit variant for 50 kHz does reduce the bandwidth of the circuit, but in doing so it improves its noise immunity.



Circuit output signals

$U_a = 3.48 \text{ V}_{PP}$ typically

Gain 3.48

Monitoring of the incremental signals

The following sensitivity levels are recommended for monitoring the signal amplitude M :

Lower threshold: 0.30 V_{PP}

Upper threshold: 1.35 V_{PP}

Pin layout

12-pin coupling M23	12-pin PCB connector				15-pin PCB connector						15-pin D-sub connector For IK 215/PWM 20		
	Power supply				Incremental signals						Other signals		
	12	2	10	11	5	6	8	1	3	4	9	7	/
	4	12	2	10	1	9	3	11	14	7	5/6/8/15	13	/
	2a	2b	1a	1b	6b	6a	5b	5a	4b	4a	3b	3a	/
	13	11	14	12	1	2	3	4	5	6	8/9/10/15	7	/
	U_P	Sensor U_P	0V	Sensor 0V	A+	A-	B+	B-	R+	R-	Vacant	Vacant	Vacant
	Brown/ Green	Blue	White/ Green	White	Brown	Green	Gray	Pink	Red	Black	/	Violet	Yellow

Output cable for ERN 1381 in the motor ID 340111-xx	17-pin flange socket M23				12-pin PCB connector								
	Power supply				Incremental signals						Other signals		
	7	1	10	4	15	16	12	13	3	2	5	6	8/9/11/ 14/17
	2a	2b	1a	1b	6b	6a	5b	5a	4b	4a	/	/	3a/3b
	U_P	Sensor U_P	0V	Sensor 0V	A+	A-	B+	B-	R+	R-	T^+ ¹⁾	T^- ¹⁾	Vacant
	Brown/ Green	Blue	White/ Green	White	Brown	Green	Gray	Pink	Red	Black	Brown ¹⁾	White ¹⁾	/

Cable shield connected to housing; U_P = power supply; ¹⁾ Only for encoder cable inside the motor housing

Sensor: The sensor line is connected in the encoder with the corresponding power line.

Vacant pins or wires must not be used!

Interfaces

Incremental Signals \square TTL

HEIDENHAIN encoders with \square TTL interface incorporate electronics that digitize sinusoidal scanning signals with or without interpolation.

The **incremental signals** are transmitted as the square-wave pulse trains U_{a1} and U_{a2} , phase-shifted by 90° elec. The **reference mark signal** consists of one or more reference pulses U_{a0} , which are gated with the incremental signals. In addition, the integrated electronics produce their **inverted signals** $\overline{U_{a1}}$, $\overline{U_{a2}}$ and $\overline{U_{a0}}$ for noise-proof transmission. The illustrated sequence of output signals—with U_{a2} lagging U_{a1} —applies to the direction of motion shown in the dimension drawing.

The **fault-detection signal** $\overline{U_{aS}}$ indicates fault conditions such as breakage of the power line or failure of the light source. It can be used for such purposes as machine shut-off during automated production.

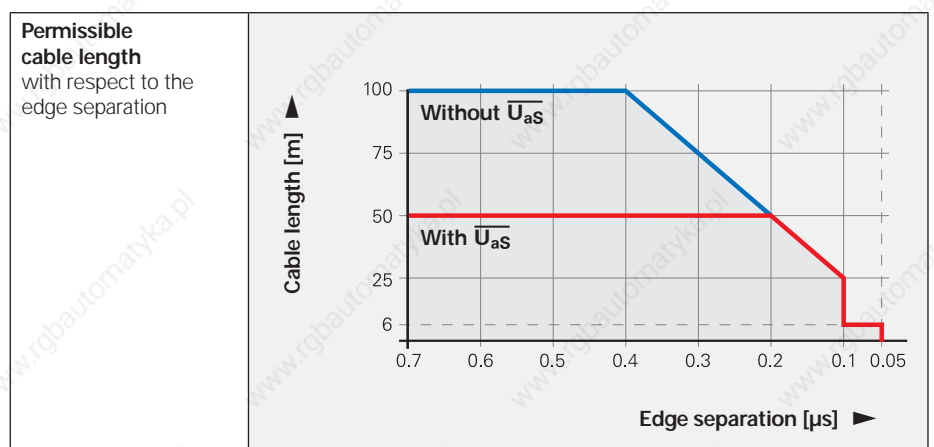
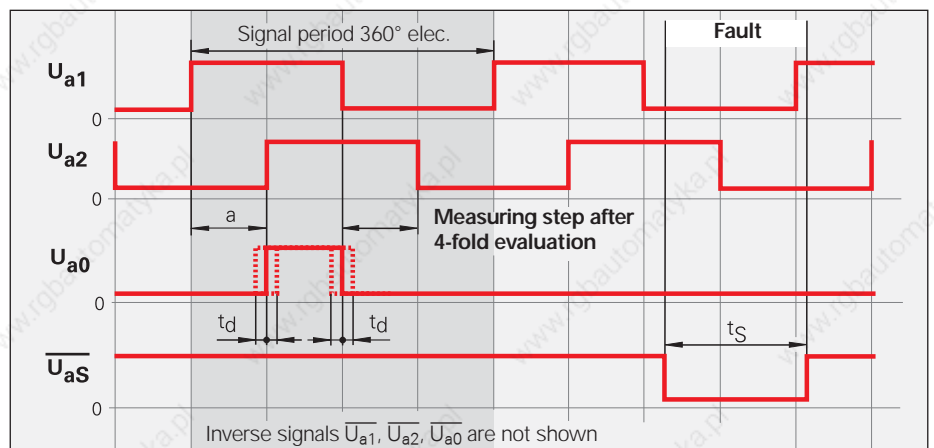
The distance between two successive edges of the incremental signals U_{a1} and U_{a2} through 1-fold, 2-fold or 4-fold evaluation is one **measuring step**.

The subsequent electronics must be designed to detect each edge of the square-wave pulse. The minimum **edge separation a** listed in the *Specifications* applies to the illustrated input circuitry with a cable length of 1 m, and refers to a measurement at the output of the differential line receiver. Propagation-time differences in cables additionally reduce the edge separation by 0.2 ns per meter of cable length. To prevent counting errors, design the subsequent electronics to process as little as 90 % of the resulting edge separation.

The max. permissible **shaft speed** or **traversing velocity** must never be exceeded.

The permissible **cable length** for transmission of the TTL square-wave signals to the subsequent electronics depends on the edge separation a . It is at most 100 m, or 50 m for the fault detection signal. This requires, however, that the power supply (see *Specifications*) be ensured at the encoder. The sensor lines can be used to measure the voltage at the encoder and, if required, correct it with an automatic control system (remote sense power supply).

Interface	Square-wave signals \square TTL
Incremental signals	2 square-wave signals U_{a1}, U_{a2} and their inverted signals $\overline{U_{a1}}$, $\overline{U_{a2}}$
Reference-mark signal Pulse width Delay time	1 or more TTL square-wave pulses U_{a0} and their inverted pulses $\overline{U_{a0}}$ 90° elec. (other widths available on request); <i>LS 323</i> : ungated $ t_d \leq 50$ ns
Fault-detection signal Pulse width	1 TTL square-wave pulse $\overline{U_{aS}}$ Improper function: LOW (upon request: U_{a1}/U_{a2} high impedance) Proper function: HIGH $t_s \geq 20$ ms
Signal amplitude	Differential line driver as per EIA standard RS-422 $U_H \geq 2.5$ V at $-I_H = 20$ mA <i>ERN 1x23</i> : 10 mA $U_L \leq 0.5$ V at $I_L = 20$ mA <i>ERN 1x23</i> : 10 mA
Permissible load	$Z_0 \geq 100 \Omega$ Between associated outputs $ I_L \leq 20$ mA Max. load per output (<i>ERN 1x23</i> : 10 mA) $C_{load} \leq 1000$ pF With respect to 0 V Outputs protected against short circuit to 0 V
Switching times (10% to 90%)	$t_+ / t_- \leq 30$ ns (typically 10 ns) with 1 m cable and recommended input circuitry
Connecting cables Cable length Propagation time	Shielded HEIDENHAIN cable PUR [$4(2 \times 0.14 \text{ mm}^2) + (4 \times 0.5 \text{ mm}^2)$] Max. 100 m ($\overline{U_{aS}}$ max. 50 m) at distributed capacitance 90 pF/m 6 ns/m

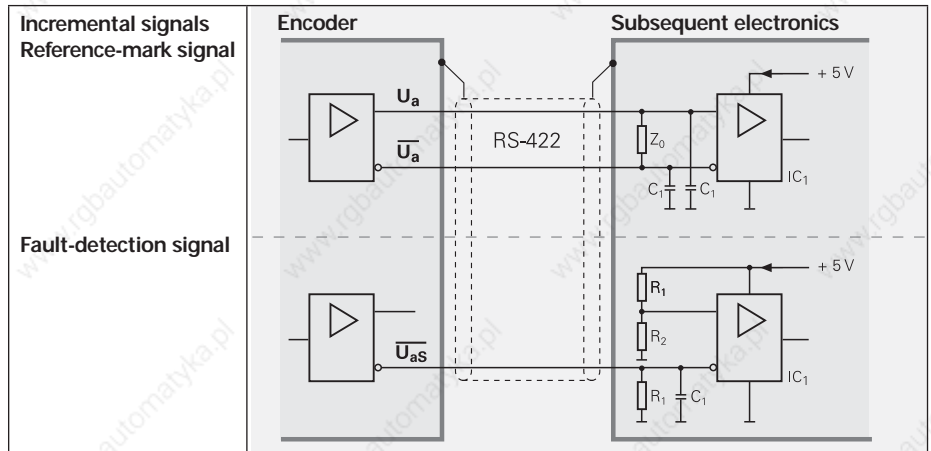


Input circuitry of the subsequent electronics

Dimensioning

IC₁ = Recommended differential line receiver
 DS 26 C 32 AT
 Only for a > 0.1 µs:
 AM 26 LS 32
 MC 3486
 SN 75 ALS 193

R₁ = 4.7 kΩ
 R₂ = 1.8 kΩ
 Z₀ = 120 Ω
 C₁ = 220 pF (serves to improve noise immunity)



Pin layout

	12-pin flange socket or M23 coupling				12-pin connector M23				15-pin D-sub connector For IK215/PWM 20				12-pin PCB connector				15-pin PCB connector			
	Power supply				Incremental signals						Other signals									
	12	2	10	11	5	6	8	1	3	4	7	/	9							
	4	12	2	10	1	9	3	11	14	7	13	5/6/8	15							
	2a	2b ¹⁾	1a	1b ¹⁾	6b	6a	5b	5a	4b	4a	3a	3b	/							
	13	11	14	12	1	2	3	4	5	6	7	8/9/10/15	/							
	U _P	Sensor U _P	0V	Sensor 0V	U _{a1}	U _{a1}	U _{a2}	U _{a2}	U _{a0}	U _{a0}	U _{aS} ¹⁾	Vacant	Vacant ²⁾							
	Brown/ Green	Blue	White/ Green	White	Brown	Green	Gray	Pink	Red	Black	Violet	/	Yellow							

Cable shield connected to housing; U_P = power supply voltage

Sensor: The sensor line is connected in the encoder with the corresponding power line.

Vacant pins or wires must not be used!

¹⁾ ERO 14xx: Vacant

²⁾ Exposed linear encoders: Switchover TTL/11 µA_{PP} for PWT, otherwise vacant

Interfaces

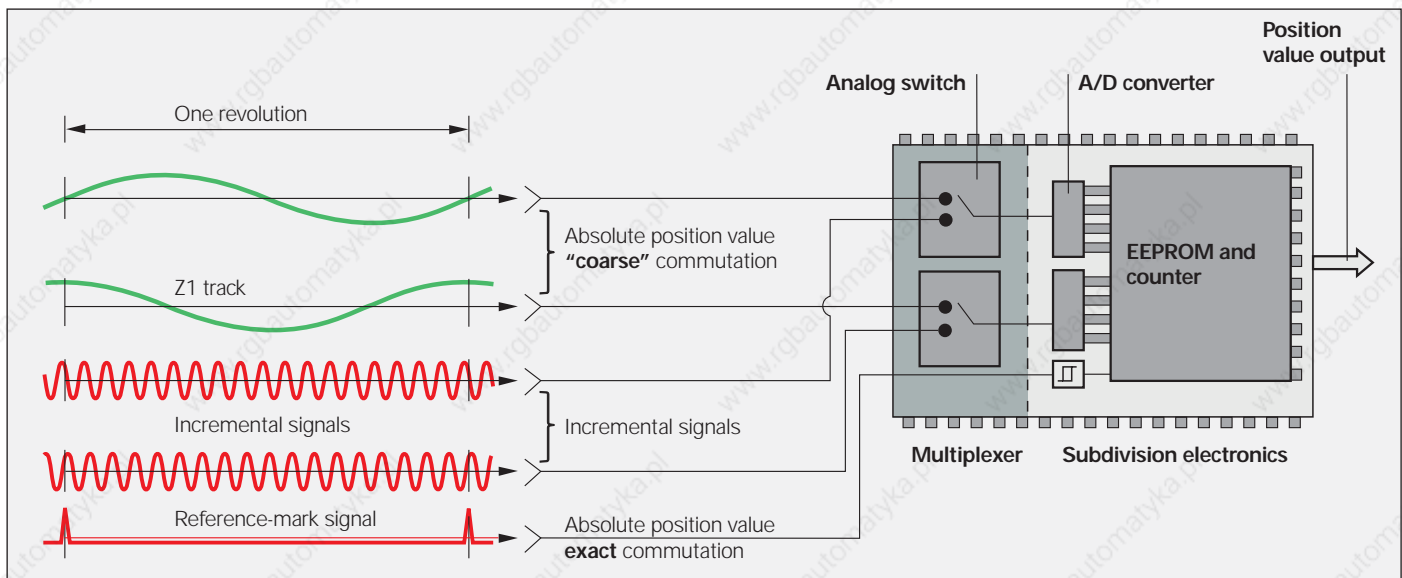
Commutation Signals for Sinusoidal Commutation

The **commutation signals C and D** are taken from the so-called Z1 track and form one sine or cosine period per revolution. They have a signal amplitude of typically $1 V_{PP}$ at $1 k\Omega$. The input circuitry of the subsequent electronics is the same as for the $\sim 1 V_{PP}$ interface. The required terminating resistor of Z_0 however, is $1 k\Omega$ instead of 120Ω .

The **ERN 1185** and **ERN 1387** are rotary encoders with commutation signals for sinusoidal commutation.

Interface	Sinusoidal voltage signals $\sim 1 V_{PP}$
Commutation signals	2 nearly sinusoidal signals C and D See <i>Incremental Signals</i> $\sim 1 V_{PP}$
Incremental signals	See <i>Incremental Signals</i> $\sim 1 V_{PP}$
Connecting cables	Shielded HEIDENHAIN cable PUR [4(2 x 0.14 mm ²) + (4 x 0.14 mm ²) + (4 x 0.5 mm ²)] Cable length Max. 150 m Propagation time 6 ns/m

Electronic commutation with Z1 track



Pin layout

17-pin HEIDENHAIN coupling or flange socket M23 						14-pin PCB connector 					
	Power supply					Incremental signals					
	7	1	10	4	11	15	16	12	13	3	2
	1b	7a	5b	3a	/	6b	2a	3b	5a	4b	4a
	Up	Sensor Up ¹⁾	0V	Sensor 0V ¹⁾	Internal shield	A+	A-	B+	B-	R+	R-
	Brown/ Green	Blue	White/ Green	White	/	Green/ Black	Yellow/ Black	Blue/Black	Red/Black	Red	Black

	Other signals					
	14	17	9	8	5	6
	7b	1a	2b	6a	/	/
	C+	C-	D+	D-	T+ ²⁾	T- ²⁾
	Gray	Pink	Yellow	Violet	Green	Brown

Cable shield connected to housing;
Up = power supply; **T** = temperature
Sensor: The sensor line is connected internally with the corresponding power line.
 Vacant pins or wires must not be used!

1) Not assigned if a power of 7 to 10 V is supplied via motor-internal adapter cable
 2) Only for motor-internal adapter cables

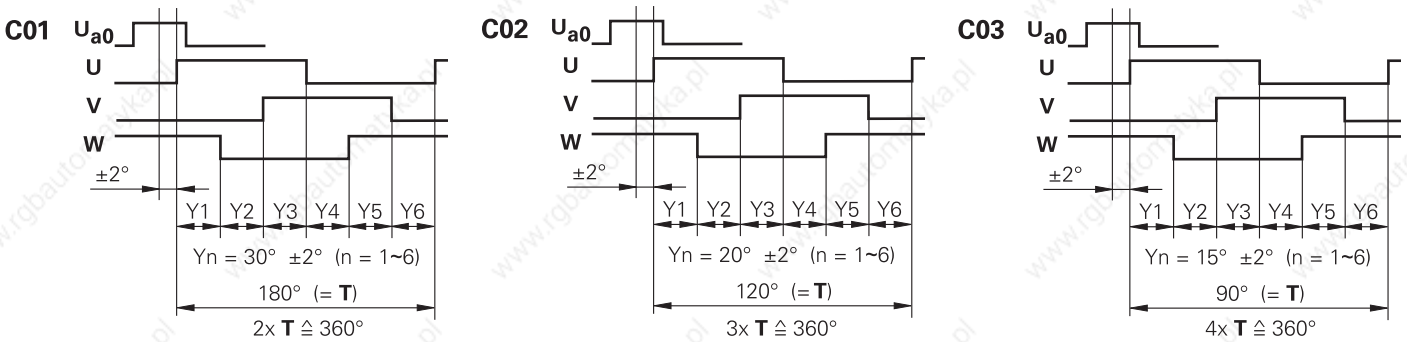
Commutation Signals for Block Commutation

The **block commutation signals U, V and W** are derived from three separate absolute tracks. They are transmitted as square-wave signals in TTL levels.

The **ERN 1x23** and **ERN 1326** are rotary encoders with commutation signals for block commutation.

Interface	Square-wave signals \square TTL
Commutation signals	Three square-wave signals U, V, W and their inverse signals \bar{U} , \bar{V} , \bar{W}
Width	2x180° mech., 3x120° mech. or 4x90° mech. (other versions upon request)
Signal levels	See <i>Incremental Signals</i> \square TTL
Incremental signals	See <i>Incremental Signals</i> \square TTL
Connecting cables	Shielded HEIDENHAIN cable PUR [6(2 x 0.14 mm ²) + (4 x 0.5 mm ²)]
Cable length	Max. 100 m
Propagation time	6 ns/m

Commutation signals (Values in mechanical degrees)



Pin layout

17-pin flange socket M23				16-pin PCB connector				15-pin PCB connector			
	Power supply				Incremental signals						
	7	1	10	11	15	16	12	13	3	2	
	1b	2b	1a	/	5b	5a	4b	4a	3b	3a	
	13	/	14	/	1	2	3	4	5	6	
	U_P	Sensor U_P	0V	Internal shield	U_{a1}	\bar{U}_{a1}	U_{a2}	\bar{U}_{a2}	U_{a0}	\bar{U}_{a0}	
	Brown/Green	Blue	White/Green	/	Green/Black	Yellow/Black	Blue/Black	Red/Black	Red	Black	

Other signals							
	4	5	6	14	17	9	8
	2a	8b	8a	6b	6a	7b	7a
	/	7	8	9	10	11	12
	\bar{U}_{aS}	U	\bar{U}	V	\bar{V}	W	\bar{W}
	White	Green	Brown	Yellow	Violet	Gray	Pink

Cable shield connected to housing;
 U_P = power supply
Sensor: The sensor line is connected in the encoder with the corresponding power line.
 Vacant pins or wires must not be used!

Interfaces

Absolute Position Values EnDat

The EnDat interface is a digital, **bidirectional** interface for encoders. It is capable both of transmitting **position values** as well as transmitting or updating information stored in the encoder, or saving new information. Thanks to the **serial transmission method**, only **four signal lines** are required. The data is transmitted in **synchronism** with the clock signal from the subsequent electronics. The type of transmission (position values, parameters, diagnostics, etc.) is selected through mode commands that the subsequent electronics send to the encoder. Some functions are available only with EnDat 2.2 mode commands.

For more information, refer to the *EnDat* Technical Information sheet or visit www.endat.de.

Position values can be transmitted with or without additional information (e.g. position value 2, temperature sensors, diagnostics, limit position signals). Besides the position, additional information can be interrogated in the closed loop and functions can be performed with the EnDat 2.2 interface.

Parameters are saved in various memory areas, e.g.:

- Encoder-specific information
- Information of the OEM (e.g. "electronic ID label" of the motor)
- Operating parameters (datum shift, instructions, etc.)
- Operating status (alarm or warning messages)

Monitoring and diagnostic functions of the EnDat interface make a detailed inspection of the encoder possible.

- Error messages
- Warnings
- Online diagnostics based on valuation numbers (EnDat 2.2)

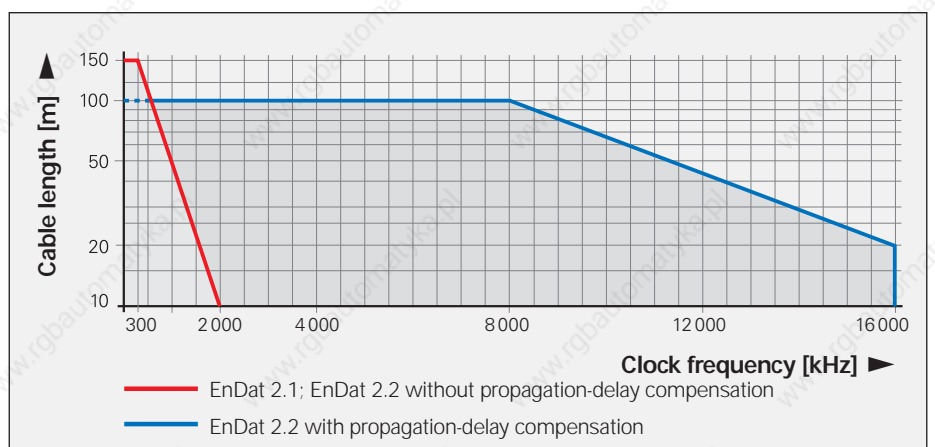
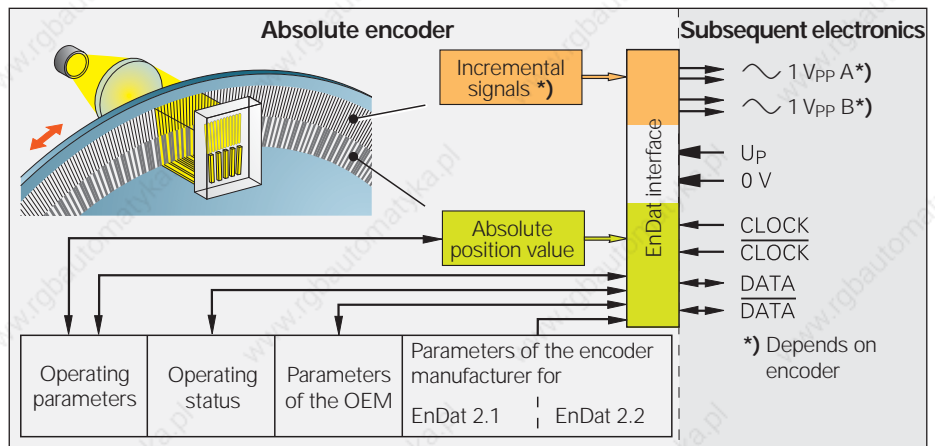
Incremental signals
EnDat encoders are available with or without incremental signals. EnDat 21 and EnDat 22 encoders feature a high internal resolution. An evaluation of the incremental signal is therefore unnecessary.

Clock frequency and cable length
The clock frequency is variable—depending on the cable length (max. 150 m)—between **100 kHz** and **2 MHz**. With propagation-delay compensation in the subsequent electronics, clock frequencies up to **16 MHz** at cable lengths up to 100 m are possible.

Interface	EnDat serial bidirectional
Data transfer	Absolute position values, parameters and additional information
Data input	Differential line receiver according to EIA standard RS 485 for the signals $\overline{\text{CLOCK}}$, $\overline{\text{CLOCK}}$, DATA and DATA
Data output	Differential line driver according to EIA standard RS 485 for the signals DATA and $\overline{\text{DATA}}$
Position Values	Ascending during traverse in direction of arrow (see dimensions of the encoders)
Incremental signals	$\sim 1 V_{PP}$ (see <i>Incremental Signals 1 V_{PP}</i>) depending on the unit

Ordering designation	Command set	Incremental signals	Power supply
EnDat 01	EnDat 2.1 or EnDat 2.2	With	See specifications of the encoder
EnDat 21		Without	
EnDat 02	EnDat 2.2	With	Expanded range DC 3.6 to 5.25 V or 14 V
EnDat 22	EnDat 2.2	Without	

Versions of the EnDat interface (bold print indicates standard versions)



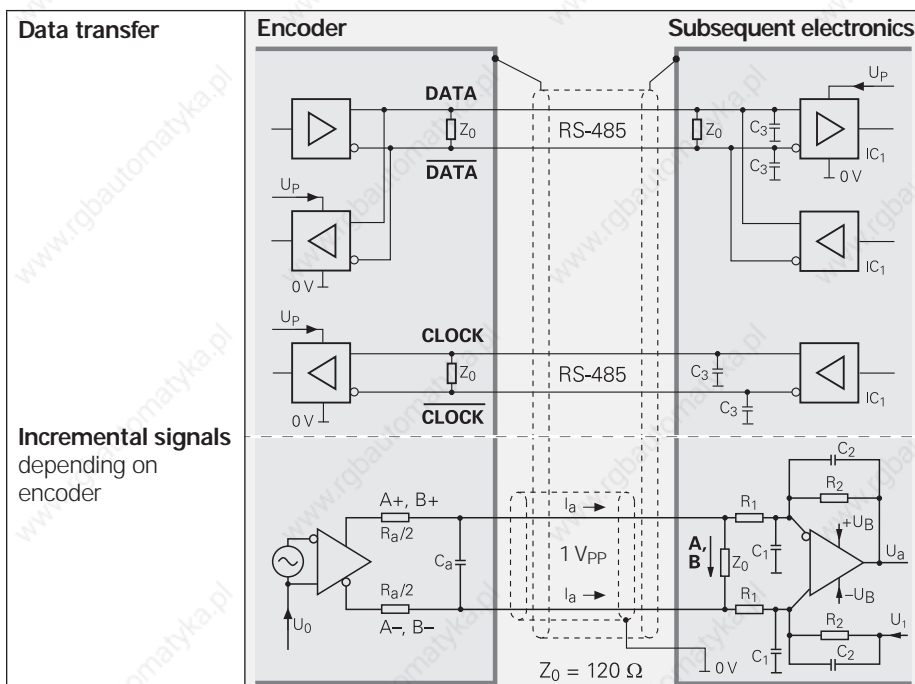
Input circuitry of the subsequent electronics

Dimensioning

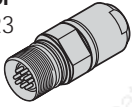

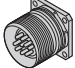
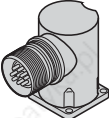
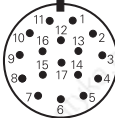
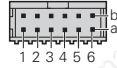

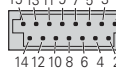





IC₁ = RS 485 differential line receiver and driver





$$C_3 = 330 \text{ pF}$$

$$Z_0 = 120 \Omega$$



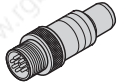

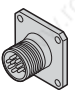

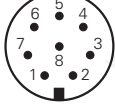
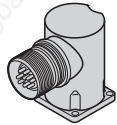

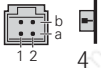
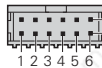
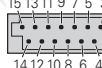






Pin Layout

17-pin coupling or flange socket M23					12-pin PCB connector					15-pin PCB connector				
														
Power supply					Incremental signals ¹⁾					Absolute position values				
	7	1	10	4	11	15	16	12	13	14	17	8	9	
	12	1b	6a	4b	3a	/	2a	5b	4a	3b	6b	1a	2b	5a
	13	11	14	12	/	1	2	3	4	7	8	9	10	
	U _P	Sensor ²⁾ U _P	0V	Sensor ²⁾ 0V	Internal shield	A+	A-	B+	B-	DATA	DATA	CLOCK	CLOCK	
	Brown/ Green	Blue	White/ Green	White	/	Green/ Black	Yellow/ Black	Blue/ Black	Red/ Black	Gray	Pink	Violet	Yellow	

Other signals	
	5 6
	/ /
	/ /
	T ³⁾ T ⁻³⁾
	Brown ³⁾ White ³⁾

Cable shield connected to housing; **U_P** = power supply voltage; **T** = temperature
Sensor: The sensor line is connected in the encoder with the corresponding power line.
 Vacant pins or wires must not be used!

- 1) Only with ordering designations EnDat 01 and EnDat 02
- 2) Not assigned if a power of 7 to 10 V is supplied via motor-internal adapter cable
- 3) Only for motor-internal adapter cables
- 4) Connections for external temperature sensor
- 5) **ECI 1118 EnDat 22:** Vacant
- 6) Only EnDat 22, except ECI 1118

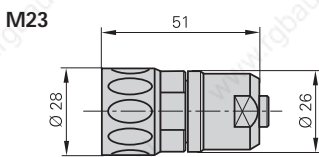
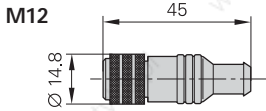
8-pin coupling or flange socket M12					9-pin flange socket M23								
													
4-pin PCB connector		12-pin PCB connector			15-pin PCB connector								
													
Power supply					Absolute position values				Other signals ³⁾				
	M12	8	2	5	1	3	4	7	6	/	/	/	/
	M23	3	7	4	8	5	6	1	2	/	/	/	/
	4	/	/	/	/	/	/	/	/	1a	1b	/	/
	12	1b	6a	4b	3a	6b	1a	2b	6a	/	/	/	/
	15	13	11	14	12	7	8	9	10	5	6	/	/
		U _P	Sensor ⁵⁾ U _P	0V	Sensor ⁵⁾ 0V	DATA	DATA	CLOCK	CLOCK	T ⁶⁾	T ⁻⁶⁾	T ^{4) 6)}	T ^{-4) 6)}
		Brown/ Green	Blue	White/ Green	White	Gray	Pink	Violet	Yellow	Brown	Green	Brown	White

Cables and Connecting Elements

General Information

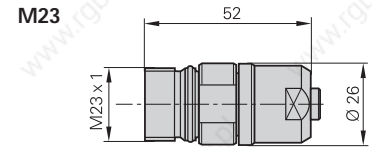
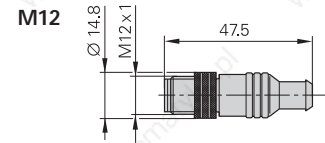
Connector (insulated): A connecting element with a coupling ring. Available with male or female contacts.

Symbols

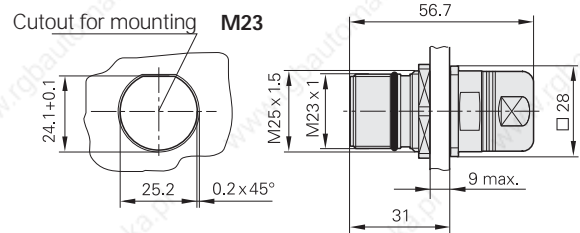


Coupling (insulated): Connecting element with external thread; available with male or female contacts.

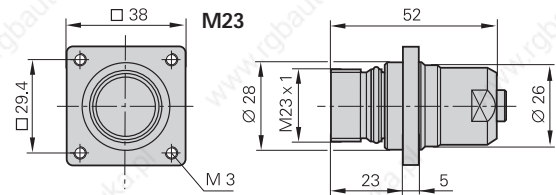
Symbols



Mounted coupling with central fastening

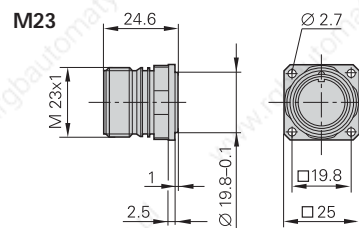
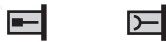


Mounted coupling with flange

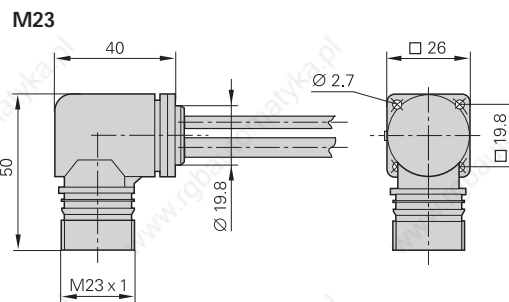


Flange socket: Permanently mounted on the encoder or a housing, with external thread (like a coupling), available with male or female contacts.

Symbols

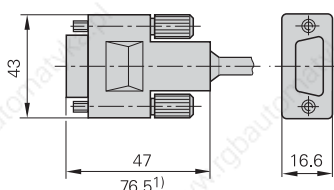


Right-angle flange socket (rotatable) on adapter cable inside the motor with connection for temperature sensor



D-sub connector: For HEIDENHAIN controls, counters and IK absolute value cards.

Symbols



¹) Interface electronics integrated in connector

The pins on connectors are **numbered** in the direction opposite to those on couplings or flange sockets, regardless of whether the connecting elements are

male contacts or



female contacts.



Accessories for flange sockets and M23 mounted couplings

Bell seal

ID 266526-01

Threaded metal dust cap

ID 219926-01




When engaged, the connections are **protected** to IP 67 (D-sub connector: IP 50; EN 60529). When not engaged, there is no protection.

Cables and Connecting Elements

Cables inside the Motor Housing

Encoder cables in the motor housing usually have a sheathing of a special elastomer (EPG). They are resistant to oil in accordance with VDE 0472 (Part 803/test type B) and to hydrolysis in accordance with VDE 0282 (Part 10). They are free of

silicone and halogens. In comparison with PUR cables, EPG cables are only conditionally resistant to media, frequent flexing and continuous torsion. In rigid configuration they can be used at up to 120 °C.




Cables inside the motor housing Cable diameter 4.5 mm For			Complete With PCB connector and right-angle socket M23, 17-pin	Complete With PCB connector and right-angle socket M23, 9-pin for pure serial data transmission	With one connector With PCB connector
	PCB connector	Crimp sleeve			
ECN 1113 EQN 1125	15-pin	Ø 4.5 mm	606 079-xx EPG 16xAWG30/7	–	605 090-xx EPG 16xAWG30/7
ECN 1123 EQN 1135	15-pin	Ø 4.5 mm	–	746 170-xx EPG [6 × (2 × 0.09 mm ²)]	681 161-xx EPG [6 × (2 × 0.09 mm ²)]
ECI 119	15-pin	Ø 4.5 mm	–	–	640 067-xx ¹⁾ EPG 16xAWG30/7
ECI 1118 EQI 1130 EnDat 01 EnDat 21	15-pin	–	–	–	640 030-xx ²⁾ TPE 12xAWG26/19
ECI 1118 EnDat 22	15-pin	–	–	–	735 784-xx ²⁾ TPE 6xAWG26/19
ERN 1120 ERN 1180	15-pin	Ø 4.5 mm	–	–	675 537-xx EPG [6 × (2 × 0.09 mm ²)]
ERN 1123	15-pin	–	–	–	738 976-xx ²⁾ TPE 14xAWG26/19
ERN 1185	14-pin	Ø 4.5 mm	316 594-xx EPG 16xAWG30/7	–	317 900-xx EPG 16xAWG30/7
ECN 1313 EQN 1325 ECI 1319 EQI 1331	12-pin	Ø 6 mm	332 201-xx EPG 16xAWG30/7	–	332 202-xx EPG 16xAWG30/7
ECN 1325 EQN 1337	12-pin, 4-pin	Ø 6 mm	–	746 254-01 EPG [6 × (2 × 0.09 mm ²)]	622 540-xx EPG [6 × (2 × 0.09 mm ²)]
ERN 1387	14-pin	Ø 6 mm	332 199-xx EPG 16xAWG30/7	–	332 200-xx EPG 16xAWG30/7
ERN 1326	16-pin	Ø 6 mm	341 370-xx ³⁾ EPG 16xAWG30/7	–	341 369-xx EPG 16xAWG30/7
ERN 1321 ERN 1381	12-pin	Ø 6 mm	667 343-xx EPG 16xAWG30/7	–	333 276-xx EPG 16xAWG30/7

¹⁾ With shield connection clamp

²⁾ Single wires with heat-shrink tubing; shield must be connected to the motor


³⁾ Without separate connections for temperature sensor

Encoder Cable

	Encoder cable		Cable	ID number
ECI 1118 EQI 1130	Complete With 15-pin PCB connector and M23 coupling (male), 17-pin		PUR 16xAWG30/7 With shield connection Ø 4.5 mm	639528-xx
ERO 1225 ERO 1285	With one connector With 12-pin PCB connector		PUR [4(2 × 0.05 mm ²) + (4 × 0.14 mm ²)] With shield connection Ø 4.5 mm	372164-xx ¹⁾
ERO 1324			PUR [4(2 × 0.14 mm ²) + (4 × 0.25 mm ²)] Ø 6 mm	295545-xx
ERO 1420 ERO 1470 ERO 1480			PUR [4(2 × 0.05 mm ²) + (4 × 0.14 mm ²)] With shield connection Ø 4.5 mm	346439-xx ¹⁾
ECI 1118 EQI 1130 ECI 1319 EQI 1331 ECN 11xx EQN 11xx ECN 13xx EQN 13xx ERN 11xx ERN 13x1 ERN 1387	Complete With 12-pin PCB connector and 15-pin D-sub connector (male) (incl. 3 adapter connectors, 12-pin and 3 adapter connectors, 15-pin)		EPG 16xAWG30/7 Ø 6 mm	621742-01

¹⁾ Free end of cable cut flush

Adapter Cable

	Adapter cable for EnDat 22		ID number
ECN 1325 EQN 1337	Complete with 9-pin M23 connector (female) and 8-pin M12 coupling (male)		745796-xx

Cables and Connecting Elements

Connecting Cables

8-Pin

12-Pin

17-Pin

M12

M23

M23

		For EnDat without incremental signals	For $\sim 1V_{PP}$ TTL	For EnDat with incremental signals SSI
PUR connecting cables		8-pin: $[(4 \times 0.14 \text{ mm}^2) + (4 \times 0.34 \text{ mm}^2)] \text{ } \varnothing 6 \text{ mm}$ 12-pin: $[4(2 \times 0.14 \text{ mm}^2) + (4 \times 0.5 \text{ mm}^2)] \text{ } \varnothing 8 \text{ mm}$ 17-pin: $[(4 \times 0.14 \text{ mm}^2) + 4(2 \times 0.14 \text{ mm}^2) + (4 \times 0.5 \text{ mm}^2)] \text{ } \varnothing 8 \text{ mm}$		
Complete with connector (female) and coupling (male)		368 330-xx	298 401-xx	323 897-xx
Complete with connector (female) and connector (male)		–	298 399-xx	–
Complete with connector (female) and D-sub connector (female) for IK 220		533 627-xx	310 199-xx	332 115-xx
Complete with connector (female) and D-sub connector (male) for IK 215/PWM 20		524 599-xx	310 196-xx	324 544-xx
With one connector (female)		559 346-xx	309 777-xx	309 778-xx
Cable without connectors , $\varnothing 8 \text{ mm}$		–	244 957-01	266 306-01
Mating element on connecting cable to connector on encoder cable	Connector (female) for cable $\varnothing 8 \text{ mm}$ 	–	291 697-05	291 697-26
Connector on connecting cable for connection to subsequent electronics	Connector (male) for cable $\varnothing 8 \text{ mm}$ $\varnothing 6 \text{ mm}$ 	–	291 697-08 291 697-07	291 697-27
Coupling on connecting cable	Coupling (male) for cable $\varnothing 4.5 \text{ mm}$ $\varnothing 6 \text{ mm}$ $\varnothing 8 \text{ mm}$ 	–	291 698-14 291 698-03 291 698-04	291 698-25 291 698-26 291 698-27
Flange socket for mounting on subsequent electronics	Flange socket (female) 	–	315 892-08	315 892-10
Mounted couplings	With flange (female) $\varnothing 6 \text{ mm}$ $\varnothing 8 \text{ mm}$ 	–	291 698-17 291 698-07	291 698-35
	With flange (male) $\varnothing 6 \text{ mm}$ $\varnothing 8 \text{ mm}$ 	–	291 698-08 291 698-31	291 698-41 291 698-29
	With central fastening (male) $\varnothing 6 \text{ to } 10 \text{ mm}$ 	–	741 045-01	741 045-02
Adapter $\sim 1V_{PP}/11 \mu A_{PP}$ For converting the $1V_{PP}$ signals to $11 \mu A_{PP}$; 12-pin M23 connector (female) and 9-pin M23 connector (male)		–	364 914-01	–

General Electrical Information

For Rotary Encoders for Electrical Drives

Temperature measurement in motors

In order to protect a motor from an excessive load, the motor manufacturer usually installs a temperature sensor near the motor coil. In classic applications, the values from the temperature sensor are led via two separate lines to the subsequent electronics, where they are evaluated. With HEIDENHAIN encoders for servo drives, the temperature sensor can be connected to the encoder cable inside the motor housing, and the values transmitted via the encoder cable. This means that no separate lines from the motor to the drive controller are necessary.

Integrated temperature evaluation

Besides the integrated temperature sensor (accuracy approx. ± 4 K at 125 °C), encoders with EnDat 22 interface also permit connection of an external temperature sensor (not with ECI 1118). The encoder also evaluates the external sensor signal. The digitized temperature value is transmitted purely serially via the EnDat interface as additional information.

Please note:

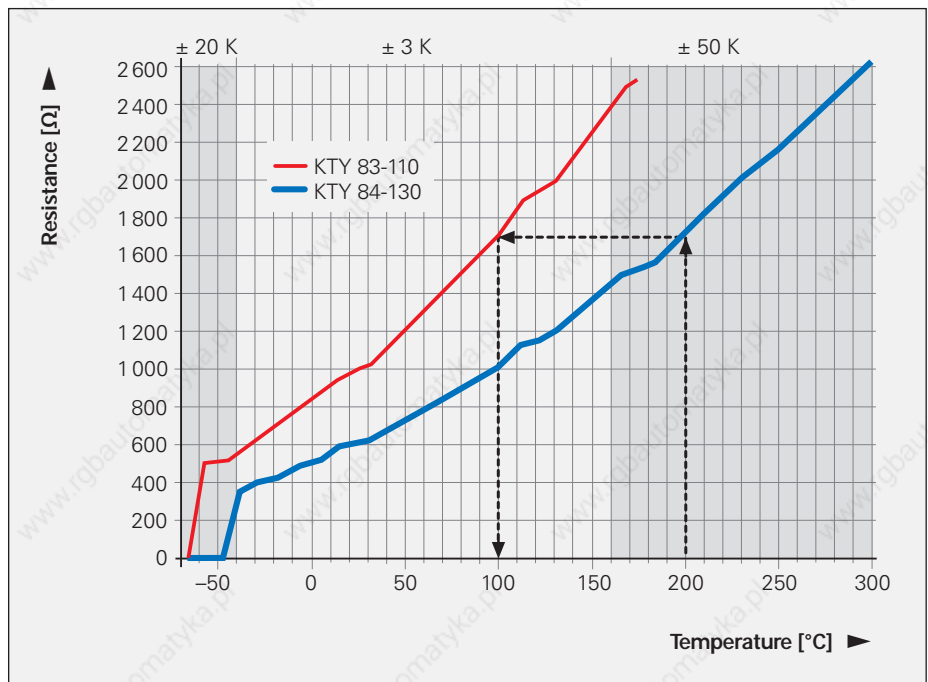
- The transmitted temperature value is not a safe value in the sense of functional safety.
- The encoder temperature range permitted at the measuring point on the flange must be complied with independently of the temperature values transmitted over the EnDat interface.

Connectable temperature sensors

The temperature evaluation within the rotary encoder is designed for a KTY 84-130 PTC thermistor. If other temperature sensors are used, then the temperature must be converted according to the resistance curve. In the example shown, the temperature of 200 °C reported via the EnDat interface is actually 100 °C if a KTY 83-110 is used as temperature sensor.

Information for the connection of an external temperature sensor

- Only connect passive temperature sensors
- Only use temperature sensors with double or reinforced insulation
- No galvanic separation of the sensor input in the electronics of the rotary encoder
- The accuracy of the temperature measurement depends on the temperature range:
 - Approx. ± 3 K at -40 °C to 160 °C
 - Approx. ± 20 K at ≤ -40 °C
 - Approx. ± 50 K at ≥ 160 °C



Correlation between the temperature and resistance value for KTY 84-130, with conversion example to KTY 83-110

General Electrical Information

Power supply

Connect HEIDENHAIN encoders only to subsequent electronics whose power supply is generated from PELV systems (**EN 50178**). In addition, overcurrent protection and overvoltage protection are required in safety-related applications.

If HEIDENHAIN encoders are to be operated in accordance with IEC 61010-1, power must be supplied from a secondary circuit with current or power limitation as per IEC 61010-1:2001, section 9.3 or IEC 60950-1:2005, section 2.5 or a Class 2 secondary circuit as specified in UL1310.

The encoders require a **stabilized DC voltage U_P** as power supply. The respective *Specifications* state the required power supply and the current consumption. The permissible ripple content of the DC voltage is:

- High frequency interference
 $U_{PP} < 250 \text{ mV}$ with $dU/dt > 5 \text{ V}/\mu\text{s}$
- Low frequency fundamental ripple
 $U_{PP} < 100 \text{ mV}$

The values apply as measured at the encoder, i.e., without cable influences. The voltage can be monitored and adjusted with the encoder's **sensor lines**. If a controllable power supply is not available, the voltage drop can be halved by switching the sensor lines parallel to the corresponding power lines.

Calculation of the **voltage drop**:

$$\Delta U = 2 \cdot 10^{-3} \cdot \frac{1.05 \cdot L_C \cdot I}{56 \cdot A_P}$$

where

- ΔU : Voltage attenuation in V
- 1.05: Length factor due to twisted wires
- L_C : Cable length in m
- I : Current consumption in mA
- A_P : Cross section of power lines in mm^2

The voltage actually applied to the encoder is to be considered when **calculating the encoder's power requirement**. This voltage consists of the supply voltage U_P provided by the subsequent electronics minus the line drop at the encoder. For encoders with an expanded supply range, the voltage drop in the power lines must be calculated under consideration of the nonlinear current consumption (see next page).

If the voltage drop is known, all parameters for the encoder and subsequent electronics can be calculated, e.g. voltage at the encoder, current requirements and power consumption of the encoder, as well as the power to be provided by the subsequent electronics.

Switch-on/off behavior of the encoders

The output signals are valid no sooner than after switch-on time $t_{SOT} = 1.3 \text{ s}$ (2 s for PROFIBUS-DP) (see diagram). During time t_{SOT} they can have any levels up to 5.5 V (with HTL encoders up to U_{Pmax}). If an interpolation electronics unit is inserted between the encoder and the power supply, this unit's switch-on/off characteristics must also be considered. If the power supply is switched off, or when the supply voltage falls below U_{min} , the output signals are also

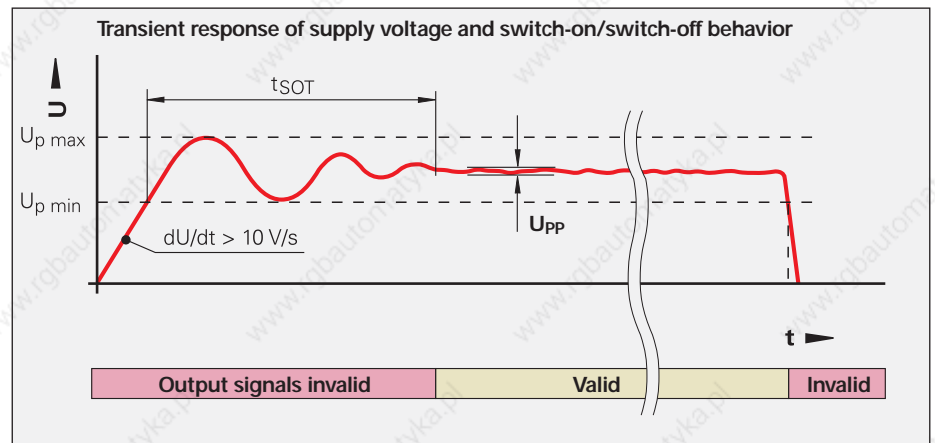
invalid. During restart, the signal level must remain below 1 V for the time t_{SOT} before power on. These data apply to the encoders listed in the catalog—customer-specific interfaces are not included.

Encoders with new features and increased performance range may take longer to switch on (longer time t_{SOT}). If you are responsible for developing subsequent electronics, please contact HEIDENHAIN in good time.

Isolation

The encoder housings are isolated against internal circuits.

Rated surge voltage: 500 V (preferred value as per VDE 0110 Part 1, overvoltage category II, contamination level 2)



Cable	Cross section of power supply lines A_P			
	1 V _{PP} /TTL/HTL	11 μ A _{PP}	EnDat/SSI 17-pin	EnDat ⁵⁾ 8-pin
\varnothing 3.7 mm	0.05 mm ²	–	–	0.09 mm ²
\varnothing 4.3 mm	0.24 mm ²	–	–	–
\varnothing 4.5 mm EPG	0.05 mm ²	–	0.05 mm ²	0.09 mm ²
\varnothing 4.5 mm \varnothing 5.1 mm	0.14/0.09 ²⁾ mm ² 0.05 ^{2), 3)} mm ²	0.05 mm ²	0.05 mm ²	0.14 mm ²
\varnothing 6 mm \varnothing 10 mm ¹⁾	0.19/0.14 ^{2), 4)} mm ²	–	0.08/0.19 ⁶⁾ mm ²	0.34 mm ²
\varnothing 8 mm \varnothing 14 mm ¹⁾	0.5 mm ²	1 mm ²	0.5 mm ²	1 mm ²

1) Metal armor 2) Rotary encoders 3) Length gauges 4) LIDA 400
5) Also Fanuc, Mitsubishi 6) Adapter cables for RCN, LC

Encoders with expanded voltage supply range

For encoders with expanded supply voltage range, the current consumption has a nonlinear relationship with the supply voltage. On the other hand, the power consumption follows a linear curve (see *Current and power consumption* diagram). The maximum power consumption at minimum and maximum supply voltage is listed in the **Specifications**. The power consumption at maximum supply voltage (worst case) accounts for:

- Recommended receiver circuit
- Cable length 1 m
- Age and temperature influences
- Proper use of the encoder with respect to clock frequency and cycle time

The typical current consumption at no load (only supply voltage is connected) for 5 V supply is specified.

The actual power consumption of the encoder and the required power output of the subsequent electronics are measured while taking the voltage drop on the supply lines in four steps:

Step 1: Resistance of the supply lines

The resistance values of the power lines (adapter cable and encoder cable) can be calculated with the following formula:

$$R_L = 2 \cdot \frac{1.05 \cdot L_C \cdot l}{56 \cdot A_P}$$

Step 2: Coefficients for calculation of the drop in line voltage

$$b = -R_L \cdot \frac{P_{E_{max}} - P_{E_{min}}}{U_{E_{max}} - U_{E_{min}}} - U_P$$

$$c = P_{E_{min}} \cdot R_L + \frac{P_{E_{max}} - P_{E_{min}}}{U_{E_{max}} - U_{E_{min}}} \cdot R_L \cdot (U_P - U_{E_{min}})$$

Step 3: Voltage drop based on the coefficients b and c

$$\Delta U = -0.5 \cdot (b + \sqrt{b^2 - 4 \cdot c})$$

Where:

$U_{E_{max}}$,

$U_{E_{min}}$: Minimum or maximum supply voltage of the encoder in V

$P_{E_{min}}$,

$P_{E_{max}}$: Maximum power consumption at minimum or maximum power supply, respectively, in W

U_S : Supply voltage of the subsequent electronics in V

Step 4: Parameters for subsequent electronics and the encoder

Voltage at encoder:

$$U_E = U_P - \Delta U$$

Current requirement of encoder:

$$I_E = \Delta U / R_L$$

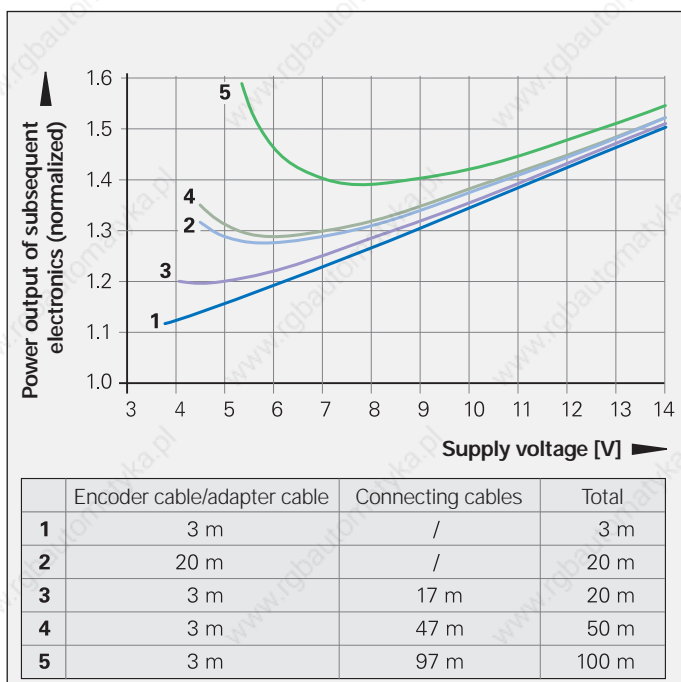
Power consumption of encoder:

$$P_E = U_E \cdot I_E$$

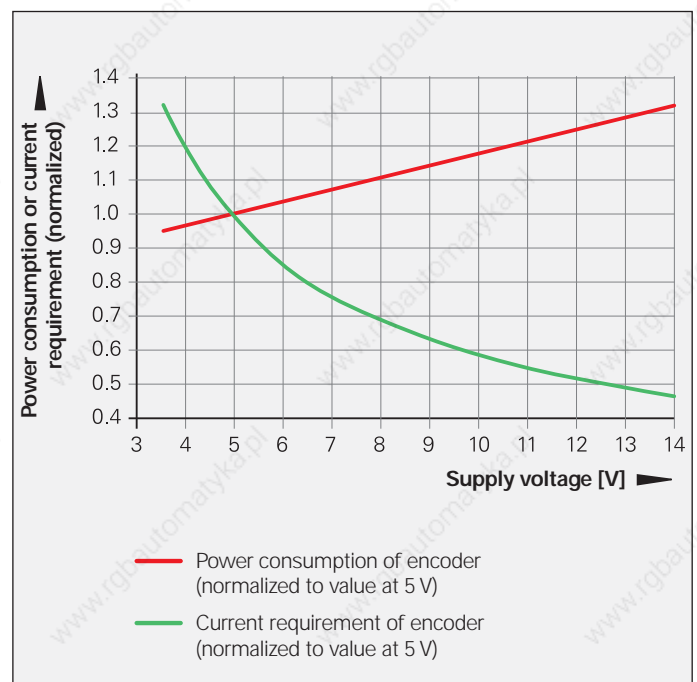
Power output of subsequent electronics:

$$P_S = U_P \cdot I_E$$

Influence of cable length on the power output of the subsequent electronics (example representation)



Current and power consumption with respect to the supply voltage (example representation)



Electrically permissible speed/ traversing speed

The maximum permissible shaft speed or traversing velocity of an encoder is derived from

- the **mechanically** permissible shaft speed/traversing velocity (if listed in the *Specifications*) and
- the **electrically** permissible shaft speed/ traversing velocity.
For encoders with **sinusoidal output signals**, the electrically permissible shaft speed/traversing velocity is limited by the $-3\text{dB}/-6\text{dB}$ cutoff frequency or the permissible input frequency of the subsequent electronics.
For encoders with **square-wave signals**, the electrically permissible shaft speed/ traversing velocity is limited by
 - the maximum permissible scanning frequency f_{max} of the encoder and
 - the minimum permissible edge separation a for the subsequent electronics.

For angular or rotary encoders

$$n_{\text{max}} = \frac{f_{\text{max}}}{z} \cdot 60 \cdot 10^3$$

For linear encoders

$$v_{\text{max}} = f_{\text{max}} \cdot \text{SP} \cdot 60 \cdot 10^{-3}$$

Where:

n_{max} : Elec. permissible speed in min^{-1}

v_{max} : Elec. permissible traversing velocity in m/min

f_{max} : Max. scanning/output frequency of encoder or input frequency of subsequent electronics in kHz

z : Line count of the angle or rotary encoder per 360°

SP : Signal period of the linear encoder in μm

Cable

For safety-related applications, use HEIDENHAIN cables and connectors.

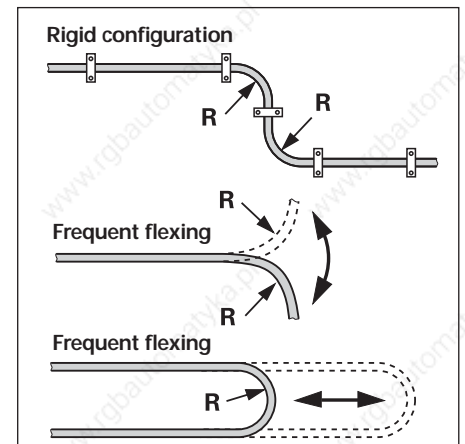
Versions

The cables of almost all HEIDENHAIN encoders and all adapter and connecting cables are sheathed in **polyurethane (PUR cable)**. Most adapter cables for within motors and a few cables on encoders are sheathed in a **special elastomer (EPG cable)**. These cables are identified in the specifications or in the cable tables with "EPG."

Durability

PUR cables are resistant to oil and hydrolysis in accordance with **VDE 0472** (Part 803/test type B) and resistant to microbes in accordance with **VDE 0282** (Part 10). They are free of PVC and silicone and comply with UL safety directives. The **UL certification** AWM STYLE 20963 80 °C 30 V E63216 is documented on the cable.

EPG cables are resistant to oil in accordance with **VDE 0472** (Part 803/test type B) and to hydrolysis in accordance with **VDE 0282** (Part 10). They are free of silicone and halogens. In comparison with PUR cables, they are only conditionally resistant to media, frequent flexing and continuous torsion.



Temperature range

HEIDENHAIN cables can be used for
 Rigid configuration (PUR) -40 to 80°C
 Rigid configuration (EPG) -40 to 120°C
 Frequent flexing (PUR) -10 to 80°C

PUR cables with limited resistance to hydrolysis and microbes are rated for up to 100°C . If needed, please ask for assistance from HEIDENHAIN Traunreut.

Lengths

The **cable lengths** listed in the *Specifications* apply only for HEIDENHAIN cables and the recommended input circuitry of subsequent electronics.

Cable	Bend radius R	
	Rigid configuration	Frequent flexing
$\varnothing 3.7 \text{ mm}$	$\geq 8 \text{ mm}$	$\geq 40 \text{ mm}$
$\varnothing 4.3 \text{ mm}$	$\geq 10 \text{ mm}$	$\geq 50 \text{ mm}$
$\varnothing 4.5 \text{ mm EPG}$	$\geq 18 \text{ mm}$	-
$\varnothing 4.5 \text{ mm}$ $\varnothing 5.1 \text{ mm}$	$\geq 10 \text{ mm}$	$\geq 50 \text{ mm}$
$\varnothing 6 \text{ mm}$ $\varnothing 10 \text{ mm}^1$	$\geq 20 \text{ mm}$ $\geq 35 \text{ mm}$	$\geq 75 \text{ mm}$ $\geq 75 \text{ mm}$
$\varnothing 8 \text{ mm}$ $\varnothing 14 \text{ mm}^1$	$\geq 40 \text{ mm}$ $\geq 100 \text{ mm}$	$\geq 100 \text{ mm}$ $\geq 100 \text{ mm}$

¹⁾ Metal armor

Noise-free signal transmission

Electromagnetic compatibility/ CE compliance

When properly installed, and when HEIDENHAIN connecting cables and cable assemblies are used, HEIDENHAIN encoders fulfill the requirements for electromagnetic compatibility according to 2004/108/EC with respect to the generic standards for:

• Noise immunity EN 61000-6-2:

Specifically:

- ESD EN 61000-4-2
- Electromagnetic fields EN 61000-4-3
- Burst EN 61000-4-4
- Surge EN 61000-4-5
- Conducted disturbances EN 61000-4-6
- Power frequency magnetic fields EN 61000-4-8
- Pulse magnetic fields EN 61000-4-9

• Interference EN 61000-6-4:

Specifically:

- For industrial, scientific and medical equipment (ISM) EN 55011
- For information technology equipment EN 55022

Transmission of measuring signals— electrical noise immunity

Noise voltages arise mainly through capacitive or inductive transfer. Electrical noise can be introduced into the system over signal lines and input or output terminals.

Possible sources of noise include:

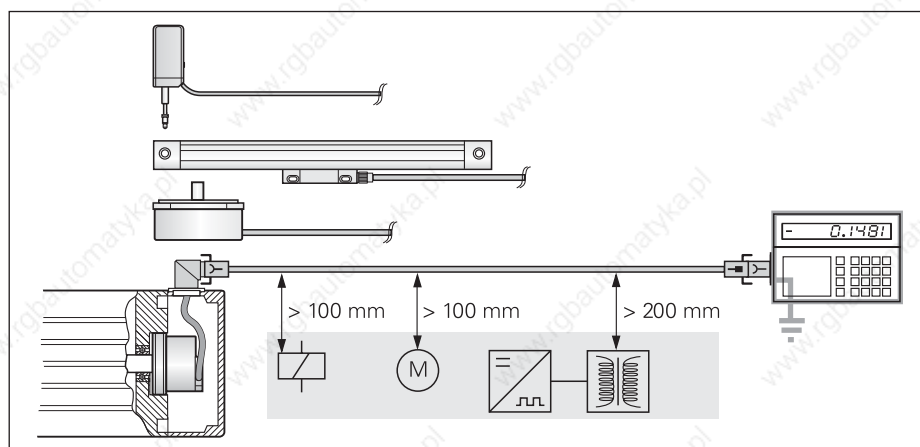
- Strong magnetic fields from transformers, brakes and electric motors
- Relays, contactors and solenoid valves
- High-frequency equipment, pulse devices, and stray magnetic fields from switch-mode power supplies
- AC power lines and supply lines to the above devices

Protection against electrical noise

The following measures must be taken to ensure disturbance-free operation:

- Use only original HEIDENHAIN cables. Consider the voltage attenuation on supply lines.
- Use connecting elements (such as connectors or terminal boxes) with metal housings. Only the signals and power supply of the connected encoder may be routed through these elements. Applications in which additional signals are sent through the connecting element require specific measures regarding electrical safety and EMC.

- Connect the housings of the encoder, connecting elements and subsequent electronics through the shield of the cable. Ensure that the shield has complete contact over the entire surface (360°). For encoders with more than one electrical connection, refer to the documentation for the respective product.
- For cables with multiple shields, the inner shields must be routed separately from the outer shield. Connect the inner shield to 0V of the subsequent electronics. Do not connect the inner shields with the outer shield, neither in the encoder nor in the cable.
- Connect the shield to protective ground as per the mounting instructions.
- Prevent contact of the shield (e.g. connector housing) with other metal surfaces. Pay attention to this when installing cables.
- Do not install signal cables in the direct vicinity of interference sources (inductive consumers such as contacts, motors, frequency inverters, solenoids, etc.).
 - Sufficient decoupling from interference-signal-conducting cables can usually be achieved by an air clearance of 100 mm or, when cables are in metal ducts, by a grounded partition.
 - A minimum spacing of 200 mm to inductors in switch-mode power supplies is required.
- If compensating currents are to be expected within the overall system, a separate equipotential bonding conductor must be provided. The shield does not have the function of an equipotential bonding conductor.
- Only provide power from PELV systems (**EN 50178**) to position encoders. Provide high-frequency grounding with low impedance (**EN 60204-1 Chap. EMC**).
- For encoders with 11 μA_{pp} interface: For extension cables, use only HEIDENHAIN cable ID 244 955-01. Overall length: max. 30 m.



Minimum distance from sources of interference

HEIDENHAIN Measuring Equipment For Incremental Encoders

PWM 9 is a universal measuring device for checking and adjusting HEIDENHAIN incremental encoders. There are different expansion modules available for checking the different encoder signals. The values can be read on an LCD monitor. Soft keys provide ease of operation.



	PWM 9
Inputs	Expansion modules (interface boards) for 11 μ A _{PP} ; 1 V _{PP} ; TTL; HTL; EnDat*/SSI*/commutation signals *No display of position values or parameters
Functions	<ul style="list-style-type: none"> • Measures signal amplitudes, current consumption, operating voltage, scanning frequency • Graphically displays incremental signals (amplitudes, phase angle and on-off ratio) and the reference-mark signal (width and position) • Displays symbols for the reference mark, fault detection signal, counting direction • Universal counter, interpolation selectable from single to 1024-fold • Adjustment support for exposed linear encoders
Outputs	<ul style="list-style-type: none"> • Inputs are connected through to the subsequent electronics • BNC sockets for connection to an oscilloscope
Power supply	DC 10 to 30 V, max. 15 W
Dimensions	150 mm × 205 mm × 96 mm

For Absolute Encoders

HEIDENHAIN offers an **adjusting and testing package** for diagnosis and adjustment of HEIDENHAIN encoders with absolute interface.

- **IK 215** PC expansion board
- **ATS** adjusting and testing software



	IK 215
Encoder input	<ul style="list-style-type: none"> • EnDat 2.1 or EnDat 2.2 (absolute value with/without incremental signals) • FANUC serial interface • Mitsubishi High Speed Serial Interface • SSI
Interface	PCI bus, Rev. 2.1
System requirements	<ul style="list-style-type: none"> • Operating system: Windows XP (Vista upon request) • Approx. 20 MB free space on the hard disk
Signal subdivision for incremental signals	Up to 65536-fold
Dimensions	100 mm x 190 mm

	ATS
Languages	Choice between English or German
Functions	<ul style="list-style-type: none"> • Position display • Connection dialog • Diagnostics • Mounting wizard for EC/EQI • Additional functions (if supported by the encoder) • Memory contents

Evaluation Electronics



IK 220

Universal PC counter card

The IK 220 is an expansion board for PCs for recording the measured values of two incremental or absolute linear or angle encoders. The subdivision and counting electronics subdivide the sinusoidal input signals up to 4096-fold. A driver software package is included in delivery.



For more information, see the *IK 220* Product Information document as well as the Product Overview of *Interface Electronics*.

	IK 220			
Input signals (switchable)	 1 V _{PP}	 11 μA _{PP}	EnDat 2.1	SSI
Encoder inputs	Two D-sub connections (15-pin) male			
Input frequency	≤ 500 kHz	≤ 33 kHz	–	
Cable length	≤ 60 m		≤ 50 m	≤ 10 m
Signal subdivision (signal period : meas. step)	Up to 4096-fold			
Data register for measured values (per channel)	48 bits (44 bits used)			
Internal memory	For 8192 position values			
Interface	PCI bus			
Driver software and demonstration program	For Windows 98/NT/2000/XP in VISUAL C++, VISUAL BASIC and BORLAND DELPHI			
Dimensions	Approx. 190 mm × 100 mm			

HEIDENHAIN

DR. JOHANNES HEIDENHAIN GmbH

Dr.-Johannes-Heidenhain-Straße 5

83301 Traunreut, Germany

+49 8669 31-0

+49 8669 5061

E-mail: info@heidenhain.de

www.heidenhain.de

Vollständige und weitere Adressen siehe www.heidenhain.de
For complete and further addresses see www.heidenhain.de

DE	HEIDENHAIN Technisches Büro Nord 12681 Berlin, Deutschland ☎ 030 54705-240	ES	FARRESA ELECTRONICA S.A. 08028 Barcelona, Spain www.farresa.es	PH	Machinebanks Corporation Quezon City, Philippines 1113 E-mail: info@machinebanks.com
	HEIDENHAIN Technisches Büro Mitte 08468 Heinsdorfergrund, Deutschland ☎ 03765 69544	FI	HEIDENHAIN Scandinavia AB 02770 Espoo, Finland www.heidenhain.fi	PL	APS 02-489 Warszawa, Poland www.apserwis.com.pl
	HEIDENHAIN Technisches Büro West 44379 Dortmund, Deutschland ☎ 0231 618083-0	FR	HEIDENHAIN FRANCE sarl 92310 Sevres, France www.heidenhain.fr	PT	FARRESA ELECTRÓNICA, LDA. 4470 - 177 Maia, Portugal www.farresa.pt
	HEIDENHAIN Technisches Büro Südwest 70771 Leinfelden-Echterdingen, Deutschland ☎ 0711 993395-0	GB	HEIDENHAIN (G.B.) Limited Burgess Hill RH15 9RD, United Kingdom www.heidenhain.co.uk	RO	HEIDENHAIN Reprezentantă Romania Braşov, 500338, Romania www.heidenhain.ro
	HEIDENHAIN Technisches Büro Südost 83301 Traunreut, Deutschland ☎ 08669 31-1345	GR	MB Milionis Vassilis 17341 Athens, Greece www.heidenhain.gr	RS	Serbia → BG
AR	NAKASE SRL. B1653AOX Villa Ballester, Argentina www.heidenhain.com.ar	HK	HEIDENHAIN LTD Kowloon, Hong Kong E-mail: sales@heidenhain.com.hk	RU	OOO HEIDENHAIN 125315 Moscow, Russia www.heidenhain.ru
AT	HEIDENHAIN Techn. Büro Österreich 83301 Traunreut, Germany www.heidenhain.de	HR	Croatia → SL	SE	HEIDENHAIN Scandinavia AB 12739 Skärholmen, Sweden www.heidenhain.se
AU	FCR Motion Technology Pty. Ltd Laverton North 3026, Australia E-mail: vicsales@fcrmotion.com	HU	HEIDENHAIN Kereskedelmi Képviselet 1239 Budapest, Hungary www.heidenhain.hu	SG	HEIDENHAIN PACIFIC PTE LTD. Singapore 408593 www.heidenhain.com.sg
BA	Bosnia and Herzegovina → SL	ID	PT Servitama Era Toolsindo Jakarta 13930, Indonesia E-mail: ptset@group.gts.co.id	SK	KOPRETINA TN s.r.o. 91101 Trenčín, Slovakia www.kopretina.sk
BE	HEIDENHAIN NV/SA 1760 Roosdaal, Belgium www.heidenhain.be	IL	NEUMO VARGUS MARKETING LTD. Tel Aviv 61570, Israel E-mail: neumo@neumo-vargus.co.il	SL	Posredništvo HEIDENHAIN NAVO d.o.o. 2000 Maribor, Slovenia www.heidenhain-hubl.si
BG	ESD Bulgaria Ltd. Sofia 1172, Bulgaria www.esd.bg	IN	HEIDENHAIN Optics & Electronics India Private Limited Chennai - 600 031, India www.heidenhain.in	TH	HEIDENHAIN (THAILAND) LTD Bangkok 10250, Thailand www.heidenhain.co.th
BR	DIADUR Indústria e Comércio Ltda. 04763-070 - São Paulo - SP, Brazil www.heidenhain.com.br	IT	HEIDENHAIN ITALIANA S.r.l. 20128 Milano, Italy www.heidenhain.it	TR	T&M Mühendislik San. ve Tic. LTD. ŞTİ. 34728 Ümraniye-Istanbul, Turkey www.heidenhain.com.tr
BY	Belarus GERTNER Service GmbH 50354 Huerth, Germany www.gertner.biz	JP	HEIDENHAIN K.K. Tokyo 194-0215, Japan www.heidenhain.co.jp	TW	HEIDENHAIN Co., Ltd. Taichung 40768, Taiwan R.O.C. www.heidenhain.com.tw
CA	HEIDENHAIN CORPORATION Mississauga, Ontario L5T2N2, Canada www.heidenhain.com	KR	HEIDENHAIN Korea LTD. Gasam-Dong, Seoul, Korea 153-782 www.heidenhain.co.kr	UA	Gertner Service GmbH Büro Kiev 01133 Kiev, Ukraine www.gertner.biz
CH	HEIDENHAIN (SCHWEIZ) AG 8603 Schwerzenbach, Switzerland www.heidenhain.ch	ME	Montenegro → SL	US	HEIDENHAIN CORPORATION Schaumburg, IL 60173-5337, USA www.heidenhain.com
CN	DR. JOHANNES HEIDENHAIN (CHINA) Co., Ltd. Beijing 101312, China www.heidenhain.com.cn	MK	Macedonia → BG	VE	Maquinaria Diekmann S.A. Caracas, 1040-A, Venezuela E-mail: purchase@diekmann.com.ve
CZ	HEIDENHAIN s.r.o. 102 00 Praha 10, Czech Republic www.heidenhain.cz	MX	HEIDENHAIN CORPORATION MEXICO 20235 Aguascalientes, Ags., Mexico E-mail: info@heidenhain.com	VN	AMS Co. Ltd HCM City, Vietnam E-mail: davidgoh@amsvn.com
DK	TPTEKNIK A/S 2670 Greve, Denmark www.tp-gruppen.dk	MY	ISOSERVE Sdn. Bhd 56100 Kuala Lumpur, Malaysia E-mail: isoserve@po.jaring.my	ZA	MAFEMA SALES SERVICES C.C. Midrand 1685, South Africa www.heidenhain.co.za
		NL	HEIDENHAIN NEDERLAND B.V. 6716 BM Ede, Netherlands www.heidenhain.nl		
		NO	HEIDENHAIN Scandinavia AB 7300 Orkanger, Norway www.heidenhain.no		

