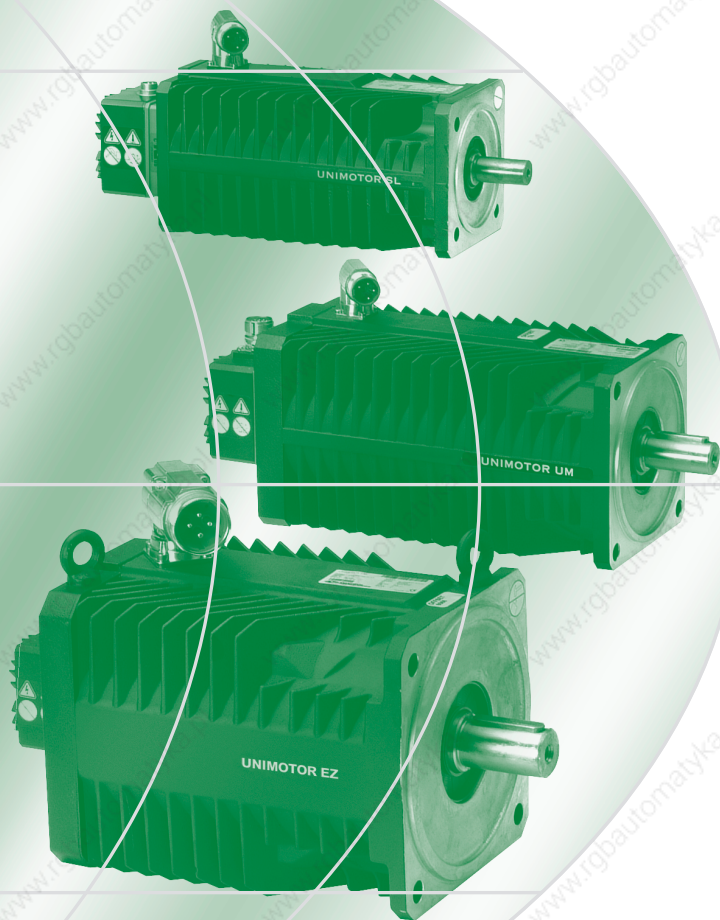




**CONTROL  
TECHNIQUES**

[www.ctdynamics.com](http://www.ctdynamics.com)



## Unimotor EZ<sup>®</sup> Brochure

Control Techniques Dynamics  
Brushless AC Servo Motors



## Introducing the 75-190EZ motor

Unimotor EZ is a range of brushless AC servo motors which support a winding to suit 220V nominal AC drives. The range is available in five frame sizes 75:95:115:142 and 190mm. The unique “finned” motor housing is a high-strength aluminium alloy casting that improves heat dissipation by conduction, radiation and convection. The single piece integral construction permits accurate bearing to housing alignment and maintains air gap concentricity. This arrangement optimises torque output and reduces cogging torque. The design also conforms to the sealing standard (IP65S) when mounted and connected.

## Standard Features

- \* Modular rotor design.
- \* Rotor assembly balanced to ISO1940 ( BS 6861 ) G 6.3.
- \* Class H winding insulation.
- \* High thermal dissipation due to “finned” design.
- \* Thermal overload protection.
- \* Incremental Encoder for high precision feedback.
- \* PTC thermistors for thermal monitoring and overload protection.
- \* IP65S standard (with mating connector) sealed against water spray and dust.
- \* Connectors for Power and signal.
- \* Low inertia is standard for fast acceleration.
- \* UL and CSA recognised insulation system.
- \* IEC mounting flange.
- \* Shaft key as standard

## Optional Features

- \* Hybrid box available.
- \* Parking brake.
- \* High inertia.
- \* Plain shaft (non keyed)
- \* Resolver feedback for rugged applications.
- \* Sin/Cos encoder for high resolution and accuracy (Single and multi-turn).
- \* UL recognised motors

## Optional Products



- \* Cable assemblies for power and signal



- \* Gear box options, high precision low backlash, general purpose and right angle gearboxes available in various ratios.

\* Where volumes have justified it, CTD have designed a number of custom specific motors, please contact CTD for details.

## Motor Specification

### Physical

Insulation class	Class H (180° C) BS EN 60034-1 UL number E214439
Dimensional accuracy	IEC60072-1 Class N
Degree of balance	Rotor is balanced to ISO 1940 (BS6861) G 6.3 (half key convention to ISO 8821)
Output Shaft	Output key is standard (to IEC 60072-1) Plain shaft is optional
Temperature monitoring	PTC thermistor, 165° C switch temperature
Connections	Connector or Hybrid box for power and brake; connector for feedback devices and thermistor

### Environmental

Ingress Protection	IP65S with mating connector and cable
Operating Temperature	Up to 40° C ambient
Storage Temperature	-20° C to 70° C
Temperature rise	125° C over ambient of 40° C Max 100° C over ambient of 40° C Typical
Relative Humidity	90% Non condensing

## Brake Specification

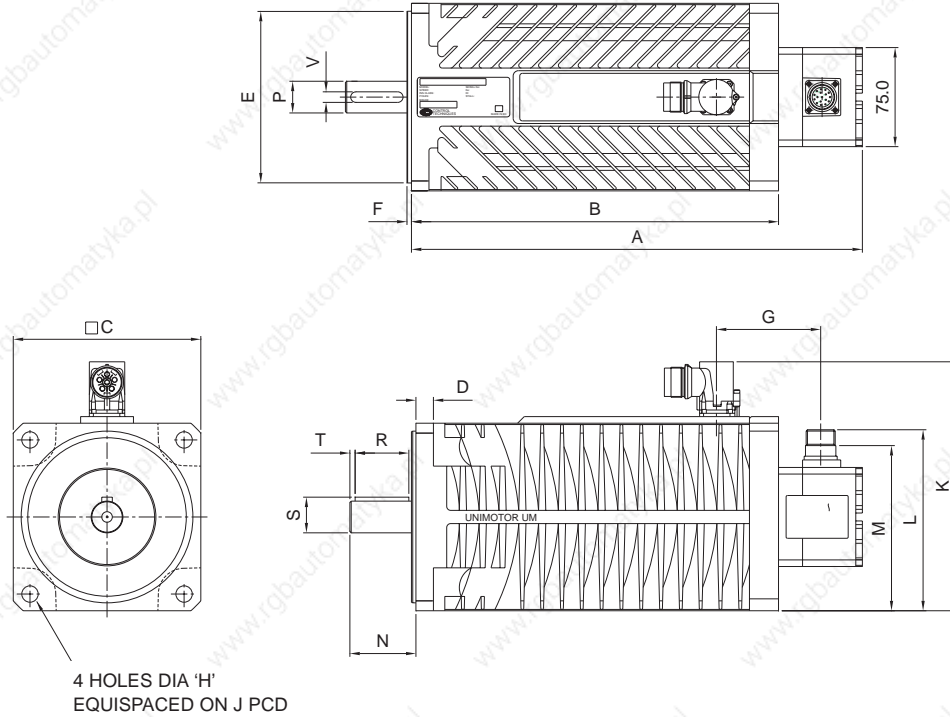
Motor Frame	Supply Volts	Input Power	Static Torque	Release Time	Moment of Inertia	Backlash
Size	V d.c.	Watts	Nm	ms nom	kgcm <sup>2</sup> *	Degrees
75	24	6.3	2	22	0.03	0.75
95	24	16	6	30	0.29	0.75
115	24	16	12	40	0.49	0.75
142	24	23	20	85	1.28	0.6
190(A/B)	24	25	40	95	1.28	0.6
190(C/D)	24	25	60	120	2.50	0.6

\*Note 1 kgcm<sup>2</sup> = 1x10<sup>-4</sup>kgm<sup>2</sup>

- The brakes are intended for parking duty and engage on power de-energisation.
- Refer to drive centre if your application requires dynamic braking in emergency conditions.
- To provide protection to the brake control circuit it is recommended that a diode is connected across the output terminals of the solid state or relay contacts devices.

## Dimensions (mm) Frame size 75-142

Note: Dimension A,B,M,L and K are shown at the maximum.



## Dimensions – Frame Sizes 75-142

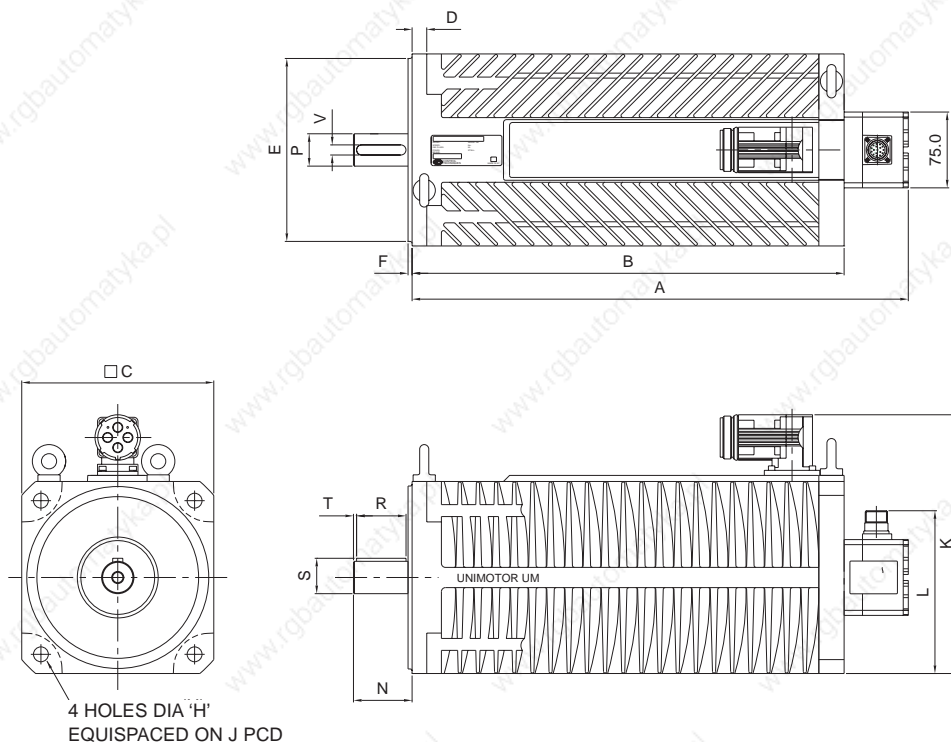
FRAME SIZE	75					95					115					142					
	A	B	C	D		A	B	C	D	E	A	B	C	D	E	A	B	C	D	E	
A Length Overall (Unbraked)	211	241	271	301		222	252	282	312	342	242	272	302	332	362	225	255	285	315	345	
A Length Overall (Braked)	241	271	301	331		252	282	312	342	372	272	302	332	362	392	285	315	345	375	405	
B Body Length (Unbraked)	146	176	206	236		157	187	217	247	277	177	207	237	267	297	160	190	220	250	280	
B Body Length (Braked)	176	206	236	266		187	217	247	277	307	207	237	267	297	327	220	250	280	310	340	
C Flange Square		75.0					95.0					115.0					142.0				
D Flange Thickness		7.0					9.0					11.0					12.3				
E Register Diameter		60.0 (J6)					80.0 (J6)					95.0 (J6)					130.0 (J6)				
F Register Length		2.4					2.9					2.9					3.4				
G Power to Connect C/L		61.0					62.5					66.0					80.0				
H Fixing Holes Diameter		5.8 (H14)					7.0 (H14)					10.0 (H14)					12.0 (H14)				
J Fixing Hole p.c.d.		75.0					100.0					115.0					165.0				
K Overall Height		126.0					146.0					166.0					193.0				
L Signal Connector Height (UM)		107.0					117.0					127.0					140.0				
M Signal Connector Height (SL)		88.0					98.0					108.0					121.0				
N Shaft Length (front)	23.0	30.0	30.0	30.0	30.0	30.0	40.0	40.0	40.0	40.0	40.0	40.0	40.0	50.0	50.0	50.0	50.0	50.0	50.0	50.0	50.0
P Shaft Diameter (front)	11.0	14.0	14.0	14.0	14.0	14.0	19.0	19.0	19.0	19.0	19.0	19.0	19.0	24.0	24.0	24.0	24.0	24.0	24.0	24.0	24.0

### Shaft Key Dimensions (option A)

R Key Length	14.0	22.0	22.0	22.0	22.0	32.0	32.0	32.0	32.0	32.0	32.0	32.0	40.0	40.0	40.0	40.0	40.0	40.0	40.0	40.0	40.0
S Key Height	12.4	15.9	15.9	15.9	15.9	21.4	21.4	21.4	21.4	21.4	21.4	21.4	26.9	26.9	26.9	26.9	26.9	26.9	26.9	26.9	26.9
T Key to Shaft End	3.5	3.0	3.0	3.0	3.0	3.0	3.0	3.0	3.0	3.0	3.0	3.0	4.0	4.0	4.0	4.0	4.0	4.0	4.0	4.0	4.0
V Key Width	4.0	5.0	5.0	5.0	5.0	6.0	6.0	6.0	6.0	6.0	6.0	6.0	8.0	8.0	8.0	8.0	8.0	8.0	8.0	8.0	8.0

## Dimensions (mm) Frame size 190

Note: Dimension A,B,M,L and K are shown at the maximum.



## Dimensions (mm) Frame size 190

### FRAME SIZE

190

Dimension / Length suffix	A	B	C	D
A Length Overall (Unbraked)	273	327	381	435
A Length Overall (Braked)	327	381	435	489
B Body Length (Unbraked)	210	264	318	372
B Body Length (Braked)	264	318	372	425
C Flange Square		190.0		
D Flange Thickness		14.5		
E Register Diameter		180.0 (J6)		
F Register Length		4.0		
G Power to Connect C/L		0		
H Fixing Holes Diameter		14.5 (H14)		
J Fixing Hole p.c.d.		215.0		
K Overall Height		260.0		
L Signal Connector Height (UM)		161.1		
N Shaft Length (front)	58.0	58.0	58.0	58.0
P Shaft Diameter (front)	32.0(K6)	32.0(K6)	32.0(k6)	32.0(K6)

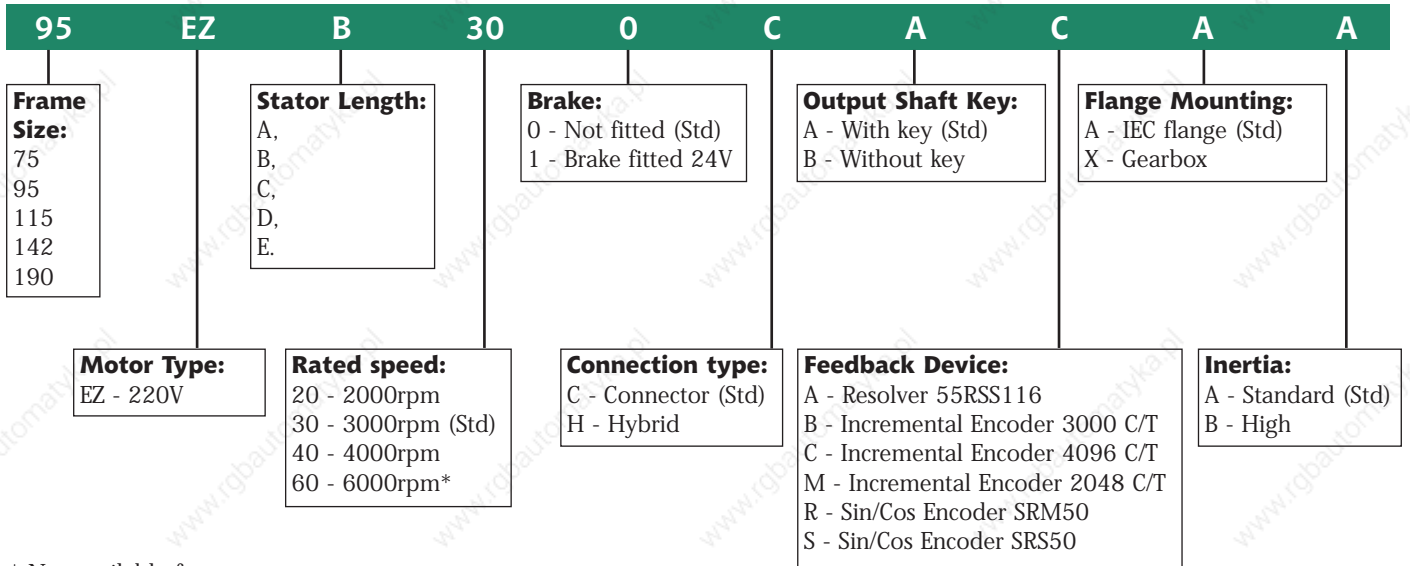
### Shaft Output Key Dimensions (Option A)

R Key Length	49.0
S Key Height	35.0
T Key to Shaft End	3.1
V Key Width	10.0

## Ordering Information

Use the information below in the illustration to create an order code for a EZ motor. The details in the band are an example of an order reference. (std) = Standard selection.

### ORDER REFERENCE EXAMPLE



\* Not available for some motors

## Connection details

### Power Plugs

	75-142 with brake	75-142 without brake
Pin	Function	Function
1	Phase U	Phase U
2	Phase V	Phase V
3	Earth	Earth
4	Phase W	Phase W
5	Brake	N/C
6	Brake	N/C
Shell	Screen	Screen
	190 with brake	190 without brake
Pin	Function	Function
U	Phase U	Phase U
V	Phase V	Phase V
Ⓧ	Earth	Earth
W	Phase W	Phase W
+	Brake	N/C
-	Brake	N/C
Shell	Screen	Screen

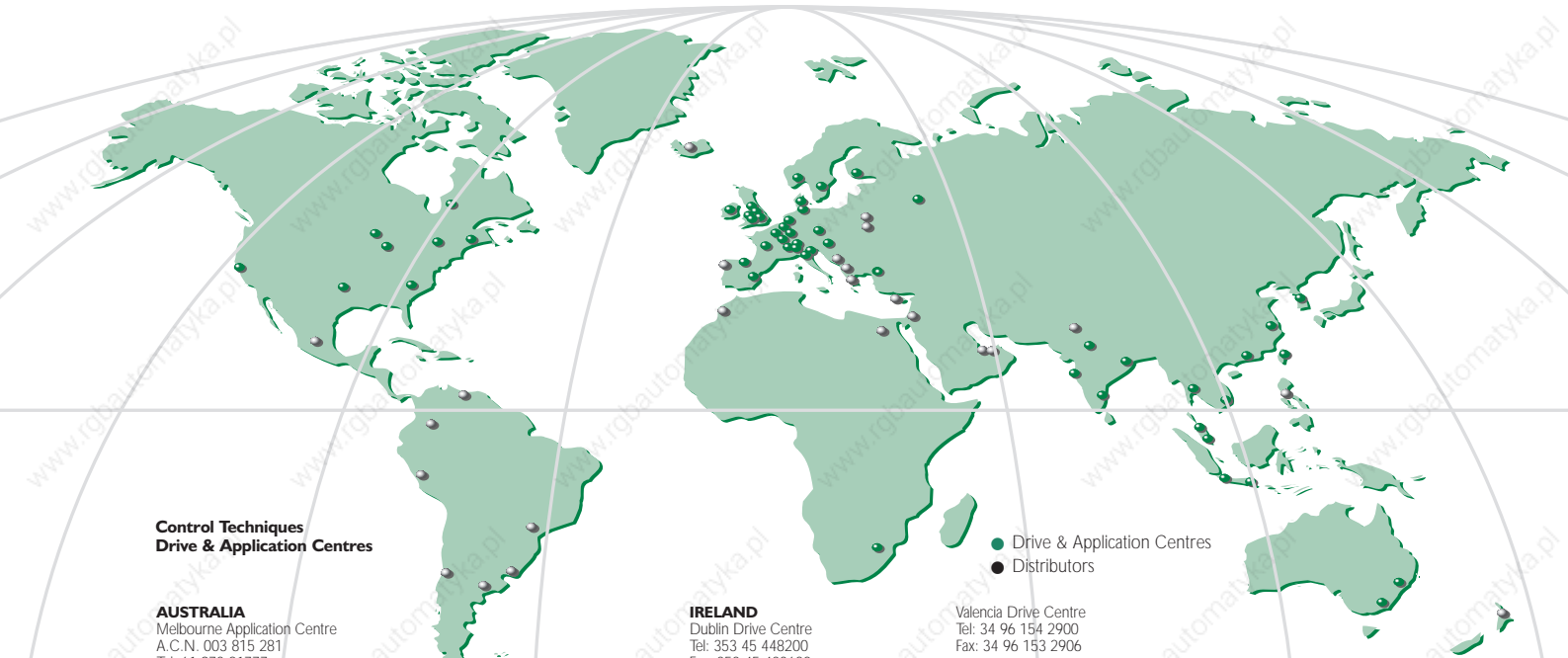
### Signal Plugs

	Encoder	Resolver	Sincos
Pin	Function	Function	Function
1	Thermistor 0V	Excitation high	REF Cos
2	Thermistor Signal	Excitation low	+ Daten
3	Screen	Cos high	-Daten
4	S1	Cos low	+ Cos
5	S1 Inverse	Sin high	+ Sin
6	S2	Sin low	REF Sin
7	S2 Inverse	Thermistor	Thermistor
8	S3	Thermistor	Thermistor
9	S3 Inverse		Screen
10	Channel A		0 Volts
11	Index		-
12	Index Inverse		+ Volts
13	Channel A Inverse		
14	Channel B		
15	Channel B Inverse		
16	+ 5V		
17	0 Volts		
body	Screen	Screen	

EZ servo motor technical specifications		For 3 Phase VPWM Drives 200 - 240Vrms												v.20M, last updated: 21/5/03											
		75			95			115			142			190											
All Speeds		A	B	C	D	E	A	B	C	D	E	A	B	C	D	E	A	B	C	D	E				
Frame Length		1.2	2.2	3.1	3.9	4.3	2.3	4.3	5.9	7.5	9.0	3.5	6.6	9.4	12.4	15.3	6.3	10.8	15.3	19.8	23.4	21.8	41.1	58.7	73.2
Continuous Stall Torque (Nm)		3.6	6.6	9.3	11.7	6.9	12.9	17.7	17.7	22.5	27.0	10.5	19.8	28.2	37.2	45.9	18.9	32.4	45.9	59.4	70.2	65.4	123	176	219
Peak Torque nominal (Nm)		1.2	1.6	2.1	2.5	3.5	4.5	5.6	6.7	7.8	7.8	9.7	12.0	14.3	16.6	18.8	21.6	28.0	34.3	40.7	47.0	93.5	141	188	235
High Inertia (kgcm <sup>2</sup> )		0.6	1.0	1.5	1.9	1.4	2.5	3.6	4.7	5.8	3.2	5.5	7.8	10.0	12.3	7.8	14.1	20.5	26.8	33.1	50.0	50.0	97.0	144	191
Standard Inertia (kgcm <sup>2</sup> )		3.0	3.7	4.4	5.1	5.0	6.1	7.2	8.3	9.5	6.5	8.2	9.9	11.6	13.2	10.9	13.2	15.5	17.8	20.5	17.8	26.0	33.0	40.0	48.0
Weight (kg)		81	74	94	100	172	168	183	221	228	175	185	198	217	241	213	217	275	301	365	240	242	319	632	632
Winding Thermal Time Const (sec)		0.02	0.03	0.04	0.05	0.03	0.06	0.08	0.10	0.10	0.13	0.06	0.10	0.14	0.18	0.21	0.09	0.16	0.23	0.30	0.35	0.30	0.54	0.72	0.99
Maximum Cogging (Nm)		Kt (Nm/A) 1.40																							
Rated Speed 2000 rpm		Ke (V/krpm) 85.5																							
Rated Torque (Nm)		1.1	2.1	3.0	3.8	2.2	4.0	5.5	6.9	8.2	8.2	3.2	6.1	8.7	10.8	14.0	5.9	10.3	14.6	18.4	21.3	20.0	36.9	50.4	▲
Continuous Stall Current (A)		0.9	1.6	2.3	2.8	1.7	3.1	4.3	5.4	6.5	6.5	2.6	4.8	6.8	8.9	11.0	4.6	7.8	11.0	14.2	16.8	15.7	29.5	42.1	
Rated Power (kW)		0.23	0.44	0.63	0.80	0.46	0.84	1.15	1.45	1.72	1.72	0.67	1.28	1.82	2.26	2.93	1.24	2.16	3.06	3.85	4.46	4.19	7.73	10.6	
R (ph-ph) (Ohms)		45.8	15.3	8.52	5.72	19.4	6.24	3.16	2.31	1.71	9.09	2.83	1.51	0.99	0.82	4.28	1.33	0.76	0.45	0.32	0.50	0.15	0.15	0.10	
L (ph-ph) (mH)		98.8	43.4	27.9	20.2	59.2	25.8	16.0	12.6	10.1	47.3	20.6	13.1	9.54	7.86	33.7	15.1	10.3	6.96	5.58	7.98	3.32	2.73		
Rated Speed 3000 rpm		Kt (Nm/A) 0.93																							
Rated Torque (Nm)		1.1	2.0	2.8	3.5	2.0	3.9	5.4	6.8	8.1	8.1	3.0	5.5	8.1	10.4	12.6	5.4	9.0	12.2	15.8	N/A	19.2	33.0	▲	N/A
Continuous Stall Current (A)		1.3	2.4	3.4	4.2	2.5	4.7	6.4	8.1	9.7	9.7	3.8	7.1	10.2	13.4	16.5	6.8	11.7	16.5	21.3	N/A	23.5	44.2		
Rated Power (kW)		0.35	0.63	0.88	1.10	0.63	1.23	1.70	2.14	2.54	0.94	1.73	2.54	3.27	3.96	4.96	1.70	2.83	3.83	4.96	N/A	6.03	10.4		
R (ph-ph) (Ohms)		18.9	6.26	3.50	2.38	8.03	2.68	1.57	1.03	0.77	4.01	1.30	0.73	0.47	0.37	1.90	0.59	0.31	0.20	0.20	N/A	0.25	0.08		
L (ph-ph) (mH)		42.5	18.4	11.9	8.82	25.6	12.0	7.91	5.60	4.65	20.1	9.16	6.07	4.26	3.49	15.0	6.85	4.20	1.94	N/A	N/A	3.98	1.87		
Rated Speed 4000 rpm		Kt (Nm/A) 0.72																							
Rated Torque (Nm)		1.0	1.7	2.3	2.9	1.8	3.0	4.0	4.9	5.7	5.7	2.5	4.7	6.3	7.5	▲	3.6	7.0	▲	N/A	N/A	N/A	N/A		
Continuous Stall Current (A)		1.7	3.1	4.4	5.5	3.3	6.0	8.3	10.5	12.6	12.6	4.9	9.2	13.1	17.3	▲	8.8	15.1	▲	N/A	N/A	N/A	N/A		
Rated Power (kW)		0.42	0.71	0.96	1.21	0.75	1.26	1.68	2.05	2.39	1.05	1.97	2.64	3.14	3.14	▲	1.51	2.93	▲	N/A	N/A	N/A	N/A		
R (ph-ph) (Ohms)		10.2	3.39	1.92	1.48	5.15	1.64	0.92	0.62	0.43	2.62	0.82	0.44	0.29	0.29	▲	1.20	0.36	▲	N/A	N/A	N/A	N/A		
L (ph-ph) (mH)		24.6	10.8	7.14	5.42	15.5	6.77	4.61	3.46	2.54	12.6	5.48	3.57	2.53	2.53	▲	9.45	4.08	▲	N/A	N/A	N/A	N/A		
Rated Speed 6000 rpm		Kt (Nm/A) 0.47																							
Rated Torque (Nm)		0.9	1.6	2.1	2.6	1.3	2.1	2.8	3.3	▲	2.2	4.0	▲	N/A	N/A	N/A	2.9	▲	N/A	N/A	N/A	N/A	N/A		
Continuous Stall Current (A)		2.6	4.8	6.7	8.4	5.0	9.3	12.7	16.2	▲	7.6	14.2	▲	N/A	N/A	N/A	13.6	▲	N/A	N/A	N/A	N/A	N/A		
Rated Power (kW)		0.57	1.01	1.32	1.63	0.82	1.32	1.76	2.07	▲	1.38	2.51	▲	N/A	N/A	N/A	1.82	▲	N/A	N/A	N/A	N/A	N/A		
R (ph-ph) (Ohms)		4.49	1.49	0.95	0.65	2.01	0.67	0.35	0.26	▲	0.96	0.30	▲	N/A	N/A	N/A	0.49	▲	N/A	N/A	N/A	N/A	N/A		
L (ph-ph) (mH)		10.7	4.73	3.10	2.33	6.41	3.01	1.77	1.40	▲	4.80	2.09	▲	N/A	N/A	N/A	3.96	▲	N/A	N/A	N/A	N/A	N/A		

N/A Not available  
 ▲ Consult factory  
 The information contained in this specification is for guidance only and does not form part of any contract.  
 CT Dynamics Limited have an ongoing process of development and reserve the right to change the specification without notice.

# Driving the world...



## Control Techniques Drive & Application Centres

### AUSTRALIA

Melbourne Application Centre  
A.C.N. 003 815 281  
Tel: 61 973 81777  
Fax: 61 9729 3200  
After Hours: 61 2 9963 5271

Sydney Drive Centre  
A.C.N. 003 815 281  
Tel: 61 2 9838 7222  
Fax: 61 2 9838 7764  
After Hours: 61 2 9963 5271

### AUSTRIA

Linz Drive Centre  
Tel: 43 7229 789480  
Fax: 43 7229 7894810  
After Hours: 43 7215 3502

### BELGIUM

Brussels Drive Centre  
Tel: 32 2725 2721  
Fax: 32 2725 4940

### CANADA

Toronto Drive Centre  
Tel: 1 905 475 4699  
Fax: 1 905 475 4694

### CHINA

Shanghai Drive Centre  
Tel: 86 21 5426 0668  
Fax: 86 21 5426 0669  
Beijing Application Centre  
Tel: 86 10 6592 5321 ext. 20  
Fax: 86 10 6500 3094

### CZECH REPUBLIC

Brno Drive Centre  
Tel: 420 541 192111  
Fax: 420 541 192115  
After Hours: 420 541 192119

### DENMARK

Copenhagen Drive Centre  
Tel: 45 4369 6100  
Fax: 45 4369 6101  
After Hours: 45 4369 6100

### FINLAND

Helsinki Drive Centre  
Tel: 358 985 2661  
Fax: 358 985 26823  
After Hours: 358 500 423271

### FRANCE

Leroy Somer  
Angoulême Drive Centre  
Tel: 33 5 4564 5454  
Fax: 33 5 4564 5400

### GERMANY

Control Techniques GmbH  
Meysstraße 20  
D-53773 Hennef  
Tel: 02242 877-0  
Fax: 02242 877 277  
After Hours: 0171 49 64 777

### HOLLAND

Control Techniques GmbH  
Röhrsdorfer Allee 14  
D-09247 Chemnitz  
Tel: 03722 5203-0  
Fax: 03722 5203-30  
After Hours: 0171 49 64 777

### HONG KONG

Hong Kong Application Centre  
Tel: 852 2979 5271  
Fax: 852 2979 5220

### HUNGARY

Budapest Drive Centre  
Tel: 361 431 1160  
Fax: 361 260 5483  
After Hours: 36 309 77 2663

### INDIA

Mumbai Application Centre  
Tel: 91 20 613 1954  
Fax: 91 20 612 3771

### INDONESIA

Kolkata Application Centre  
Tel: 91 33 357 5302/357 5306  
Fax: 91 33 357 3435  
After Hours: 91 33 358 3622

### ITALY

Milan Drive Centre  
Tel: 39 02575 751  
Fax: 39 02575 12858  
After Hours: 39 02575 751

### JAPAN

Tokyo Drive Centre  
Tel: 81 3 5462 1111  
Fax: 81 3 5462 1112  
After Hours: 81 3 5462 1113

### KOREA

Seoul Application Centre  
Tel: 82 2 557 7374  
Fax: 82 2 557 7301  
After Hours: 82 2 557 7374

### MALAYSIA

Kuala Lumpur Drive Centre  
Tel: 60 5634 9776  
Fax: 60 5633 9592  
After Hours: 60 12 333 835

### MEXICO

Mexico City Drive Centre  
Tel: 52 55 5622 1111  
Fax: 52 55 5622 1112  
After Hours: 52 55 5622 1113

### NORWAY

Via Copenhagen  
Drive Centre  
Tel: 45 4369 6100  
Fax: 45 4369 6101  
After Hours: 45 4369 6100

### IRELAND

Dublin Drive Centre  
Tel: 353 45 448200  
Fax: 353 45 433622

### ISRAEL

Tel Aviv Drive Centre  
Tel: 972 3 522 1111  
Fax: 972 3 522 1112  
After Hours: 972 3 522 1113

### ITALY

Milan Drive Centre  
Tel: 39 02575 751  
Fax: 39 02575 12858  
After Hours: 39 02575 751

### JAPAN

Tokyo Drive Centre  
Tel: 81 3 5462 1111  
Fax: 81 3 5462 1112  
After Hours: 81 3 5462 1113

### KOREA

Seoul Application Centre  
Tel: 82 2 557 7374  
Fax: 82 2 557 7301  
After Hours: 82 2 557 7374

### MALAYSIA

Kuala Lumpur Drive Centre  
Tel: 60 5634 9776  
Fax: 60 5633 9592  
After Hours: 60 12 333 835

### MEXICO

Mexico City Drive Centre  
Tel: 52 55 5622 1111  
Fax: 52 55 5622 1112  
After Hours: 52 55 5622 1113

### NORWAY

Via Copenhagen  
Drive Centre  
Tel: 45 4369 6100  
Fax: 45 4369 6101  
After Hours: 45 4369 6100

### REPUBLIC OF SOUTH AFRICA

Johannesburg Drive Centre  
Tel: 27 11 462 1740  
Fax: 27 11 462 1941  
After Hours: 27 11 462 1740

### RUSSIA

Moscow Application Centre  
Tel: 7 095 232 9472  
Fax: 7 095 956 4862

### SINGAPORE

Singapore Drive Centre  
Tel: 65 6468 8979  
Fax: 65 6468 6982

### SPAIN

Barcelona Drive Centre  
Tel: 34 93 680 1661  
Fax: 34 93 680 0903  
/34 93 680 2823  
After Hours: 34 610 554540

### SWITZERLAND

Lausanne Application Centre  
Tel: 41 21 637 7070  
Fax: 41 21 637 7071

### TAIWAN

Taipei Application Centre  
Tel: 886 22325 9555  
Fax: 886 22705 9131

### THAILAND

Bangkok Drive Centre  
Tel: 66 2580 7644  
Fax: 66 2591 4559  
A/Hours Sales: 66 1443 4095  
A/Hours Service: 66 1443 4098

### THAILAND

Bangkok Drive Centre  
Tel: 66 2580 7644  
Fax: 66 2591 4559  
A/Hours Sales: 66 1443 4095  
A/Hours Service: 66 1443 4098

### THAILAND

Bangkok Drive Centre  
Tel: 66 2580 7644  
Fax: 66 2591 4559  
A/Hours Sales: 66 1443 4095  
A/Hours Service: 66 1443 4098

### THAILAND

Bangkok Drive Centre  
Tel: 66 2580 7644  
Fax: 66 2591 4559  
A/Hours Sales: 66 1443 4095  
A/Hours Service: 66 1443 4098

### THAILAND

Bangkok Drive Centre  
Tel: 66 2580 7644  
Fax: 66 2591 4559  
A/Hours Sales: 66 1443 4095  
A/Hours Service: 66 1443 4098

### THAILAND

Bangkok Drive Centre  
Tel: 66 2580 7644  
Fax: 66 2591 4559  
A/Hours Sales: 66 1443 4095  
A/Hours Service: 66 1443 4098

### THAILAND

Bangkok Drive Centre  
Tel: 66 2580 7644  
Fax: 66 2591 4559  
A/Hours Sales: 66 1443 4095  
A/Hours Service: 66 1443 4098

### THAILAND

Bangkok Drive Centre  
Tel: 66 2580 7644  
Fax: 66 2591 4559  
A/Hours Sales: 66 1443 4095  
A/Hours Service: 66 1443 4098

### THAILAND

Bangkok Drive Centre  
Tel: 66 2580 7644  
Fax: 66 2591 4559  
A/Hours Sales: 66 1443 4095  
A/Hours Service: 66 1443 4098

### THAILAND

Bangkok Drive Centre  
Tel: 66 2580 7644  
Fax: 66 2591 4559  
A/Hours Sales: 66 1443 4095  
A/Hours Service: 66 1443 4098

### THAILAND

Bangkok Drive Centre  
Tel: 66 2580 7644  
Fax: 66 2591 4559  
A/Hours Sales: 66 1443 4095  
A/Hours Service: 66 1443 4098

### THAILAND

Bangkok Drive Centre  
Tel: 66 2580 7644  
Fax: 66 2591 4559  
A/Hours Sales: 66 1443 4095  
A/Hours Service: 66 1443 4098

### THAILAND

Bangkok Drive Centre  
Tel: 66 2580 7644  
Fax: 66 2591 4559  
A/Hours Sales: 66 1443 4095  
A/Hours Service: 66 1443 4098

### THAILAND

Bangkok Drive Centre  
Tel: 66 2580 7644  
Fax: 66 2591 4559  
A/Hours Sales: 66 1443 4095  
A/Hours Service: 66 1443 4098

### THAILAND

Bangkok Drive Centre  
Tel: 66 2580 7644  
Fax: 66 2591 4559  
A/Hours Sales: 66 1443 4095  
A/Hours Service: 66 1443 4098

Providence Drive Centre  
Tel: 1 401 333 3331  
Fax: 1 401 333 6330  
After Hours: 1 800 893 2321

### VIETNAM

Ho Chi Minh Application Centre  
Tel: 84 8 842 5157  
/84 8 849 1980  
Fax: 84 8 8425157