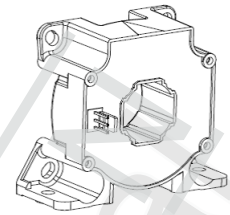


# Current Transducer LF 305-S

For the electronic measurement of currents: DC, AC, pulsed..., with galvanic separation between the primary circuit and the secondary circuit.

$I_{PN} = 300 \text{ A}$



## Electrical data

$I_{PN}$	Primary nominal rms current	300	A				
$I_{PM}$	Primary current, measuring range	0 .. $\pm 500$	A				
$R_M$	Measuring resistance @	$T_A = 70 \text{ }^\circ\text{C}$		$T_A = 85 \text{ }^\circ\text{C}$			
		$R_{M \text{ min}}$	$R_{M \text{ max}}$	$R_{M \text{ min}}$	$R_{M \text{ max}}$		
		with $\pm 12 \text{ V}$	@ $\pm 300 \text{ A}_{\text{max}}$	0	37	0	35
			@ $\pm 500 \text{ A}_{\text{max}}$	0	10	0	8
		with $\pm 15 \text{ V}$	@ $\pm 300 \text{ A}_{\text{max}}$	0	56	0	54
			@ $\pm 500 \text{ A}_{\text{max}}$	0	21	0	19
	with $\pm 20 \text{ V}$	@ $\pm 300 \text{ A}_{\text{max}}$	0	88	0	86	
		@ $\pm 500 \text{ A}_{\text{max}}$	0	40	0	38	
$I_{SN}$	Secondary nominal rms current	150	mA				
$K_N$	Conversion ratio	1 : 2000					
$U_C$	Supply voltage ( $\pm 5 \%$ )	$\pm 12 \dots 20$	V				
$I_C$	Current consumption	26 (@ $\pm 20 \text{ V}$ ) + $I_S$	mA				

## Features

- Closed loop (compensated) current transducer using the Hall effect
- Insulating plastic case recognized according to UL 94-V0.

## Advantages

- Excellent accuracy
- Very good linearity
- Low temperature drift
- Optimized response time
- Wide frequency bandwidth
- No insertion losses
- High immunity to external interference
- Current overload capability.

## Accuracy - Dynamic performance data

$X_G$	Overall accuracy @ $I_{PN}$ , $T_A = 25 \text{ }^\circ\text{C}$	$\pm 0.5$	%
$\epsilon_L$	Linearity error	$< 0.1$	%
$I_O$	Offset current @ $I_P = 0$ , $T_A = 25 \text{ }^\circ\text{C}$	Typ	Max
$I_{OM}$	Magnetic offset current <sup>1)</sup> @ $I_P = 0$ and specified $R_M$ after an overload of $3 \times I_{PN}$	$\pm 0.1$	$\pm 0.2$
$I_{OT}$	Temperature variation of $I_O$	- $10 \text{ }^\circ\text{C} \dots + 70 \text{ }^\circ\text{C}$	$\pm 0.1$ $\pm 0.3$
		- $40 \text{ }^\circ\text{C} \dots + 85 \text{ }^\circ\text{C}$	$\pm 0.2$ $\pm 0.7$
$t_{ra}$	Reaction time to 10 % of $I_{PN}$	$< 500$	ns
$t_r$	Step response time <sup>2)</sup> to 90 % of $I_{PN}$	$< 1$	$\mu\text{s}$
$di/dt$	$di/dt$ accurately followed	$> 100$	A/ $\mu\text{s}$
$BW$	Frequency bandwidth (-1 dB)	DC .. 100	kHz

## Applications

- AC variable speed drives and servo motor drives
- Static converters for DC motor drives
- Battery supplied applications
- Uninterruptible Power Supplies (UPS)
- Switched Mode Power Supplies (SMPS)
- Power supplies for welding applications.

## General data

$T_A$	Ambient operating temperature	- 40 .. + 85	$^\circ\text{C}$
$T_S$	Ambient storage temperature	- 40 .. + 85	$^\circ\text{C}$
$R_S$	Resistance of secondary winding @ $T_A = 70 \text{ }^\circ\text{C}$	30	$\Omega$
		@ $T_A = 85 \text{ }^\circ\text{C}$	32
$m$	Mass	95	g
	Standards	EN 50178: 1997	
		UL 508: 2010	

## Application domain

- Industrial.

Notes:<sup>1)</sup> The result of the coercive field of the magnetic circuit

<sup>2)</sup> With a  $di/dt$  of 100 A/ $\mu\text{s}$ .

## Current Transducer LF 305-S

### Insulation coordination

$U_d$	Rms voltage for AC insulation test, 50 Hz, 1 min	3.8	kV
$\hat{U}_w$	Impulse withstand voltage 1.2/50 $\mu$ s	10	kV
		Min	
$d_{Cp}$	Creepage distance	11.1	mm
$d_{Cl}$	Clearance	10.6	mm
$CTI$	Comparative tracking index (group IIIa)	175	

### Applications examples

According to EN 50178 and IEC 61010-1 standards and following conditions:

- Over voltage category OV 3
- Pollution degree PD2
- Non-uniform field

	EN 50178	IEC 61010-1
$d_{Cp}, d_{Cl}, \hat{U}_w$	Rated insulation voltage	Nominal voltage
Basic insulation	1000 V	1000 V
Reinforced insulation	500 V	500 V

### Safety

This transducer must be used in limited-energy secondary circuits according to IEC 61010-1.



This transducer must be used in electric/electronic equipment with respect to applicable standards and safety requirements in accordance with the manufacturer's operating instructions.



Caution, risk of electrical shock

When operating the transducer, certain parts of the module can carry hazardous voltage (eg. primary busbar, power supply).

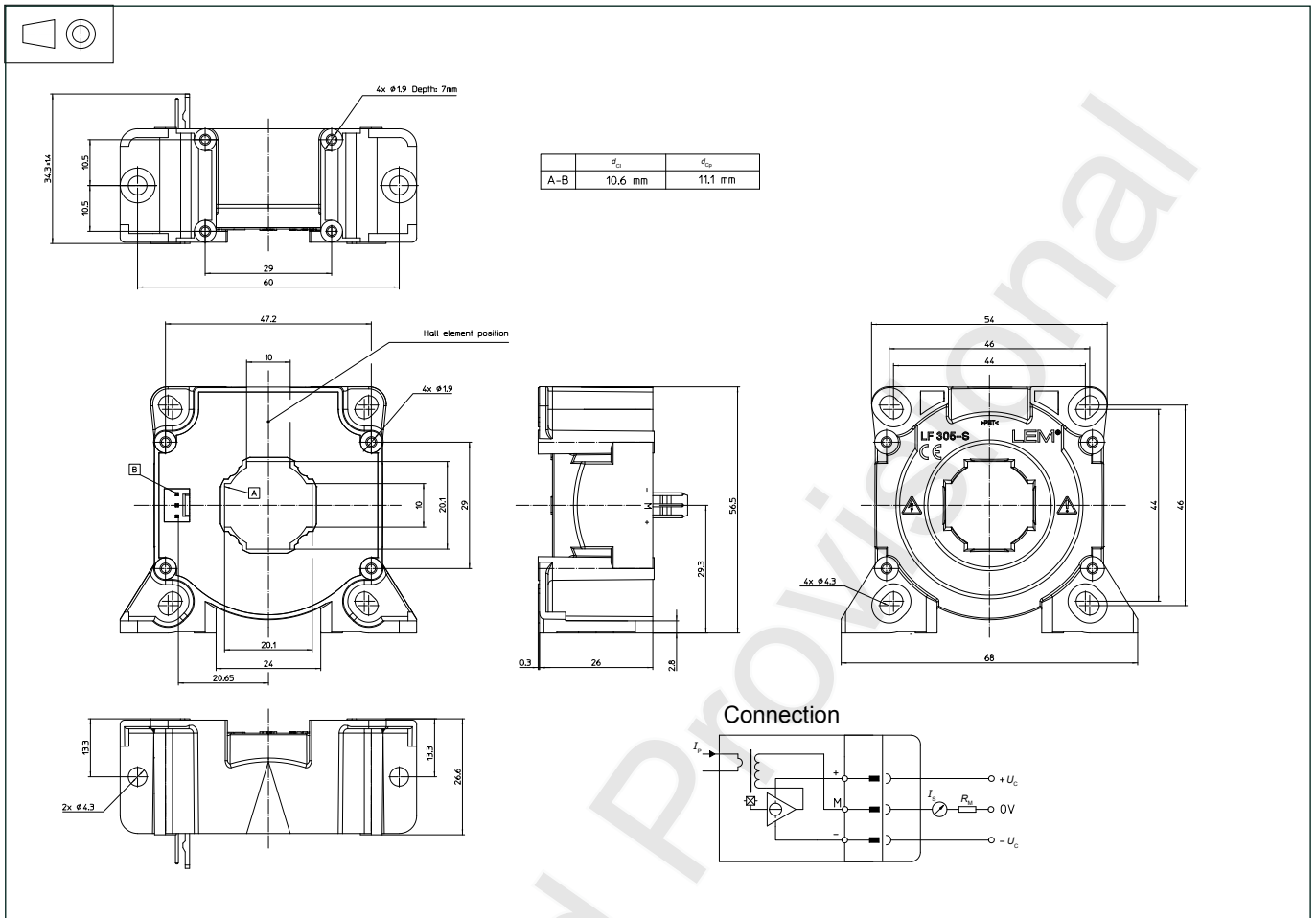
Ignoring this warning can lead to injury and/or cause serious damage.

This transducer is a build-in device, whose conducting parts must be inaccessible after installation.

A protective housing or additional shield could be used.

Main supply must be able to be disconnected.

## Dimensions LF 305-S (in mm)



### Mechanical characteristics

- General tolerance  $\pm 0.5$  mm
- Transducer fastening
  - Vertical position
    - 2 holes  $\varnothing 4.3$  mm
    - 2 M4 steel screws
  - Recommended fastening torque 3.2 N·m
  - or
    - 4 holes  $\varnothing 1.9$  mm, depth: 7 mm
    - 4 PTKA 25 screws, length: 6 mm
  - Recommended fastening torque 0.7 N·m
- Transducer fastening
  - Horizontal position
    - 4 holes  $\varnothing 4.3$  mm
    - 4 M4 steel screws
  - Recommended fastening torque 3.2 N·m
  - or
    - 4 holes  $\varnothing 1.9$  mm crossing
    - 4 PTKA 25 screws, length: 10 mm
  - Recommended fastening torque 0.75 N·m
- Primary through-hole  $\varnothing 20.1$  mm
- Connection of secondary
  - Molex 6410
  - 3 Tin plated pins

### Remarks

- $I_s$  is positive when  $I_p$  flows in the direction of the arrow.
- Temperature of the primary conductor should not exceed 100 °C.
- Installation of the transducer must be done unless otherwise specified on the datasheet, according to LEM Transducer Generic Mounting Rules. Please refer to LEM document N°ANE120504 available on our Web site: [Products/Product Documentation](#).
- Dynamic performances ( $di/dt$  and response time) are best with a single bar completely filling the primary hole.