

E3FA/B_-F2

Special family with inverted output logic

- Fully compatible with previous E3F2 family
- Simple installation due to compact format
- Wide variety of models



Ordering Information

E3FA/B straight types (PNP output) [Refer to *Dimensions on page 8.*]

Red light Infrared light

Sensor type	Sensing distance	Connection method	Model	
			Plastic housing	Metal housing
Through-beam ¹ 	20 m	pre-wired	E3FA-TP11-F2 2M	E3FB-TP11-F2 2M
		M12 connector	E3FA-TP21-F2	E3FB-TP21-F2
Retro-reflective with MSR function ² 	0.1 to 4 m with E39-R1S	pre-wired	E3FA-RP11-F2 2M	E3FB-RP11-F2 2M
		M12 connector	E3FA-RP21-F2	E3FB-RP21-F2
Diffuse-reflective 	100 mm	pre-wired	E3FA-DP11-F2 2M	E3FB-DP11-F2 2M
		M12 connector	E3FA-DP21-F2	E3FB-DP21-F2
	300 mm	pre-wired	E3FA-DP12-F2 2M	E3FB-DP12-F2 2M
		M12 connector	E3FA-DP22-F2	E3FB-DP22-F2
	1 m	pre-wired	E3FA-DP13-F2 2M	E3FB-DP13-F2 2M
		M12 connector	E3FA-DP23-F2	E3FB-DP23-F2
	100 mm	pre-wired	E3FA-DP14-F2 2M	E3FB-DP14-F2 2M
		M12 connector	E3FA-DP24-F2	E3FB-DP24-F2
	300 mm	pre-wired	E3FA-DP15-F2 2M	E3FB-DP15-F2 2M
		M12 connector	E3FA-DP25-F2	E3FB-DP25-F2
	1 m	pre-wired	E3FA-DP16-F2 2M	E3FB-DP16-F2 2M
		M12 connector	E3FA-DP26-F2	E3FB-DP26-F2
BGS (background suppression) 	100 mm	pre-wired	E3FA-LP11-F2 2M	E3FB-LP11-F2 2M
		M12 connector	E3FA-LP21-F2	E3FB-LP21-F2
	200 mm	pre-wired	E3FA-LP12-F2 2M	E3FB-LP12-F2 2M
		M12 connector	E3FA-LP22-F2	E3FB-LP22-F2

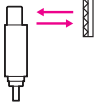

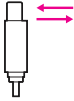


¹ The set type includes the emitter and receiver.

² The Reflector is sold separately. Select the Reflector model most suited to the application.

E3FA/B_-F2

E3RA/B radial types (PNP output) [Refer to Dimensions on page 8.]

 Red light

Sensor type	Sensing distance	Connection method	Model	
			Plastic housing	Metal housing
Retro-reflective with MSR function ^{*1} 	 0.1 to 3 m with E39-R1S	pre-wired	E3RA-RP11-F2 2M	E3RB-RP11-F2 2M
		M12 connector	E3RA-RP21-F2	E3RB-RP21-F2
Diffuse-reflective 	 100 mm	pre-wired	E3RA-DP11-F2 2M	E3RB-DP11-F2 2M
		M12 connector	E3RA-DP21-F2	E3RB-DP21-F2
	 300 mm	pre-wired	E3RA-DP12-F2 2M	E3RB-DP12-F2 2M
		M12 connector	E3RA-DP22-F2	E3RB-DP22-F2

^{*1} The Reflector is sold separately. Select the Reflector model most suited to the application.