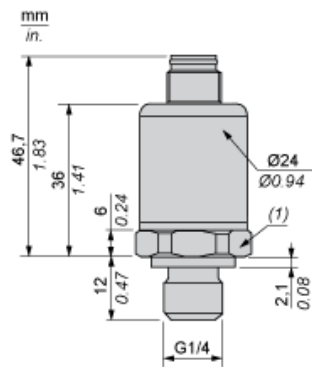


Dimensions



(1) SW24 tightening torque  $\leq$  25 N.m / 221 lb-in

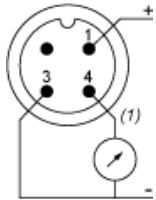
---

## Connection and Schema

---

### Wiring Diagram

3-Wire Technique (0-10 V DC or 0.5-4.5 V DC)



(1) V out