

# Low Voltage Fuse Links

## D0 Series Fuse Bases



The fuse bases D0 are planned to be built into distribution boxes in domestic installations. Total security against parts under voltage is achieved by installing D0 fuse bases into domestic or industrial distributions boards. Ceramic fuse-bases are tested and certified according to IEC 60269-3-1, DIN EN 60269-1, DIN EN 60269-3 and DIN VDE 0636-301.

### Advantages

Modular construction- module 9mm.

Smaller weight and smaller height (66mm) provide installation into the flush-mounting distribution boxes, the depth of which is 80mm only by the usage of gauge-piece key it is possible to change the gauge rings under voltage the possibility of simple substitution of base D0 1 with D0 2.





### Specifications:

Rated current : 16 to 63A.

### Technical data

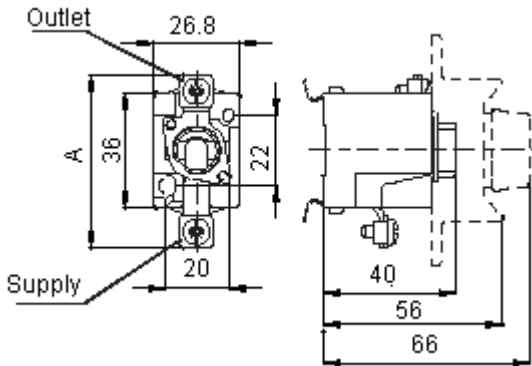
Description	
Rated voltage $U_n$	400V ac
Rated current $I_n$	D01: 16A, D02: 63A
Cross-section of connecting lead	D01: -4mm <sup>2</sup> , D02: 1.5 - 25mm <sup>2</sup>
Connection clamp	With Screw + PZ
Standards	IEC 60269, EN 60269
	DINVDE 0636, SISTEN 60269

### 1-pole fuse base D0

Type	Connections		Cross-section of connecting lead [mm <sup>2</sup> ]	Dimension A [mm]
	Outlet	Supply		
D01N-K	 M4	 M4	1.5 to 4	53
D02N-K	 2xM5	 2xM5	2.5 to 25	57

# Low Voltage Fuse Links

## D0 Series Fuse Bases



### Specification Table

Description	Type	$I_n$ [A]	Screw	With protection cover	Without protection cover	Click-on mounting	Screw mounting	Part Number
Fuse Base, D01, Single Pole	D01N-K	16	E14	0	-	X	-	2221011
Fuse Base, D02, Single Pole	D02N-K	63	E18					2222011

**Disclaimer** This data sheet and its contents (the "Information") belong to the Premier Farnell Group (the "Group") or are licensed to it. No licence is granted for the use of it other than for information purposes in connection with the products to which it relates. No licence of any intellectual property rights is granted. The Information is subject to change without notice and replaces all data sheets previously supplied. The Information supplied is believed to be accurate but the Group assumes no responsibility for its accuracy or completeness, any error in or omission from it or for any use made of it. Users of this data sheet should check for themselves the Information and the suitability of the products for their purpose and not make any assumptions based on information included or omitted. Liability for loss or damage resulting from any reliance on the Information or use of it (including liability resulting from negligence or where the Group was aware of the possibility of such loss or damage arising) is excluded. This will not operate to limit or restrict the Group's liability for death or personal injury resulting from its negligence. SPC Multicomp is the registered trademark of the Group. © Premier Farnell plc 2009.

<http://www.farnell.com>  
<http://www.newark.com>  
<http://www.cpc.co.uk>

