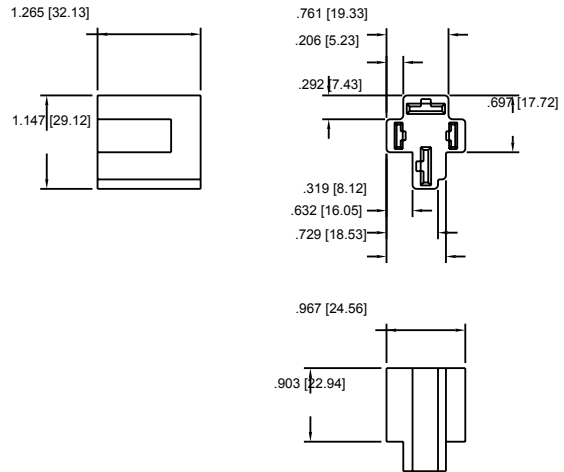


# DZ Series

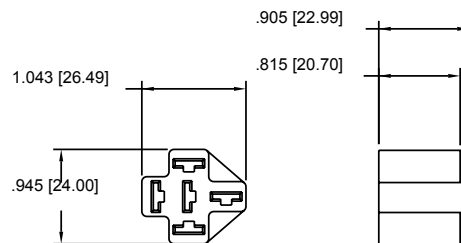
Automotive relay sockets



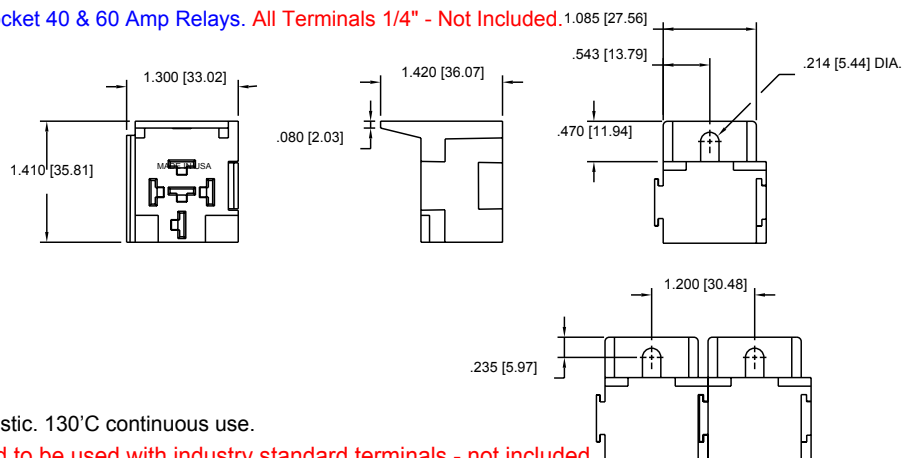
**DZ85-4-WH** 4 Pin Cable Socket for 80 & 100 Amp Relays. Load Terminals 3/8", Coil Terminals 1/4" - Not Included.



**DZ85AB-5-WH1** 5 Pin Cable Socket for 40 & 60 Amp Relays. All Terminals 1/4" - Not Included.



**DZ85AB-5-WH2** 5 Pin Cable Socket 40 & 60 Amp Relays. All Terminals 1/4" - Not Included.



Construction: Heat stabilized Thermoplastic. 130°C continuous use.

The DZ85-WH Housings are designed to be used with industry standard terminals - not included.

Typical suitable Terminals:

FCI Automotive	JW-1230-2	12-14 AWG	1/4" Blade
FCI Automotive	JW-1630-2	16-18 AWG	1/4" Blade
AMP	42100	14-18 AWG	1/4" Blade
AMP	42281	14-18 AWG	1/4" Blade
AMP	42904	12-16 AWG	1/4" Blade
AMP	60249	12-16 AWG	1/4" Blade
AMP	280756-4	10-12 AWG	3/8" Blade

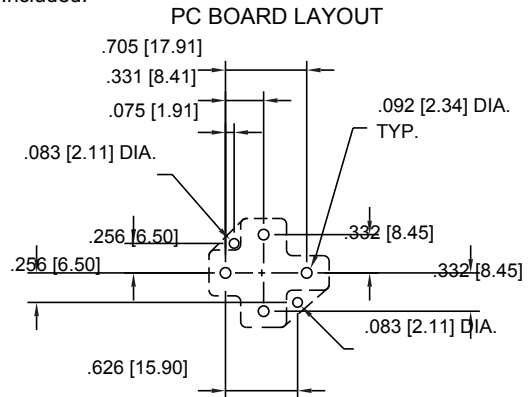


# DZ Series

Automotive relay sockets



DZ85AB-4-PCB 4 Pin PCB Socket for 40 & 60 Amp Relays - Pins are Included.



DZ85AB-5-PCB 5 Pin PCB Socket for 40 & 60 Amp Relays - Pins are Included.

