

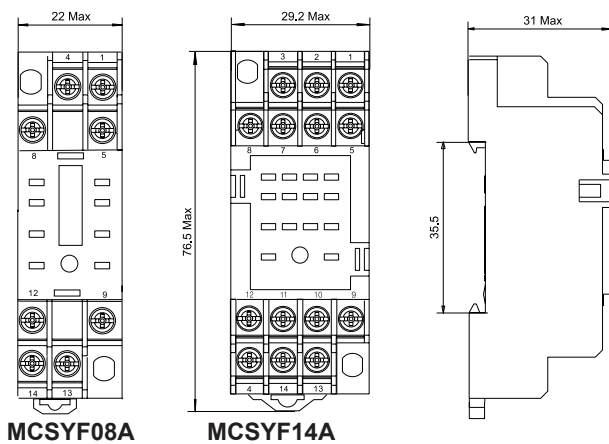
# Relay Socket



## Specifications

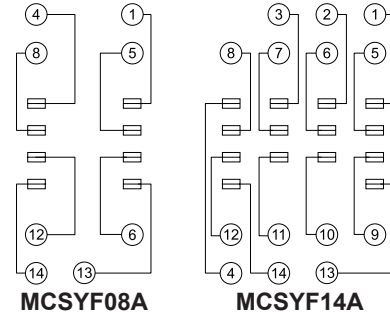
Part Number		MCSYF08A	MCSYF14A
Nominal load	Current	10A	7A
	Voltage	300V	
Dielectric Strength		2,000V/S	
Max. Tightening torque		1Nm	
External Connection Wire		20~14/0.5~2.5 AWG/mm <sup>2</sup>	
Ambient Temperature		-45°C to +65°C	
Weight		34g	56g

## Dimensions



Dimensions : Millimetres

## Wiring Diagram



## Part Number Table

Description	Part Number
Socket for JQX-13F-KE2C Relay	MCSYF08A
Socket for JQX-13F-KE4C Relay	MCSYF14A

**Important Notice :** This data sheet and its contents (the "Information") belong to the members of the Premier Farnell group of companies (the "Group") or are licensed to it. No licence is granted for the use of it other than for information purposes in connection with the products to which it relates. No licence of any intellectual property rights is granted. The Information is subject to change without notice and replaces all data sheets previously supplied. The Information supplied is believed to be accurate but the Group assumes no responsibility for its accuracy or completeness, any error in or omission from it or for any use made of it. Users of this data sheet should check for themselves the Information and the suitability of the products for their purpose and not make any assumptions based on information included or omitted. Liability for loss or damage resulting from any reliance on the Information or use of it (including liability resulting from negligence or where the Group was aware of the possibility of such loss or damage arising) is excluded. This will not operate to limit or restrict the Group's liability for death or personal injury resulting from its negligence. Multicomp is the registered trademark of the Group. © Premier Farnell Limited 2016.

www.element14.com  
www.farnell.com  
www.newark.com

