



### Main

|                               |                |
|-------------------------------|----------------|
| Commercial Status             | Commercialised |
| Range of product              | Zelio Relay    |
| Product or component type     | Socket         |
| Device short name             | SSLZ           |
| Sale per indivisible quantity | 10             |

### Complementary

|  |  |
|--|--|
| Contact terminal arrangement                             | Separate   |
| Product compatibility                                    | Solid state relay SSL with NO contact at 230 V DC<br>Solid state relay SSL with NO contact at 230 V AC   |
| Shape of pin   | Flat   |
| [I <sub>th</sub> ] conventional free air thermal current | 6 A  |
| [I <sub>th</sub> ] conventional free air thermal current | 6 A  |
| [U <sub>e</sub> ] rated operational voltage              | < 250 V AC/DC  |
| Connections - terminals                                  | Spring terminals 1 x 0.2...1 x 1.5 mm <sup>2</sup> - AWG 24...AWG 16 , flexible cable with cable end<br>Spring terminals 1 x 0.2...1 x 1.5 mm <sup>2</sup> - AWG 24...AWG 16 , solid cable without cable end |
| Clamping force   | 10...40 N  |
| Fixing mode  | By clip-on 35 mm DIN rail  |
| Switching voltage  | 230 V AC/DC  |
| Local signalling   | LED green for input status   |
| Width  | 6.2 mm   |
| Height   | 101 mm   |
| Depth  | 78.6 mm  |
| Product weight   | 0.0285 kg  |

### Environment



|                                     |  |
|-------------------------------------|--|
| Flame retardance                    | V0 conforming to UL 94                     |
| Standards                           | IEC 61984                                  |
| Product certifications              | CSA C22-2 No 14<br>RoHS<br>UL 508<br>REACH |
| Marking                             | CE   |
| Ambient air temperature for storage | -40...85 °C                                |

|                                       |             |
|---------------------------------------|-------------|
| Ambient air temperature for operation | -40...70 °C |
| IP degree of protection               | IP20        |
| Dielectric strength                   | 2500 V      |

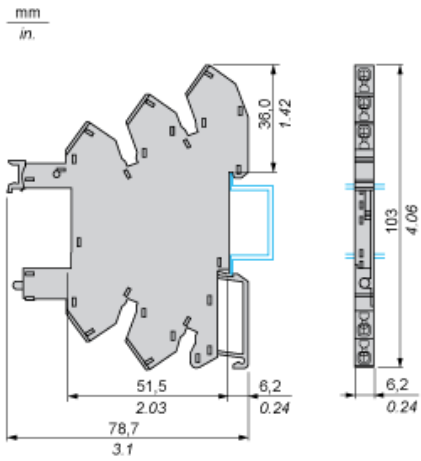
### Ordering and shipping details

|                       |                               |
|-----------------------|-------------------------------|
| Category              | 21127 - ZELIO ICE CUBE RELAYS |
| Discount Schedule     | CP2                           |
| GTIN                  | 00785901978466                |
| Nbr. of units in pkg. | 10                            |
| Package weight(Lbs)   | 0.06                          |
| Returnability         | N                             |
| Country of origin     | CN                            |

### Offer Sustainability

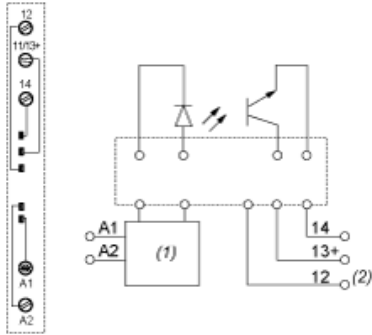
|                                  |  |
|----------------------------------|--|
| Sustainable offer status         | Green Premium product  |
| REACH                            | Reference contains SVHC above the threshold - <a href="#">go to CaP for more details</a>   |
| Product environmental profile    | Available  <a href="#">Download Product Environmental</a> |
| Product end of life instructions | Available  <a href="#">Download End Of Life Manual</a>    |

Dimensions



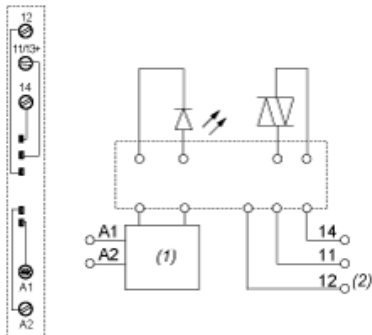
Wiring Diagram

Wiring Diagram for DC Output



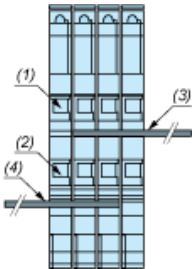
- (1) Protection circuit
- (2) Terminal 12 is not in use for SSL Relay

Wiring Diagram for AC Output



- (1) Protection circuit
- (2) Terminal 12 is not in use for SSL Relay

Example of RSLZ2 Bus Jumper Mounting on Sockets



- (1) A1
- (2) A2
- (3) Bus jumper polarity A1
- (4) Bus jumper polarity A2