

Technical data

Output circuits

Type	CR-UxS		CR-U3E	CR-UxSM
	CR-U2S	CR-U3S		
Output circuits	11-12/14, 21-22/24,...			
Number of poles	2 or 3		3	2 or 3
Rated voltage	250 V AC		300 V AC	250 V
Rated current	10 A			

General data

Dimensions without holder and module (L x W x H)	75.3 x 37.3 x 26 mm (2.965 x 1.469 x 1.024 in)	75.3 x 38.1 x 26 mm (2.965 x 1.500 x 1.024 in)	70 x 38 x 26 mm (2.756 x 1.496 x 1.024 in)	61.8 x 38.1 x 26 mm (2.756 x 1.500 x 1.024 in)	
Degree of protection	terminals	IP 20 B (EN 60529)			
Temperature range	operation	-40...+70 °C		-40...+70 °C	
	storage	-40...+70 °C		-40...+70 °C	
Connecting capacity	rigid	2 x 0.5-2.5 mm ²			
	fine-strand	(2 x 20-14 AWG)			
	with wire	2 x 0.5-1.5 mm ²		2 x 0.5-1.5 mm ²	
	end ferrule	(2 x 20-16 AWG)		(2 x 20-16 AWG)	
Stripping length	7 mm (0.28 in)				
Tightening torque	0.6 Nm		0.8 Nm	0.6 Nm	
Mounting	DIN rail (IEC/EN 60715)				
Material	socket	PA 6+GF - V2		PA 6+GF - V2	
	contacts	CuZn33			CuZn37
	contact surface	6 μ Ni			3 μ Ni
	terminals	8 μ Ni		8 μ galvanized	10 μ Ni
	combi screw M3	8.8 Steel, 5μ Ni			Steel, 8 μ Ni

Isolation data

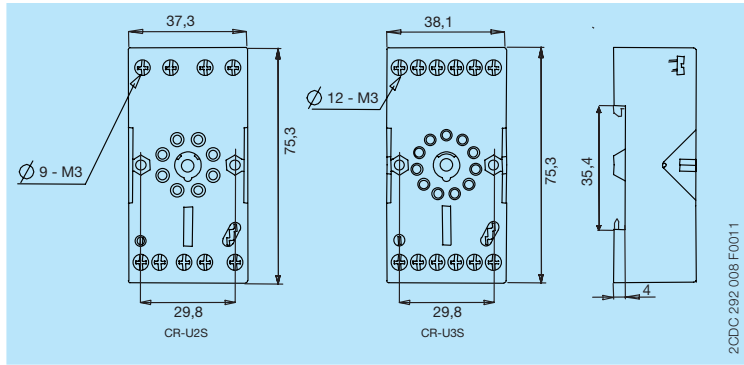
Insulation voltage	> 2 kV
Isolation between coil and contacts	IEC/EN 61984
Clearance and creepage distance	IEC/EN 61984

Standards / Directives

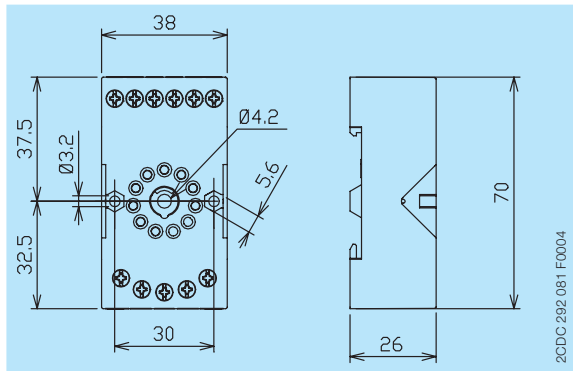
Standards	IEC/EN 61984
Low Voltage Directive	2014/35/EU
RoHS Directive	2011/65/EU

Dimensions

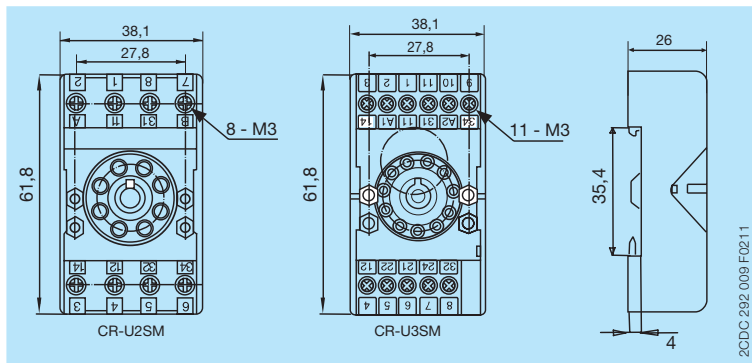
in mm



CR-UxS



CR-U3E



CR-UxSM

Further documentation

Document title	Document type	Document number
Electronic Products and Relays	Technical catalogue	2CDC 110 004 C020x
Relays CR-U	Data sheet	2CDC 117 003 D020x
Pluggable function modules CR-U	Data sheet	2CDC 117 008 D020x
Pluggable time module CR-U T	Data sheet	2CDC 117 010 D020x

You can find the documentation on the internet at www.abb.com/lowvoltage
 -> Automation, control and protection -> Electronic relays and controls
 -> Interface relays and optocouplers.

CAD system files

You can find the CAD files for CAD systems at <http://abb-control-products.partcommunity.com>
 -> Low Voltage Products & Systems -> Control Products -> Electronic Relays and Controls.