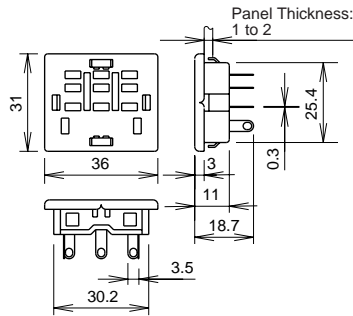


## SH Series: Panel Mount Sockets, continued

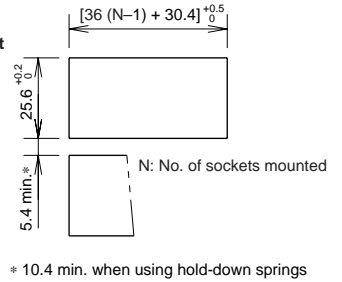
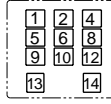


### SH3B-51

<b>Style</b>	11-blade, panel mount
<b>Terminal</b>	Solder
<b>Electrical Rating</b>	300V, 10A
<b>Compatible Relay</b>	RH3B, *RH2LB (*latching relay)
<b>Hold-Down Spring</b>	SY4S-51F1 SY4S-02F1 for RH3B-4C
<b>Hold-Down Clip</b>	SFA-301 (top notch), SFA-302 (side notch)

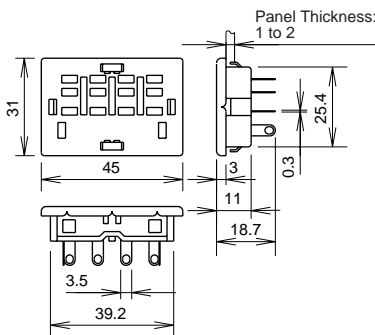


#### Terminal Arrangement

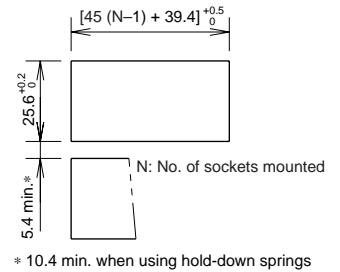
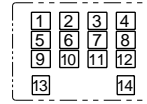


### SH4B-51

<b>Style</b>	14-blade, panel mount
<b>Terminal</b>	Solder
<b>Electrical Rating</b>	300V, 10A
<b>Compatible Relay</b>	RH4B
<b>Hold-Down Spring</b>	SY4S-51F1, SY4S-02F1
<b>Hold-Down Clip</b>	SFA-301, SFA-302



#### Terminal Arrangement



All dimensions are in mm.



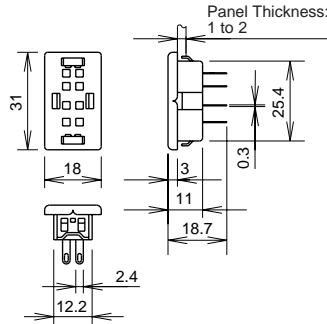
1. For socket mounting accessories, see page F-29.
2. For hold-down clip/spring selections, see page F-4.

**SY Series: Panel Mount Sockets**

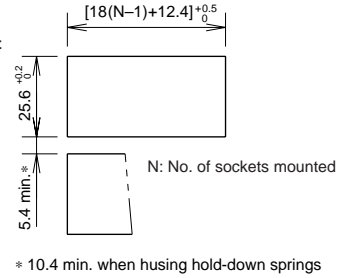
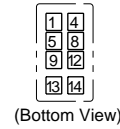


**SY2S-51**

<b>Style</b>	8-blade, panel mount
<b>Terminal</b>	Solder
<b>Electrical Rating</b>	300V, 7A
<b>Compatible Relay</b>	RY2S, RY22S
<b>Hold-Down Spring</b>	SY4S-51F1
<b>Hold-Down Clip</b>	SFA-301 (top notch), SFA-302 (side notch)



**Terminal Arrangement**

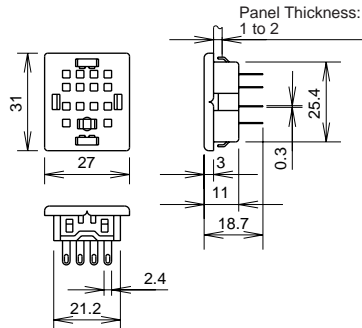


**F**  
**Sockets**

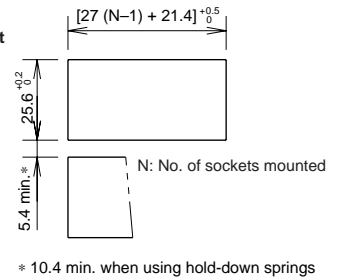
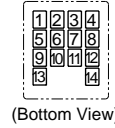


**SY4S-51**

<b>Style</b>	14-blade, panel mount
<b>Terminal</b>	Solder
<b>Electrical Rating</b>	300V, 7A
<b>Compatible Relay</b>	RY4S, RY42S, RM2S, RY2KS, RU4S, RU2S, RU42S
<b>Compatible Timer</b>	GT5Y
<b>Hold-Down Spring</b>	SY4S-51F1 for all relays except; SY4S-02F3 for RY2KS relay
<b>Hold-Down Clip</b>	SFA-301 (top notch), SFA-302 (side notch)



**Terminal Arrangement**



All dimensions are in mm.



1. For socket mounting accessories, see page F-29.
2. For hold-down clip/spring selections, see page F-4.