

Category according to EN 13849-1	2
	4
Stop category	0
Name	Air and creepage distances between the power circuits
Standards/regulations	DIN EN 50178/VDE 0160
Rated surge voltage / insulation	4 kV / Basic isolation, (safe isolation, reinforced insulation and 6 kV between input circuit and enabling current paths.)
Rated insulation voltage	250 V
Pollution degree	2
Surge voltage category	III

#### Connection data

Conductor cross section solid min.	0.2 mm <sup>2</sup>
Conductor cross section solid max.	1.5 mm <sup>2</sup>
Conductor cross section stranded min.	0.2 mm <sup>2</sup>
Conductor cross section stranded max.	1.5 mm <sup>2</sup>
Conductor cross section AWG/kcmil min.	24
Conductor cross section AWG/kcmil max	16
Stripping length	8 mm
Connection method	Spring-cage conn.

#### Certificates



Certification

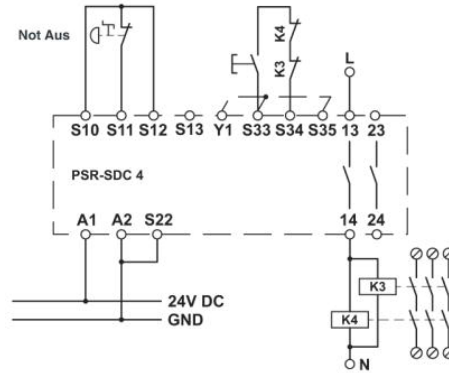
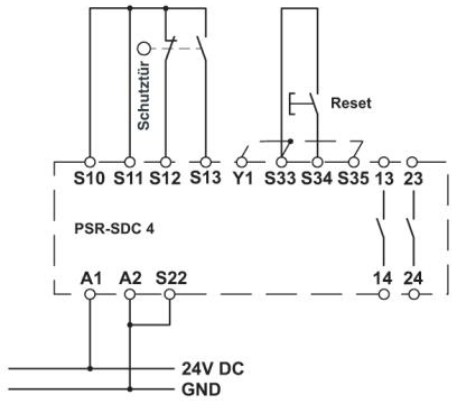
CUL Listed, GOST, TUEV-RH, UL Listed

#### Accessories

Item	Designation	Description
<b>General</b>		
2890425	PSR-TBUS	PSR-TBUS DIN rail connector, for supplying/controlling/monitoring (depending on the module)
2981716	PSR-TBUS-TP	

Drawings

Diagram



Circuit diagram

